

US00D501602S

(12) **United States Design Patent** (10) **Patent No.:** **US D501,602 S**
Karlsson et al. (45) **Date of Patent:** **** Feb. 8, 2005**

(54) **DIAPER BAG**

(76) Inventors: **Georgia Izzo Karlsson**, P.O. Box 422, Hoolehua, HI (US) 96729; **Daniel Karlsson**, P.O. Box 422, Hoolehua, HI (US) 96729

(**) Term: **14 Years**

(21) Appl. No.: **29/184,000**

(22) Filed: **Jun. 19, 2003**

(51) **LOC (7) Cl.** **03-01**

(52) **U.S. Cl.** **D3/287; D3/283; D3/255**

(58) **Field of Search** **D3/273, 276, 283, D3/284, 285, 287, 289, 290; 190/109, 111, 112; 383/38, 40**

(56) **References Cited**

U.S. PATENT DOCUMENTS

4,506,854 A	3/1985	Kim	
4,834,235 A	5/1989	Solheim et al.	
D305,957 S	* 2/1990	Cruger et al.	D3/283
D316,012 S	* 4/1991	Christopher	D7/605
D316,779 S	* 5/1991	Henrickson et al.	D3/255
D326,772 S	* 6/1992	Kennedy	D3/233
D390,700 S	* 2/1998	Miller et al.	D3/246
5,743,649 A	* 4/1998	Gonzalez	383/6
5,829,835 A	* 11/1998	Rogers et al.	297/256.17
5,971,409 A	10/1999	Butz	
D419,763 S	* 2/2000	Wiebe	D3/233
D427,768 S	* 7/2000	Bogert	D3/279
6,196,718 B1	3/2001	DeChant	
6,298,993 B1	* 10/2001	Kalozdi	206/581
D453,875 S	* 2/2002	Schmitt, Jr.	D3/255
6,390,295 B2	5/2002	Rhee	
D459,070 S	6/2002	DeChant	

OTHER PUBLICATIONS

Great Golf Deals website, <www.greatgolfdeals.com/best-babygifts.html>, accessed Dec. 15, 2002.

* cited by examiner

Primary Examiner—Philip S. Hyder

(74) *Attorney, Agent, or Firm*—Frank Z. Yang

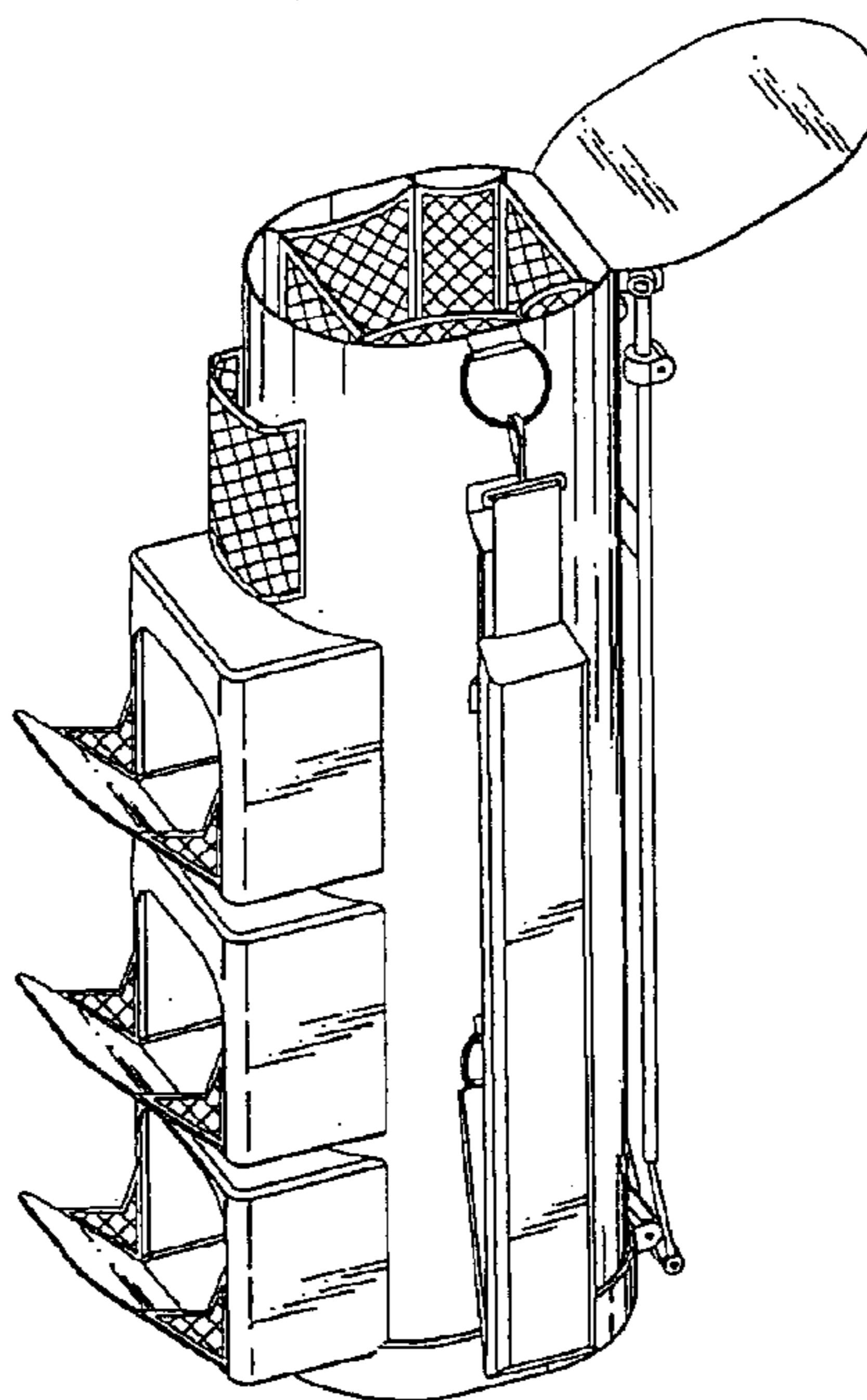
(57) **CLAIM**

The ornamental design for a diaper bag, as shown and described.

DESCRIPTION

Applicants claim benefit of priority from pending U.S. patent application Ser. No. 10/324,217 filed Dec. 20, 2002. FIG. 1 is a side view of a diaper bag having the appearance of a golf bag in accordance with the invention; FIG. 2 is a top view thereof with the cover open; FIG. 3 is a perspective view thereof with the covers open, and with the stand extended; FIG. 4 is a perspective view thereof with the covers open; FIG. 5 is a perspective view of the bottom thereof; FIG. 6 is another perspective view thereof with the covers open, and with the stand extended; FIG. 7 is a perspective view thereof with the covers closed, and with the stand extended; FIG. 8 is a side view thereof with the covers closed; FIG. 9 is another side view thereof; FIG. 10 is another side view thereof; FIG. 11 is a top view thereof with the covers closed; FIG. 12 is another perspective view thereof with the covers open; and, FIG. 13 is another perspective view thereof, with the covers open, and the stand extended.

1 Claim, 7 Drawing Sheets



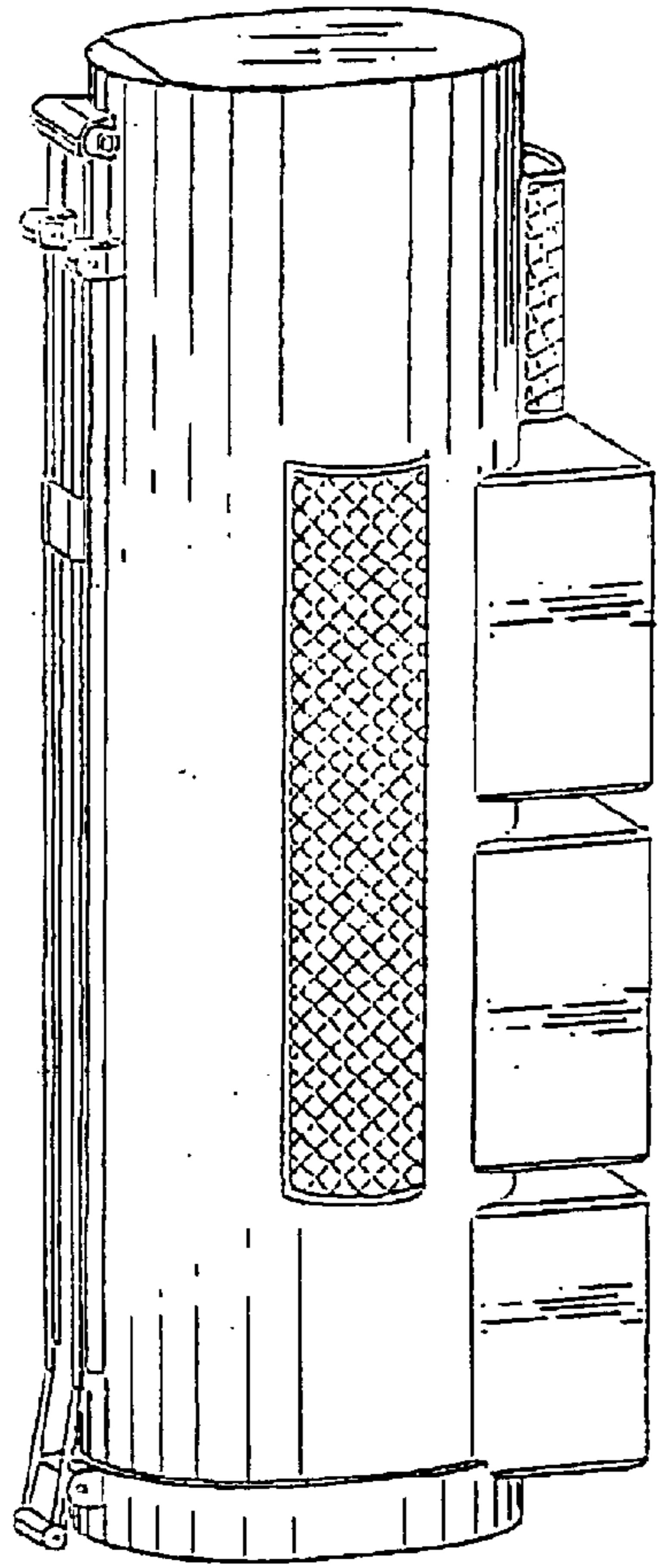


Fig. 1

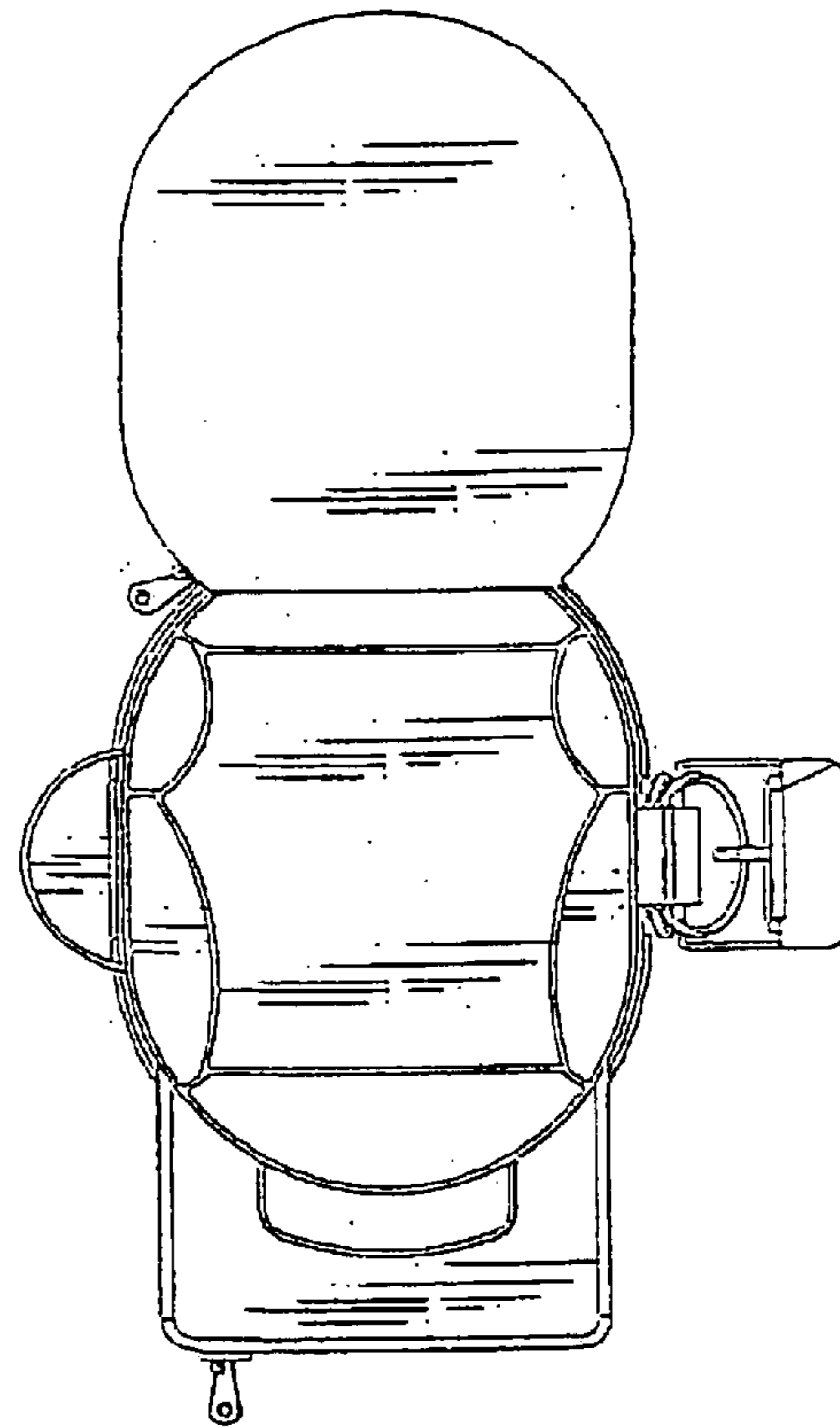


Fig. 2

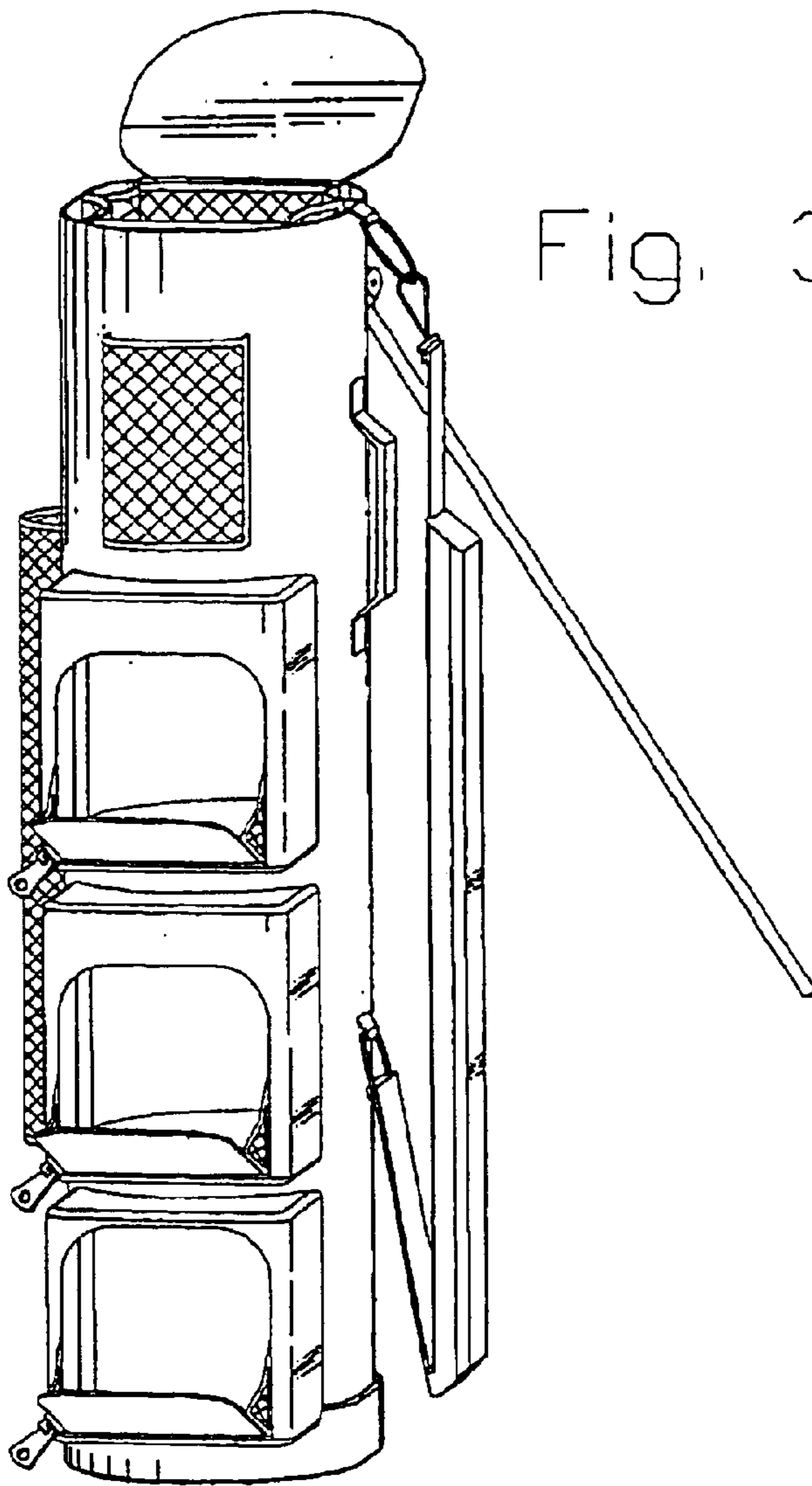


Fig. 3

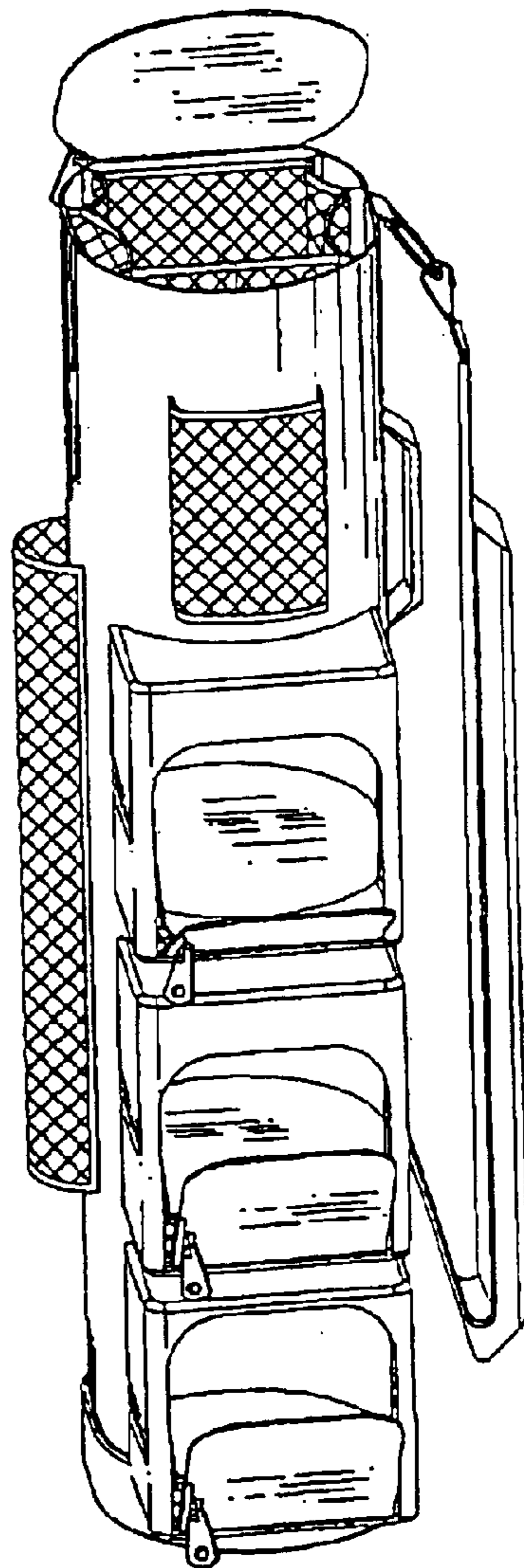


Fig. 4

Fig. 5

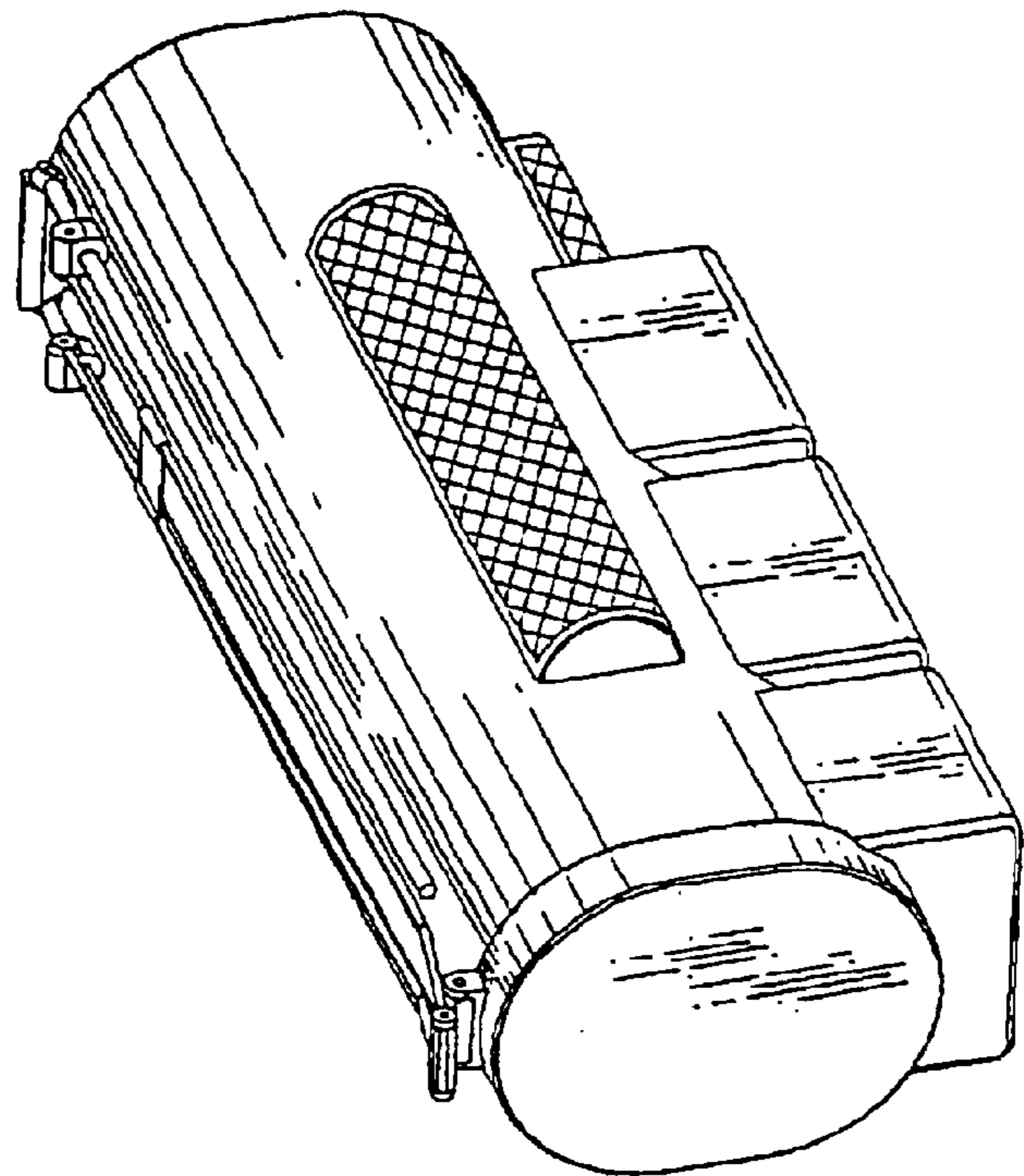


Fig. 6

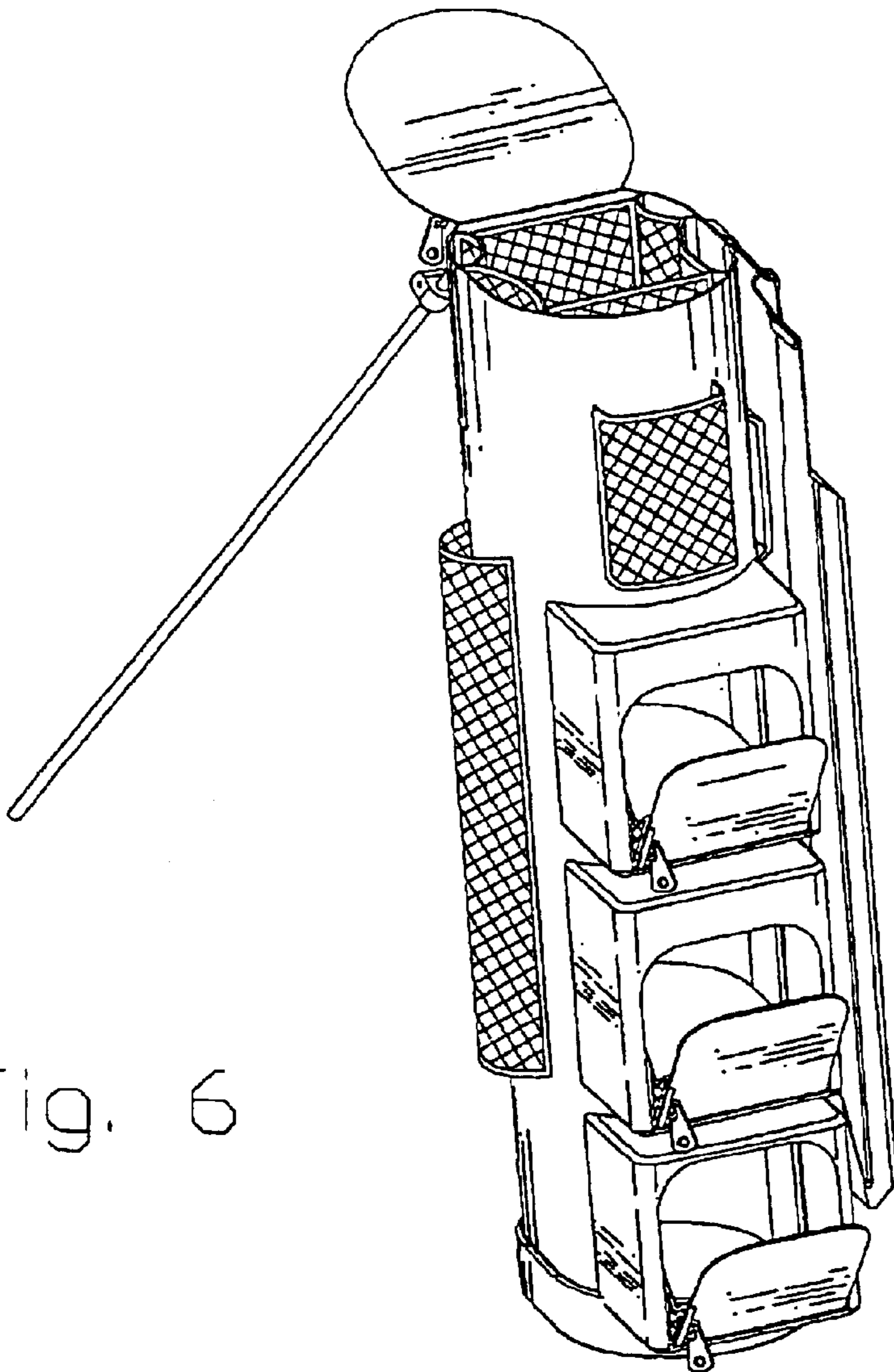


Fig. 7

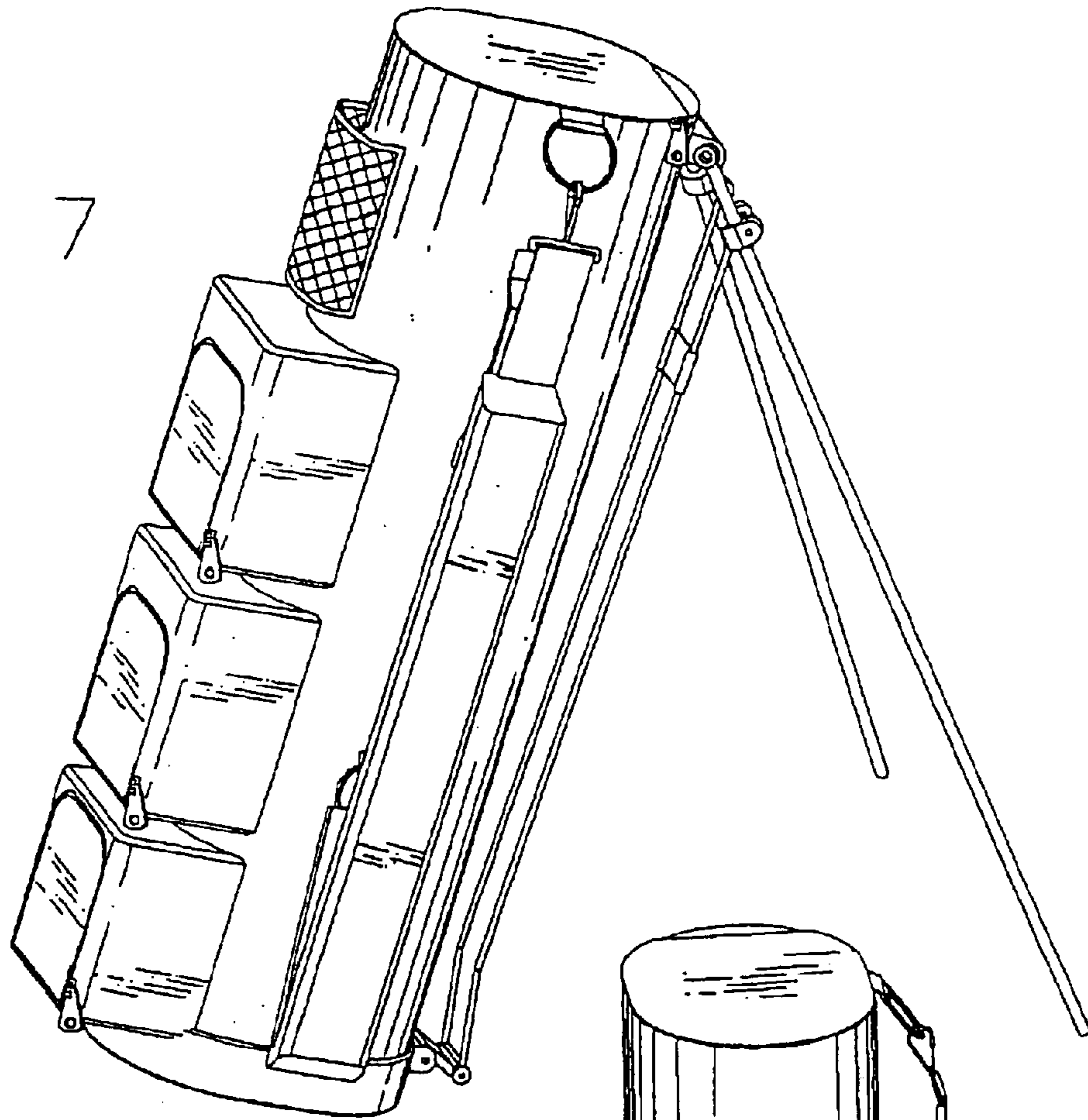
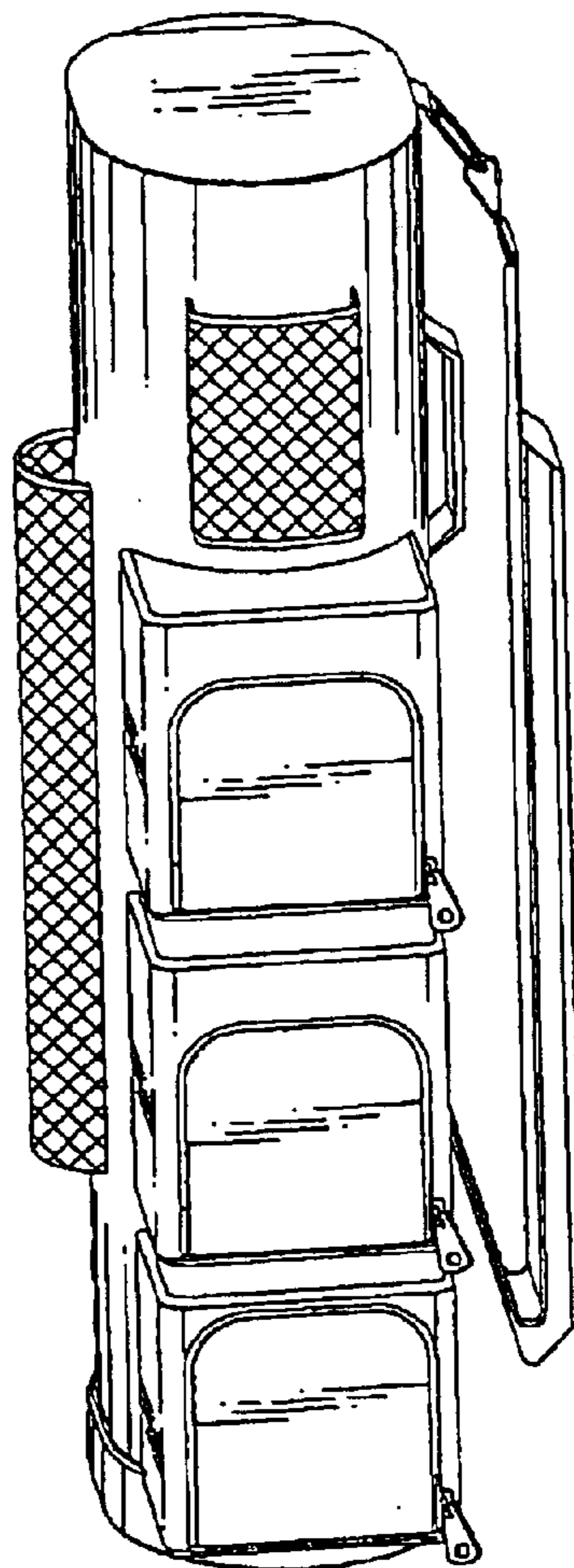


Fig. 8



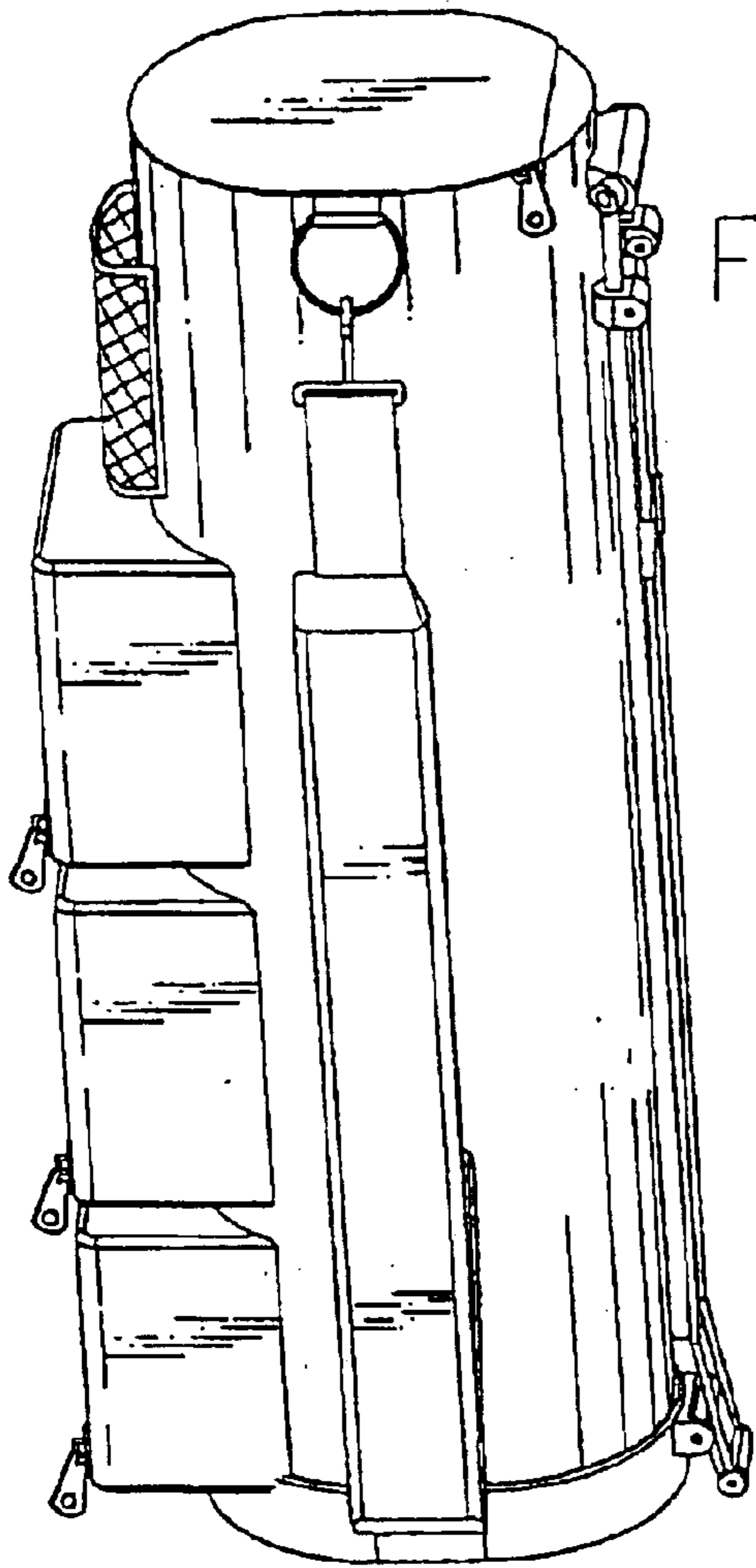


Fig. 9

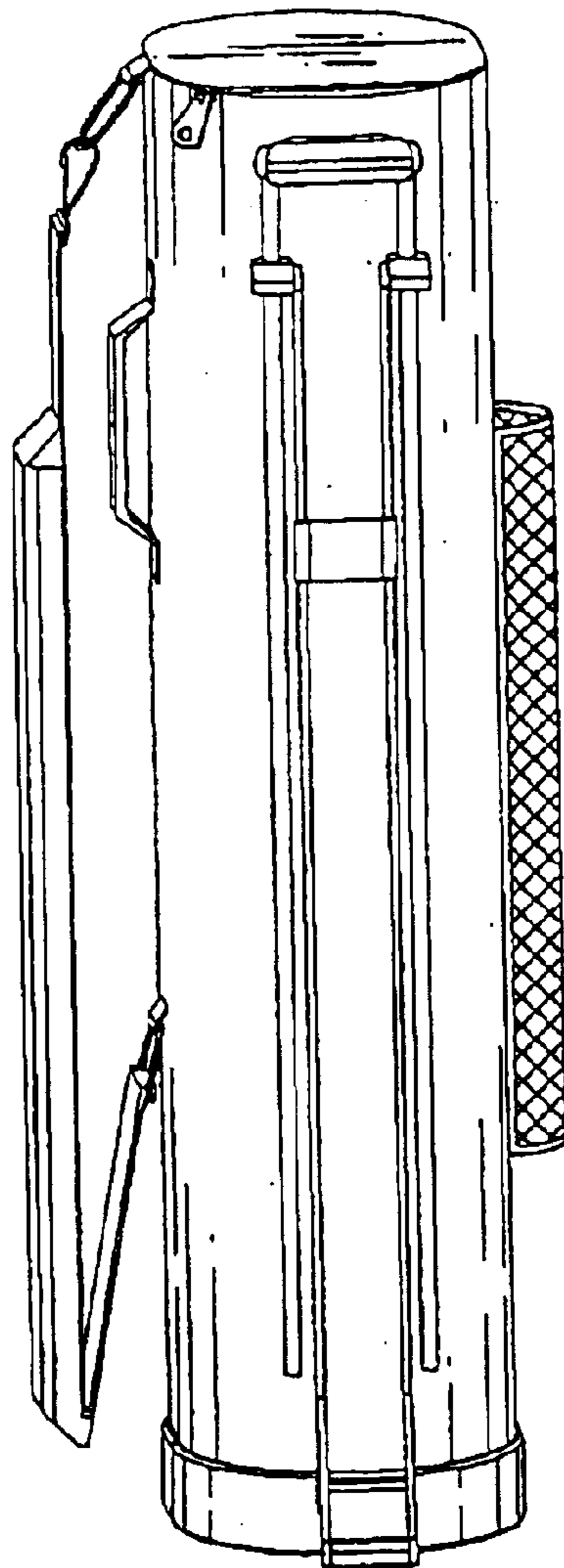


Fig. 10

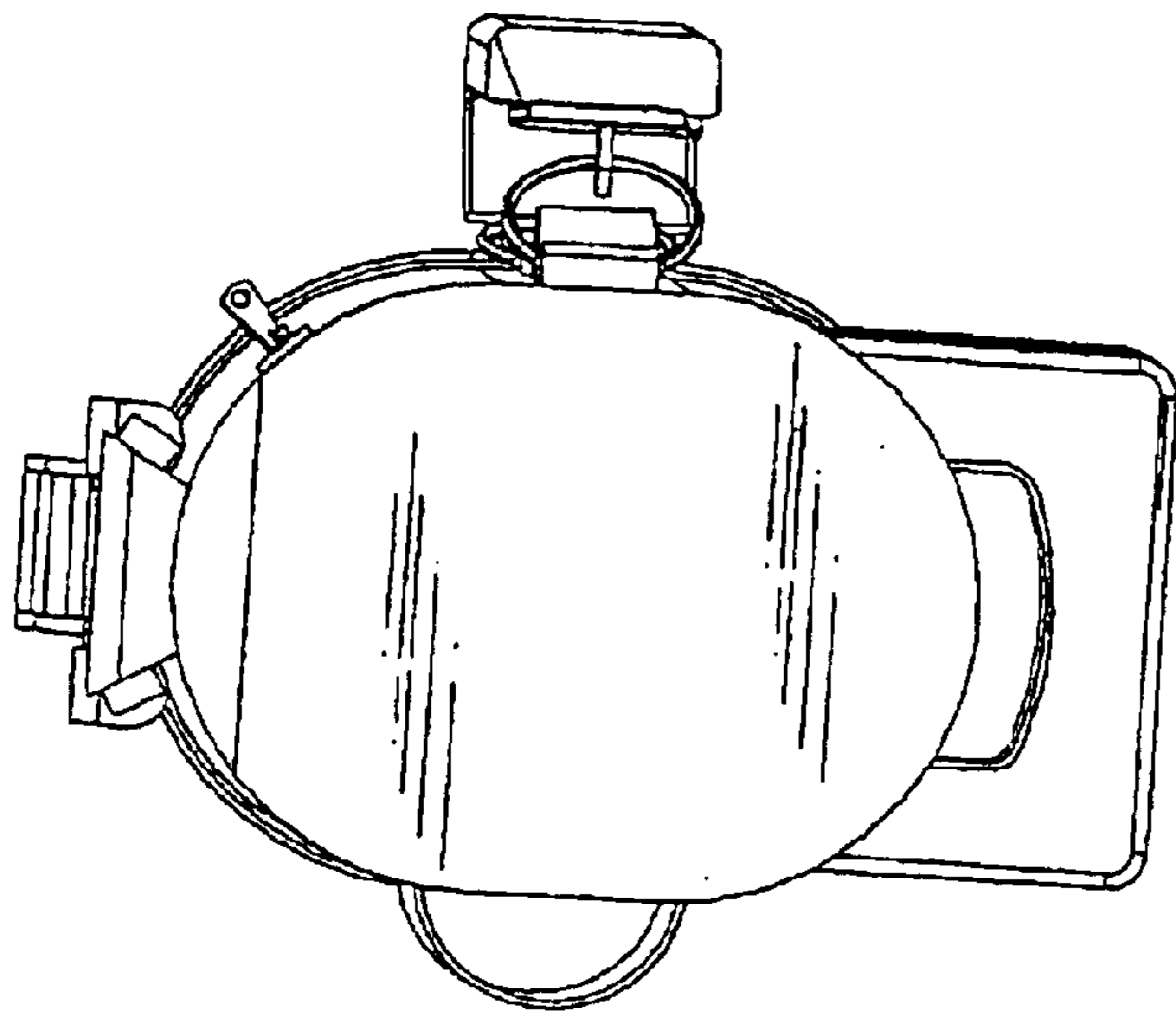


Fig. 11

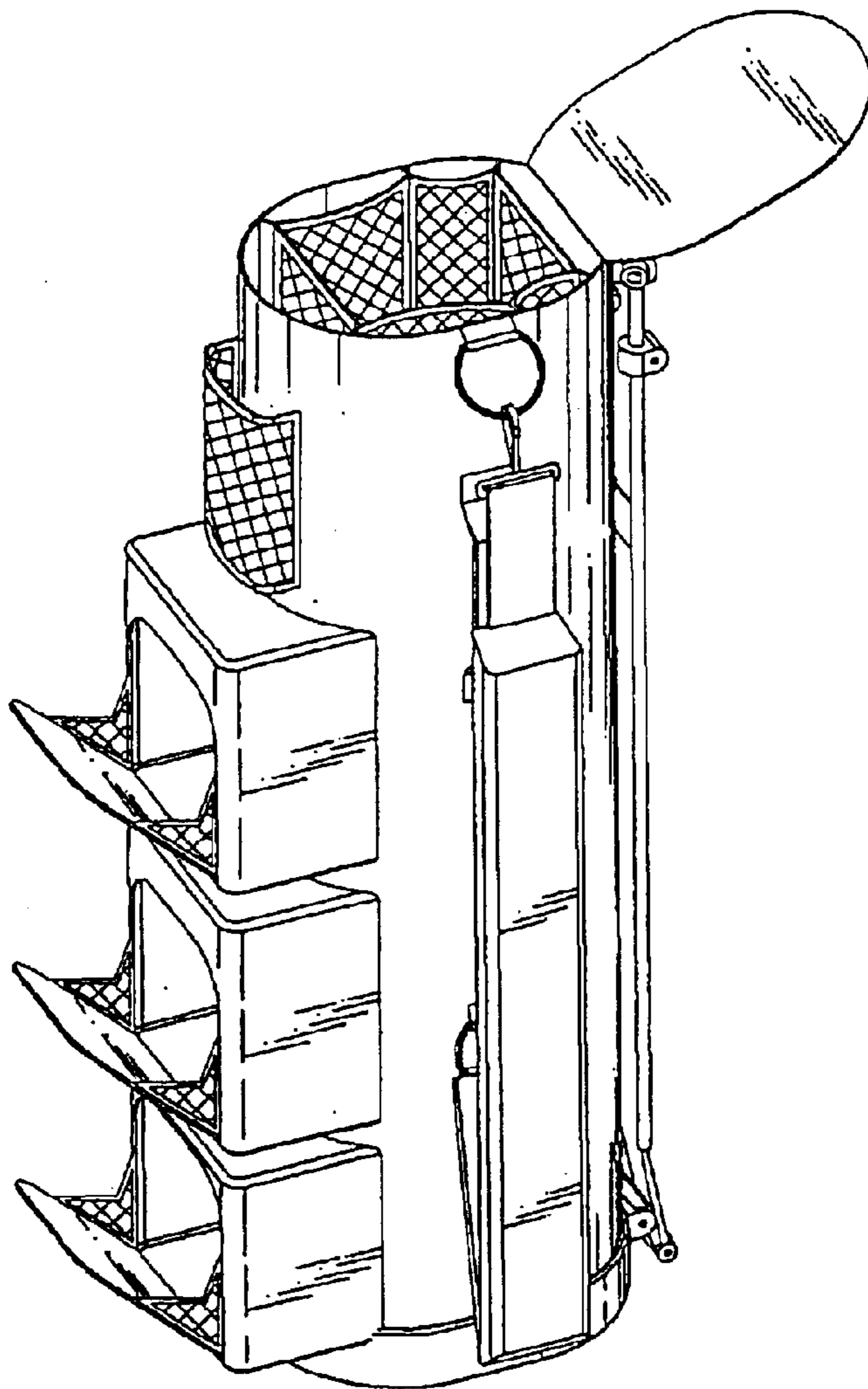


Fig. 12

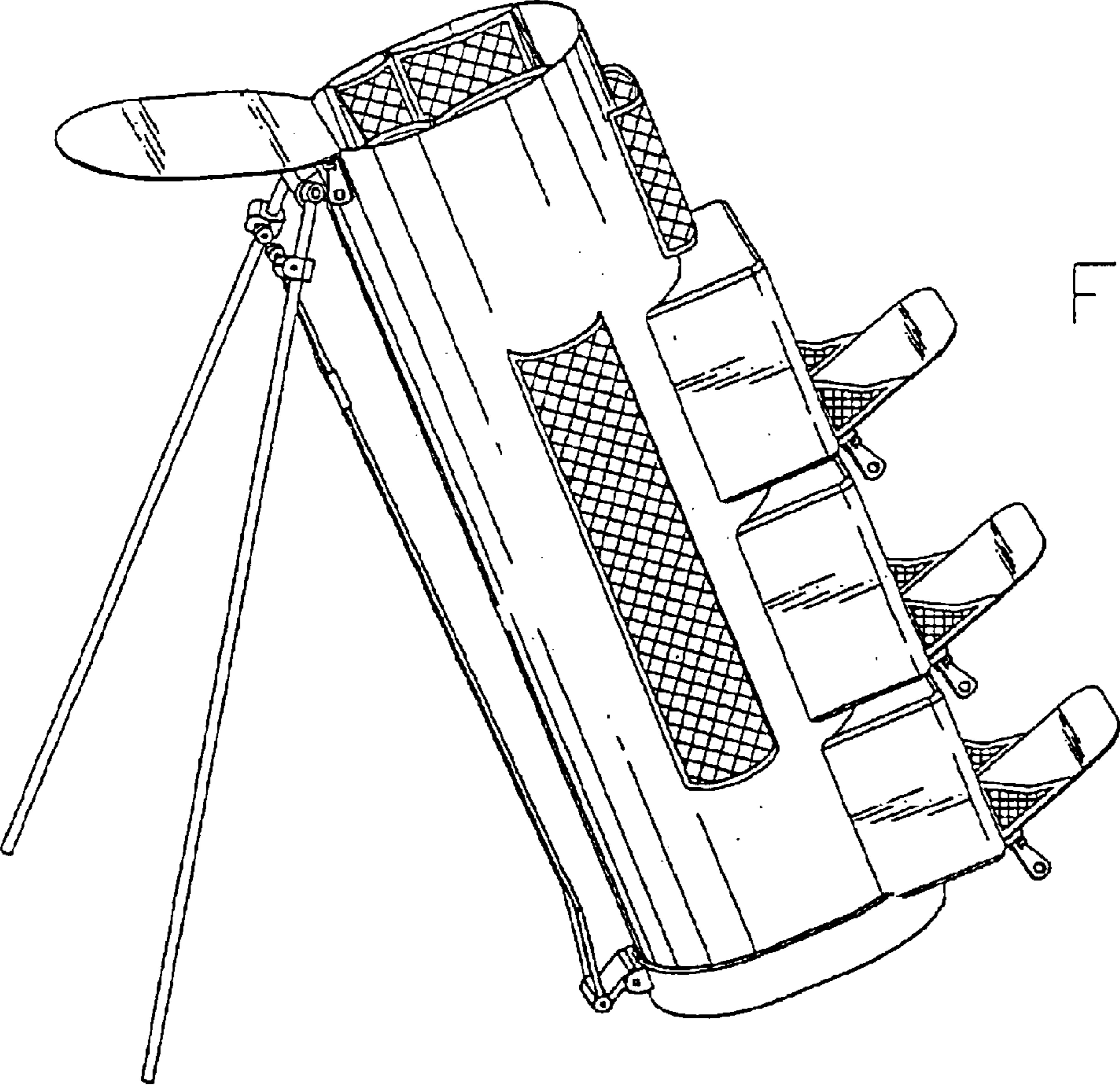


Fig. 13