

US00D501593S

(12) **United States Design Patent**  
**Robinson et al.**

(10) **Patent No.:** **US D501,593 S**  
(45) **Date of Patent:** **\*\* Feb. 1, 2005**

(54) **OSSUARY VESSEL**

(76) Inventors: **Hewitt Robinson**, 1641 E. Broad  
Ripple Ave., Indianapolis, IN (US)  
46204; **Jack Goodnoe**, 2450 N.  
Dixboro Rd., Ann Arbor, MI (US)  
48105

(\*\*) **Term:** **14 Years**

(21) **Appl. No.:** **29/181,703**

(22) **Filed:** **May 15, 2003**

(51) **LOC (7) Cl.** ..... **99-00**

(52) **U.S. Cl.** ..... **D99/5**

(58) **Field of Search** ..... D99/1-5, 17, 19,  
D99/24; 27/1-10; D11/131, 143; D6/495,  
496; D30/123

(56) **References Cited**

**U.S. PATENT DOCUMENTS**

- D438,361 S \* 2/2001 Robinson ..... D99/5
- D443,400 S \* 6/2001 Robinson ..... D99/5
- D444,933 S \* 7/2001 Parker ..... D99/5
- D453,964 S \* 2/2002 Morrell et al. .... D99/5

D457,284 S \* 5/2002 Dziekonski ..... D99/5

\* cited by examiner

*Primary Examiner*—Paula A. Greene  
(74) *Attorney, Agent, or Firm*—Woodard, Emhardt,  
Moriarty, McNett & Henry LLP

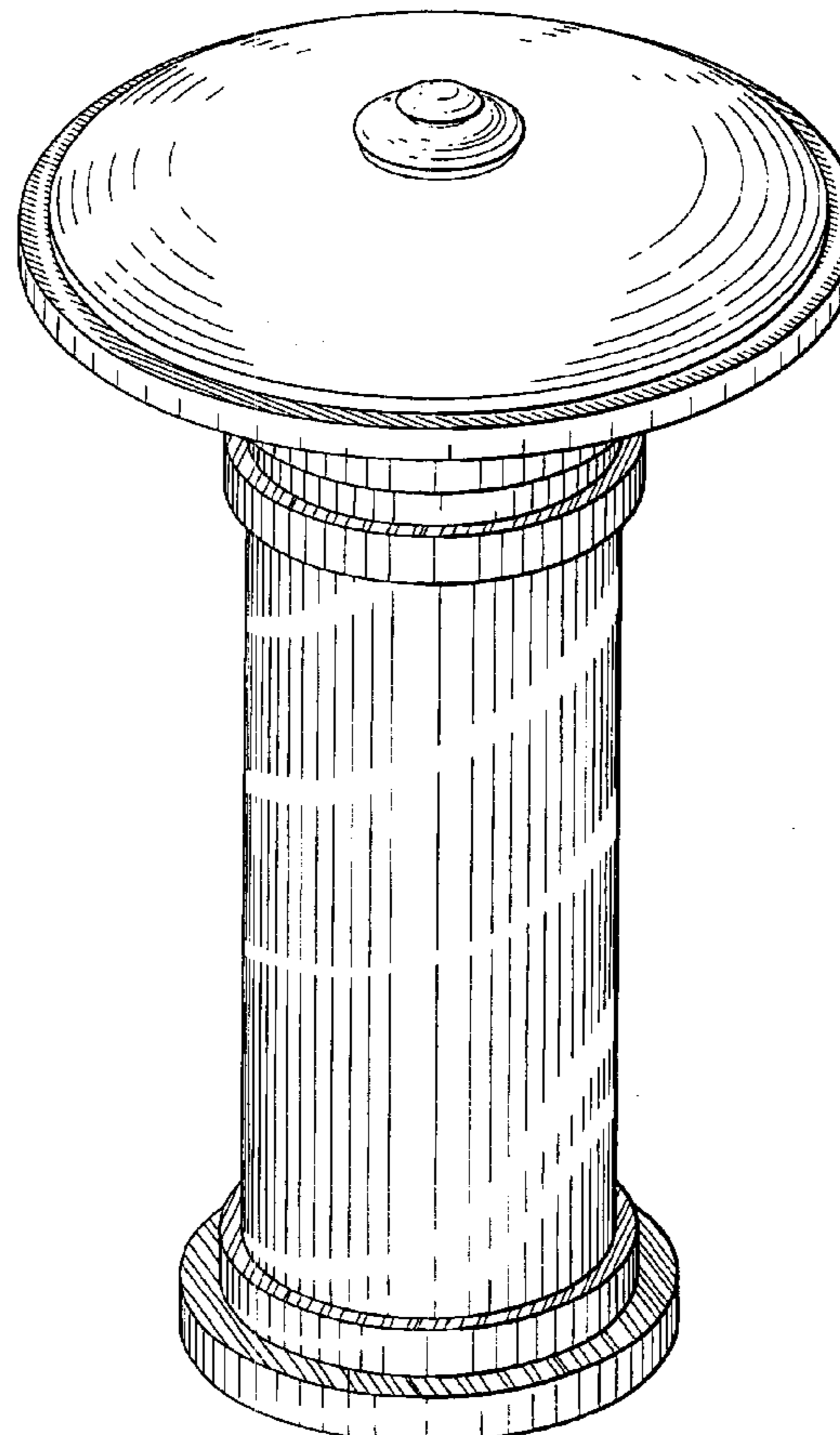
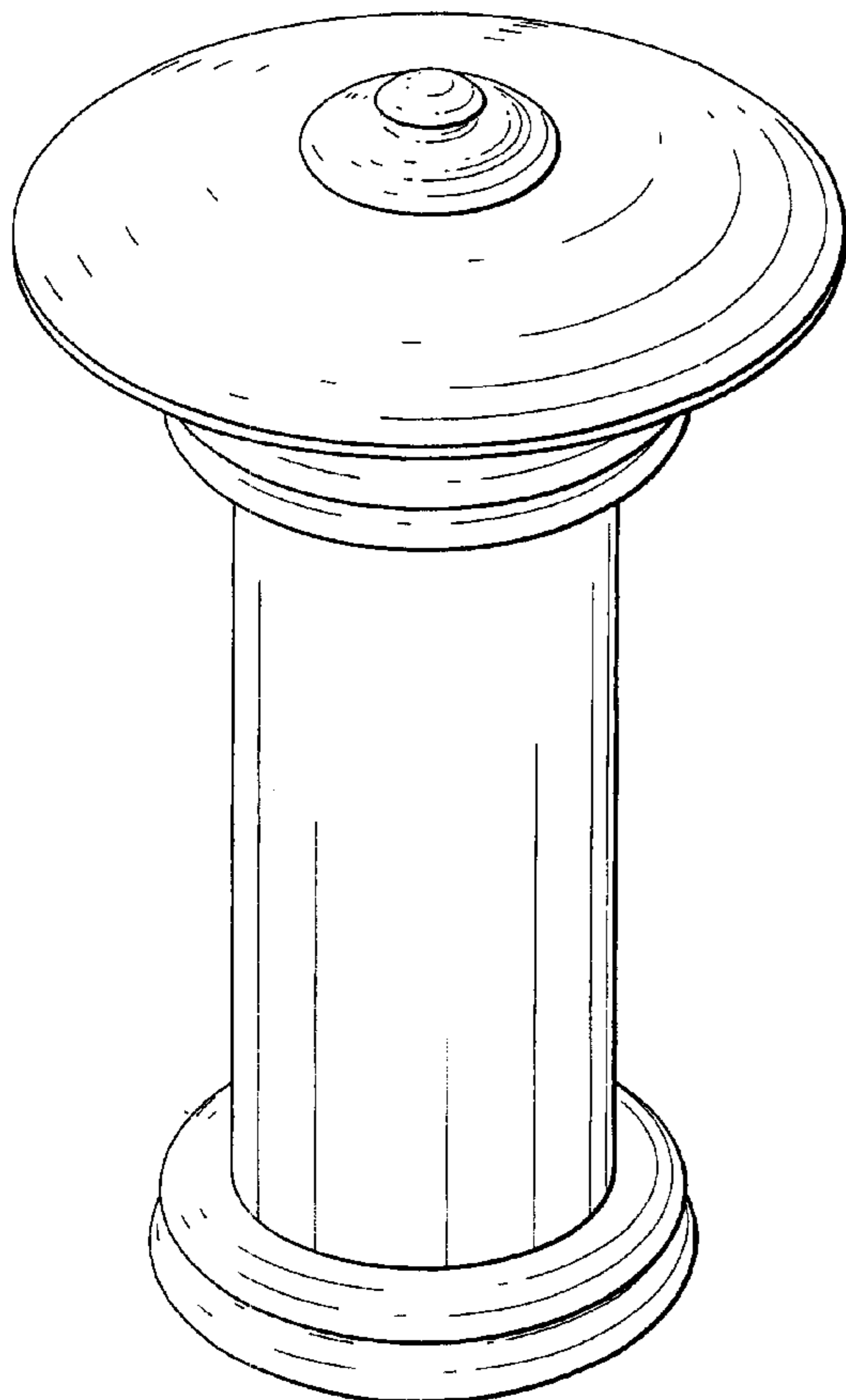
(57) **CLAIM**

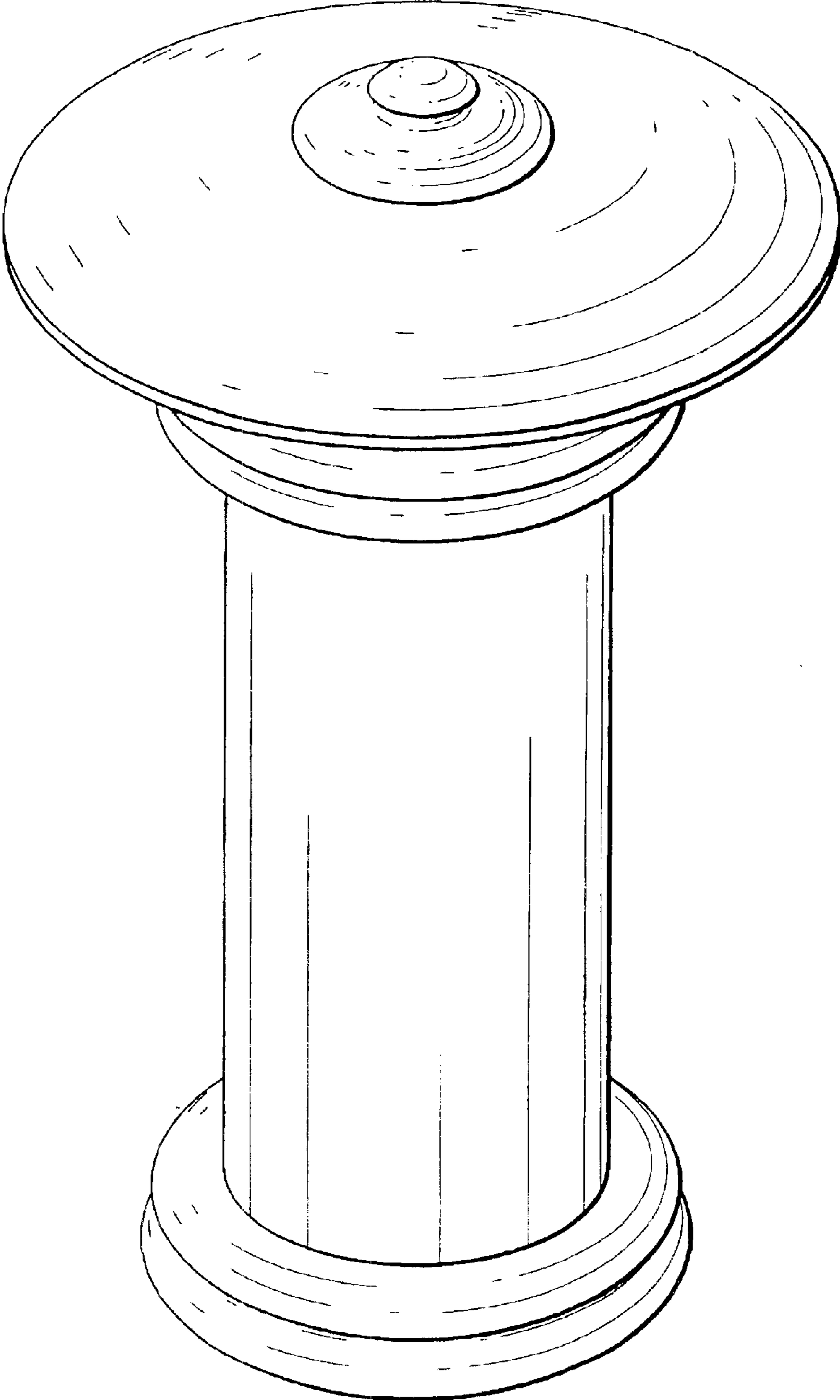
The ornamental design for an ossuary vessel, as shown and described.

**DESCRIPTION**

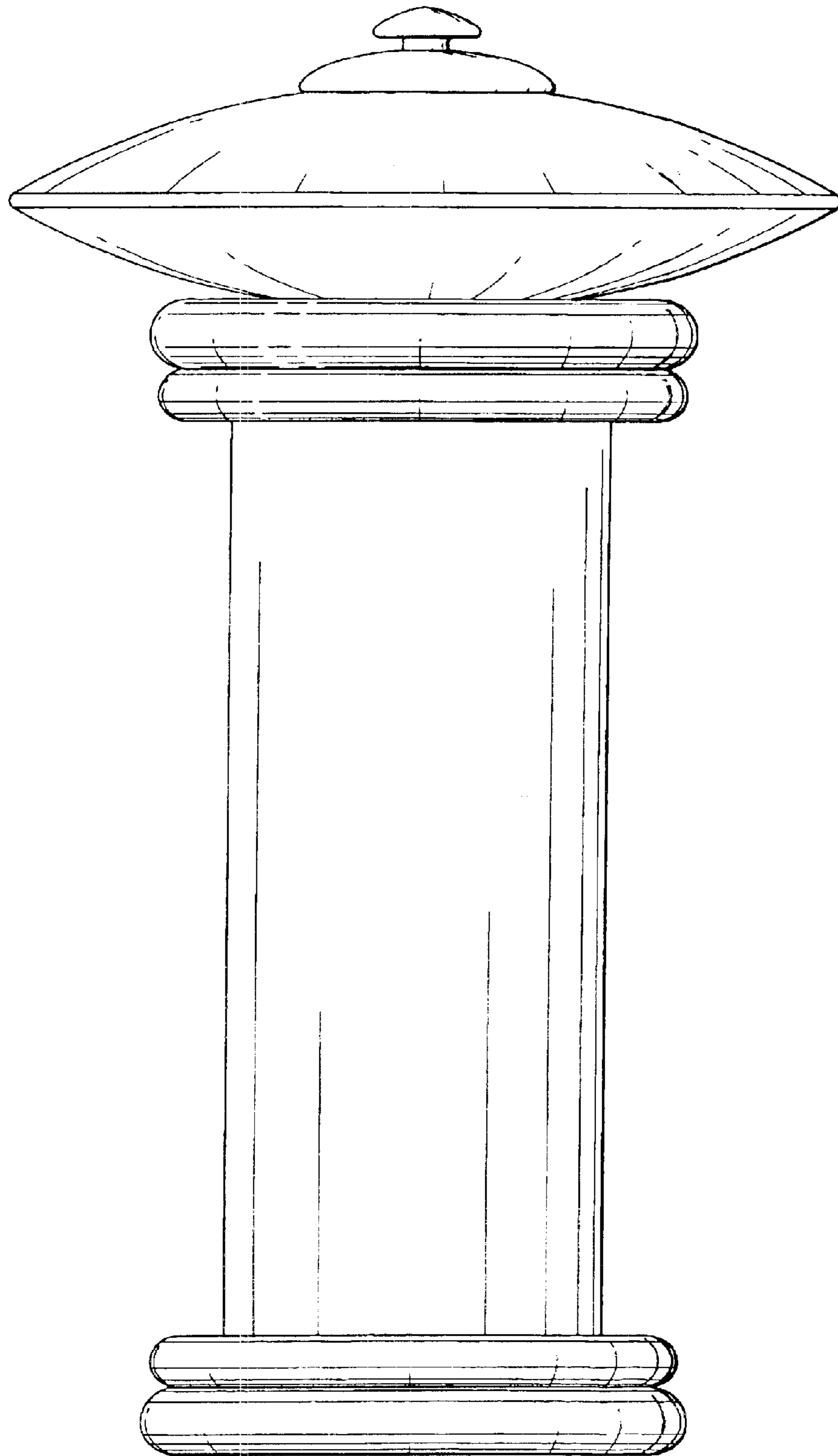
FIG. 1 is a perspective view of an ossuary vessel showing my new design;  
FIG. 2 is a front elevational view, the right, left, and rear elevations are identical;  
FIG. 3 is a top plan view thereof;  
FIG. 4 is a bottom plan view thereof;  
FIG. 5 is a front elevational view of a second embodiment of an ossuary vessel showing my new design;  
FIG. 6 is a front elevational view thereof;  
FIG. 7 is a top plan view thereof; and,  
FIG. 8 is a bottom plan view thereof.

**1 Claim, 6 Drawing Sheets**

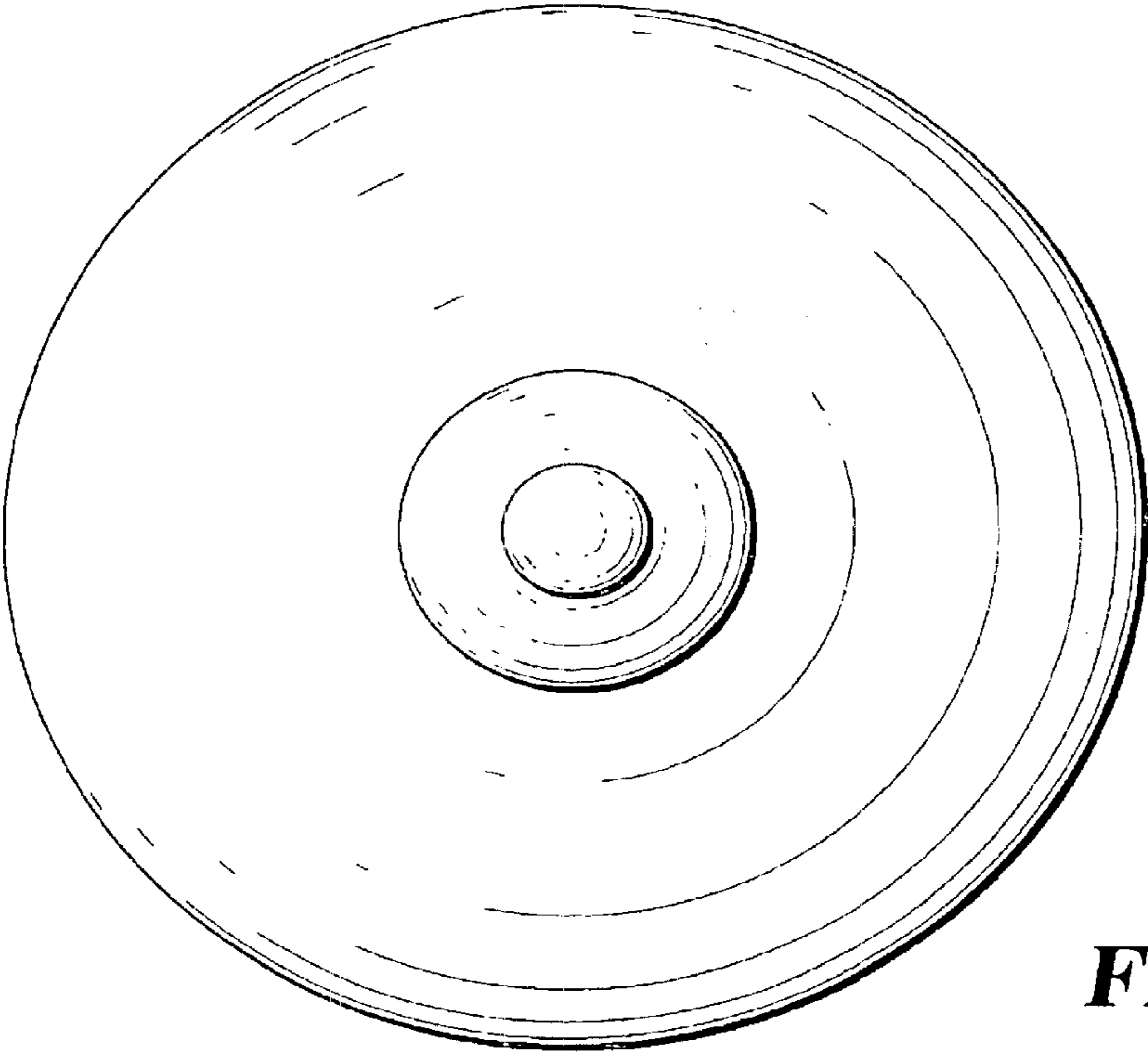




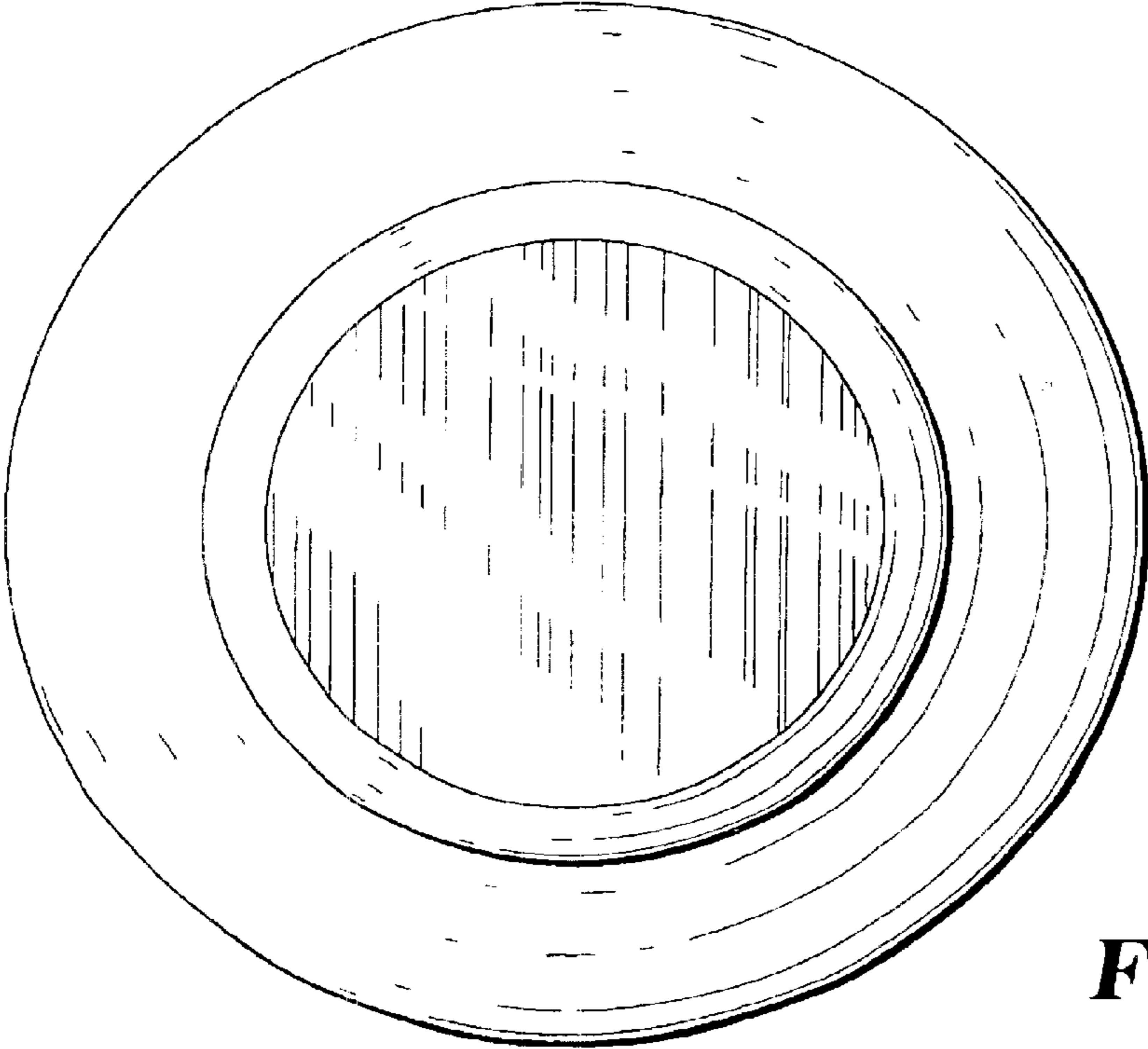
**Fig. 1**



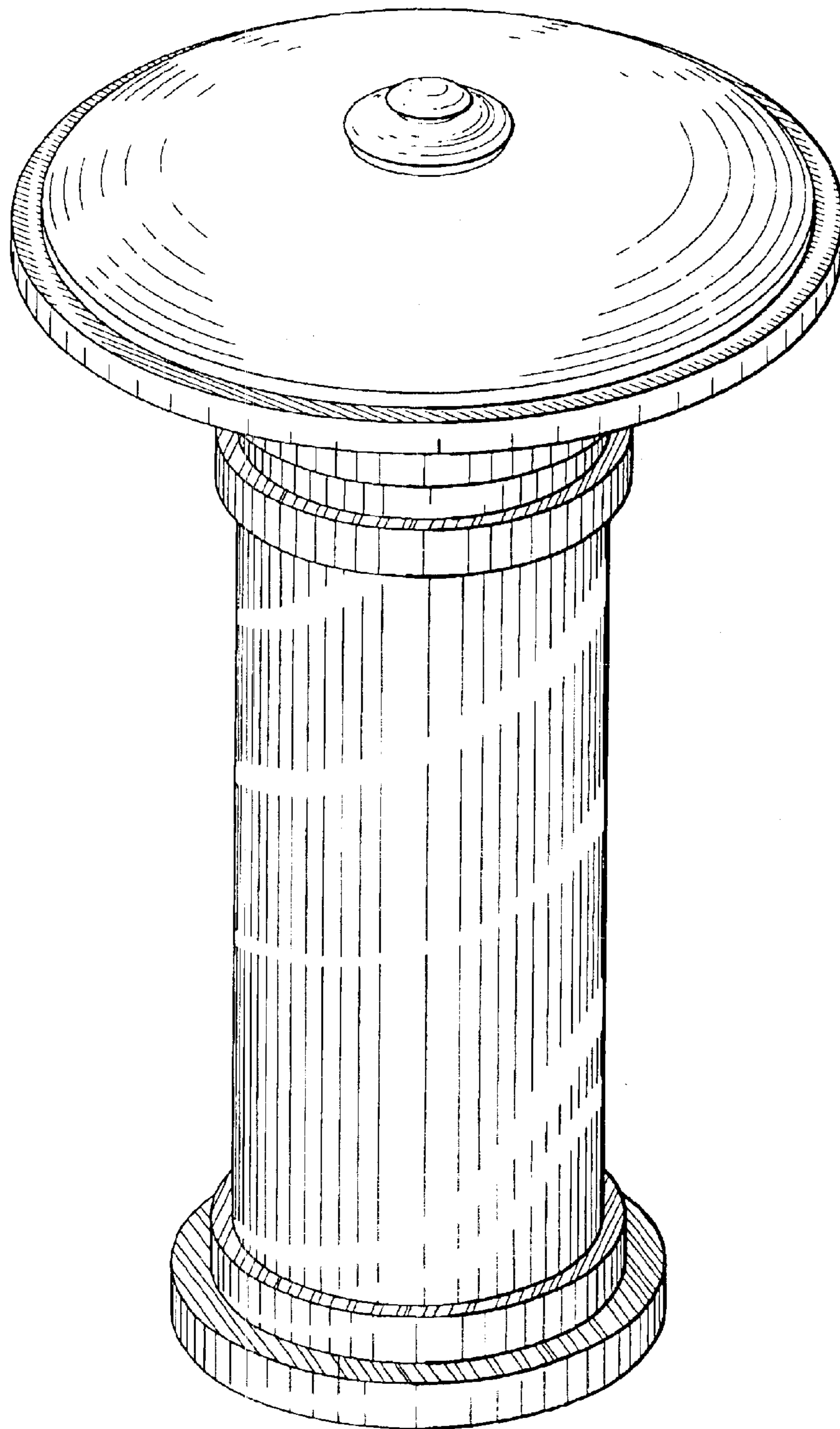
**Fig. 2**



**Fig. 3**

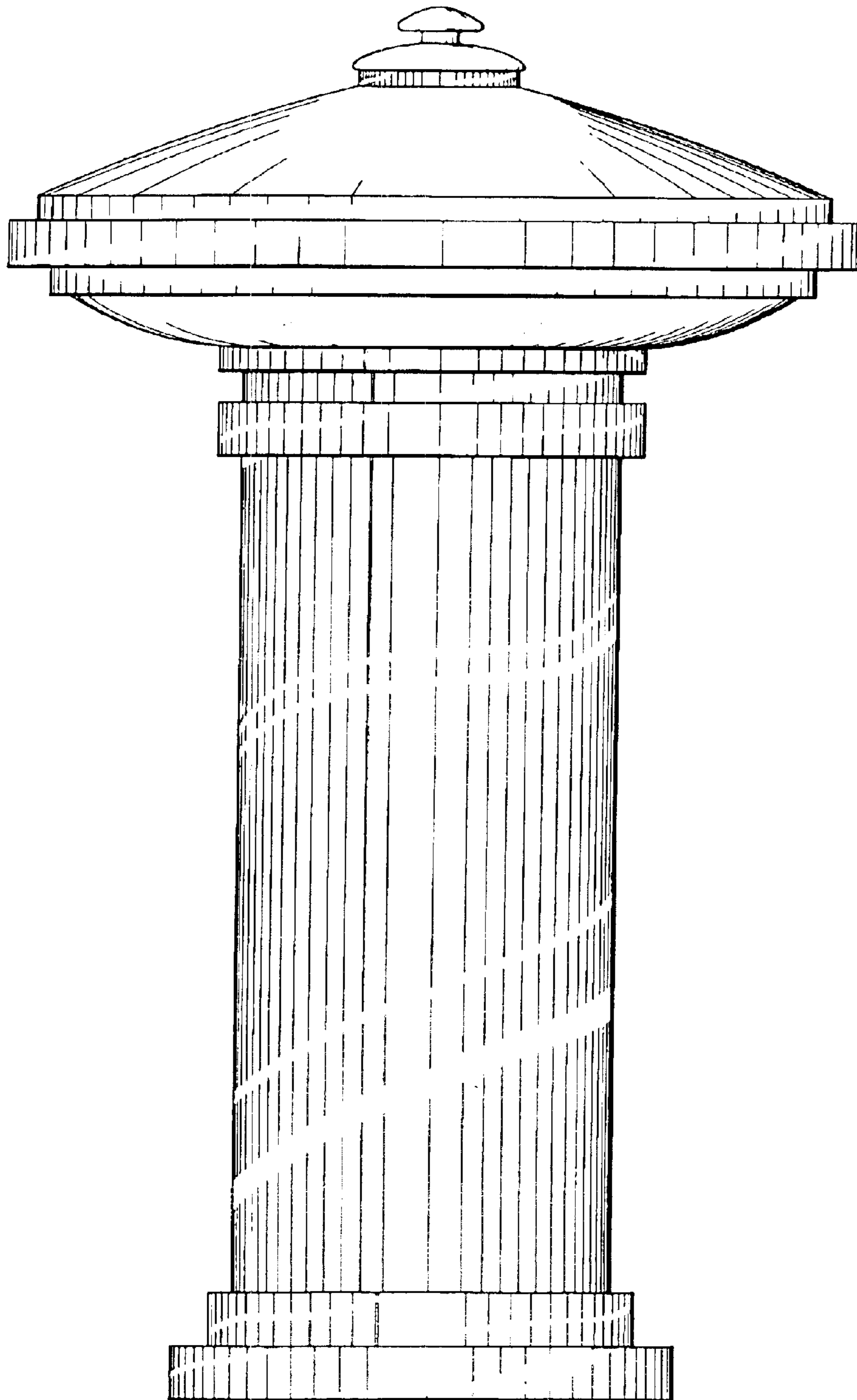


**Fig. 4**

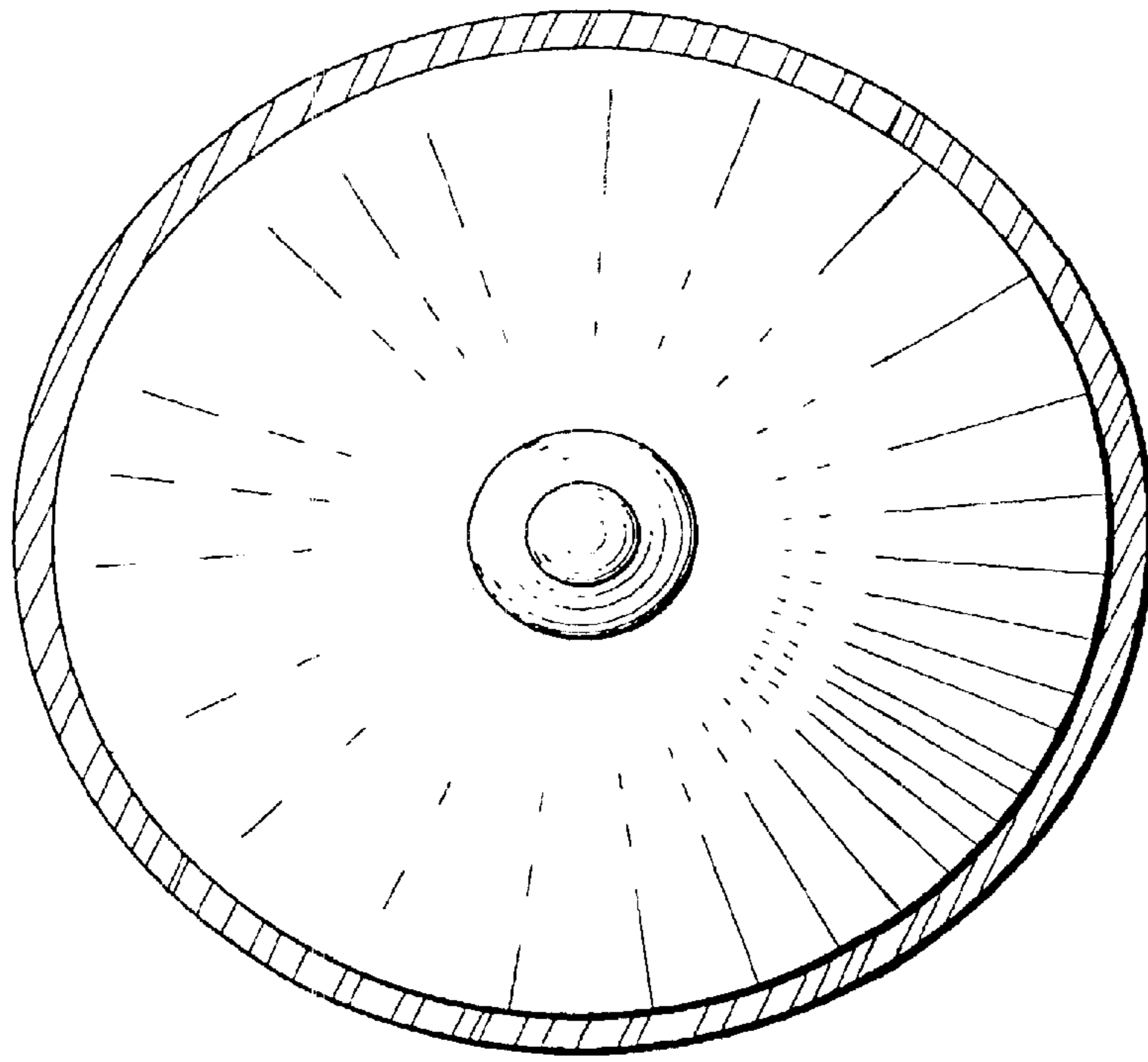


**Fig. 5**

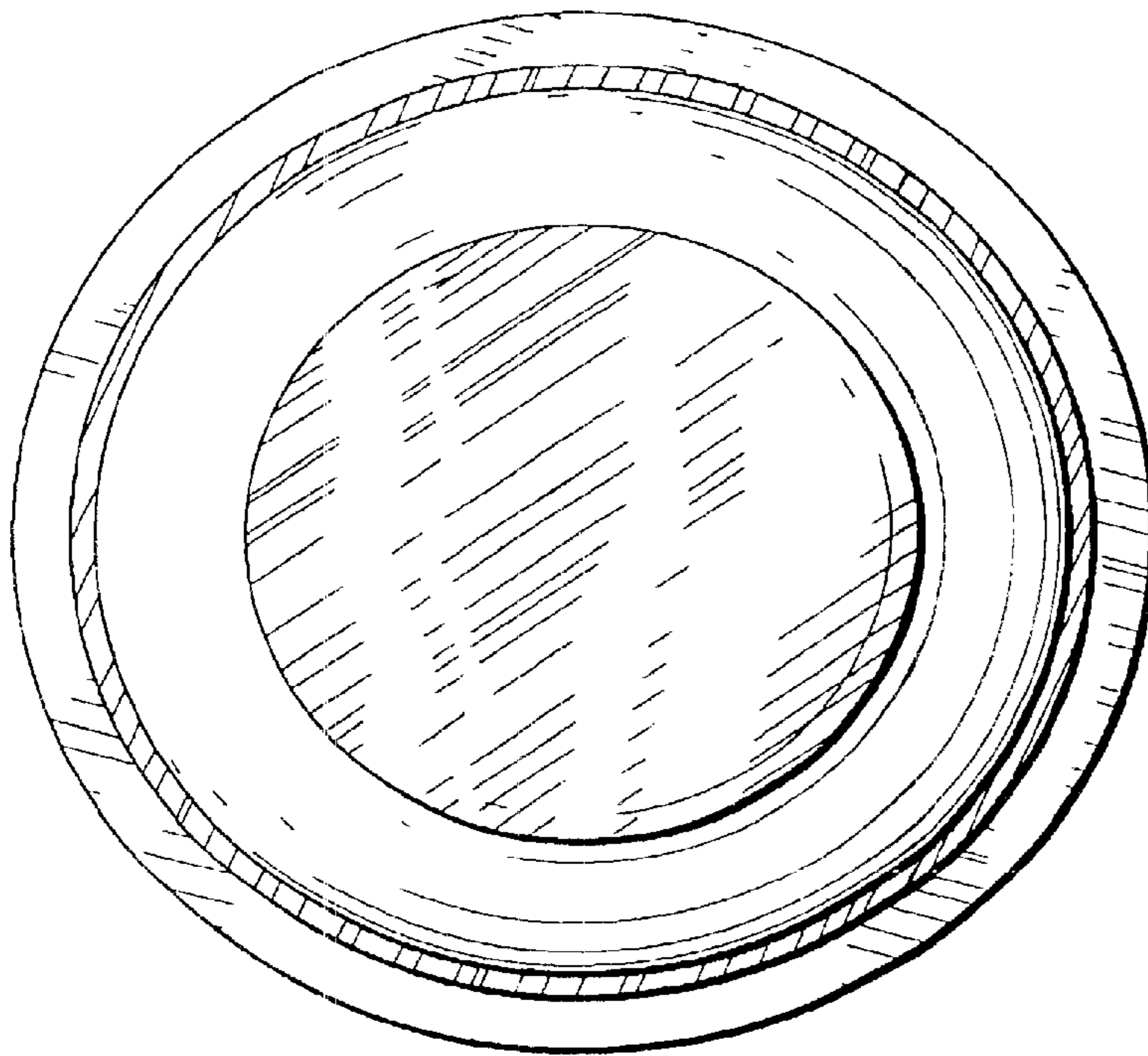




***Fig. 6***



**Fig. 7**



**Fig. 8**