

US00D501589S

(12) **United States Design Patent**
Carr et al.

(10) **Patent No.:** **US D501,589 S**
(45) **Date of Patent:** **** Feb. 1, 2005**

(54) **SWEEPER HANDLE**

FOREIGN PATENT DOCUMENTS

(75) Inventors: **Adam G. Carr**, Grand Rapids, MI (US); **Douglas J. Medema**, Belding, MI (US)

GB 2 392 831 3/2004

* cited by examiner

(73) Assignee: **BISSELL Homecare, Inc.**, Grand Rapids, MI (US)

Primary Examiner—Alan P. Douglas
Assistant Examiner—Lavone D. Tabor
(74) *Attorney, Agent, or Firm*—McGarry Bair PC

(**) Term: **14 Years**

(57) **CLAIM**

(21) Appl. No.: **29/201,564**

The ornamental design for a sweeper handle, as shown and described.

(22) Filed: **Mar. 17, 2004**

DESCRIPTION

(51) **LOC (7) Cl.** **15-05**

(52) **U.S. Cl.** **D32/38**

(58) **Field of Search** D32/21, 22, 31-33, D32/38, 39, 30, 34; 15/41.1, 42-46, 48, 48.1, 79.1, 49.1, 50.3, 415; 16/DIG. 41

FIG. 1 is a front perspective view of a sweeper handle which embodies our design;
FIG. 2 is a front view thereof;
FIG. 3 is a rear view thereof;
FIG. 4 is a right side view thereof;
FIG. 5 is a left side view thereof; and,
FIG. 6 is a top view thereof.

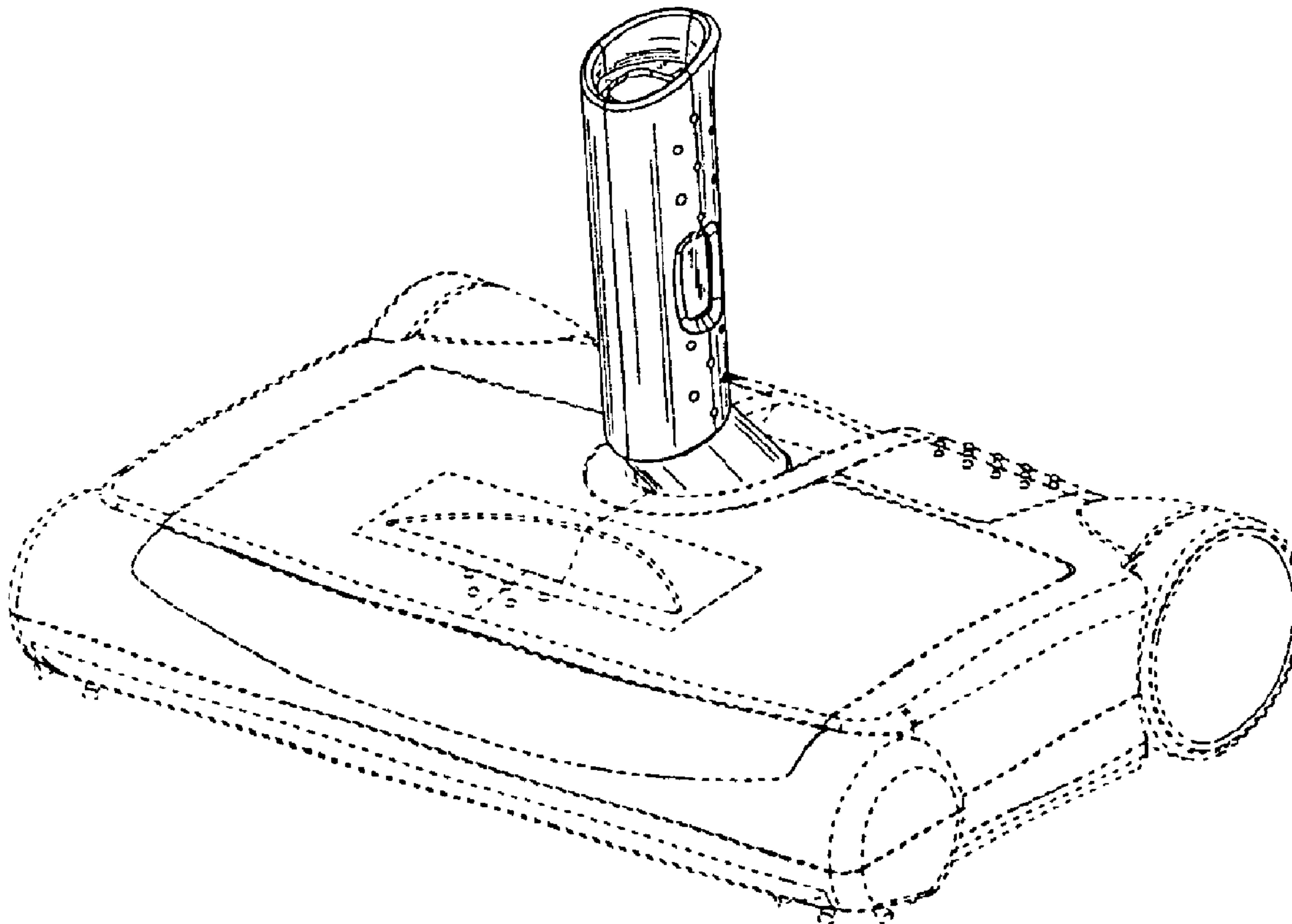
(56) **References Cited**

The drawings include dotted lines that form no part of our design.

U.S. PATENT DOCUMENTS

3,800,351 A 4/1974 Fukuba
D426,356 S * 6/2000 Tsuruha D32/22
D444,277 S * 6/2001 Santiago D32/31

1 Claim, 4 Drawing Sheets



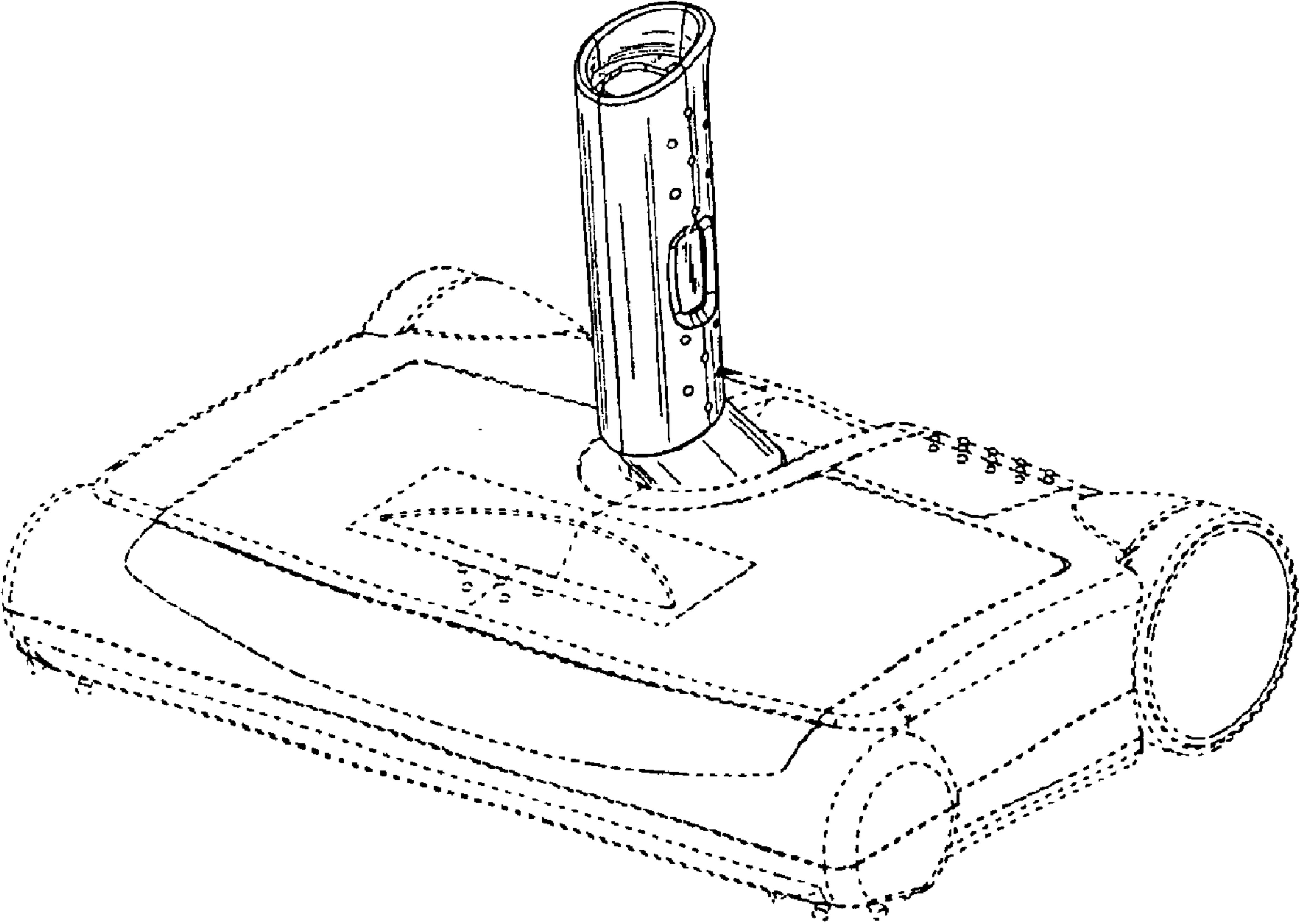


Fig. 1

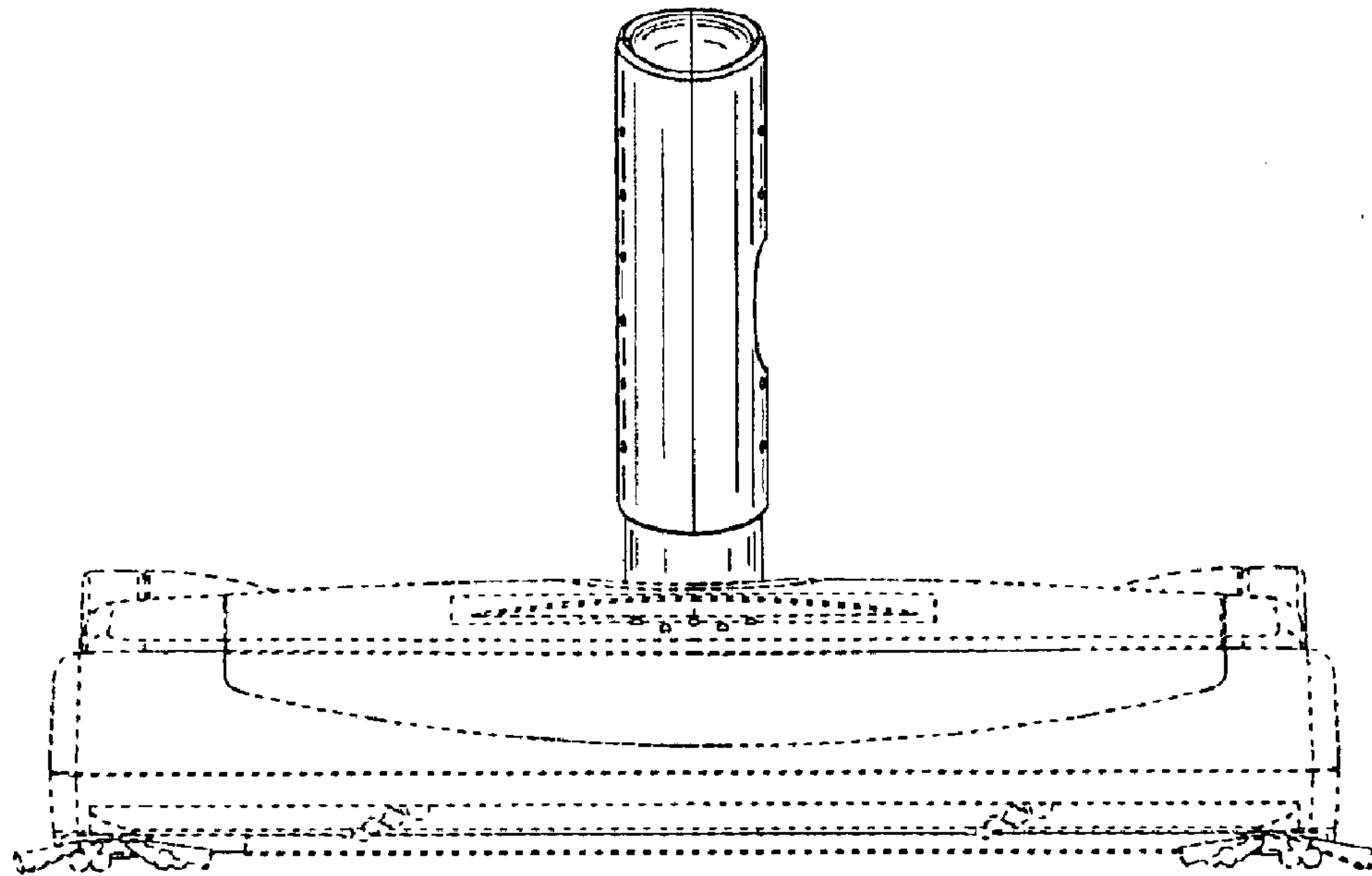


Fig. 2

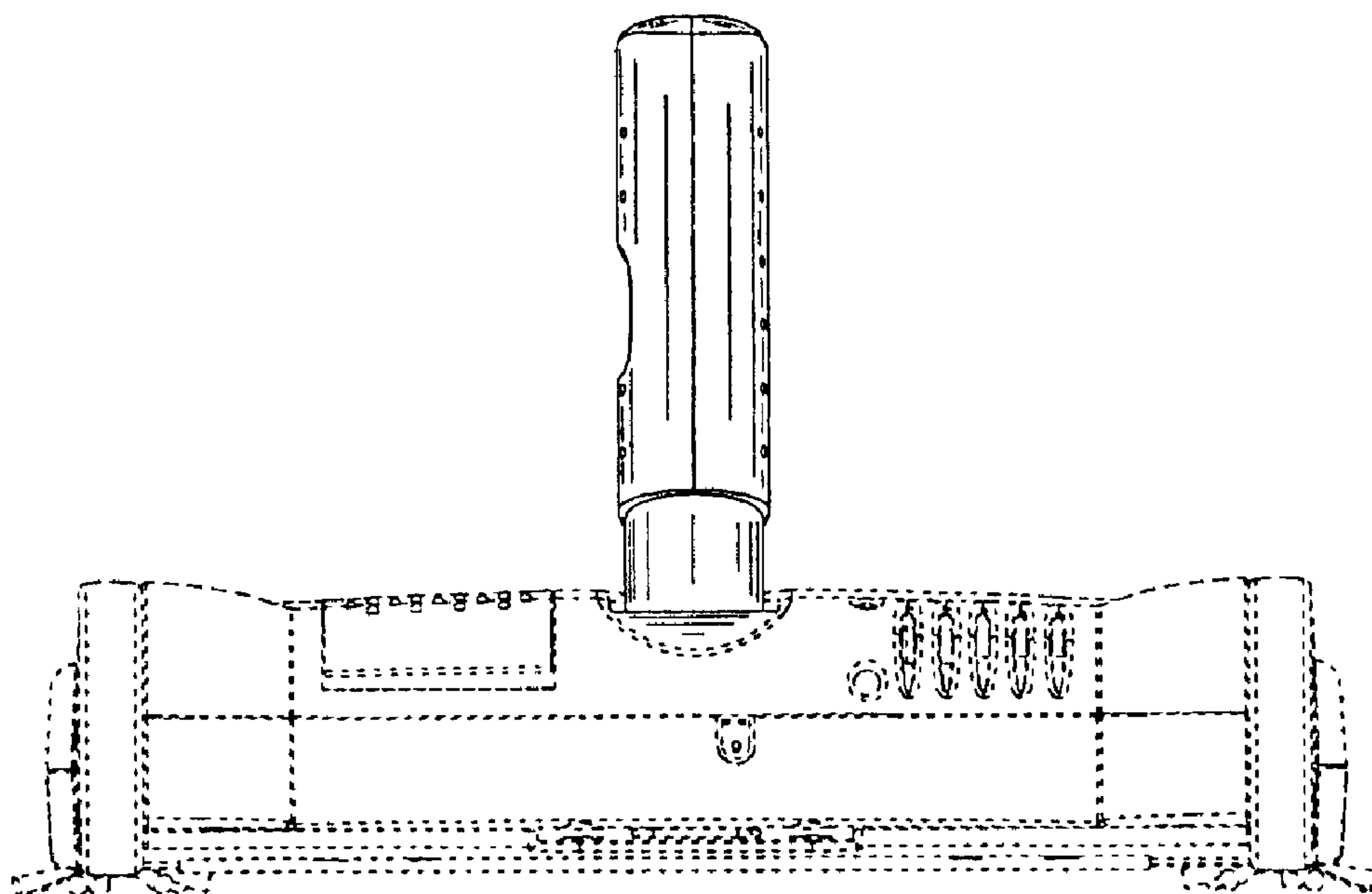


Fig. 3

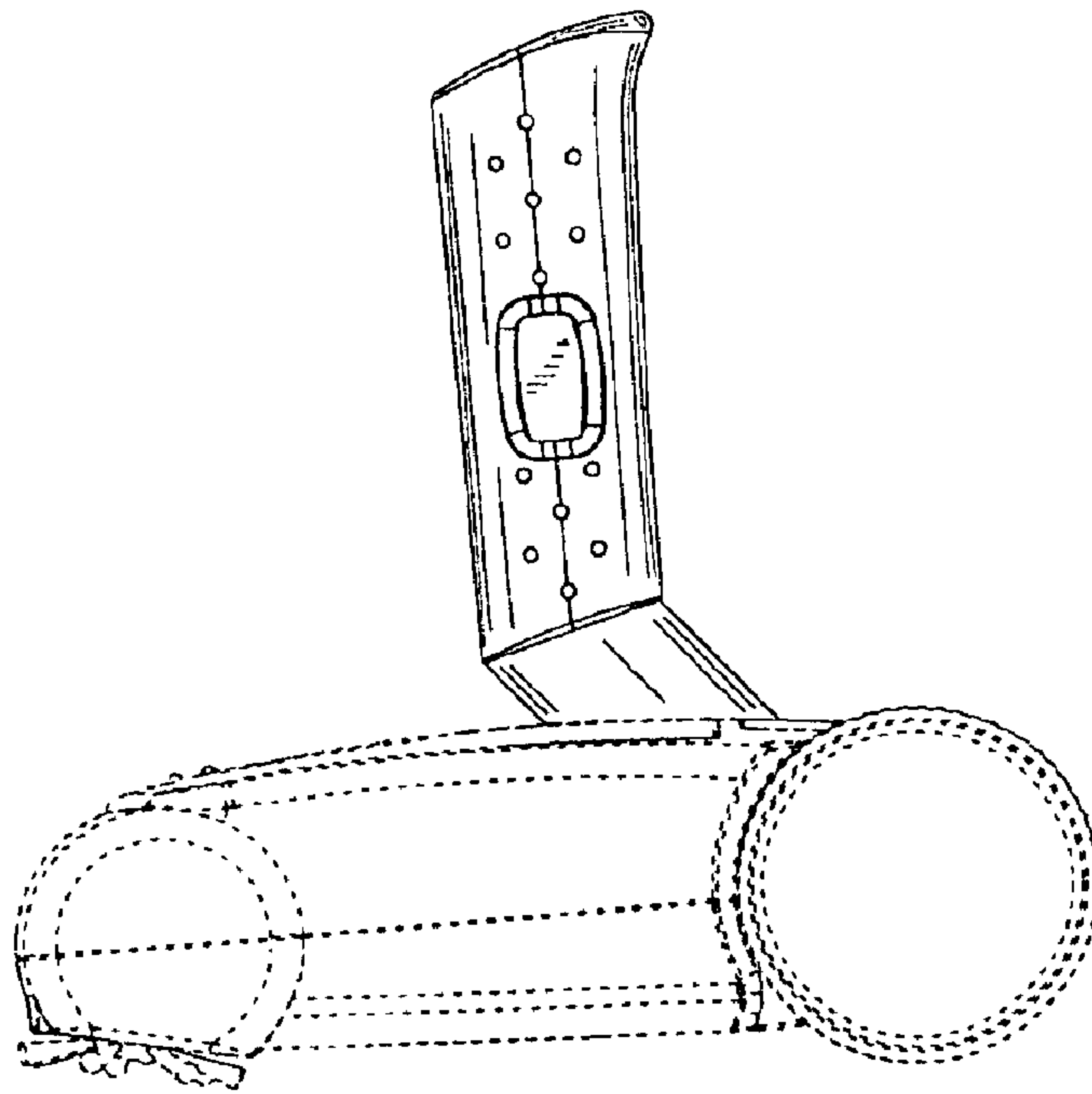


Fig. 4

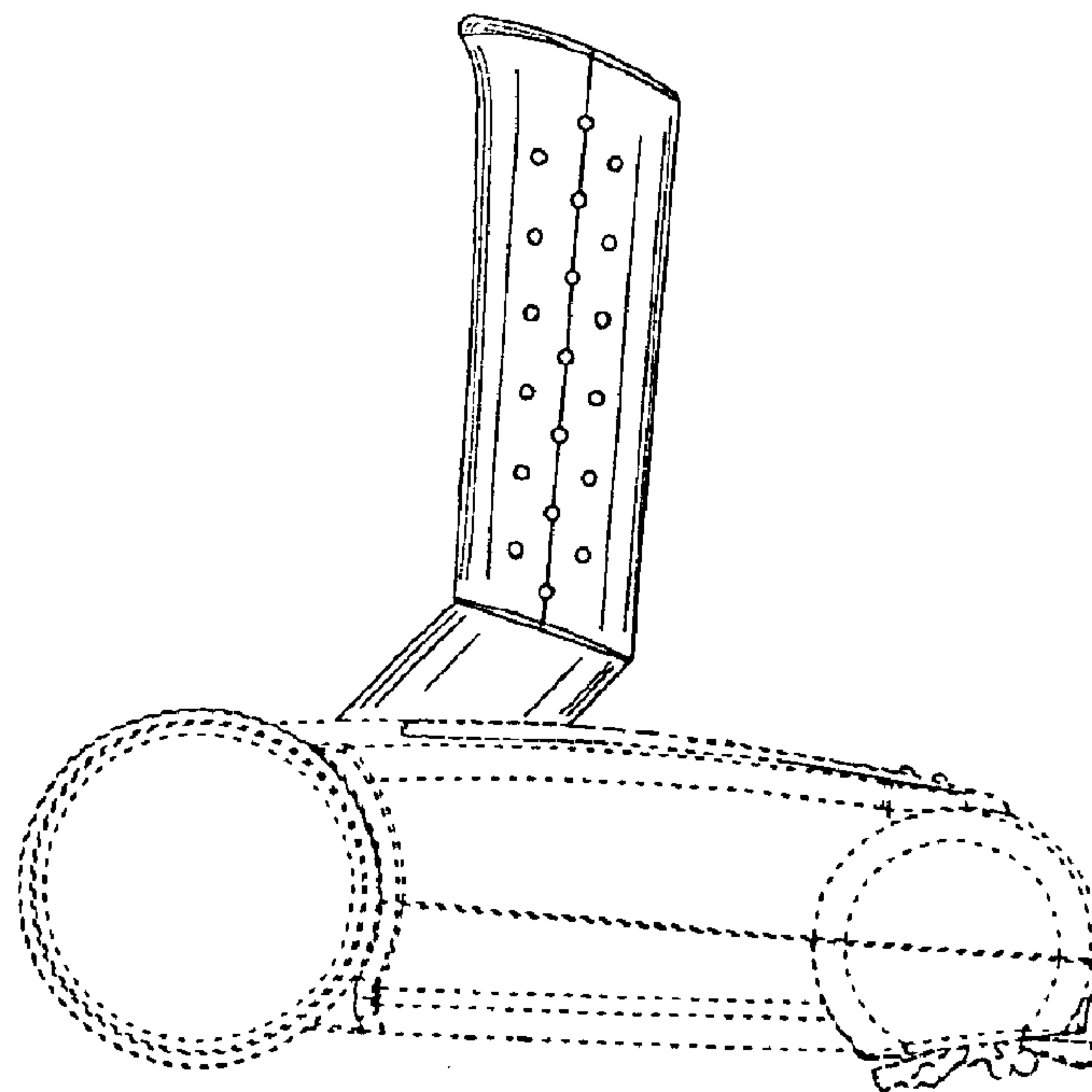


Fig. 5

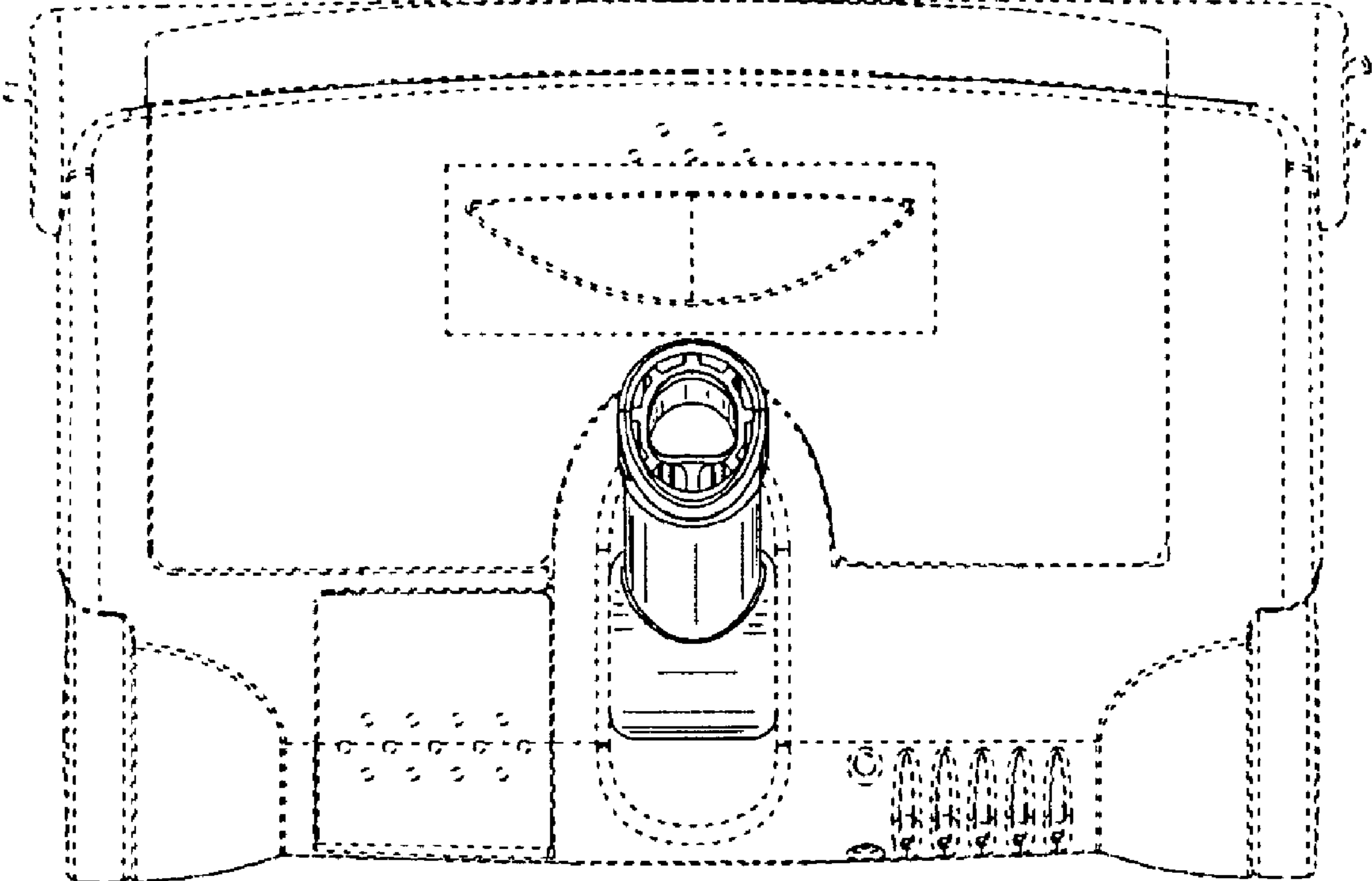


Fig. 6