

US00D501586S

(12) **United States Design Patent**
Kaczmarek

(10) **Patent No.: US D501,586 S**

(45) **Date of Patent: ** Feb. 1, 2005**

(54) **DISHWASHER**

(75) **Inventor: Wolfgang Kaczmarek, Schwindegg (DE)**

(73) **Assignee: BSH Bosch und Siemens Hausgerate GmbH, Munich (DE)**

(**) **Term: 14 Years**

(21) **Appl. No.: 29/182,955**

(22) **Filed: Jun. 4, 2003**

(30) **Foreign Application Priority Data**

Dec. 4, 2002 (DE) 40 210 179

(51) **LOC (7) Cl. 15-05**

(52) **U.S. Cl. D32/3**

(58) **Field of Search** D32/1-3, 5-6, D32/8, 25, 28; D7/340, 405, 348-351; 68/212; 312/31, 228, 228.1, 204; 134/113, 201, 57 D, 57 DL, 56 D, 58 D, 58 DL

(56) **References Cited**

U.S. PATENT DOCUMENTS

D190,675 S * 6/1961 Dushek D32/28
4,229,921 A * 10/1980 Schell 312/204

4,732,431 A * 3/1988 Mason D32/3
D320,489 S * 10/1991 Marks et al. D32/3
5,908,227 A * 6/1999 Wilhelmstatter et al. ... 312/204
5,960,804 A * 10/1999 Cooper et al. 134/56 D
6,622,740 B1 * 9/2003 Durazzani 134/201

* cited by examiner

Primary Examiner—Robert A. Delehanty

(74) *Attorney, Agent, or Firm*—Laurence A. Greenberg; Werner H. Stemer; Gregory L. Mayback

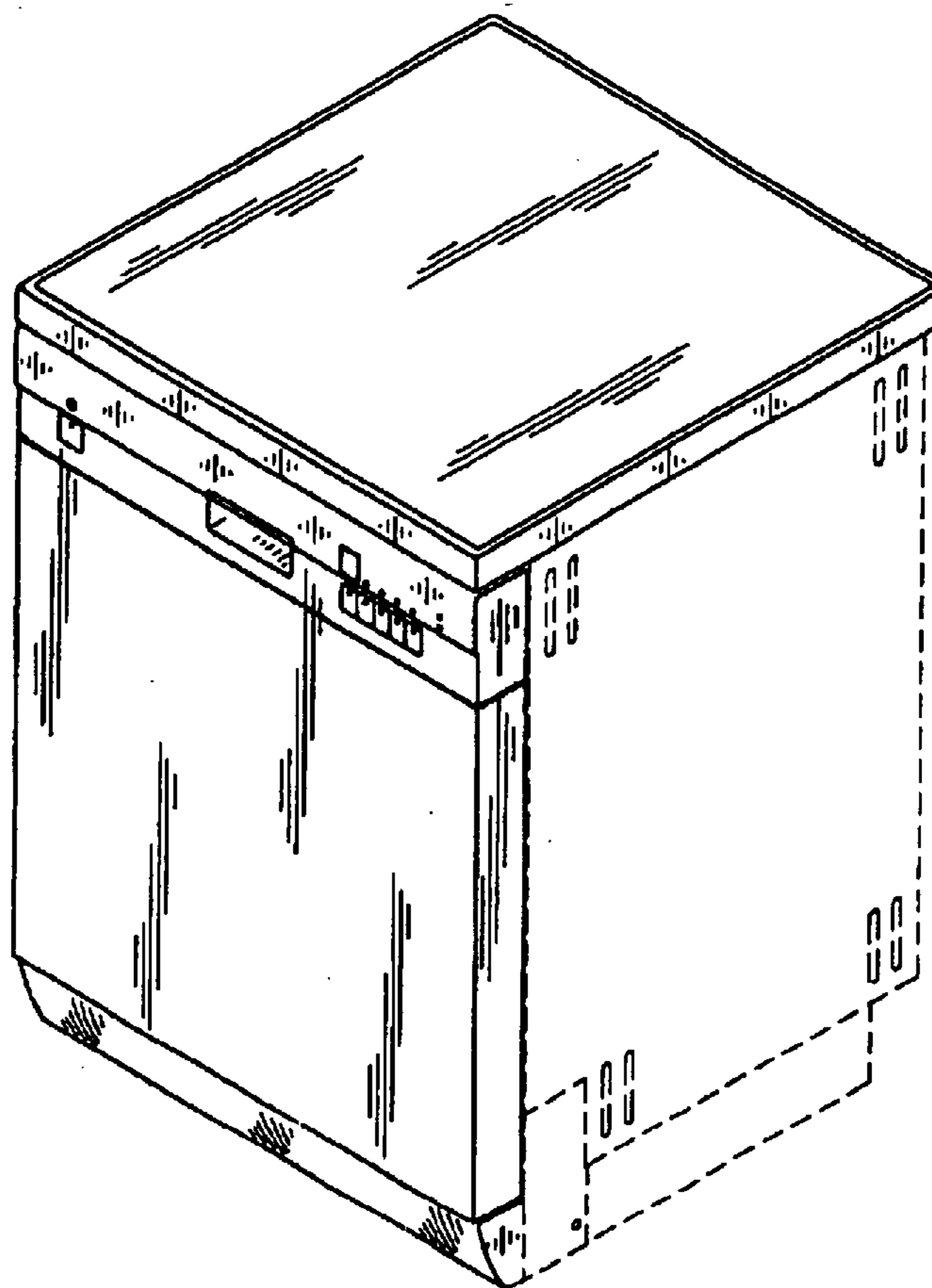
(57) **CLAIM**

The ornamental design for a dishwasher, as shown and described.

DESCRIPTION

FIG. 1 is a front perspective view of the dishwasher; FIG. 2 is a left side view thereof, the right side view being a mirror image; FIG. 3 is a front side view thereof; and, FIG. 4 is a top side view thereof. The dishwasher includes a plain and unornamented rear and bottom, which are not shown. The broken line showing of portions of the dishwasher is for illustrative purposes only and forms no part of the claimed design.

1 Claim, 2 Drawing Sheets



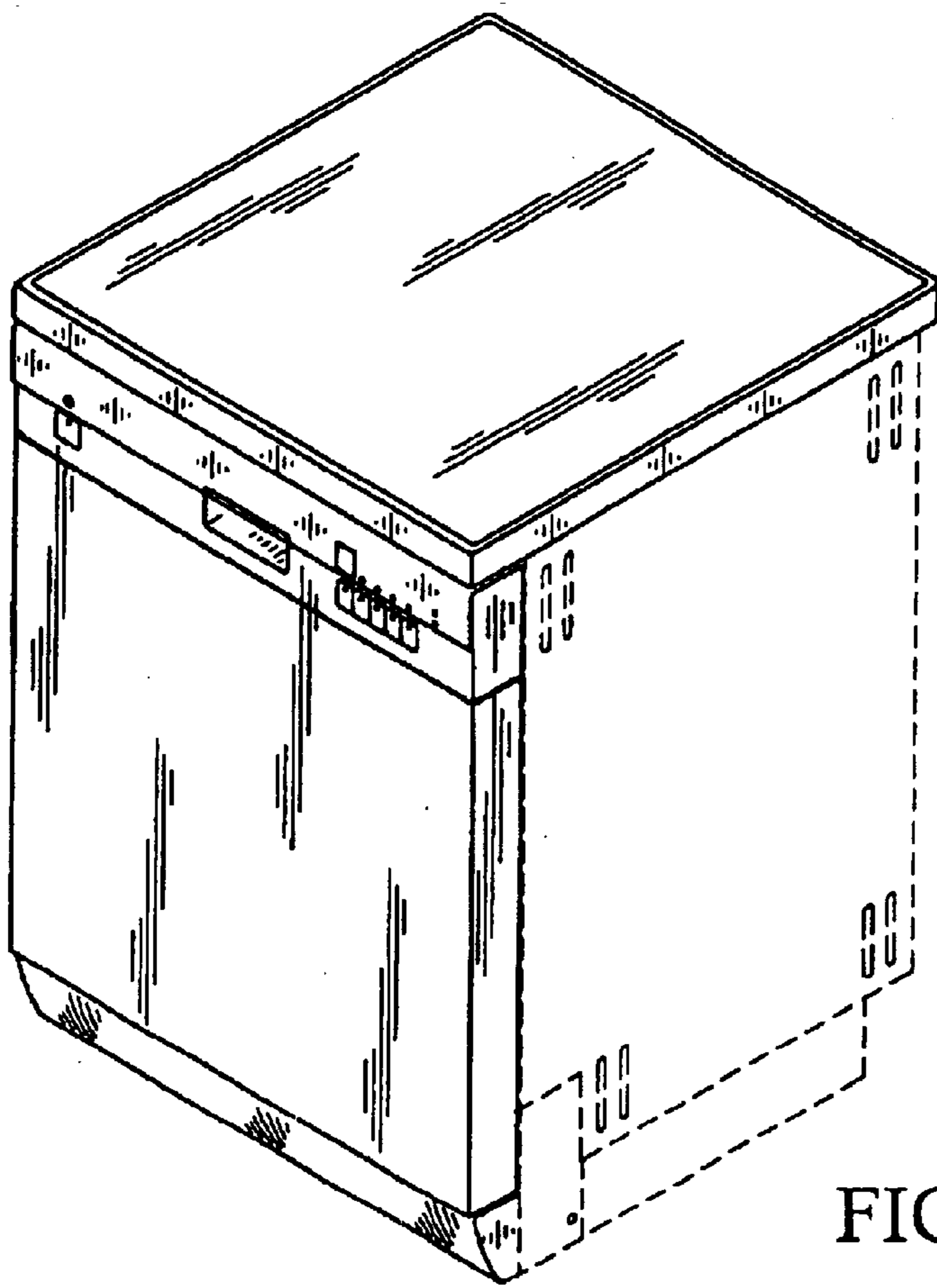


FIG. 1

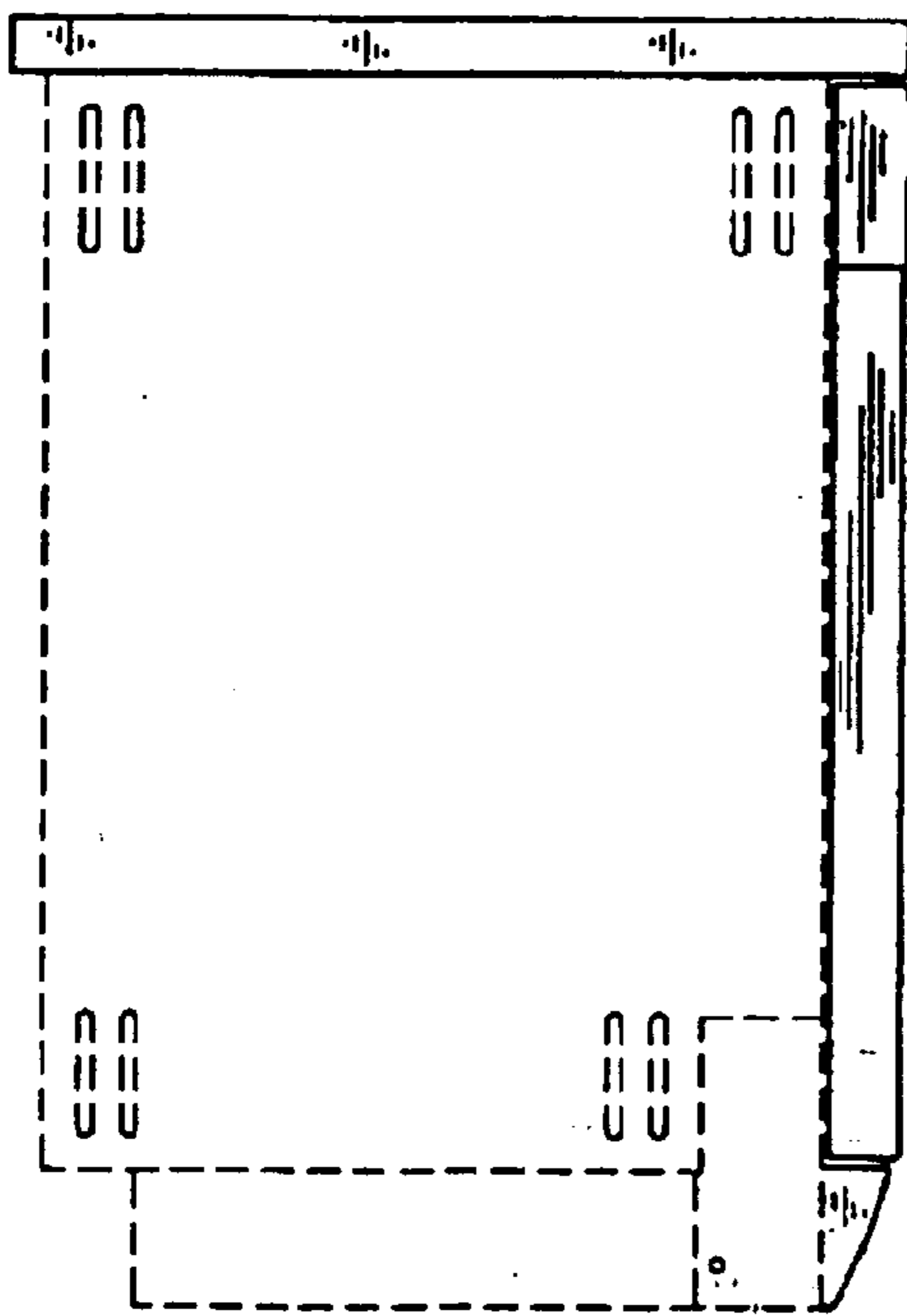


FIG. 2

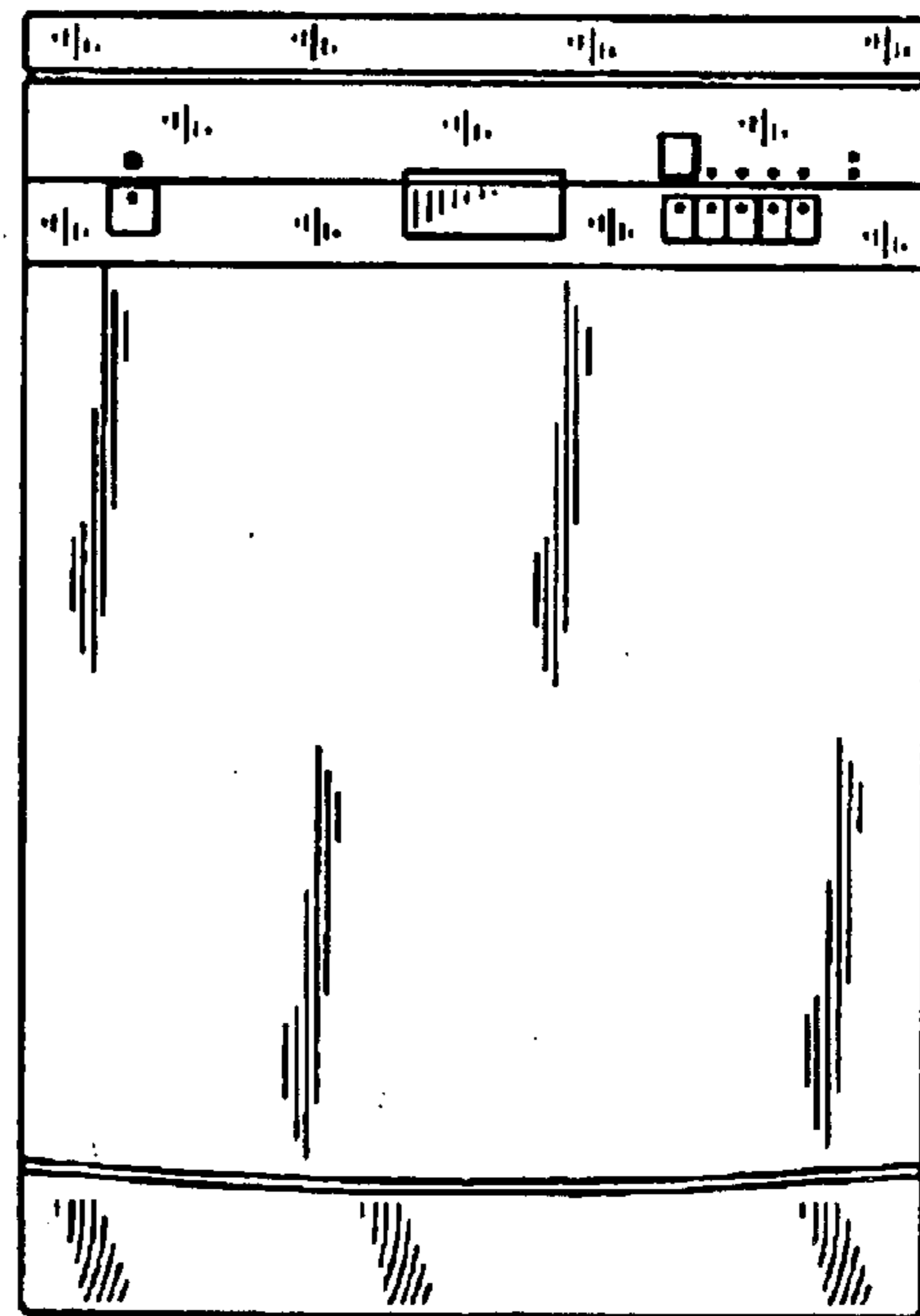


FIG. 3

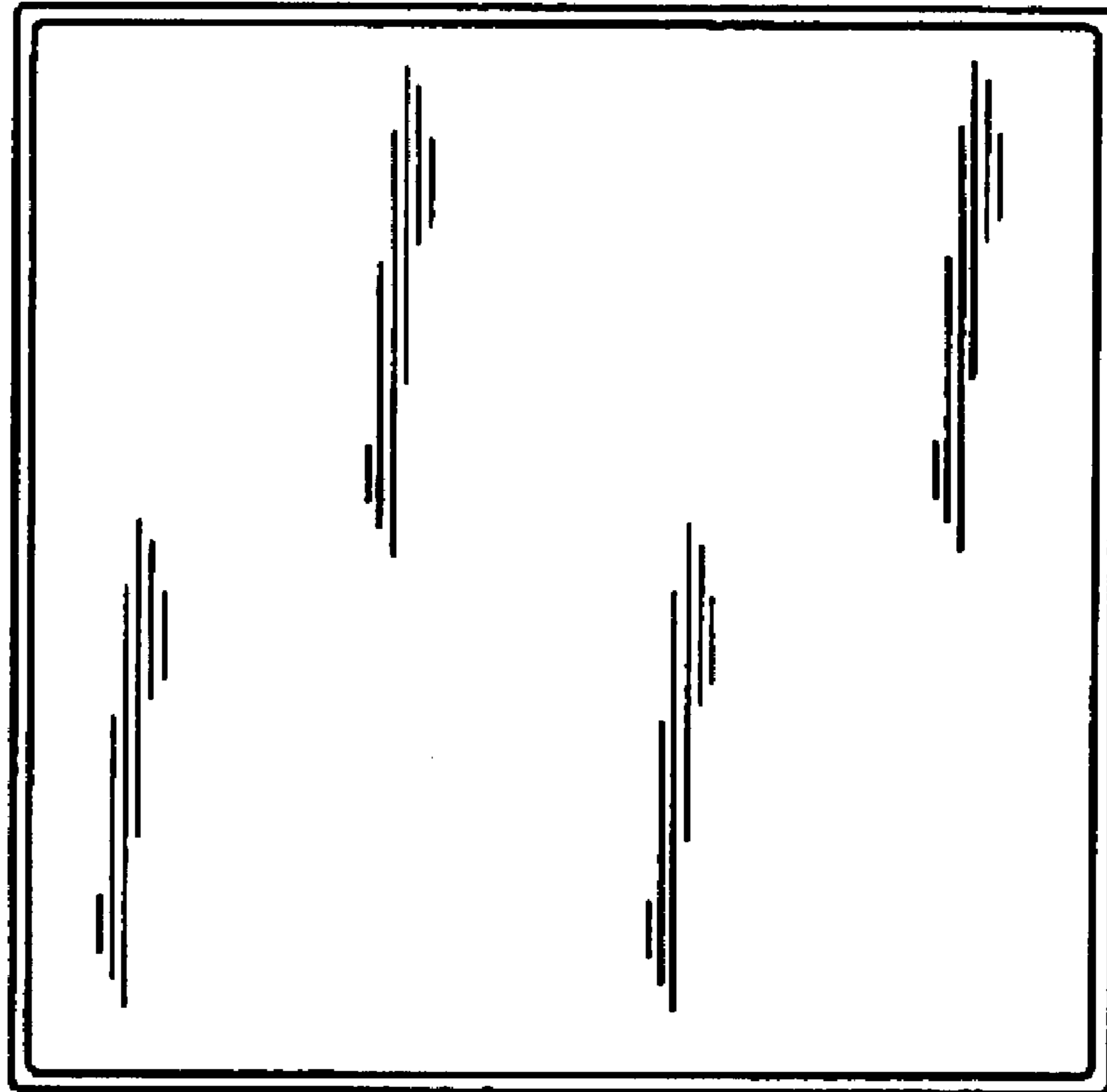


FIG. 4