



US00D501573S

(12) **United States Design Patent**
Benensohn

(10) **Patent No.:** **US D501,573 S**
(45) **Date of Patent:** **** Feb. 1, 2005**

(54) **LIGHTING FIXTURE**

(75) Inventor: **Sanford H. Benensohn**, Valencia, CA (US)

(73) Assignee: **Lusa Lighting, Inc.**, Valencia, CA (US)

(**) Term: **14 Years**

(21) Appl. No.: **29/185,326**

(22) Filed: **Jun. 27, 2003**

(51) **LOC (7) Cl.** **26-03**

(52) **U.S. Cl.** **D26/89**

(58) **Field of Search** D26/24, 27, 59,
D26/72, 79, 128, 131; 362/147, 404-408,
432

(56) **References Cited**

U.S. PATENT DOCUMENTS

D94,669 S * 2/1935 Drake D26/131
D464,164 S * 10/2002 Thompson D26/89

OTHER PUBLICATIONS

Progress Lighting (c)2000 Catalog: (1 page), Item7376-31 on p. 206.*

Asiaalex.com (c)2002; (4 pages), Circline Fluorescent light fixtures AE2000, AE4000 and AE6000.*

* cited by examiner

Primary Examiner—Clare E Heflin

(74) *Attorney, Agent, or Firm*—Michael A. Painter

(57) **CLAIM**

The ornamental design for a lighting fixture, as described and shown.

DESCRIPTION

FIG. 1 is a perspective view of a lighting fixture illustrating my new design;

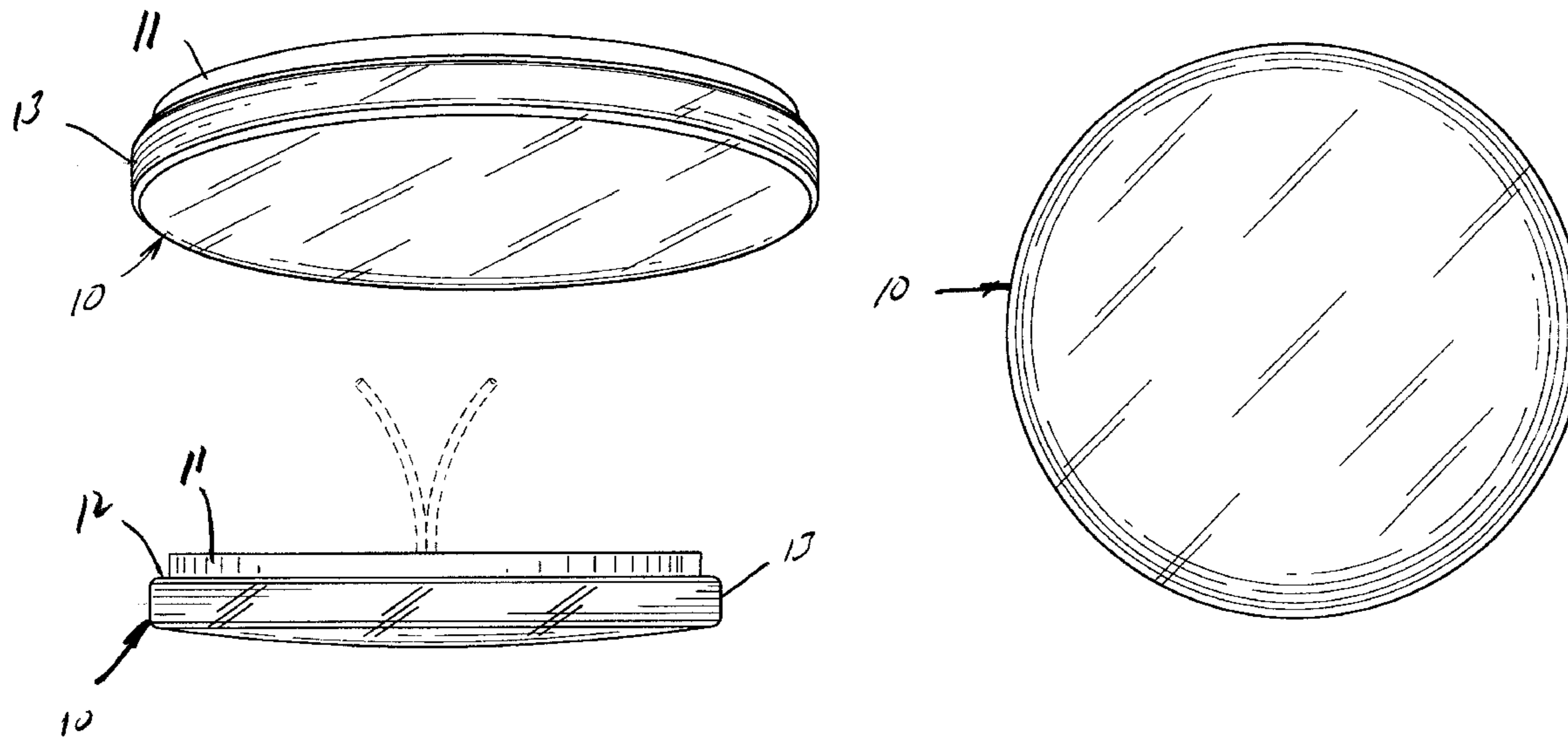
FIG. 2 is a side elevation view thereof;

FIG. 3 is a top plan view thereof; and,

FIG. 4 is a bottom plan view thereof.

The broken line showing wires in FIGS. 2 and 4 are environmental structure only and does not form part of the claimed invention.

1 Claim, 1 Drawing Sheet



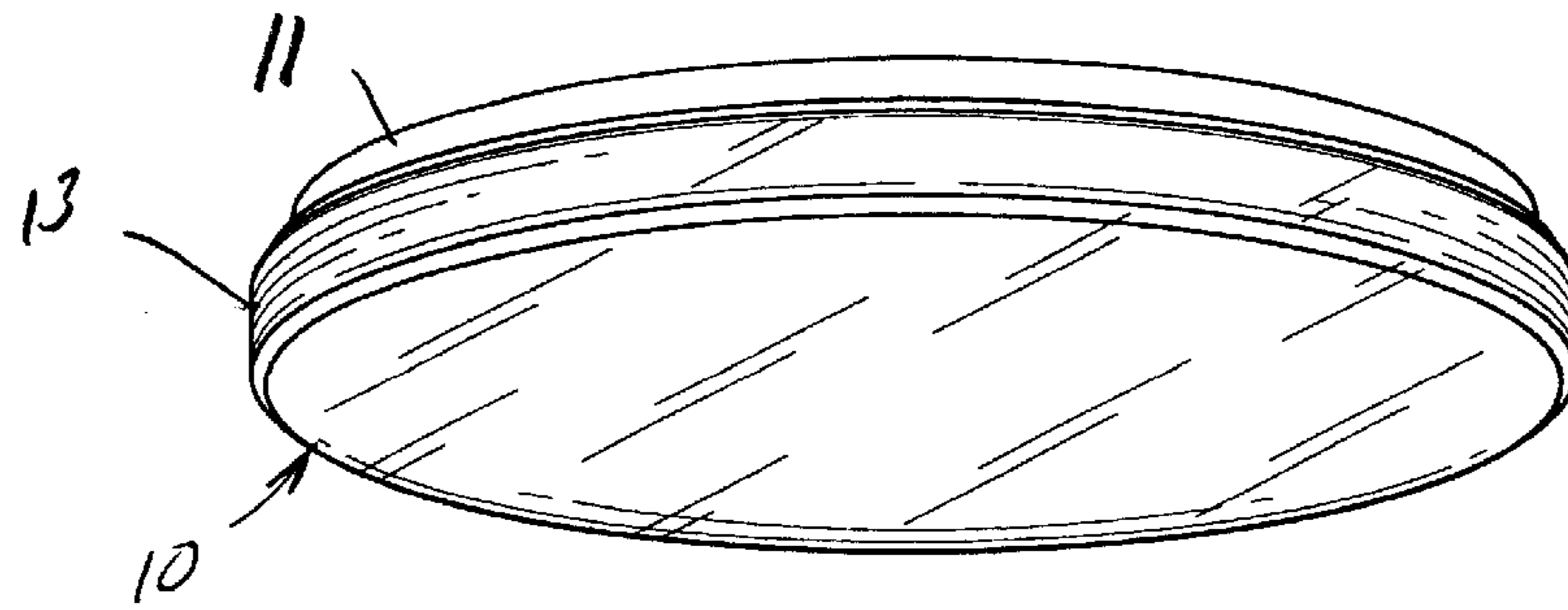


Fig. 1

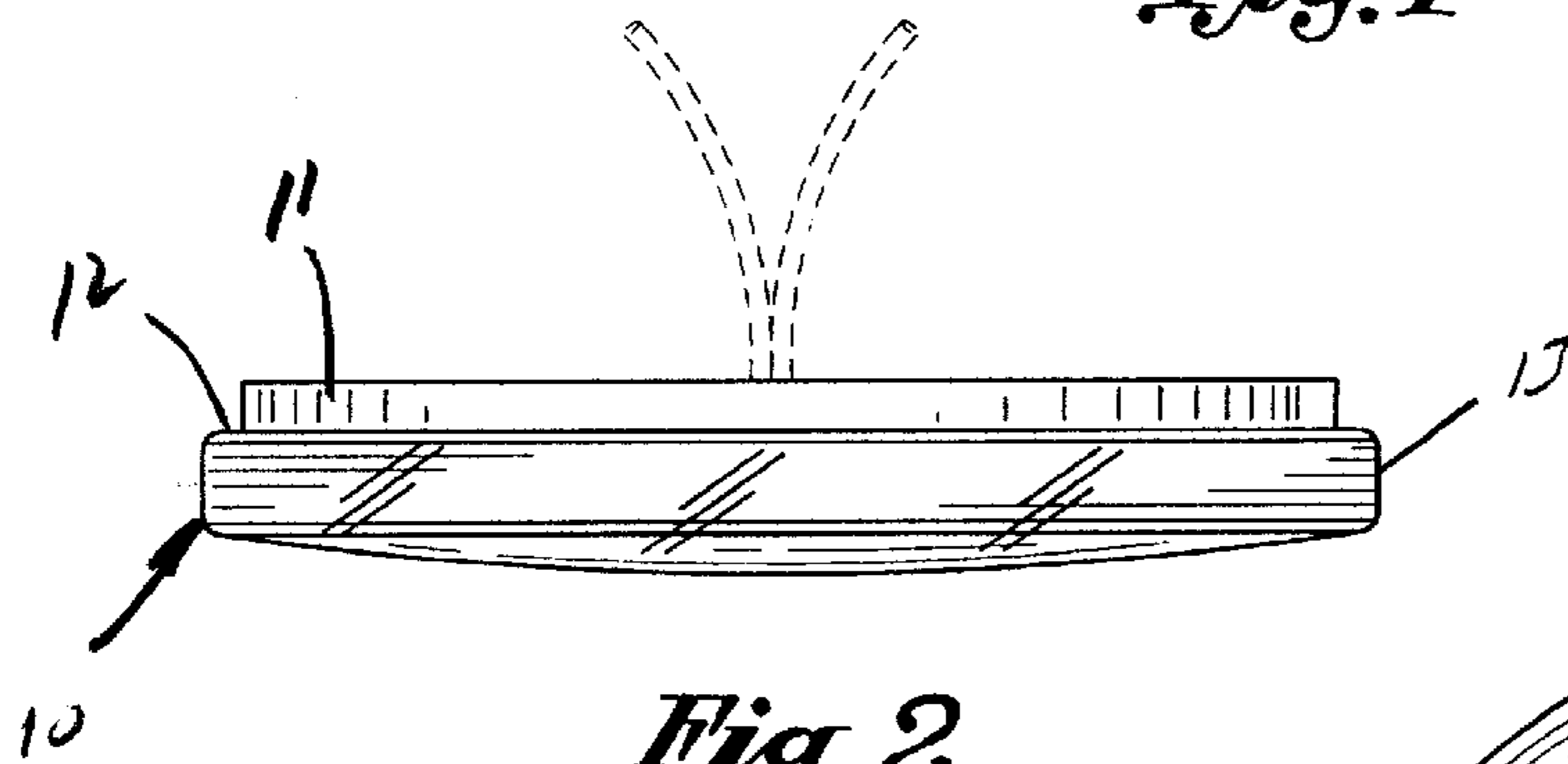


Fig. 2

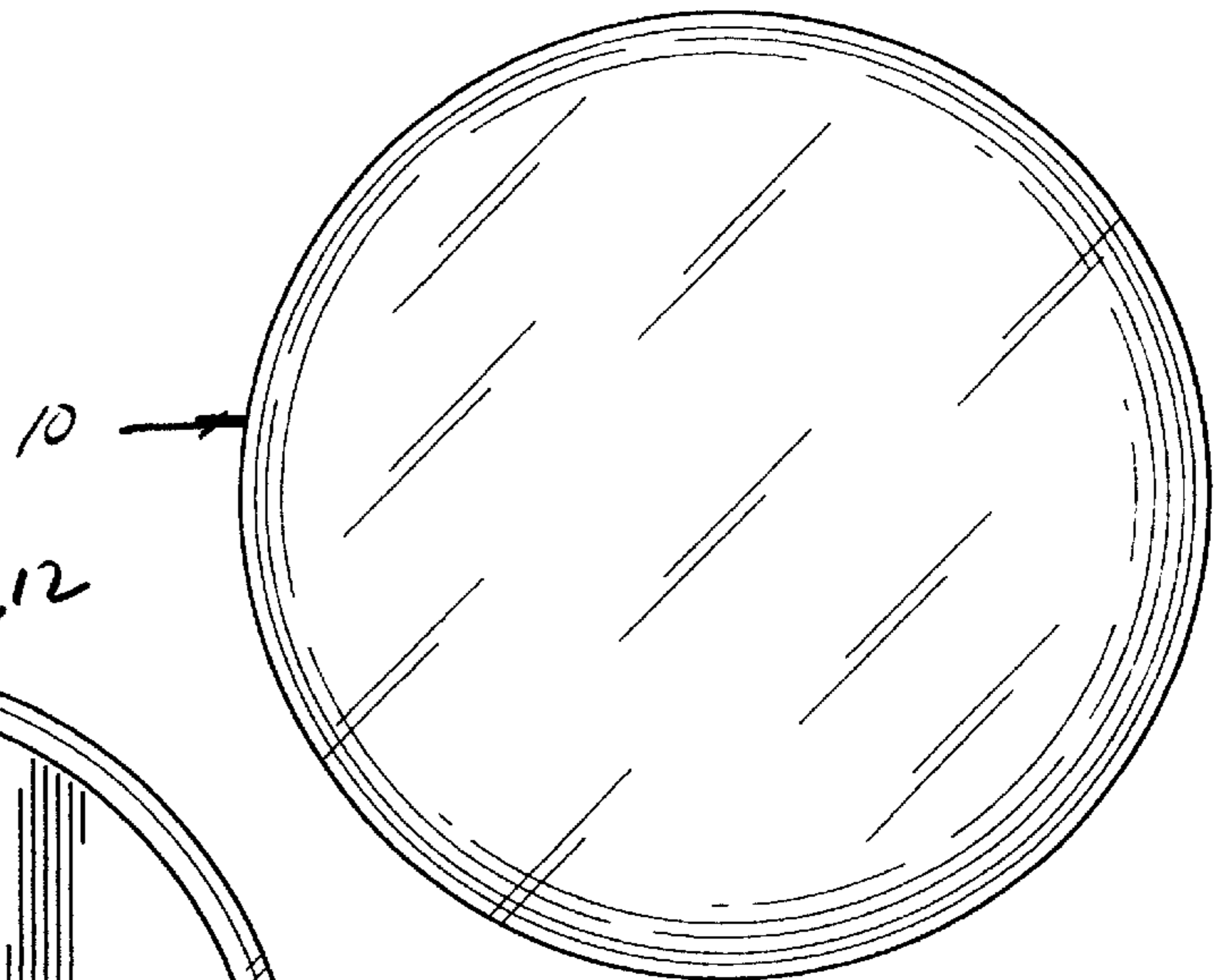


Fig. 3

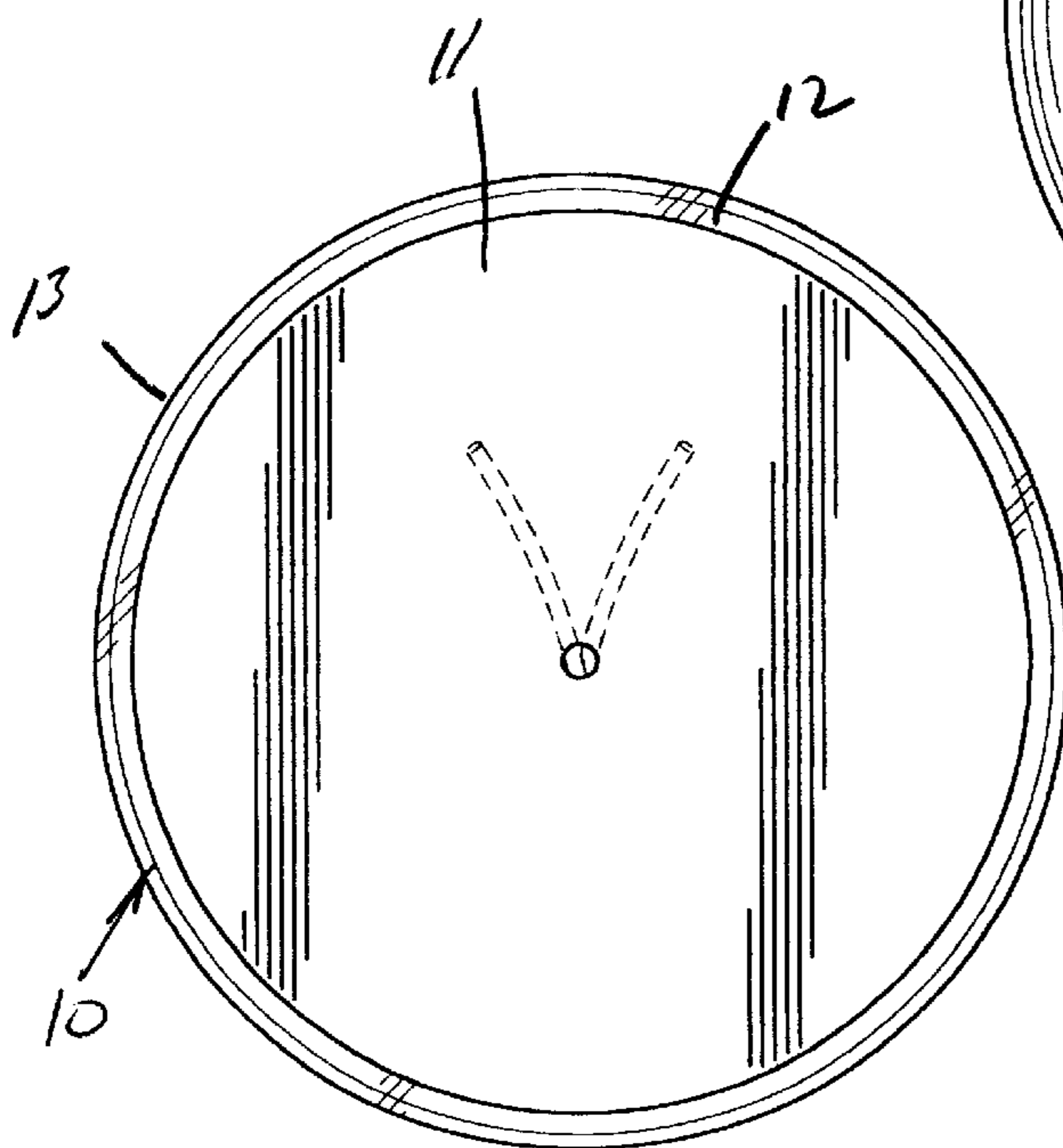


Fig. 4