



US00D501572S

(12) **United States Design Patent**
Lee

(10) **Patent No.: US D501,572 S**
(45) **Date of Patent: ** Feb. 1, 2005**

(54) **WALL LAMP**

Primary Examiner—Clare E Heflin

(76) **Inventor: Ying-Jue Lee**, 3F, No. 10, Alley 16,
Lane 205, Sec. 3, Hsien Ming Da Doa,
Panchou, Taipei Hsien (TW), 220

(57) **CLAIM**

The ornamental design for a wall lamp, as shown and described.

(**) **Term: 14 Years**

DESCRIPTION

(21) **Appl. No.: 29/205,324**

FIG. 1 is a perspective view of wall lamp showing my new design;

(22) **Filed: May 11, 2004**

FIG. 2 is a front elevational view thereof;

(51) **LOC (7) Cl. 26-03**

FIG. 3 is a rear elevational view thereof;

(52) **U.S. Cl. D26/86; D26/80; D26/92**

FIG. 4 is a left side elevational view thereof;

(58) **Field of Search D26/72, 80, 92,**

FIG. 5 is a right side elevational view thereof;

D26/85-87, 145, 155; 362/147, 432

FIG. 6 is a top plan view thereof; and

FIG. 7 is a bottom plan view thereof.

(56) **References Cited**

FIG. 8 is a perspective view of a wall lamp showing a second embodiment of my new design;

U.S. PATENT DOCUMENTS

FIG. 9 is a front elevational view thereof;

D450,875 S * 11/2001 Yang D26/87

FIG. 10 is a rear elevational view thereof;

D457,678 S * 5/2002 Yang D26/80

FIG. 11 is a left side elevational view thereof;

D483,140 S * 12/2003 Lee D26/80

FIG. 12 is a right side elevational view thereof;

D483,141 S * 12/2003 Lee D26/80

FIG. 13 is a top plan view thereof; and,

OTHER PUBLICATIONS

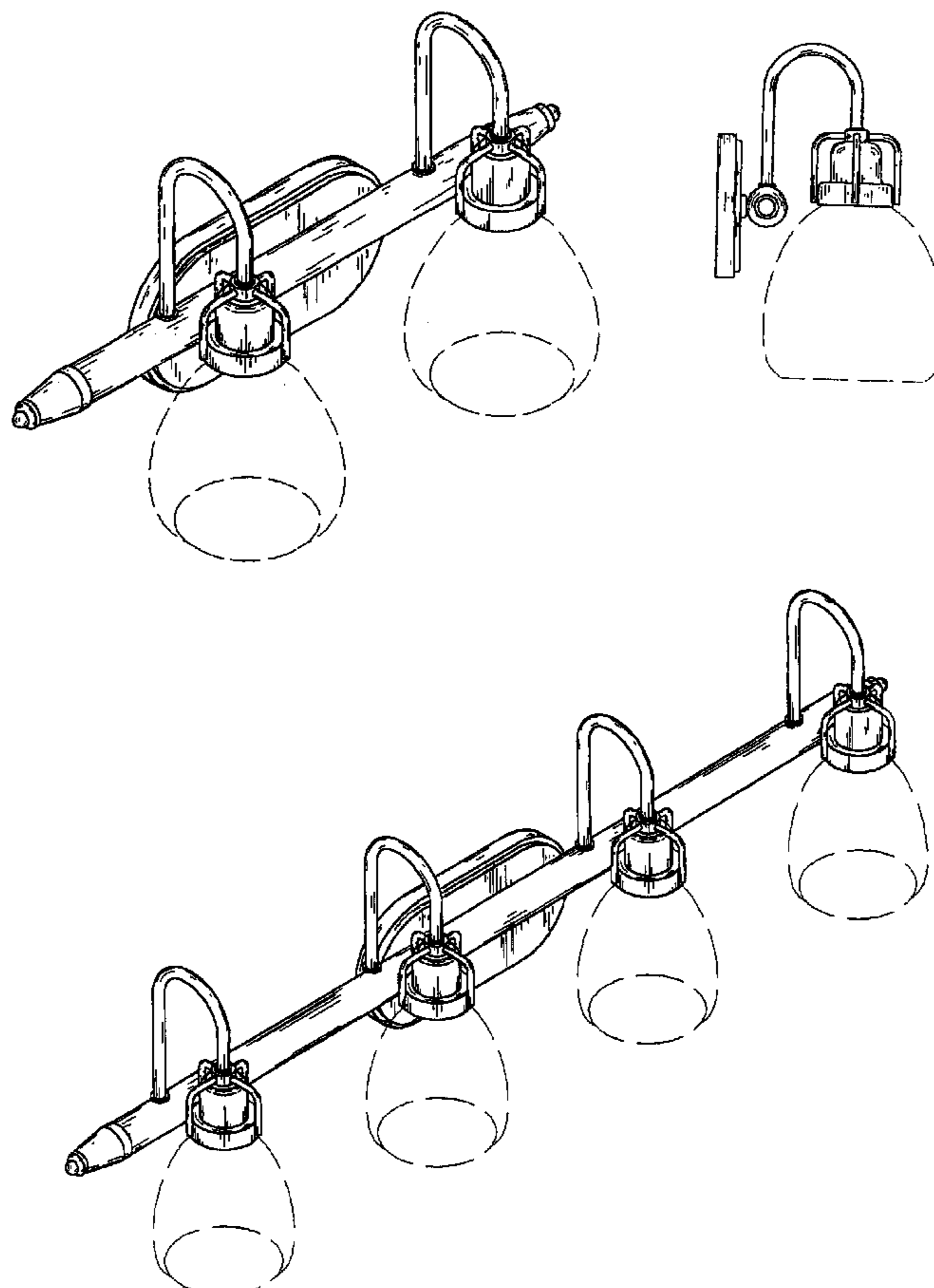
FIG. 14 is a bottom plan view thereof.

“Stockton” 2-Light Bath Bar #39187 from bellacor.com. (1 page) Found online Sep. 1, 2004.*

The broken lines are shown for illustrative purpose only, and forming no part of the claimed design.

* cited by examiner

1 Claim, 8 Drawing Sheets



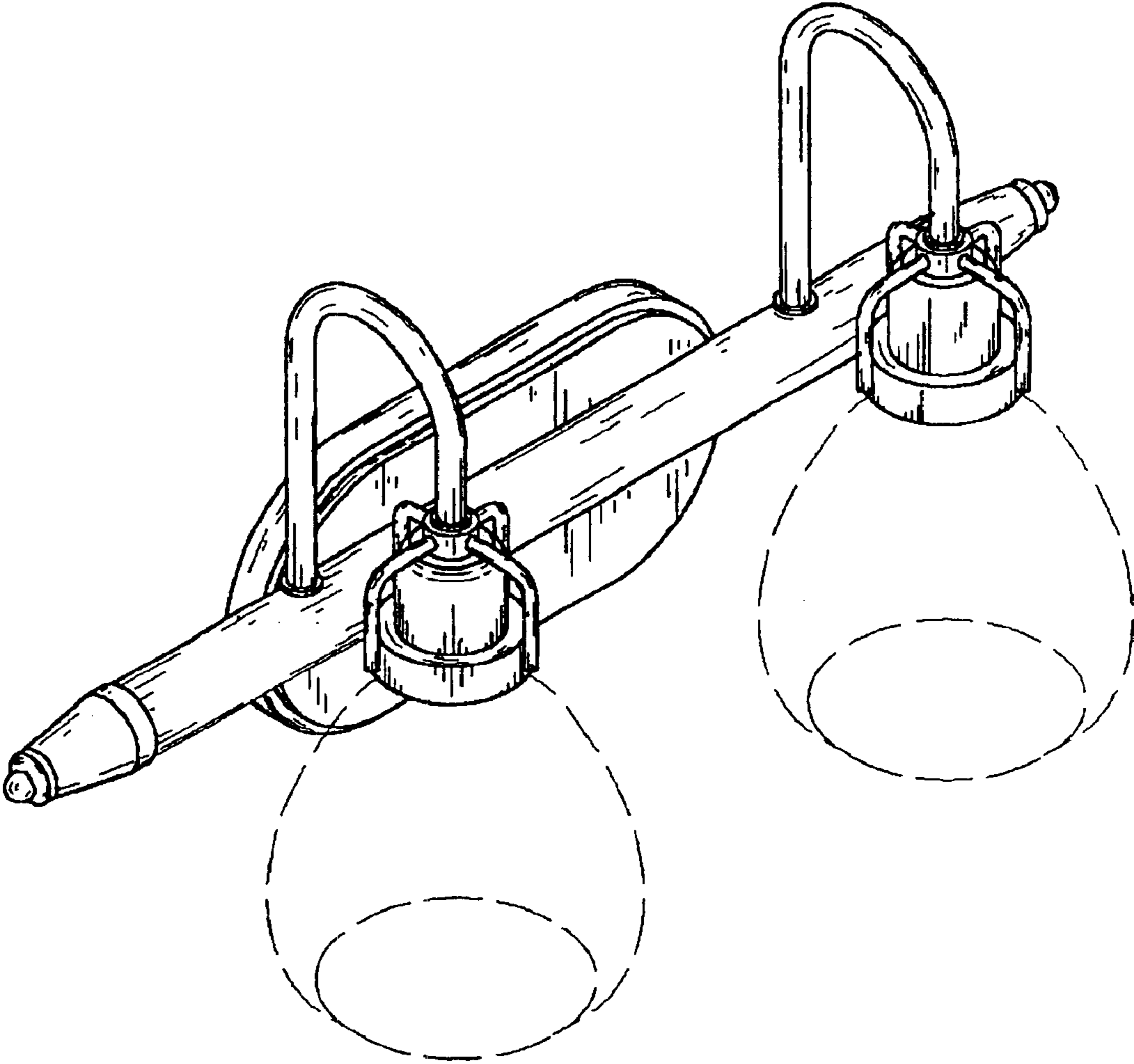


Fig. 1

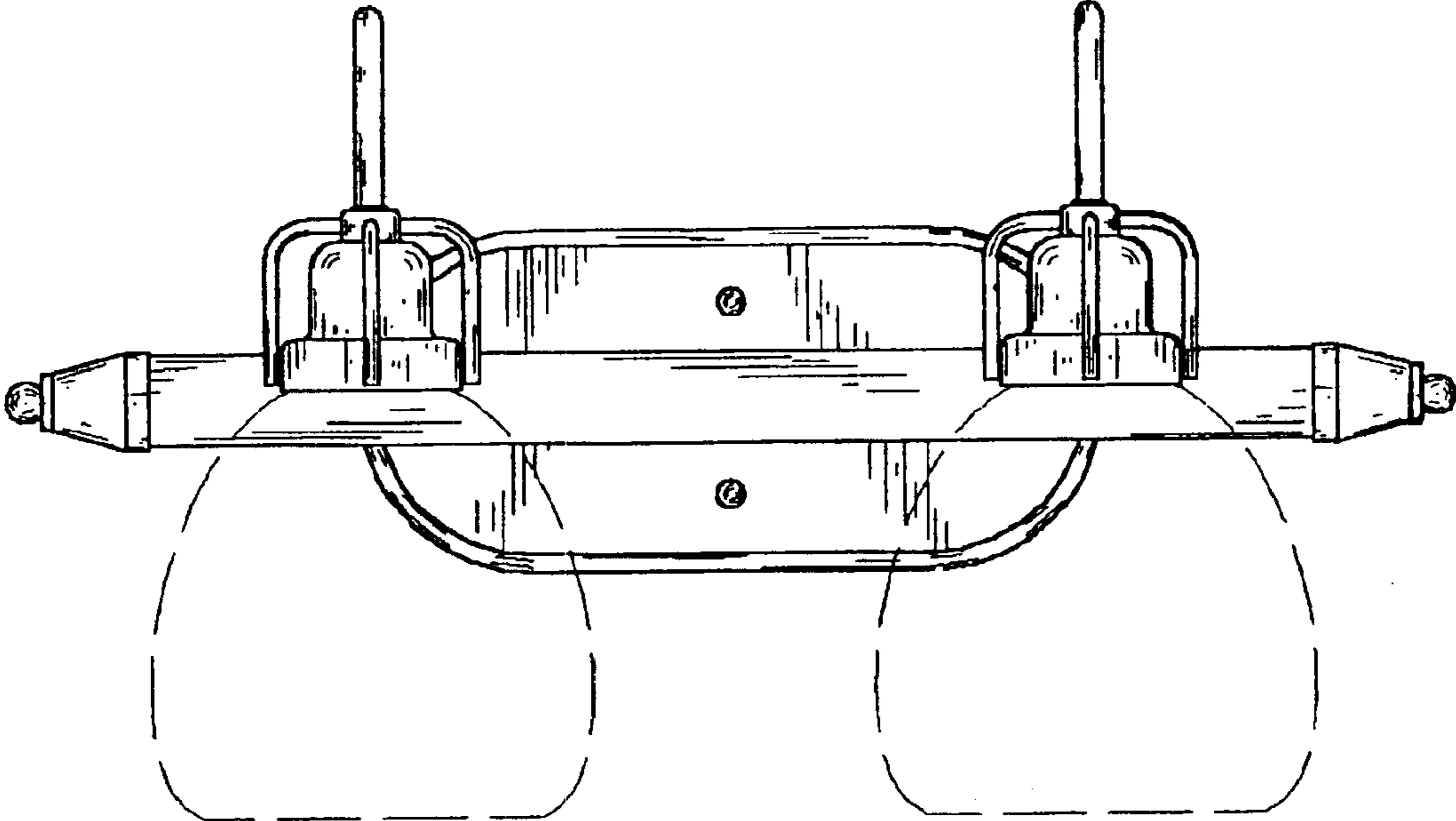


Fig. 2

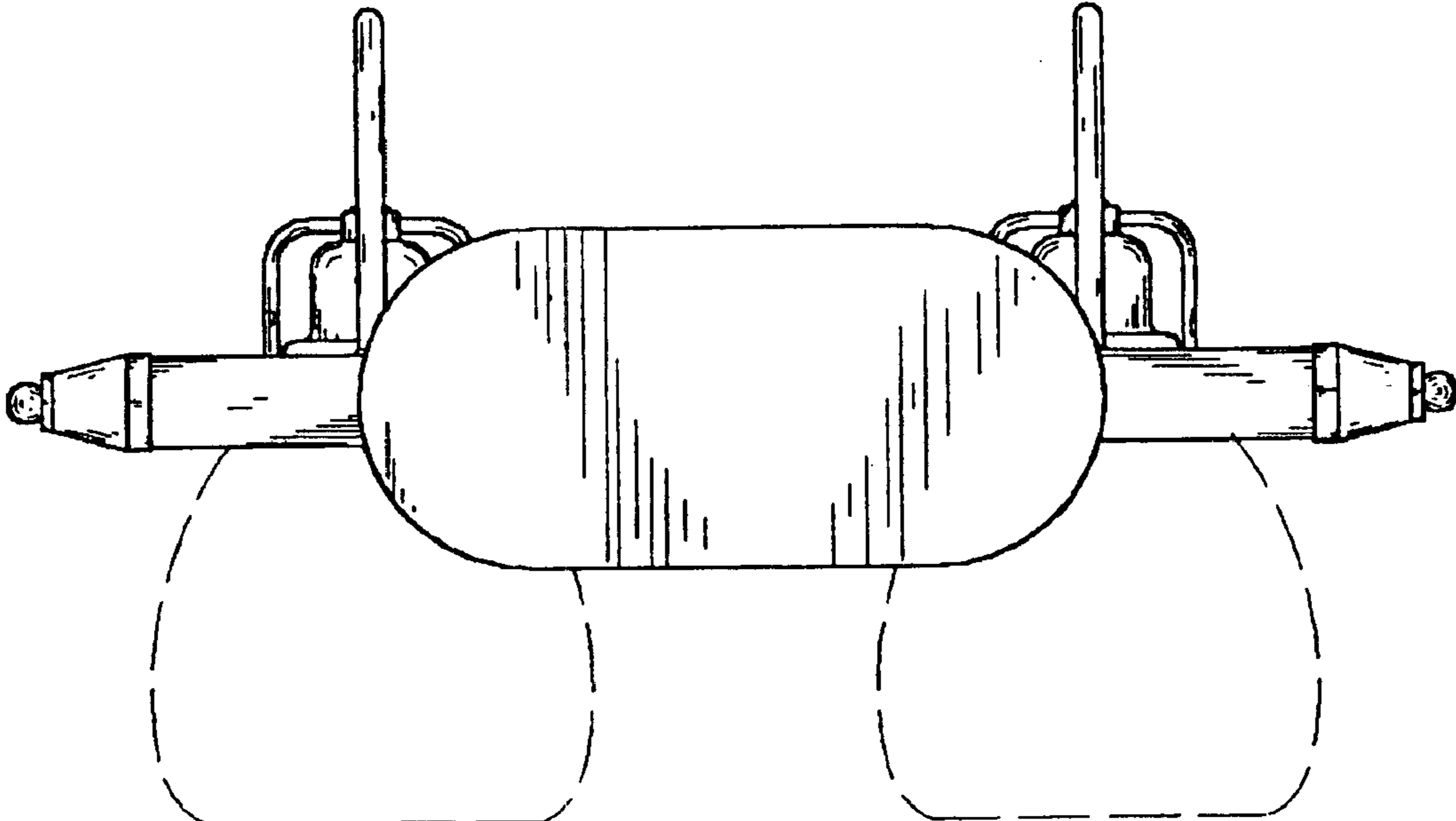


Fig. 3

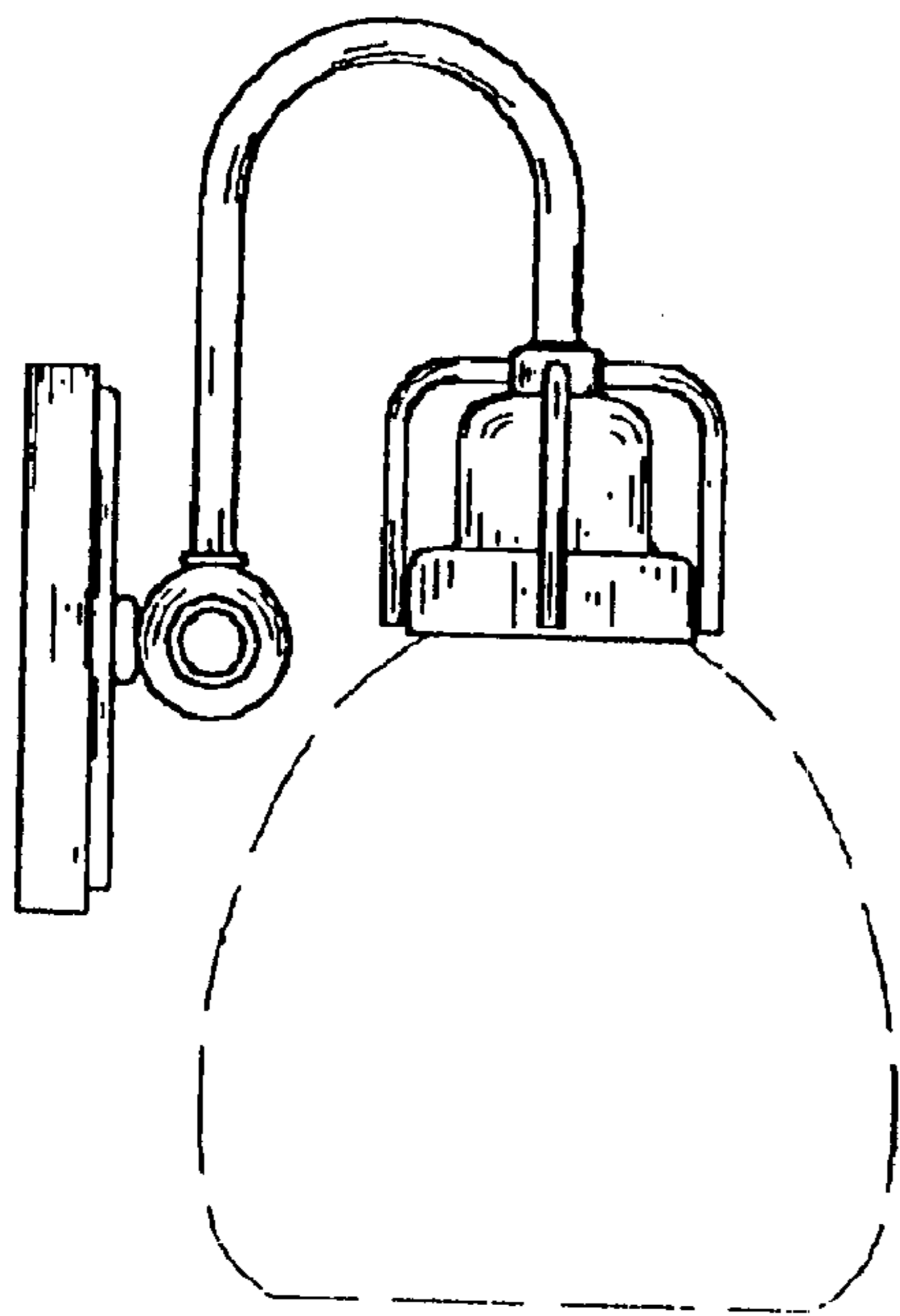


Fig. 4

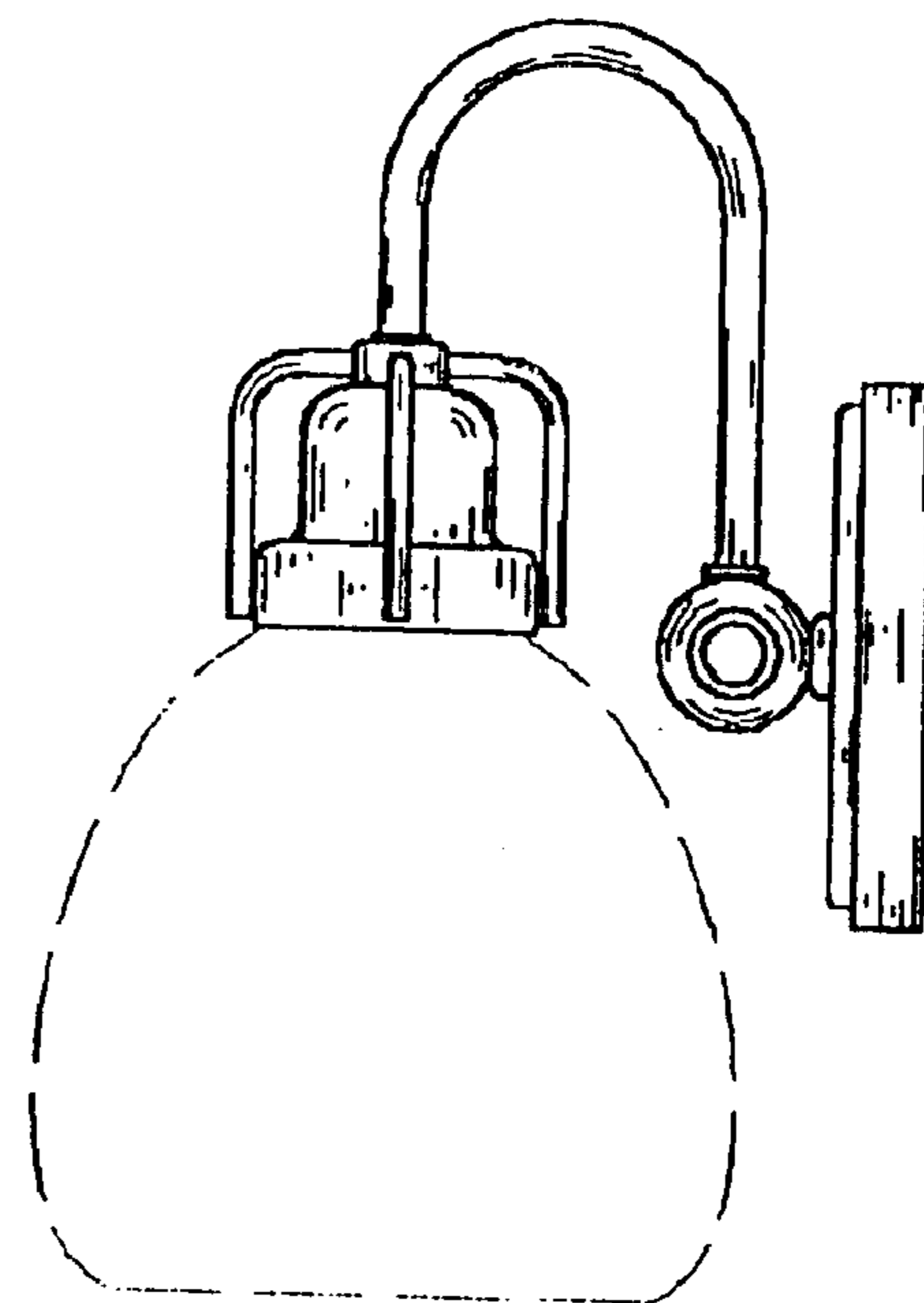


Fig. 5

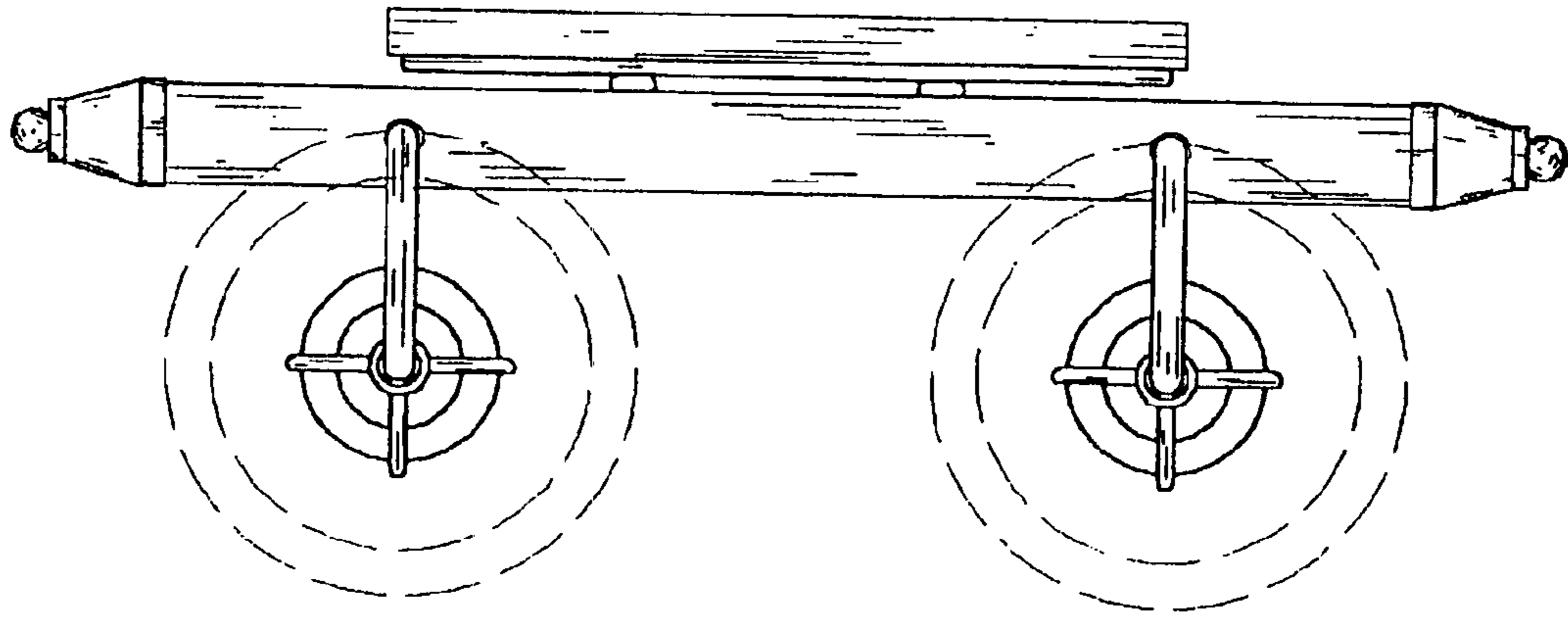


Fig. 6

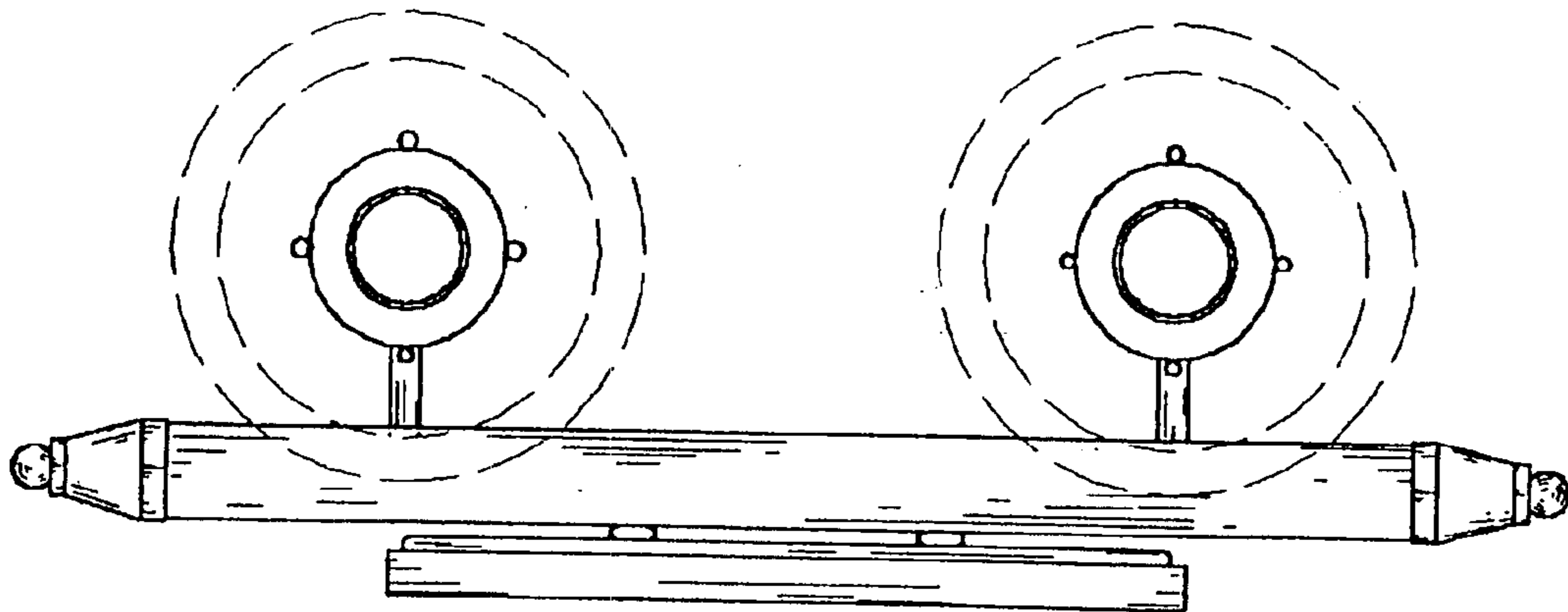


Fig. 7

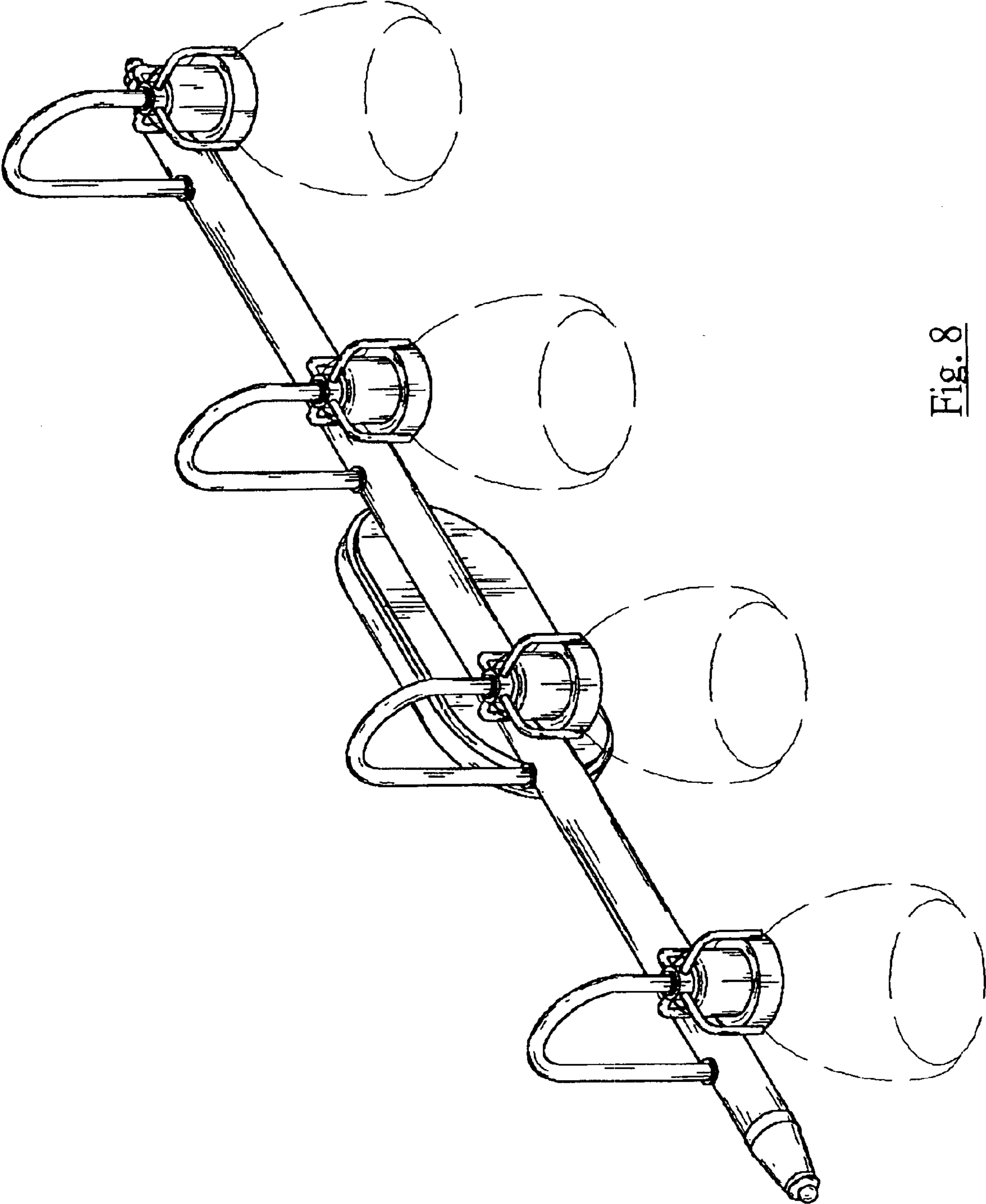


Fig. 8

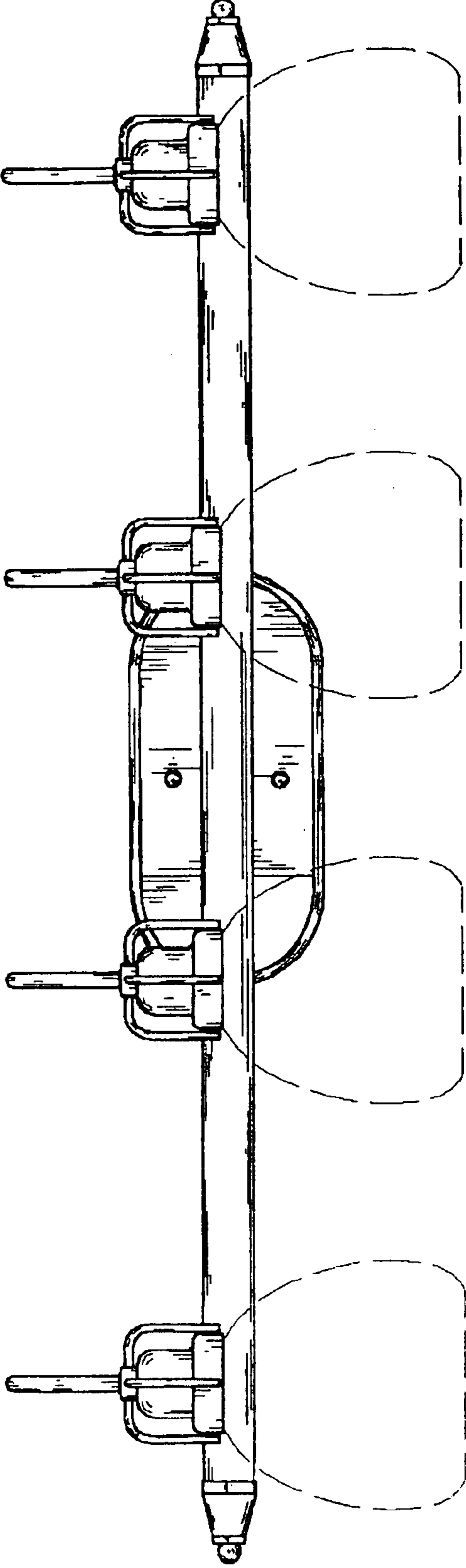


Fig. 9

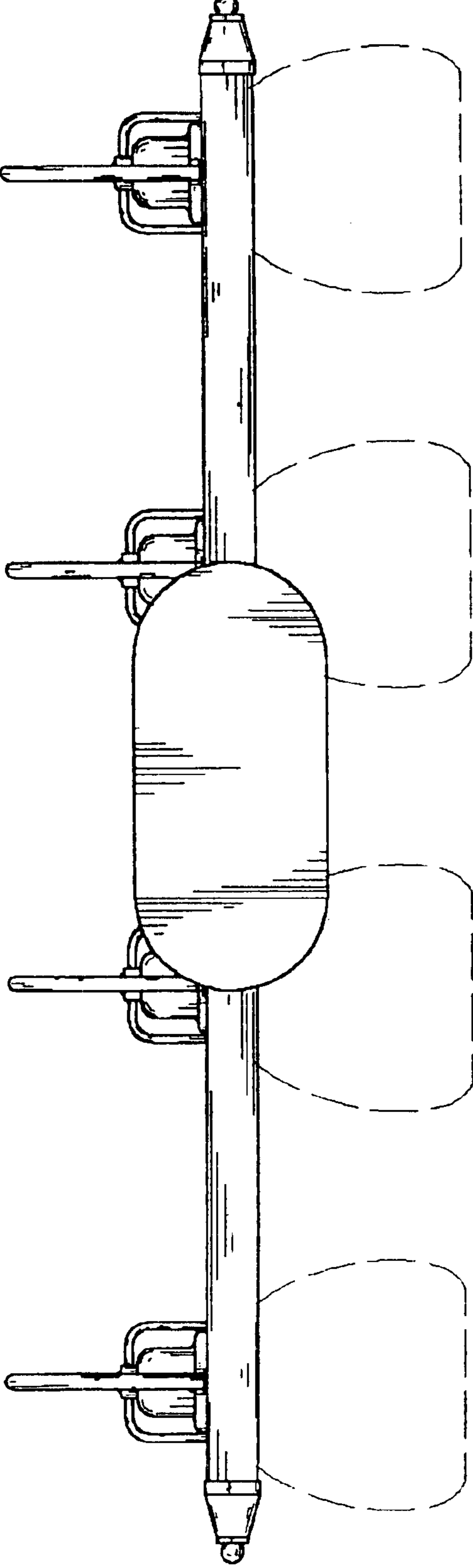


Fig. 10

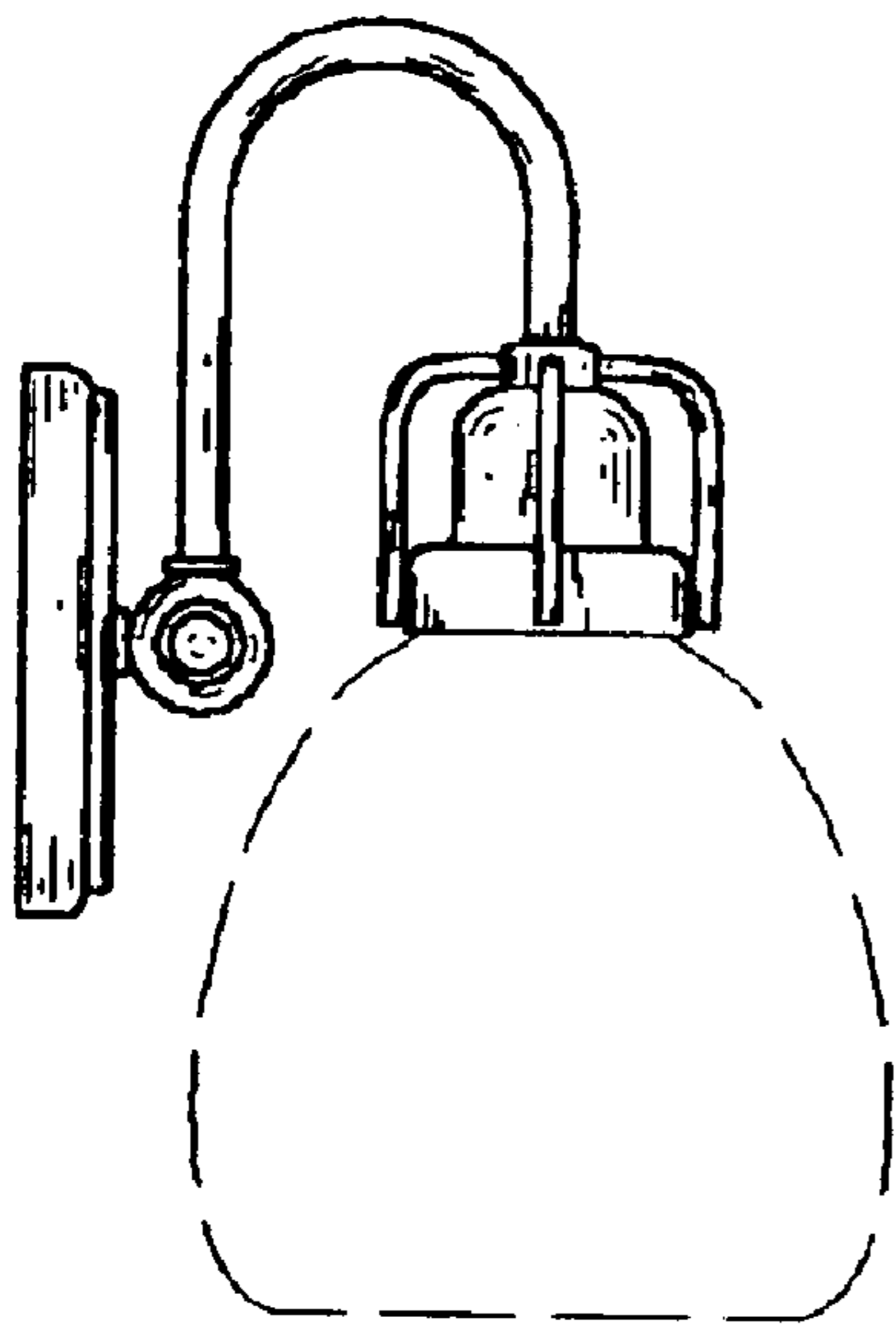


Fig. 11

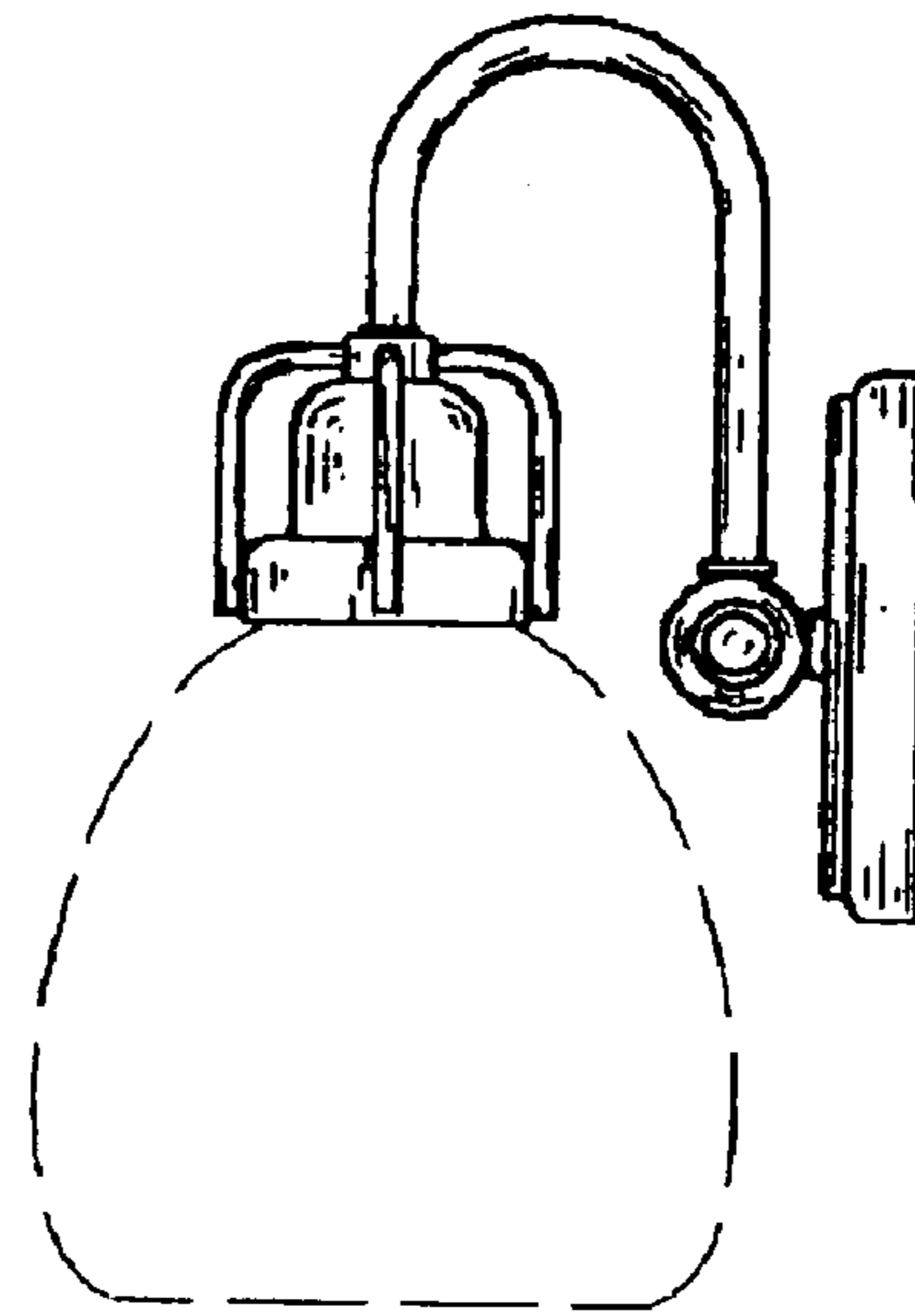


Fig. 12

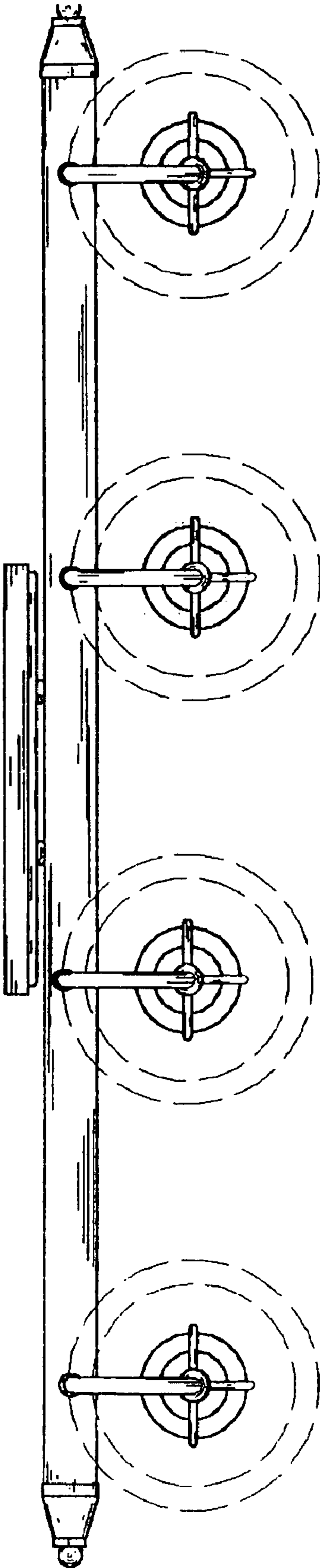


Fig. 13

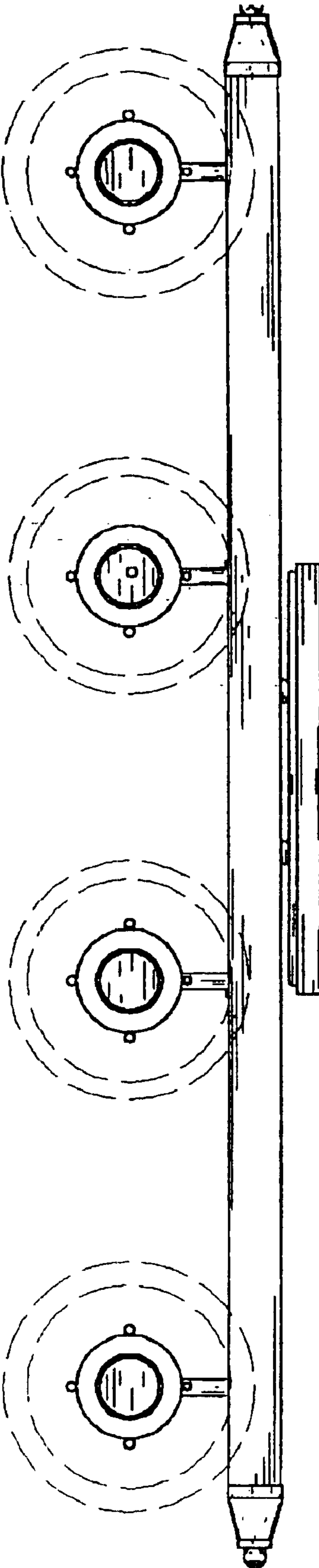


Fig. 14