

US00D501564S

(12) **United States Design Patent**  
**Kuramochi**

(10) **Patent No.:** **US D501,564 S**

(45) **Date of Patent:** **\*\* Feb. 1, 2005**

(54) **FRAME MEMBER FOR GLASS DOOR**

(74) *Attorney, Agent, or Firm*—Osha & May L.L.P.

(75) **Inventor:** **Nobuyuki Kuramochi, Koshigaya (JP)**

(57) **CLAIM**

(73) **Assignee:** **Sugatsune Kogyo Co., Ltd., Tokyo (JP)**

The ornamental design for a frame member for glass door, as shown and described.

(\*\*) **Term:** **14 Years**

**DESCRIPTION**

(21) **Appl. No.:** **29/202,653**

FIG. 1 shows the top view of the design according to an embodiment of the invention.

(22) **Filed:** **Apr. 2, 2004**

FIG. 2 shows the front view of the design according to the above mentioned embodiment of the invention. The back view being a mirror image of the front view.

(30) **Foreign Application Priority Data**

Oct. 3, 2003 (JP) ..... 2003-029199

FIG. 3 shows a bottom view of the design according to the above mentioned embodiment of the invention.

(51) **LOC (7) Cl.** ..... **25-01**

FIG. 4 shows a left side view of the design according to the above mentioned embodiment of the invention. The right side view being a mirror image of the left side view.

(52) **U.S. Cl.** ..... **D25/122**

(58) **Field of Search** ..... D25/122; 52/210, 52/205, 204.1, 204, 204.55; 49/DIG. 2

FIG. 5 shows a sectional view of the design according to the above mentioned embodiment of the invention taken along the line 5—5 as shown in FIG. 2.

(56) **References Cited**

**U.S. PATENT DOCUMENTS**

2,024,192 A \* 12/1935 Verhagen ..... 49/489.1  
D98,067 S \* 1/1936 Hendrickson ..... D25/122  
6,167,662 B1 \* 1/2001 Gruber ..... 52/204.1

FIG. 6 shows a perspective view of the design according to the above mentioned embodiment of the invention; and,

**FOREIGN PATENT DOCUMENTS**

JP D1190356 11/2003

FIG. 7 shows the front view of the design according to the above mentioned embodiment in use.

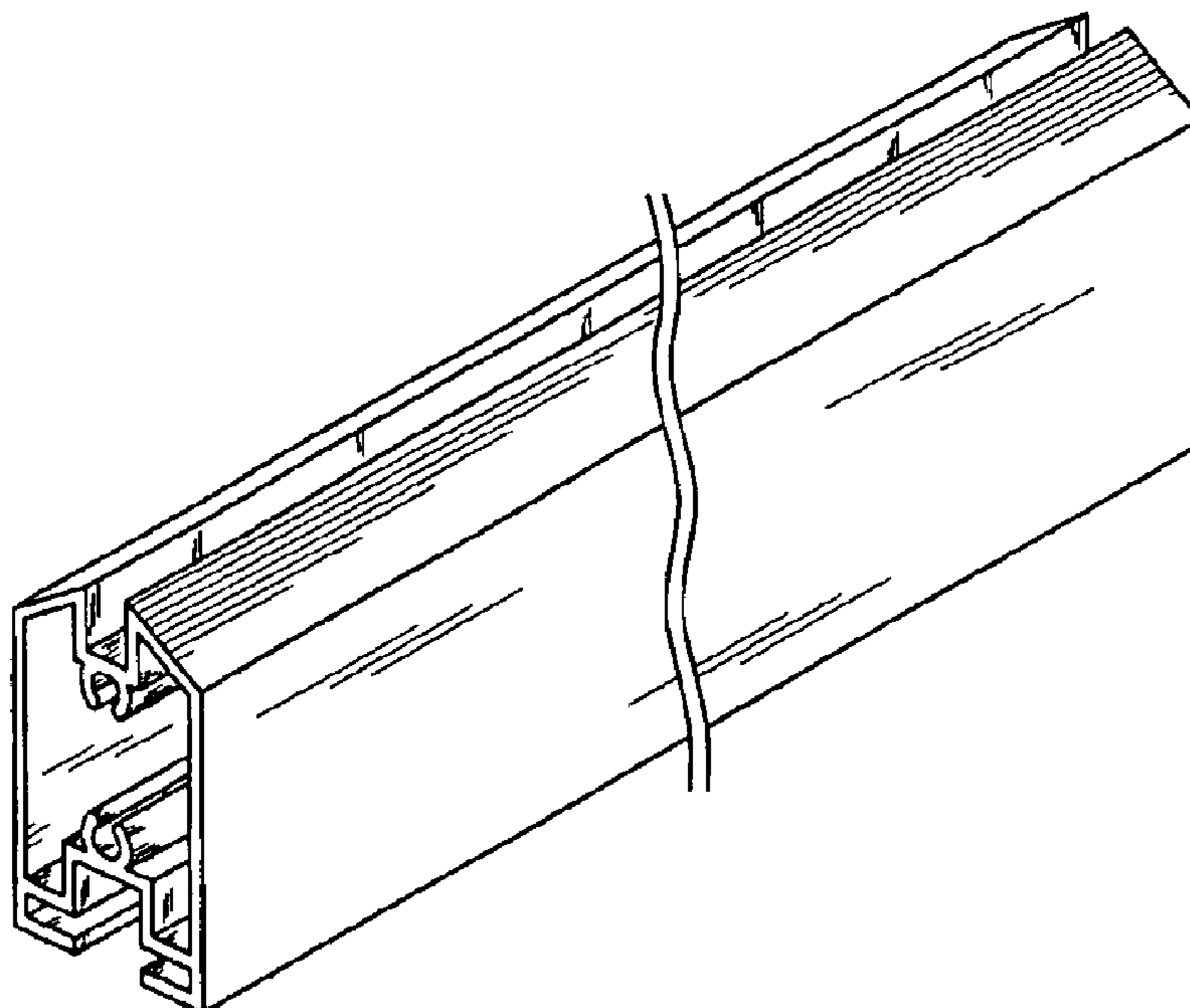
\* cited by examiner

The broken lines show environmental structure, are for illustrative purposes only, and form no part of the claimed design.

The views as shown in FIGS. 1–3 and 6 are broken indicating indefinite length.

*Primary Examiner*—Doris Clark

**1 Claim, 3 Drawing Sheets**



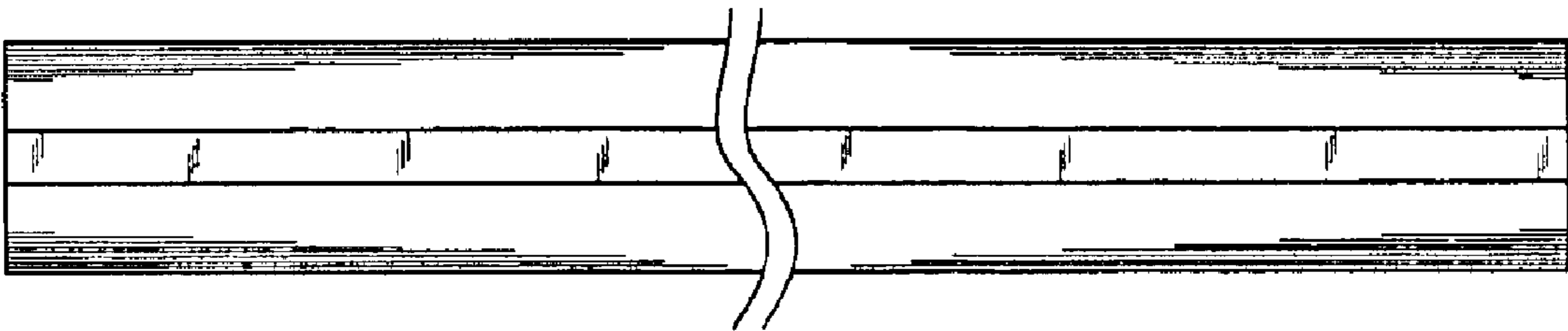


FIG. 1

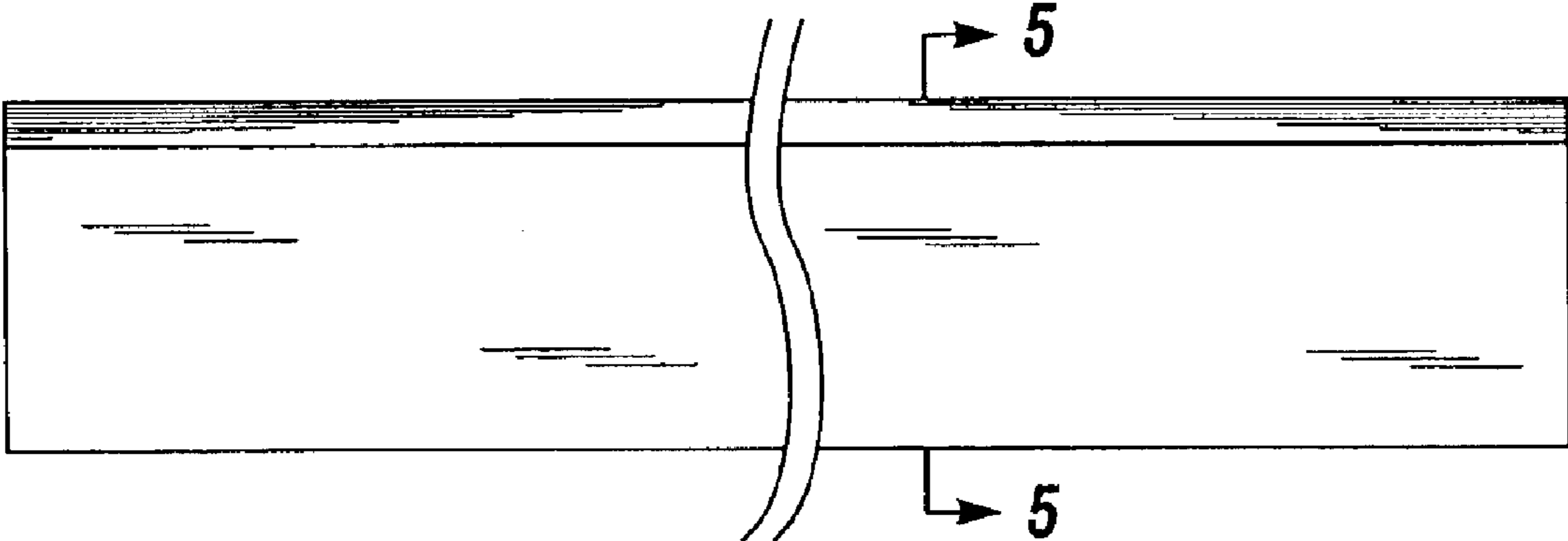


FIG. 2

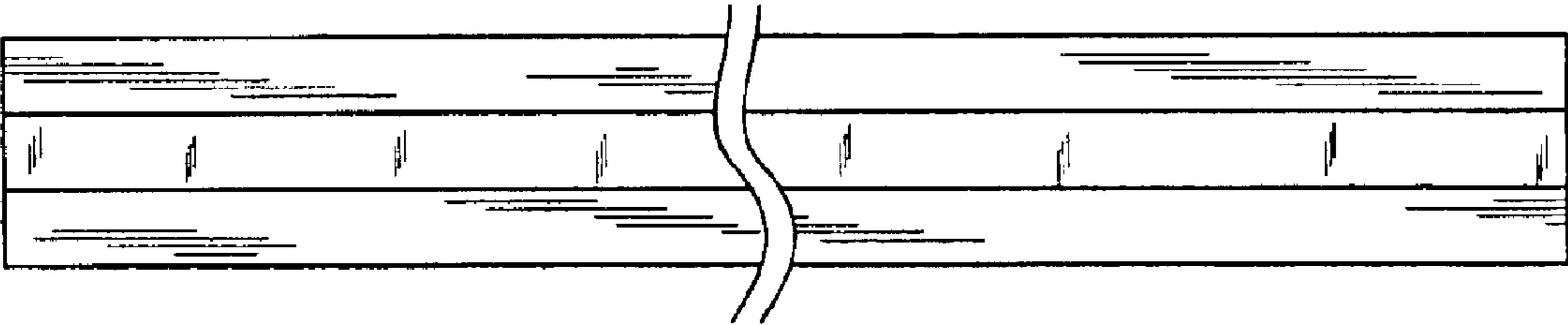
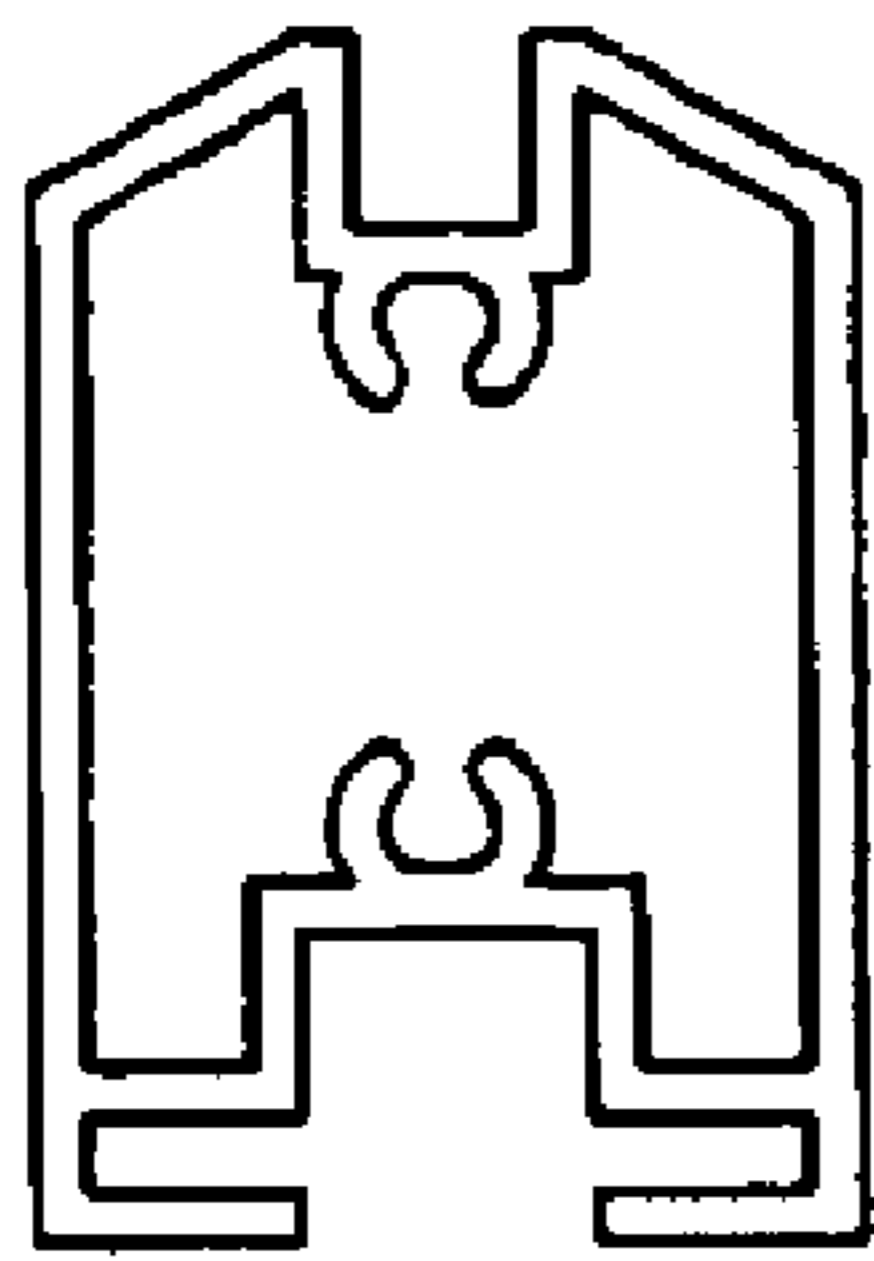
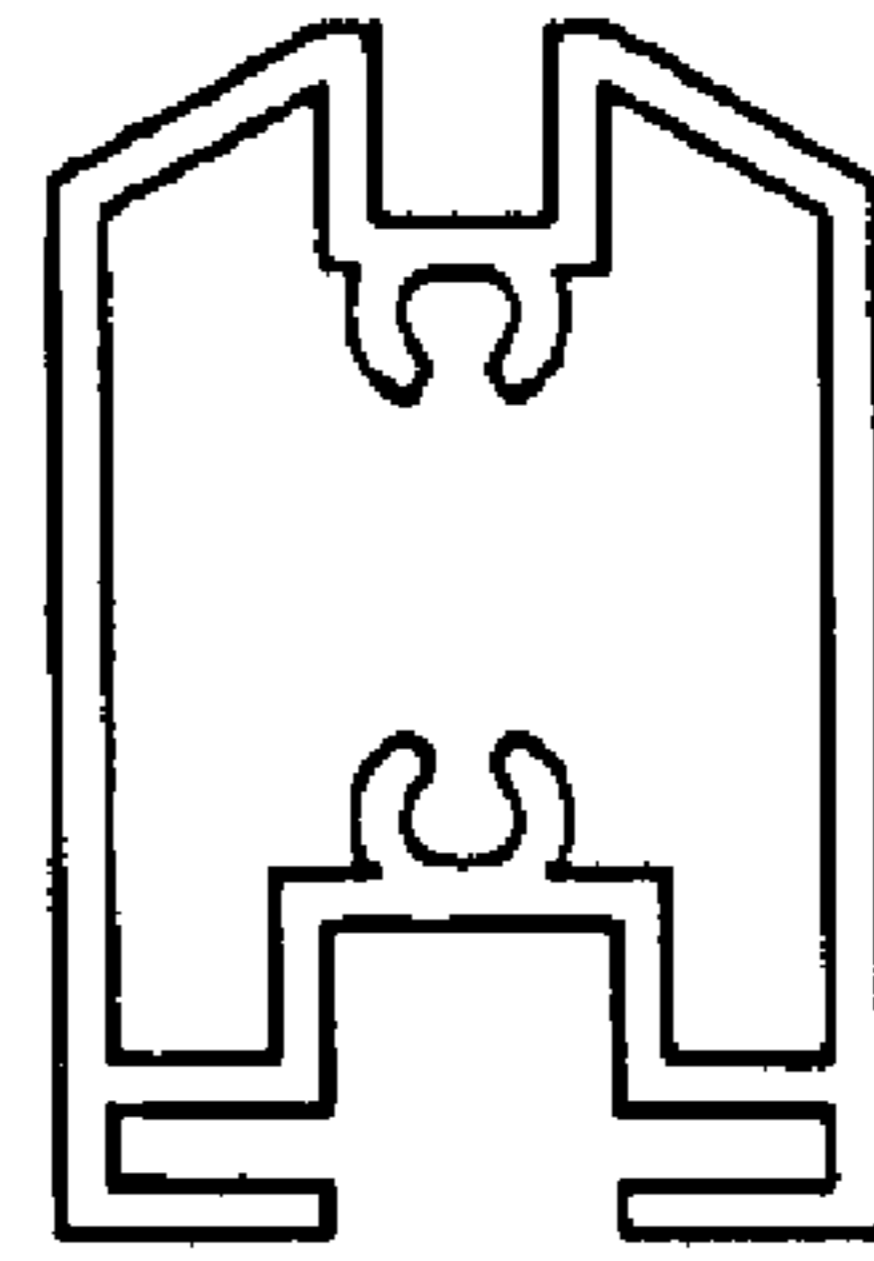


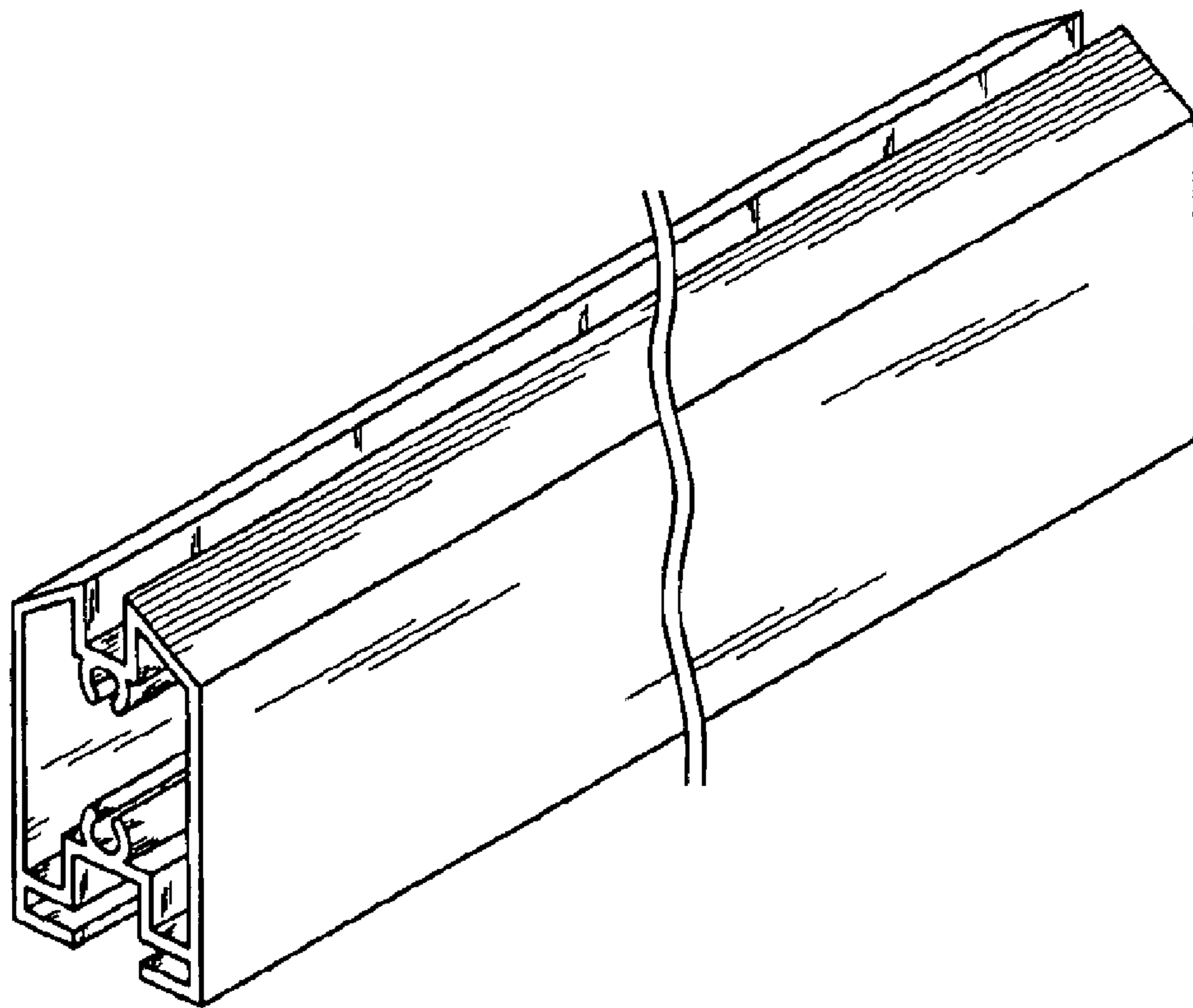
FIG. 3



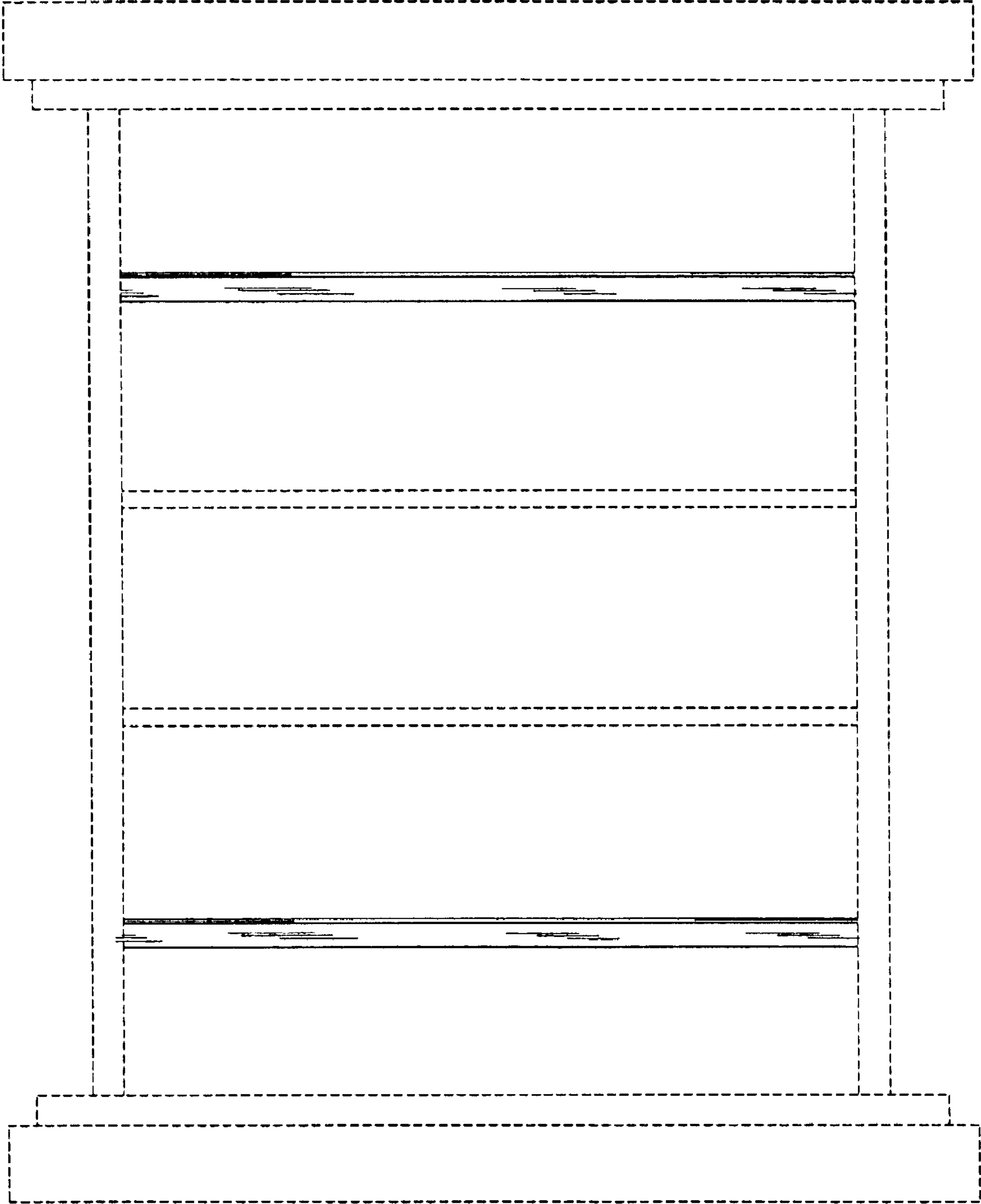
**FIG. 4**



**FIG. 5**



**FIG. 6**



**FIG. 7**