

US00D501561S

(12) **United States Design Patent** (10) Patent No.: **US D501,561 S**
Smith (45) Date of Patent: **** Feb. 1, 2005**

(54) **FLASK HOLDER**

(75) Inventor: **Richard Smith, Ipswich (GB)**

(73) Assignee: **Genevac Limited, Ipswich (GB)**

(**) Term: **14 Years**

(21) Appl. No.: **29/206,185**

(22) Filed: **May 27, 2004**

Related U.S. Application Data

(62) Division of application No. 29/181,800, filed on May 15, 2003.

(30) **Foreign Application Priority Data**

| | | |
|---------------|------|---------|
| Nov. 16, 2002 | (GB) | 3008735 |
| Nov. 16, 2002 | (GB) | 3008736 |
| Nov. 16, 2002 | (GB) | 3008737 |
| Nov. 16, 2002 | (GB) | 3008738 |
| Nov. 16, 2002 | (GB) | 3008739 |
| Nov. 16, 2002 | (GB) | 3008740 |

(51) **LOC (7) Cl.** **24-01**

(52) **U.S. Cl.** **D24/227; D24/216; D24/229; D24/230**

(58) **Field of Search** **D24/216, 227, D24/229, 230, 224; 422/99, 104, 102, 81, 65, 64; 211/74; 248/154, 311.2, 316.1, 317, 346.1, 312.1, 312; 435/288.1, 288.3, 287.3; 206/564, 562, 563, 446, 376**

(56) **References Cited**

U.S. PATENT DOCUMENTS

| | | | | | |
|------------|---|--------|-----------|-------|---------|
| D205,033 S | * | 6/1966 | Barrantes | | D24/229 |
| D290,401 S | * | 6/1987 | Bjorkman | | D24/227 |
| D307,869 S | * | 5/1990 | Miskinis | | D24/227 |

* cited by examiner

Primary Examiner—Ian Simmons

(74) *Attorney, Agent, or Firm*—Barnes & Thornburg LLP

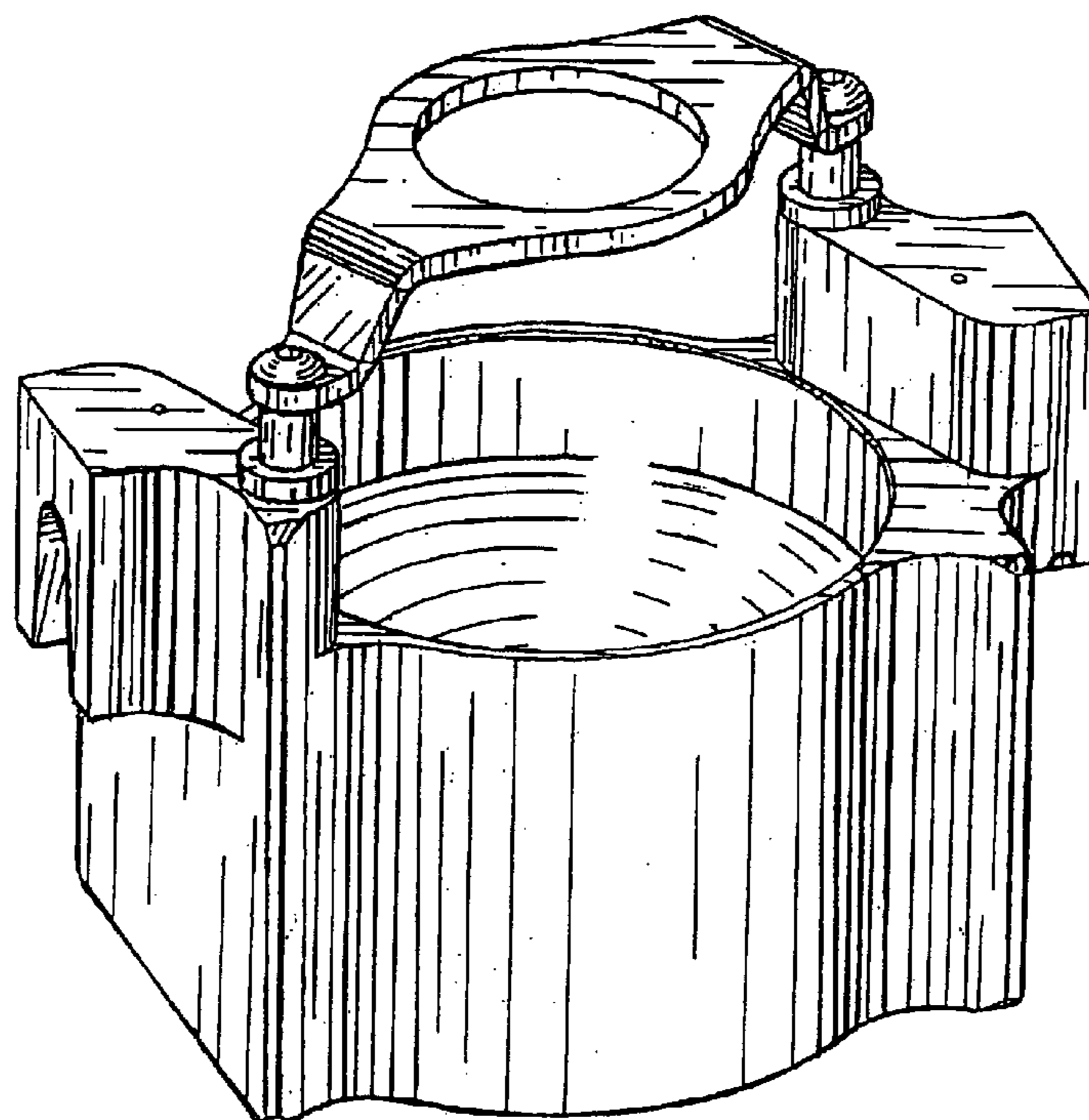
(57) **CLAIM**

The ornamental design for a flask holder, as shown and described.

DESCRIPTION

FIG. 1 is a perspective view from the front and above of a flask holder according to my invention, with the lid lowered; FIG. 2 is a perspective view thereof, with the lid raised; FIG. 3 is a perspective view from the side and rear thereof, with the lid lowered; FIG. 4 is a top plan view thereof; FIG. 5 is a bottom plan view thereof; FIG. 6 is a front elevational view thereof, with the lid lowered; FIG. 7 is a front elevational view thereof, with the lid raised; FIG. 8 is a side elevational view thereof, with the lid lowered, and with the opposite side corresponding; and, FIG. 9 is a side elevational view thereof, with the lid raised, and with the opposite side corresponding.

1 Claim, 9 Drawing Sheets



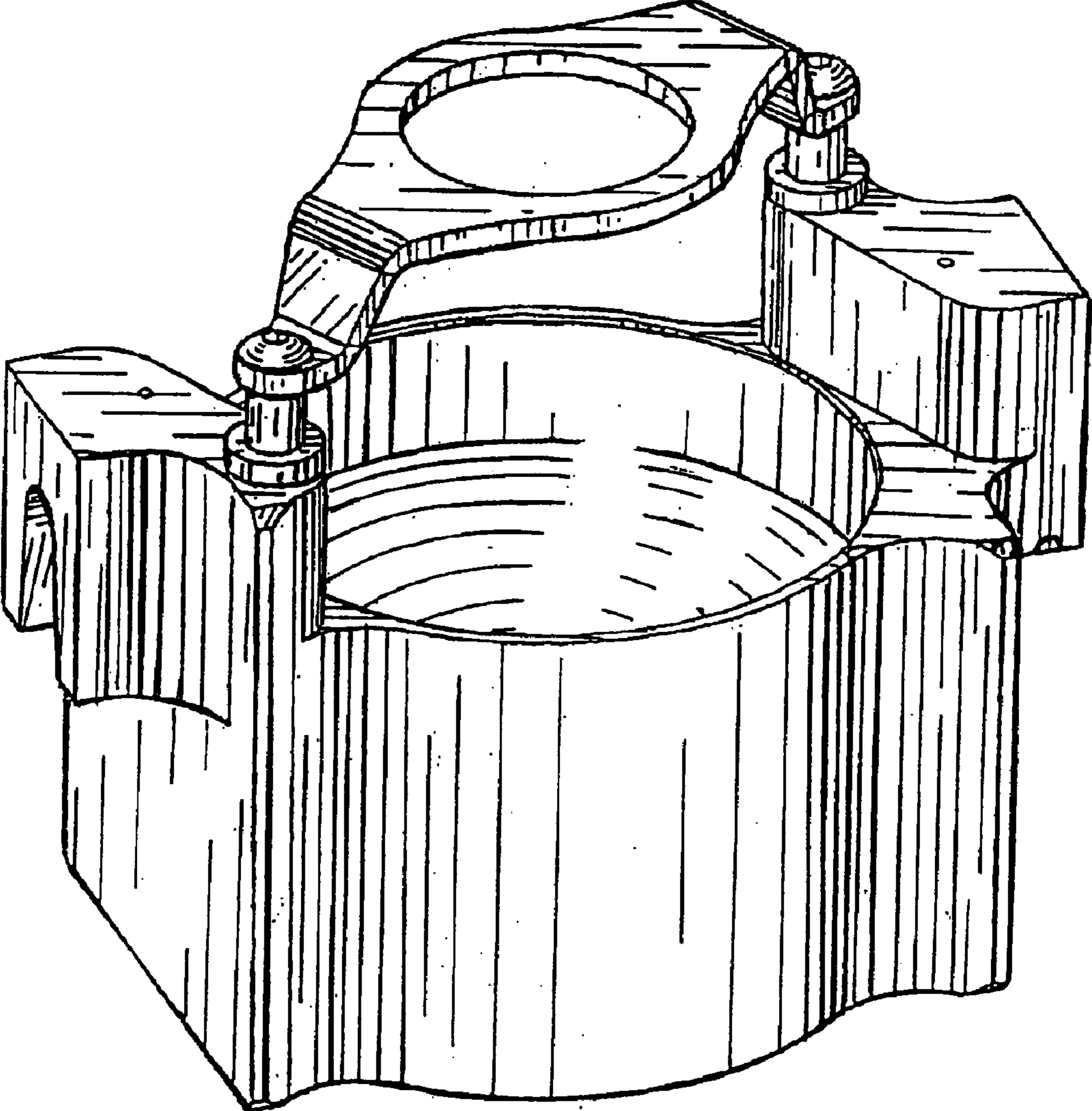


Fig. 1

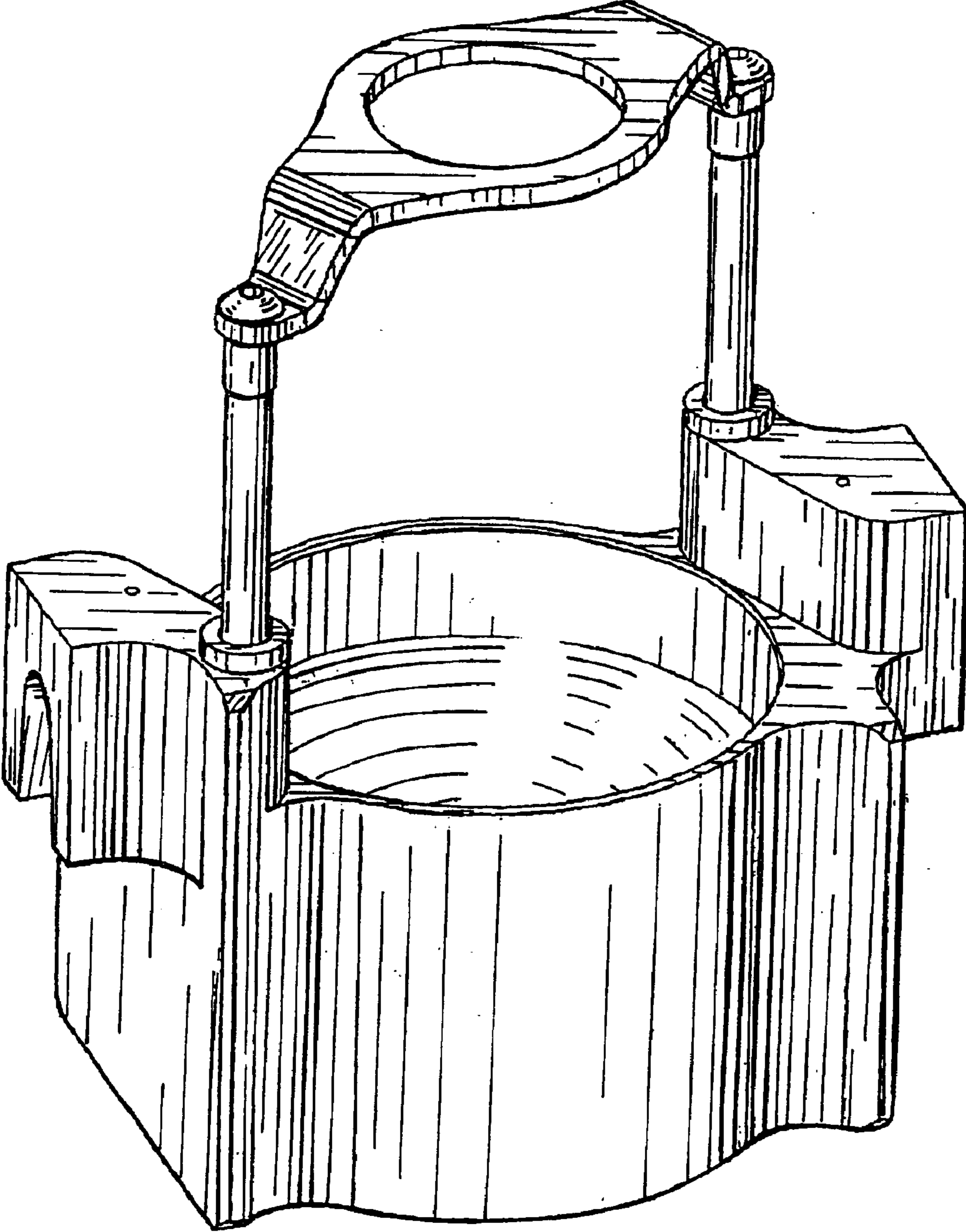


Fig. 2

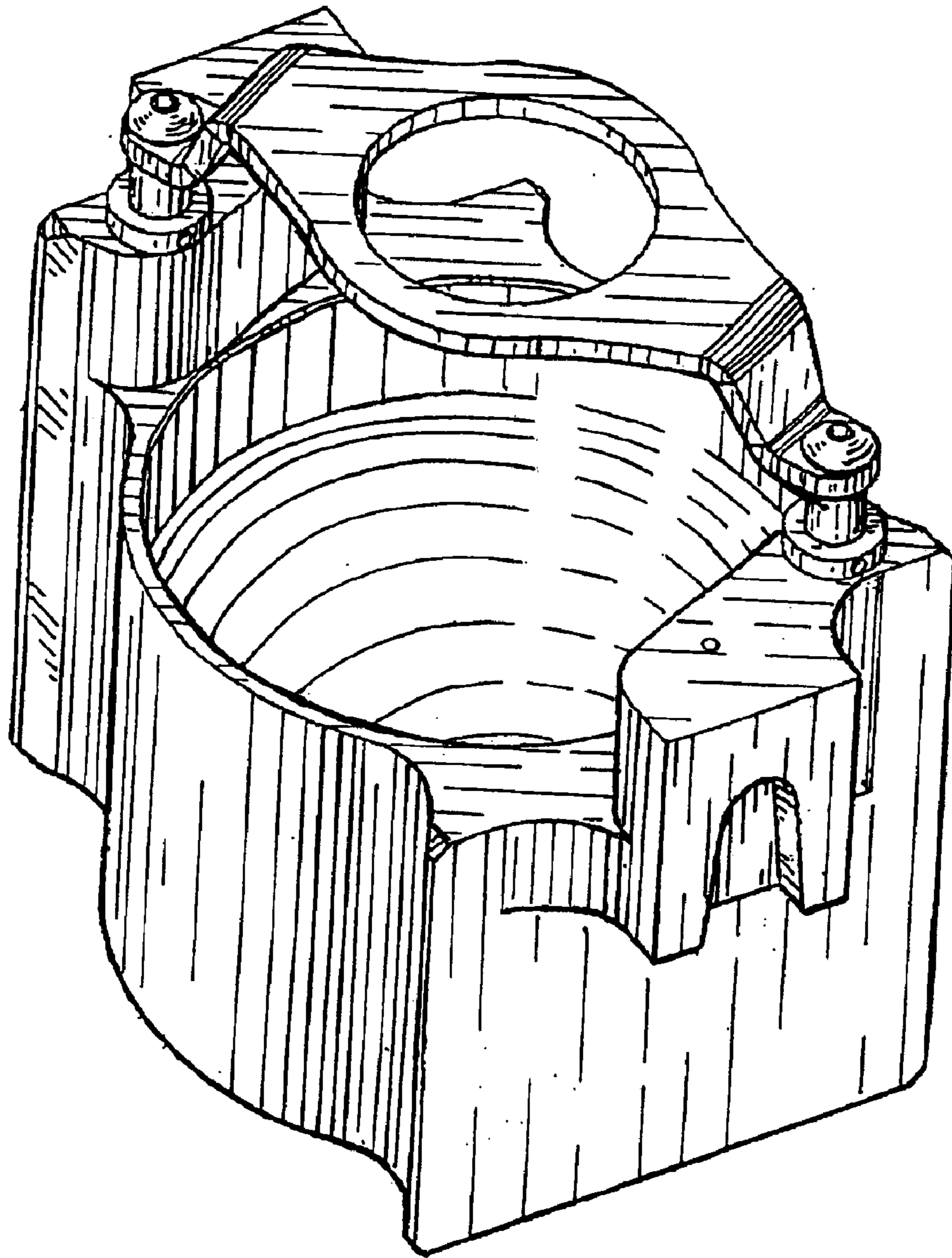


Fig. 3

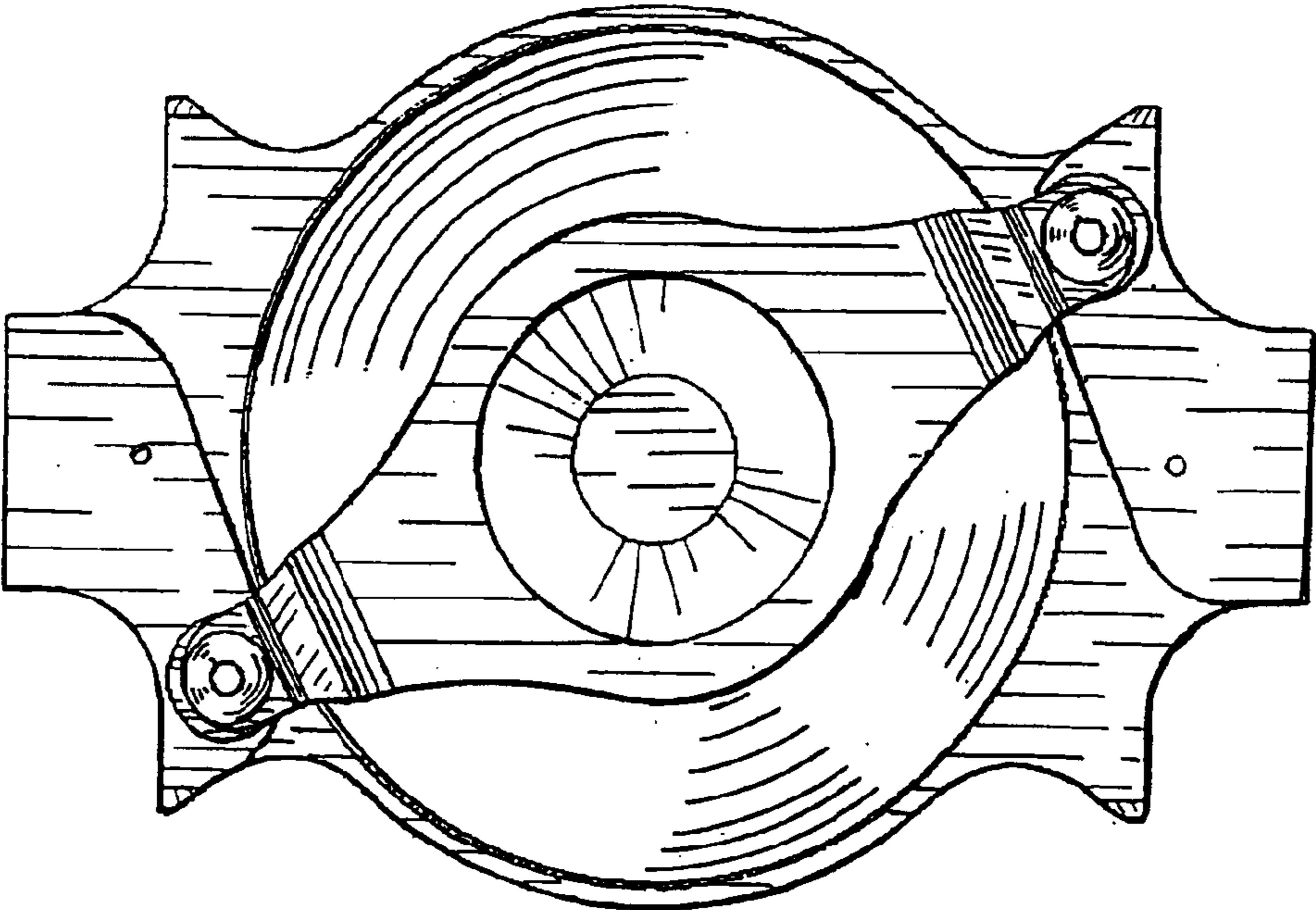


Fig. 4

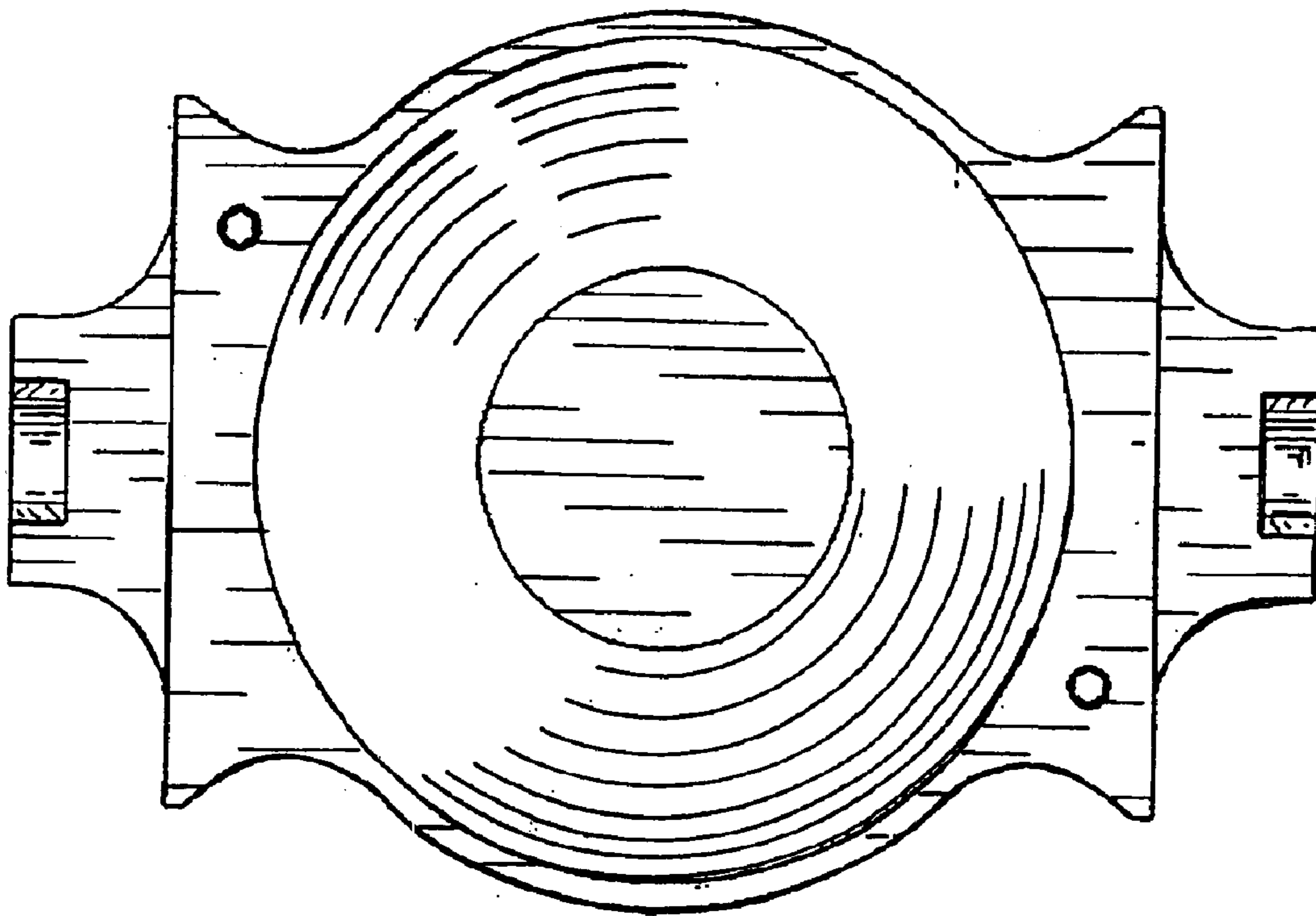


Fig. 5

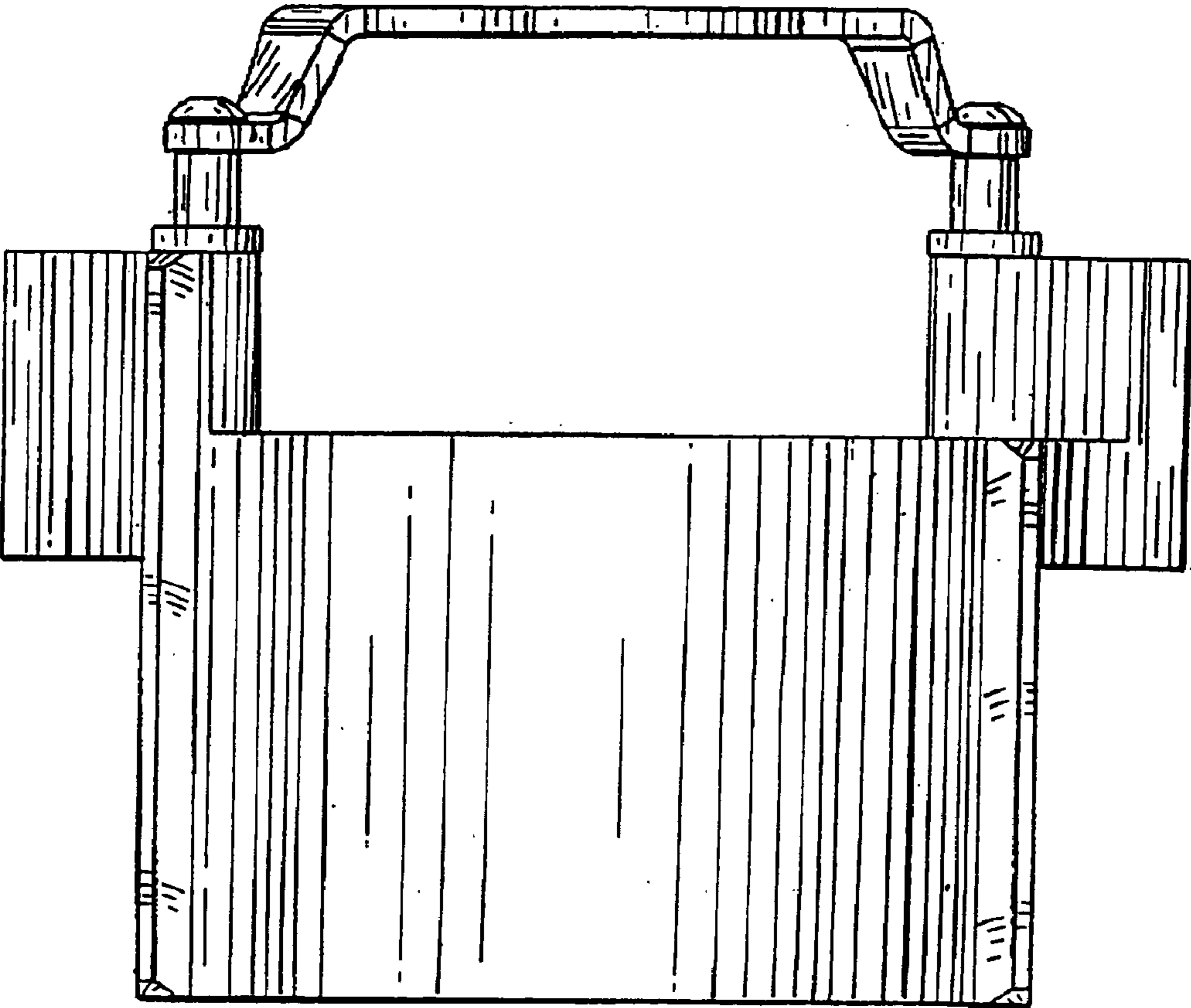


Fig. 6

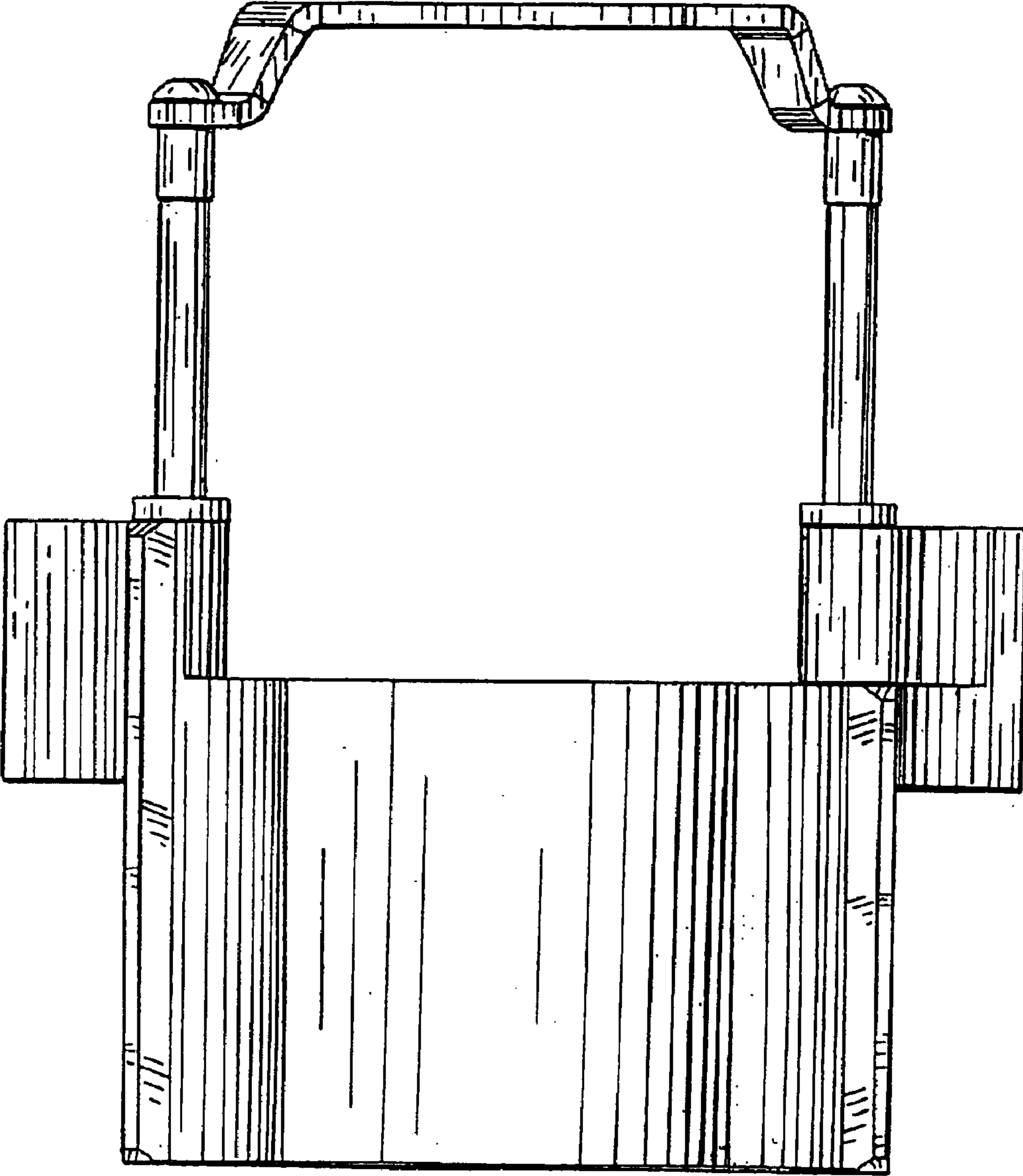


Fig. 7

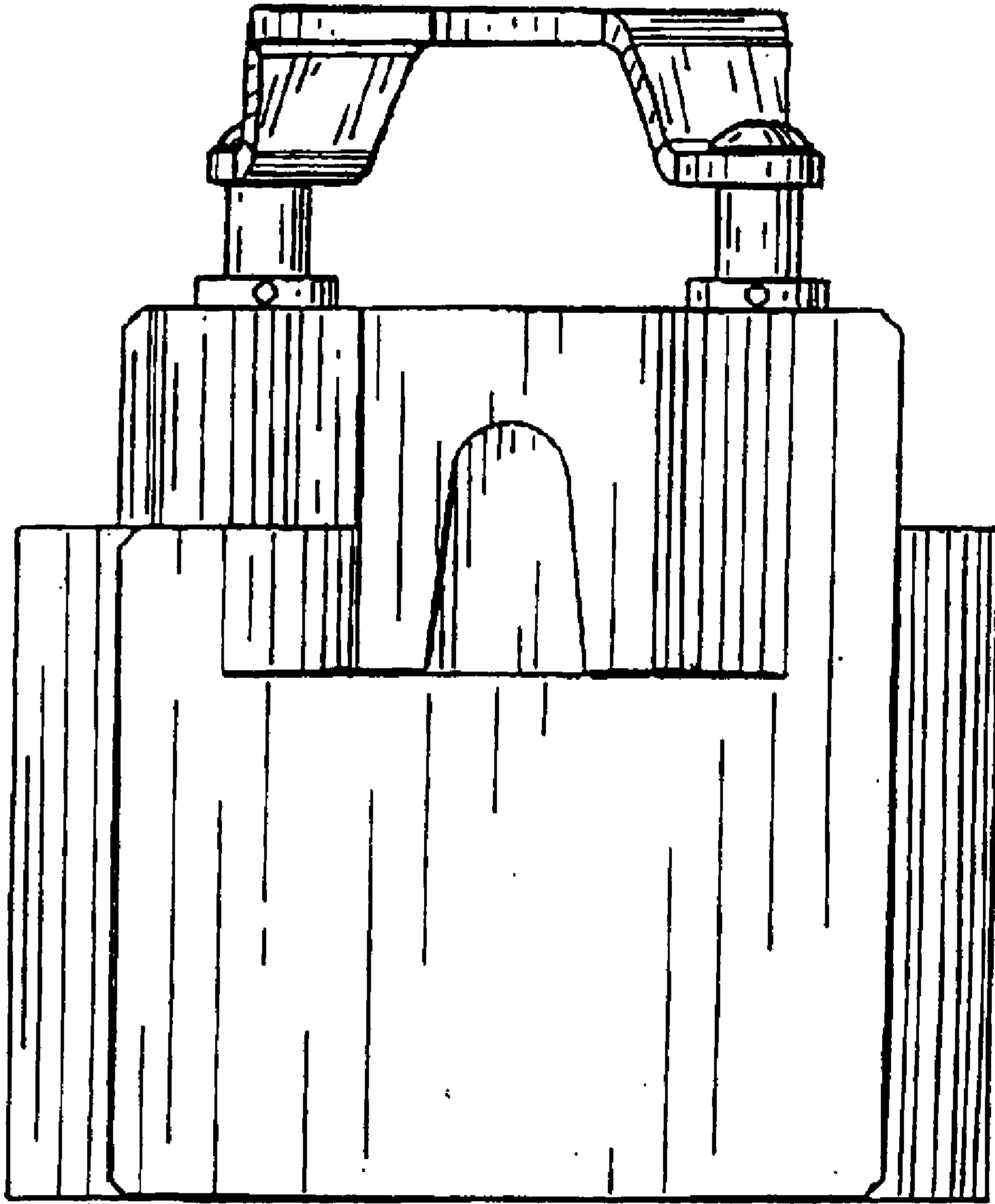


Fig. 8

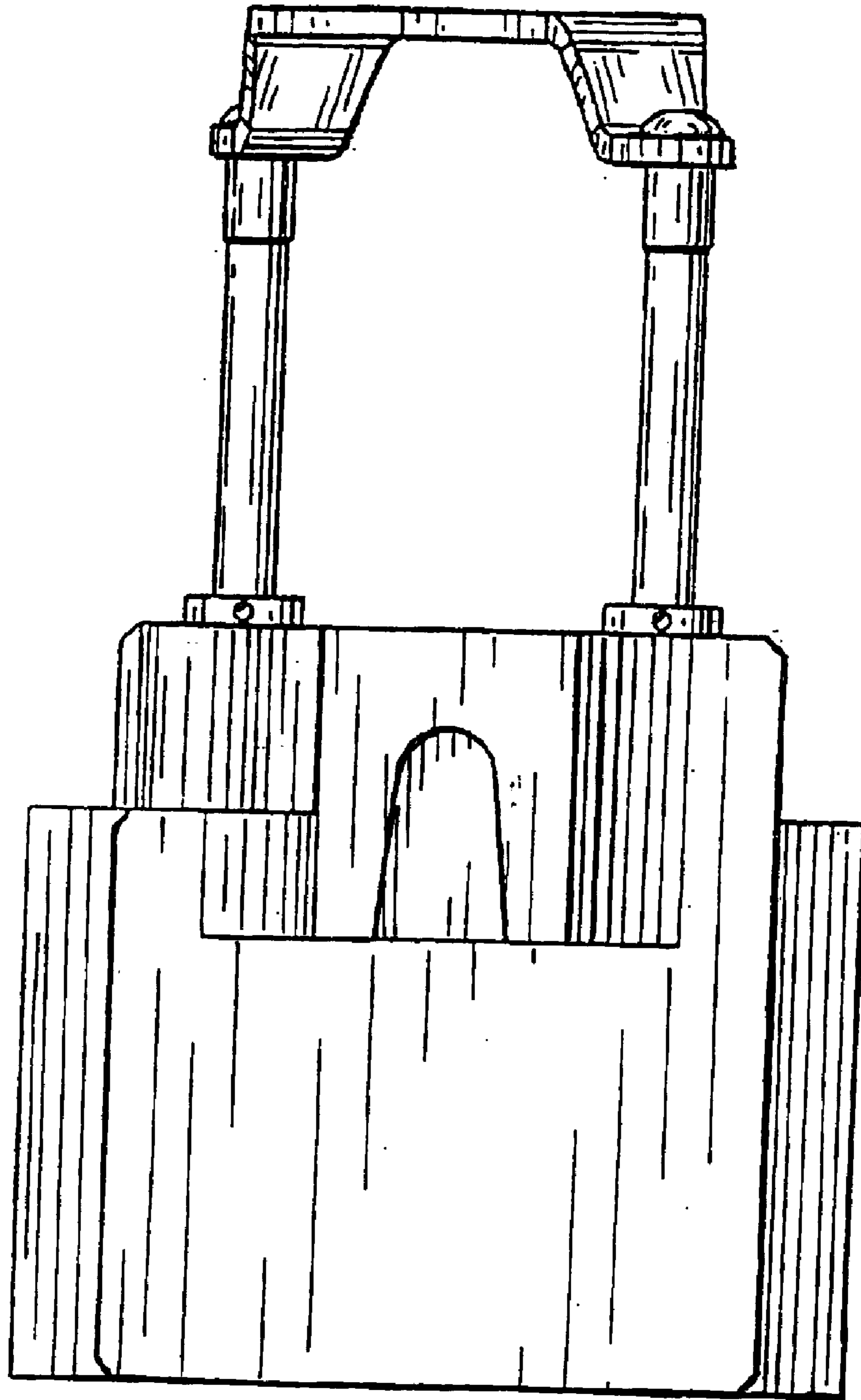


Fig. 9