

US00D501554S

(12) **United States Design Patent**
Hansen

(10) **Patent No.:** **US D501,554 S**

(45) **Date of Patent:** **** Feb. 1, 2005**

(54) **HEAD BAND FOR SUPPORTING A NASAL CANNULA**

D479,327 S * 9/2003 Hansen D24/128
6,684,883 B1 * 2/2004 Burns 128/DIG. 26
2002/0165495 A1 * 11/2002 Bird et al. 604/179

(76) Inventor: **Conrad J. Hansen**, 850 Colorado Blvd., Suite 203, Los Angeles, CA (US) 90041

* cited by examiner

Primary Examiner—Ian Simmons

(74) *Attorney, Agent, or Firm*—James E. Brunton, Esq.

(**) Term: **14 Years**

(57) **CLAIM**

(21) Appl. No.: **29/187,453**

The ornamental design for “a head band for supporting a nasal cannula,” as shown and described.

(22) Filed: **Jul. 31, 2003**

(51) **LOC (7) Cl.** **24-02**

(52) **U.S. Cl.** **D24/128**

(58) **Field of Search** D24/128, 164;
128/DIG. 26, DIG. 6, 207.18, 207.17, 207.14,
200.26, 207.2; 604/179, 174; 2/DIG. 11,
209.4, 181; 24/16 PB, 442, 450, 45; D2/894,
625

DESCRIPTION

FIG. 1 is a perspective view of a head band for supporting a nasal cannula showing my new design, the broken line showing of the head is for illustrative purposes only and forms no part of the claimed design;
FIG. 2 is a side view thereof;
FIG. 3 is a front view thereof;
FIG. 4 is a top plan view thereof;
FIG. 5 is a rear view thereof; and,
FIG. 6 is a bottom plan view thereof.

(56) **References Cited**

U.S. PATENT DOCUMENTS

5,496,282 A * 3/1996 Militzer et al. 604/179
D468,013 S * 12/2002 Mason D24/128

1 Claim, 3 Drawing Sheets

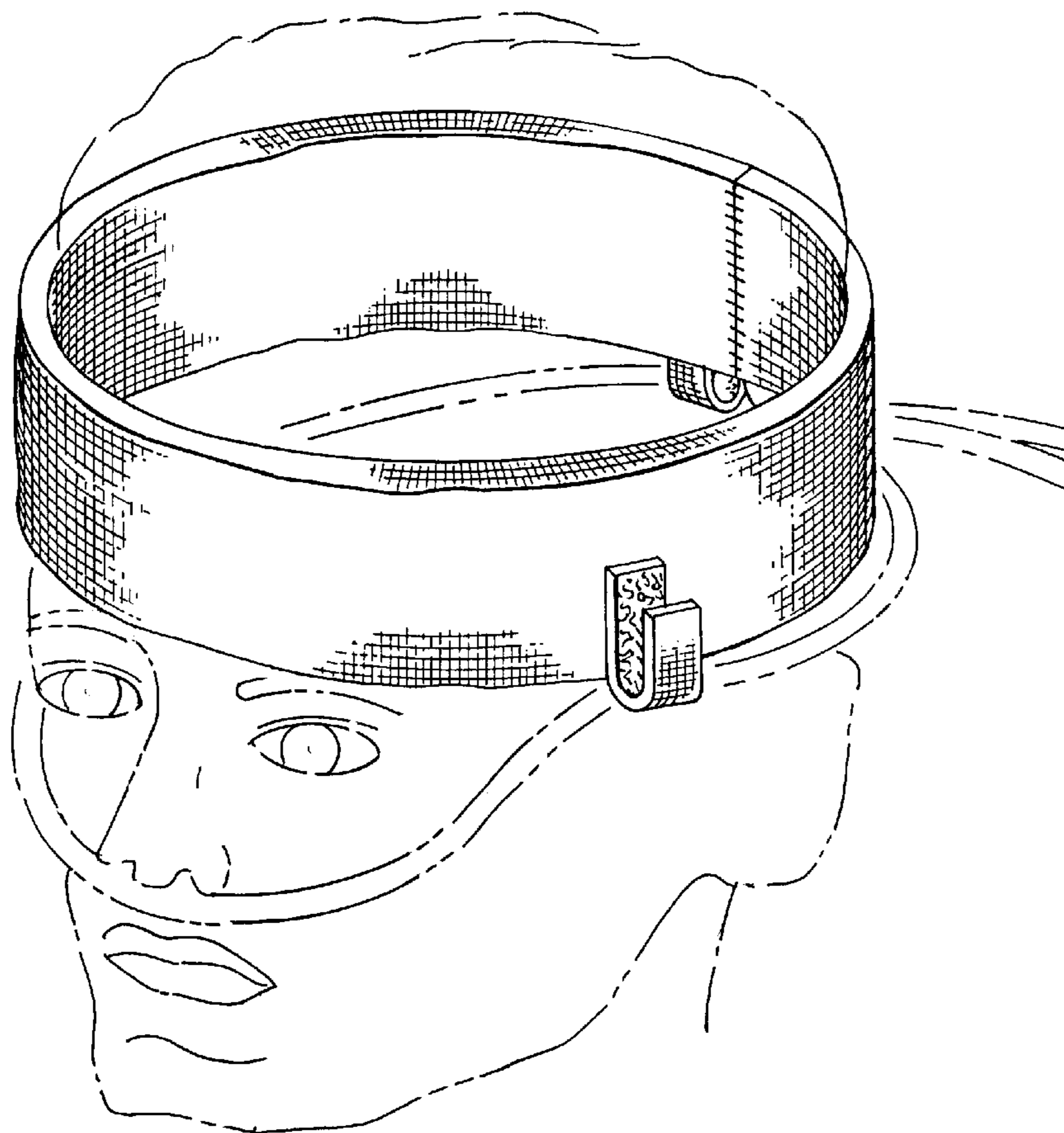


FIG. 1

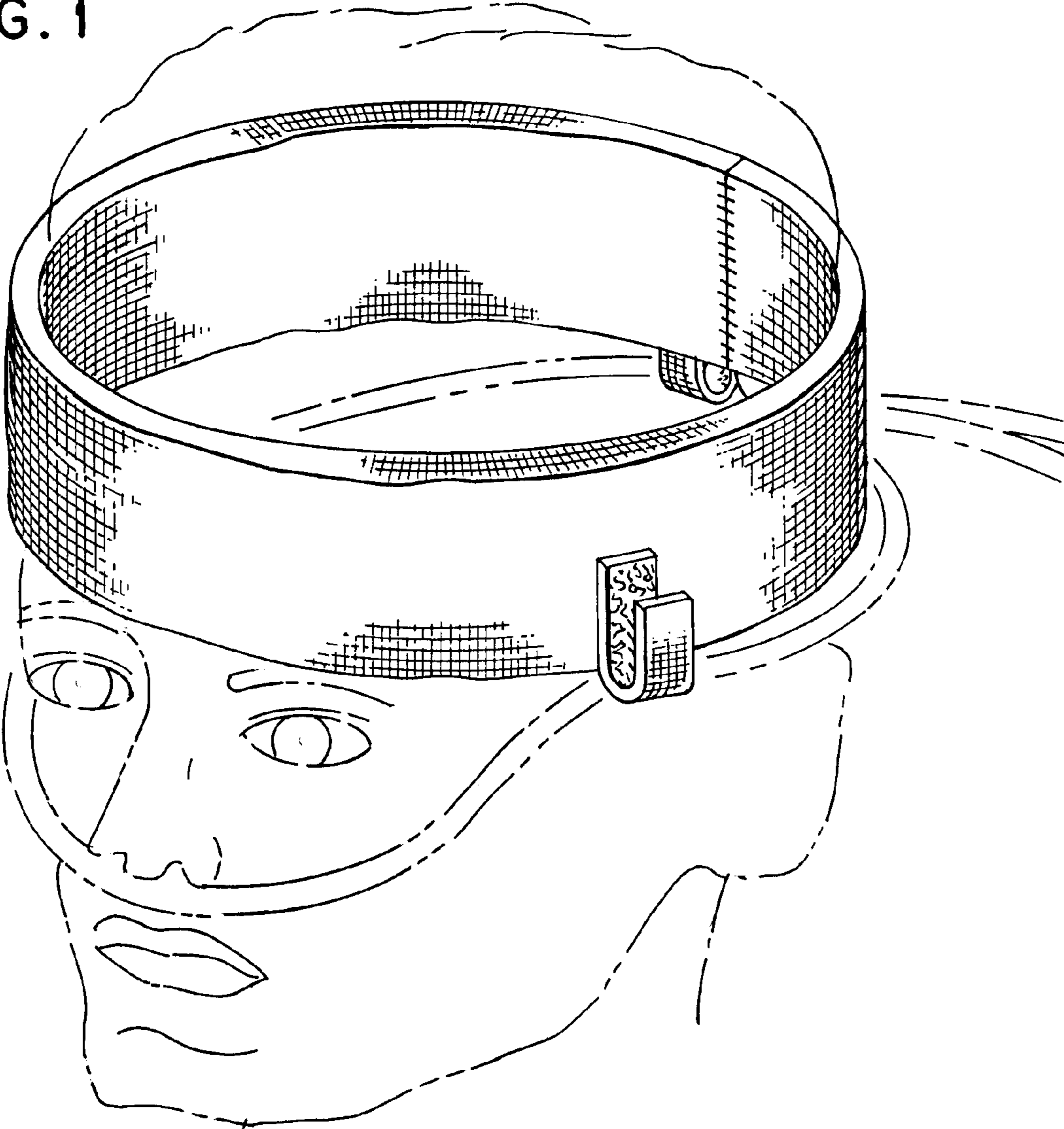


FIG. 2

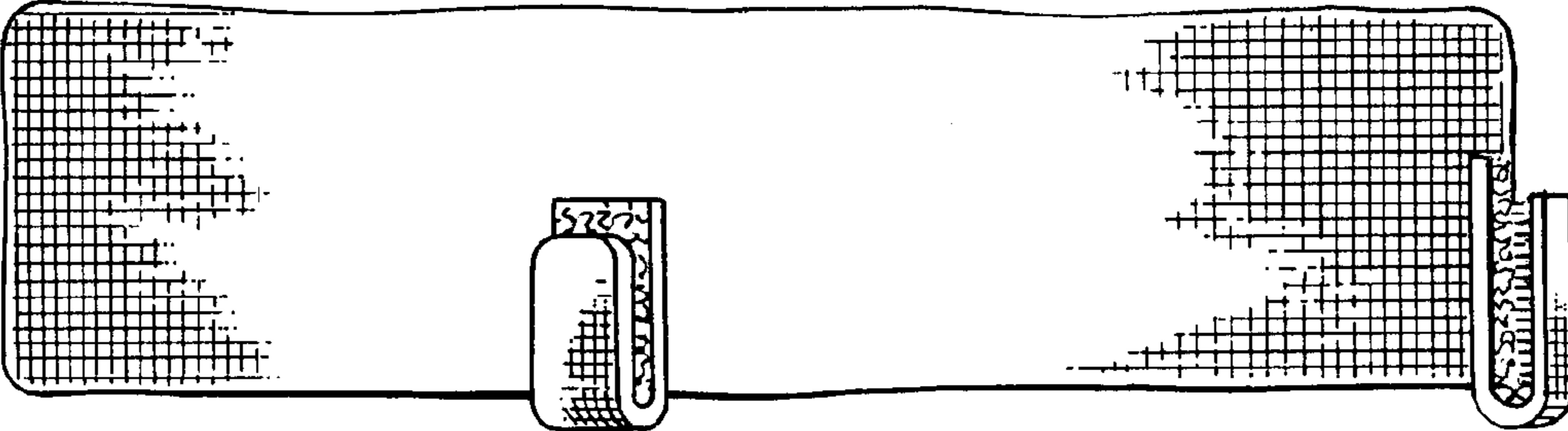


FIG. 3

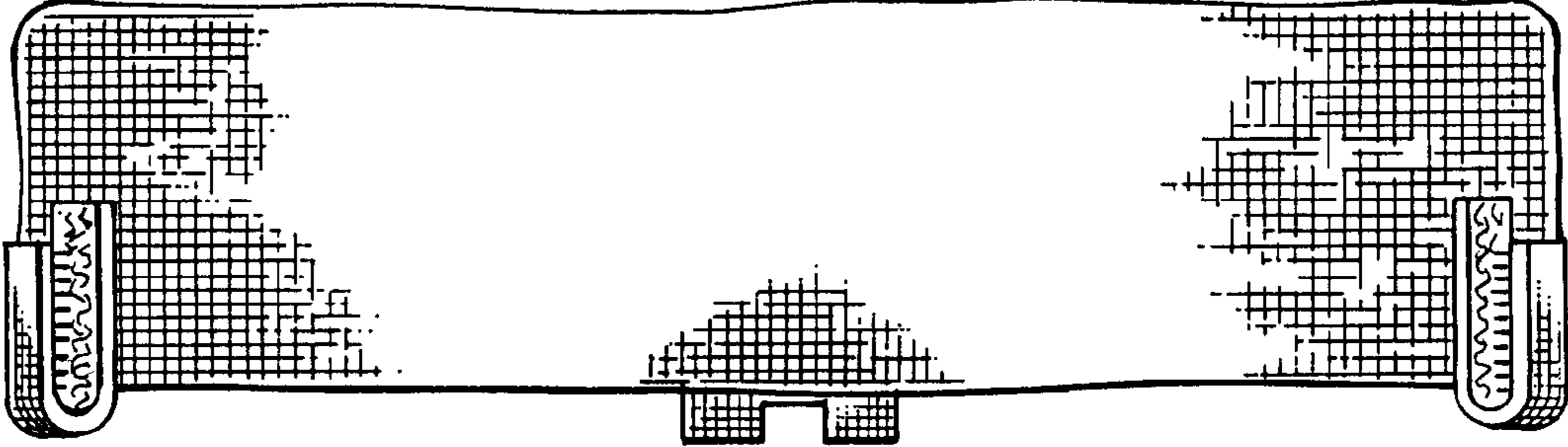


FIG. 4

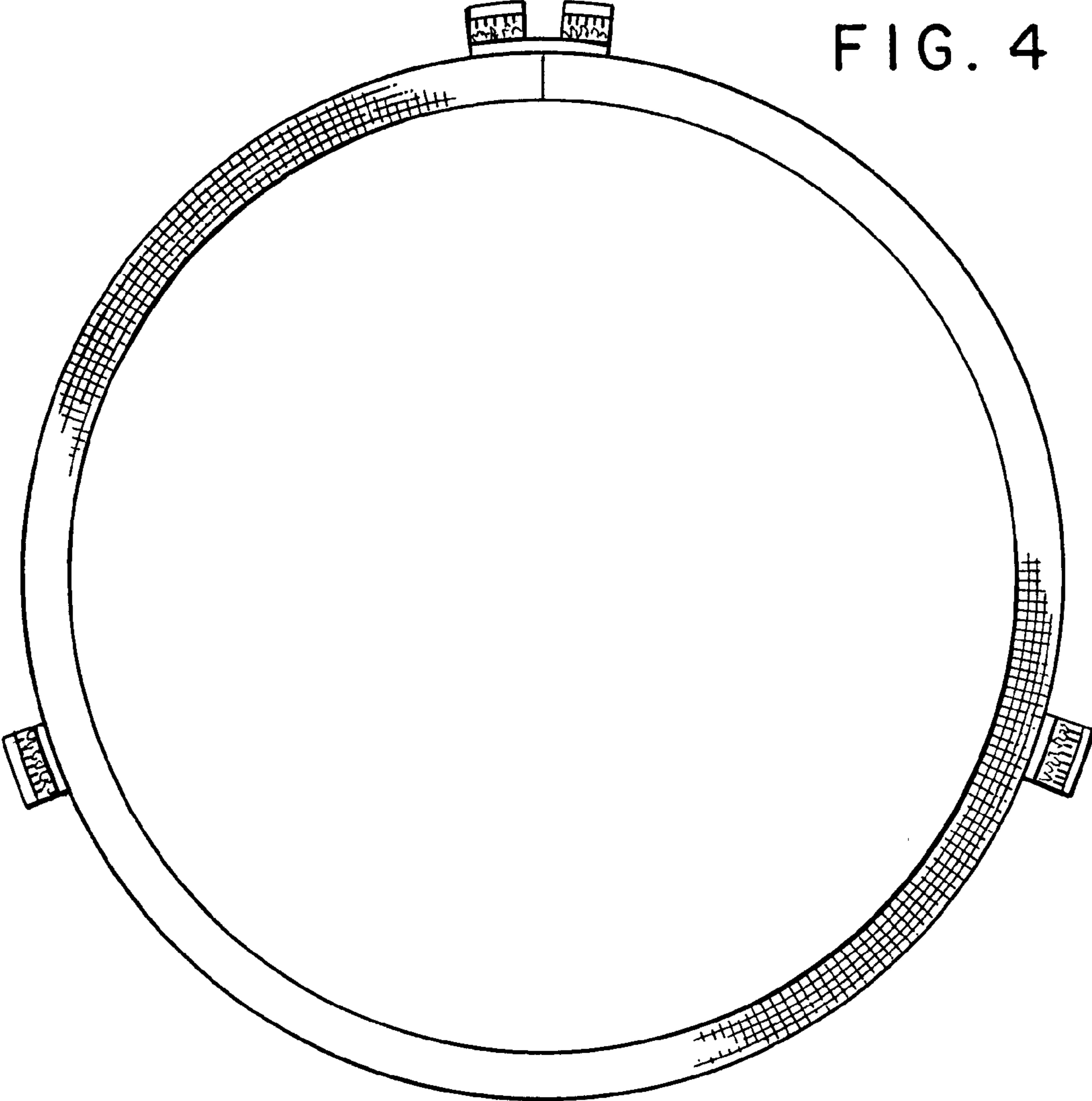


FIG. 5

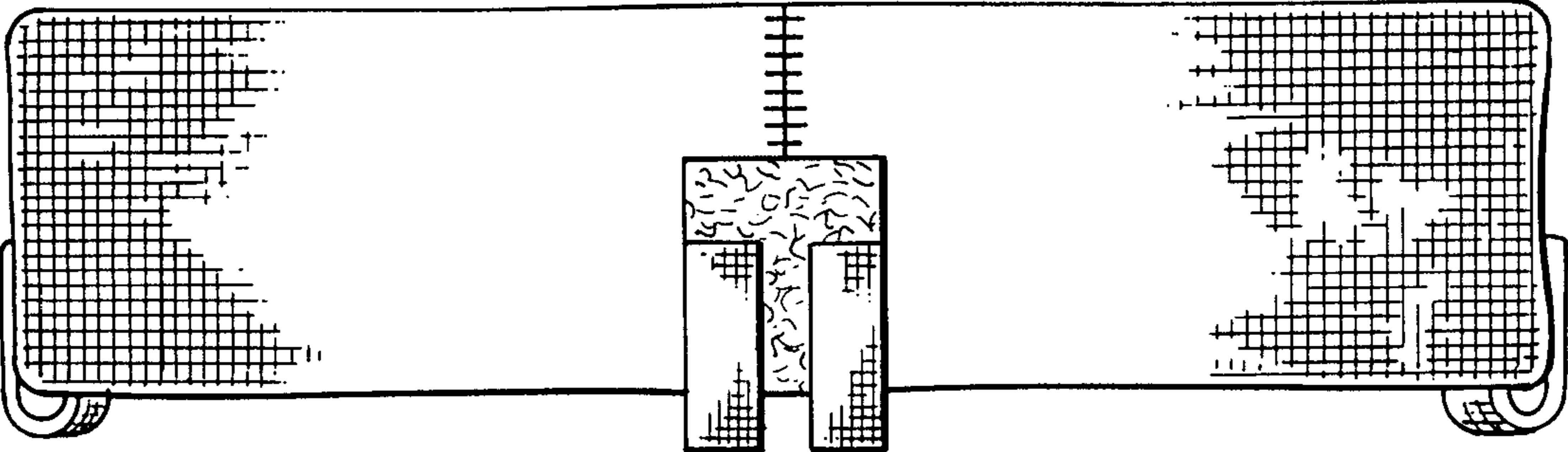


FIG. 6

