

US00D501551S

(12) **United States Design Patent**
Rand

(10) **Patent No.:** **US D501,551 S**
(45) **Date of Patent:** **** Feb. 1, 2005**

(54) **INSERT FOR MEDICAMENT DISPENSER**

(75) **Inventor:** **Paul Kenneth Rand, Ware (GB)**

(73) **Assignee:** **Glaxo Group Limited, Greenford (GB)**

(**) **Term:** **14 Years**

(21) **Appl. No.:** **29/181,178**

(22) **Filed:** **May 6, 2003**

(30) **Foreign Application Priority Data**

Nov. 7, 2002 (GB) 3008413

(51) **LOC (7) Cl.** **29-02**

(52) **U.S. Cl.** **D24/110**

(58) **Field of Search** D24/110; 128/203.15,
128/203.12, 200.14, 203.22, 200.12, 200.23,
200.21, 200.22, 207.18; 222/183, 182, 82,
402.22, 402.1, 402.13

(56) **References Cited**

U.S. PATENT DOCUMENTS

D276,847 S * 12/1984 Nyman et al. D24/110
4,969,578 A * 11/1990 Gander et al. 128/200.23
D349,572 S * 8/1994 Jagnandan et al. D24/110

D433,126 S * 10/2000 McCurry D24/110
6,273,084 B1 * 8/2001 Frid 128/200.23
D449,882 S * 10/2001 Christrup et al. D24/110
D473,298 S * 4/2003 Bowman et al. D24/110
2003/0150452 A1 * 8/2003 Staniforth et al. 128/203.12

* cited by examiner

Primary Examiner—Ian Simmons

(74) *Attorney, Agent, or Firm*—J. Michael Strickland

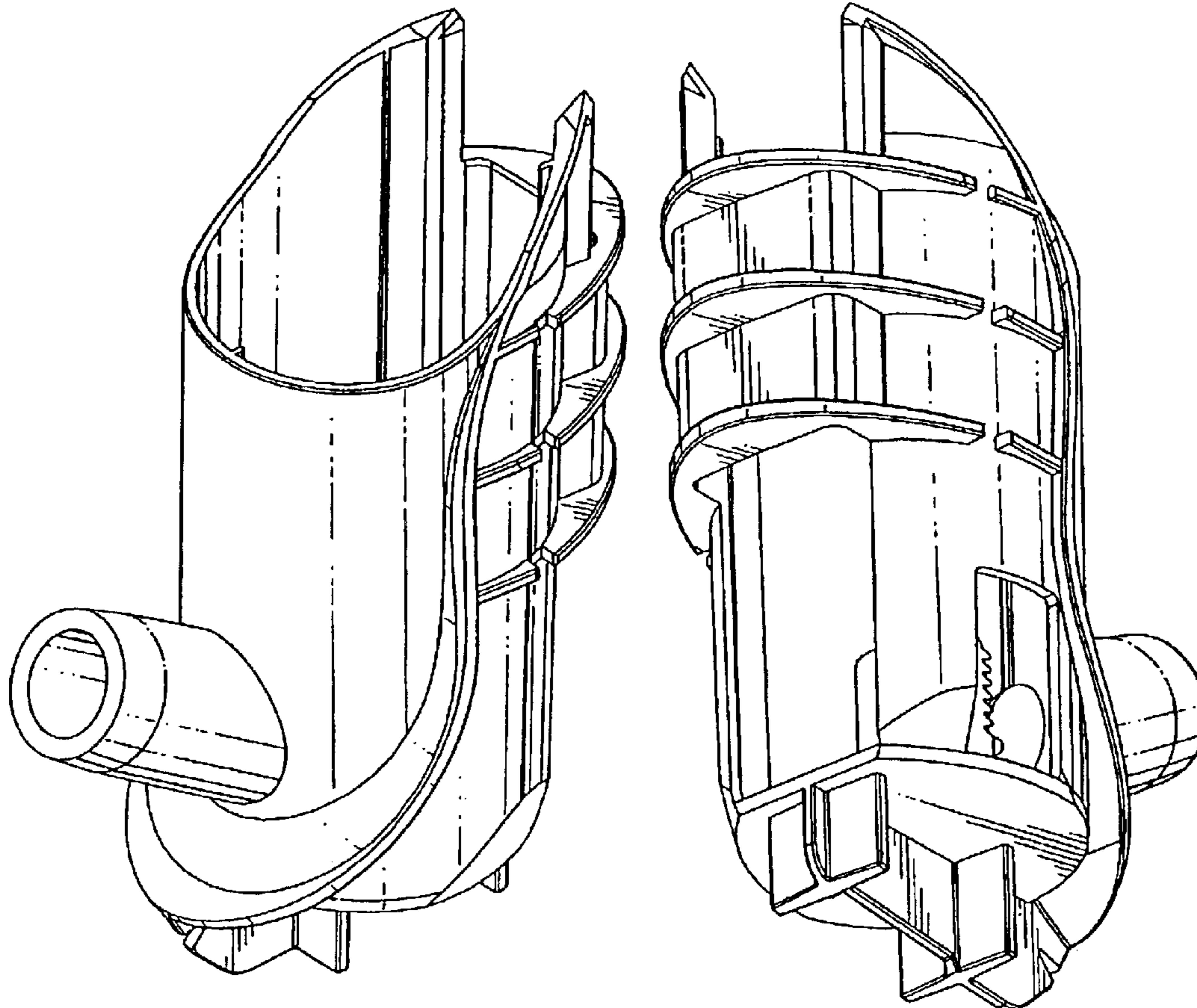
(57) **CLAIM**

The ornamental design for an insert for medicament dispenser, as shown and described.

DESCRIPTION

FIG. 1 is a front perspective view of an insert for medicament dispenser;
FIG. 2 is a rear perspective view thereof;
FIG. 3 is a front view thereof;
FIG. 4 is a rear view thereof;
FIG. 5 is a plan view thereof;
FIG. 6 is an underneath plan view thereof;
FIG. 7 is a side view thereof; and,
FIG. 8 is a side view thereof.

1 Claim, 3 Drawing Sheets



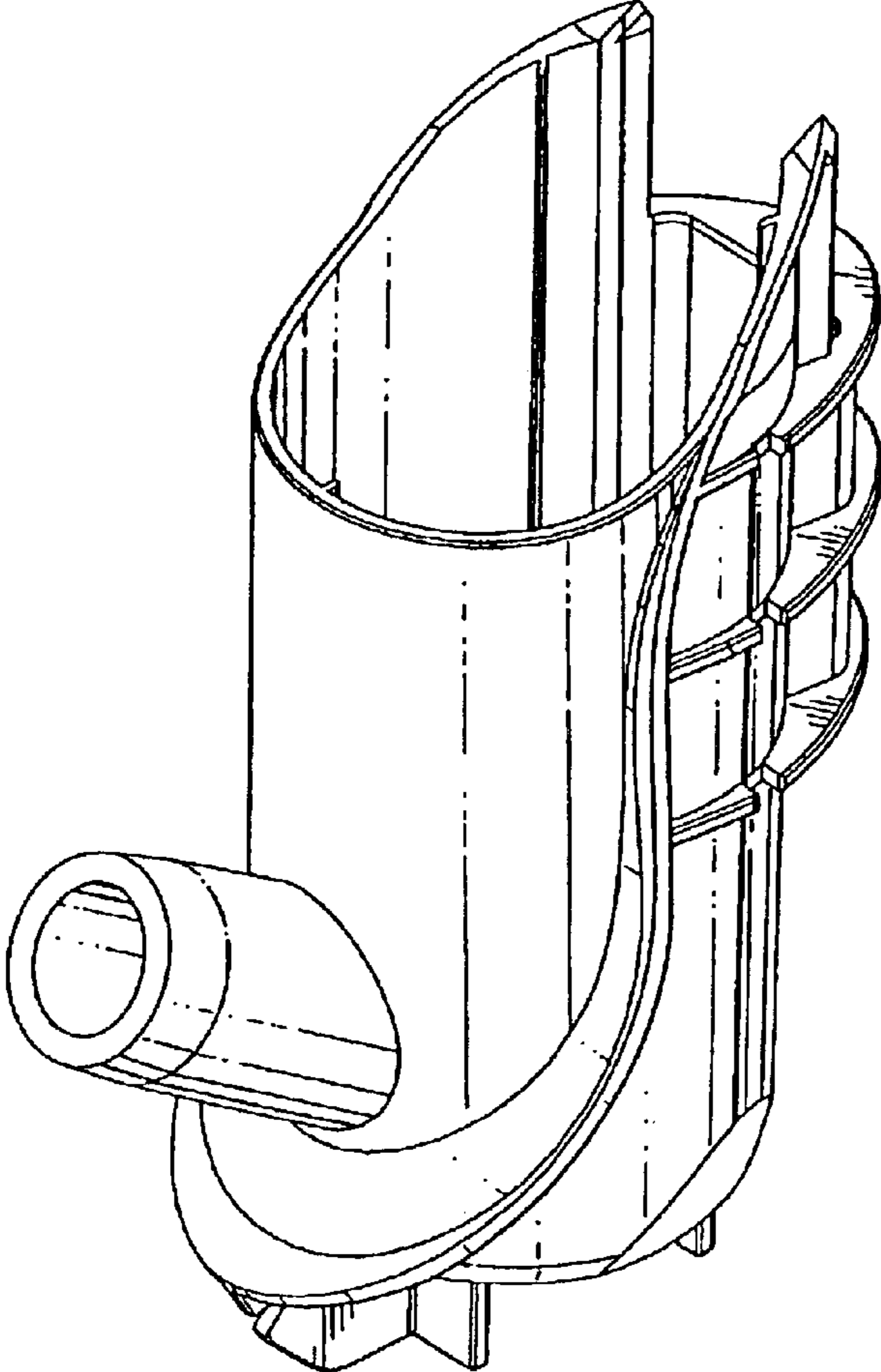


FIG. 1

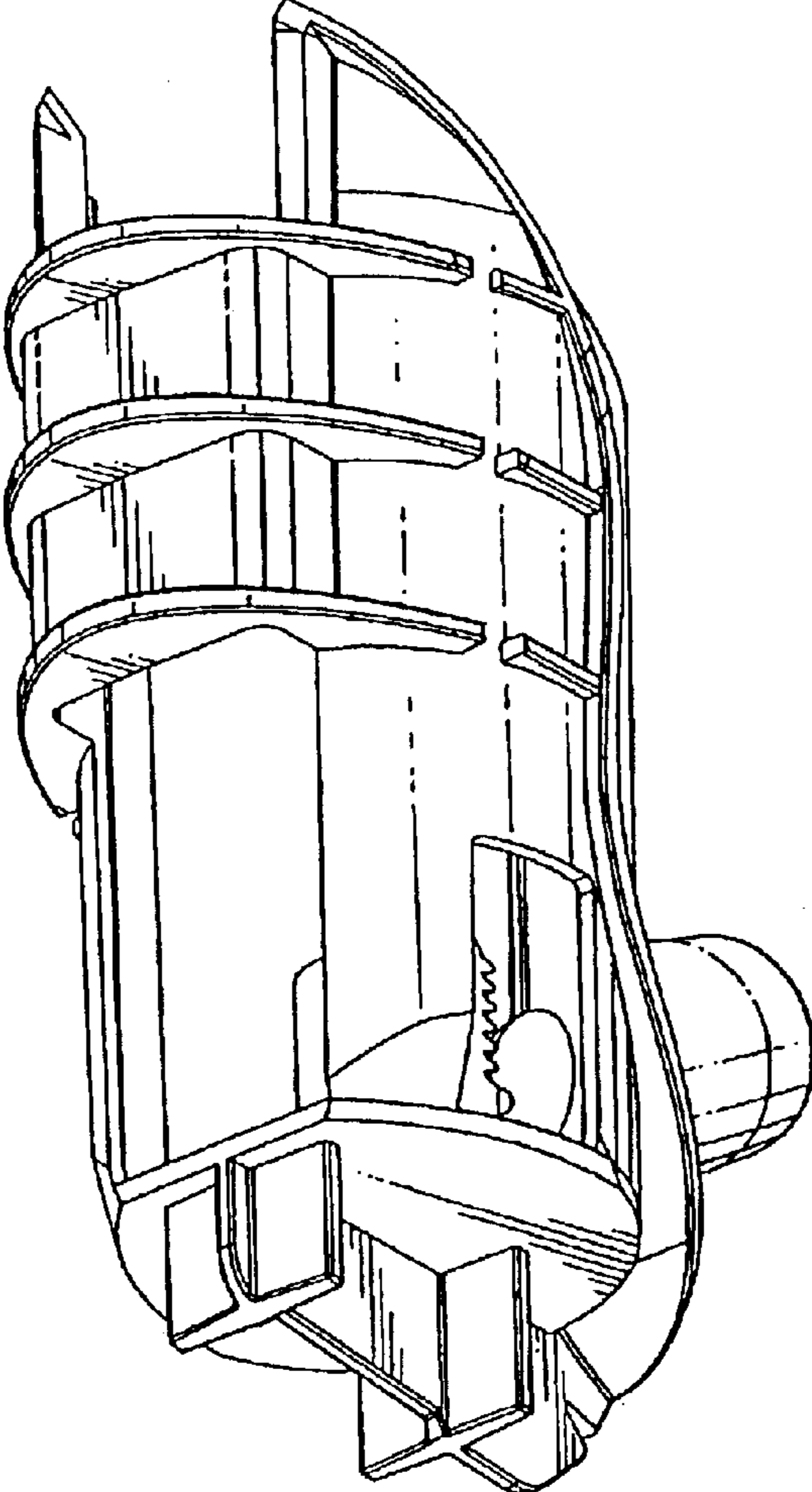


FIG. 2

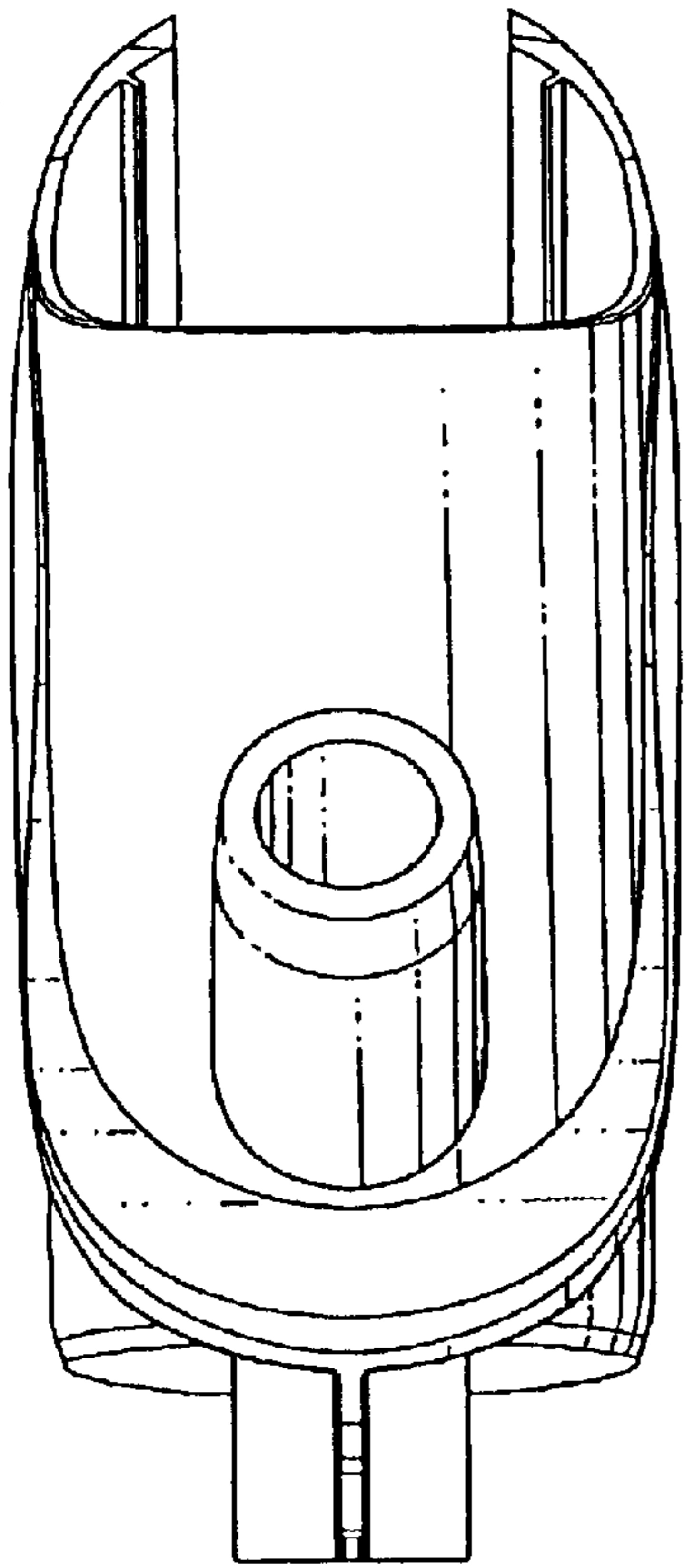


FIG. 3

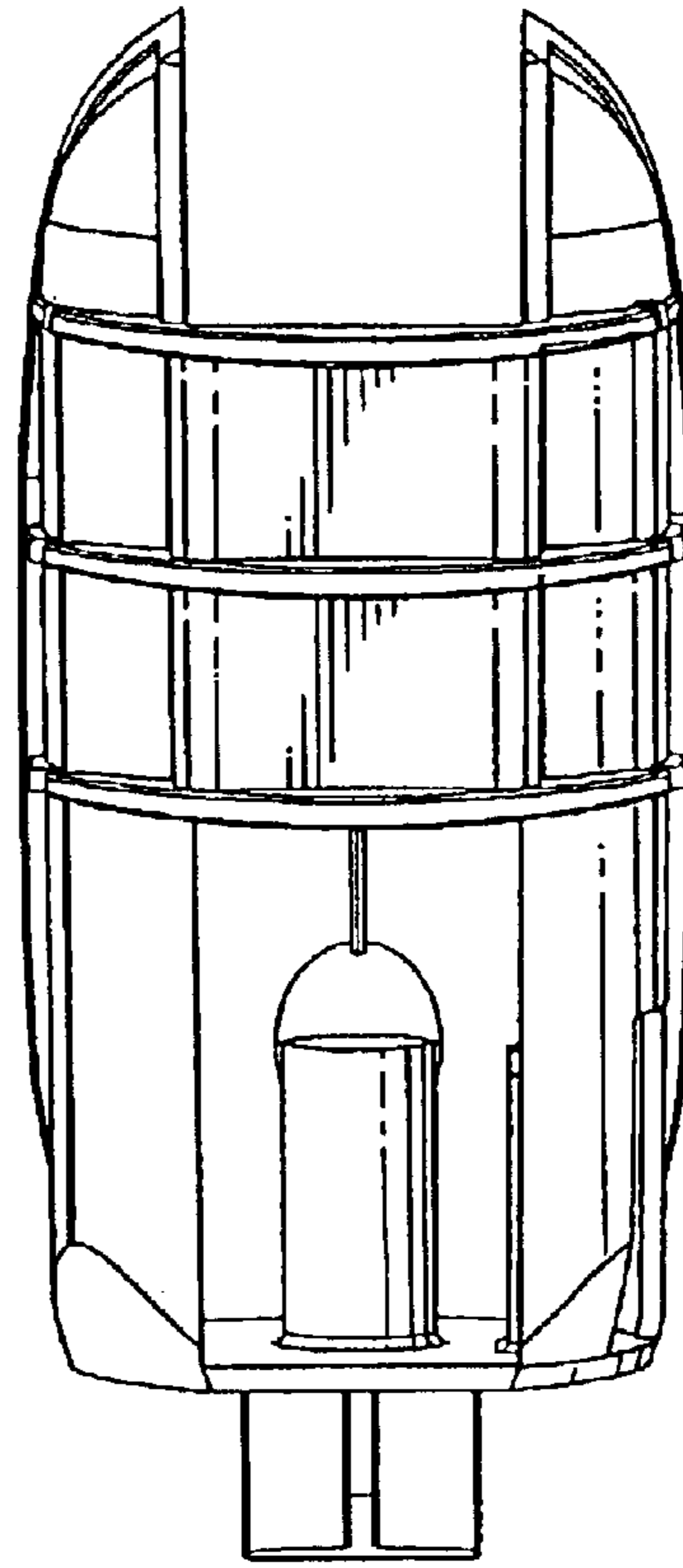


FIG. 4

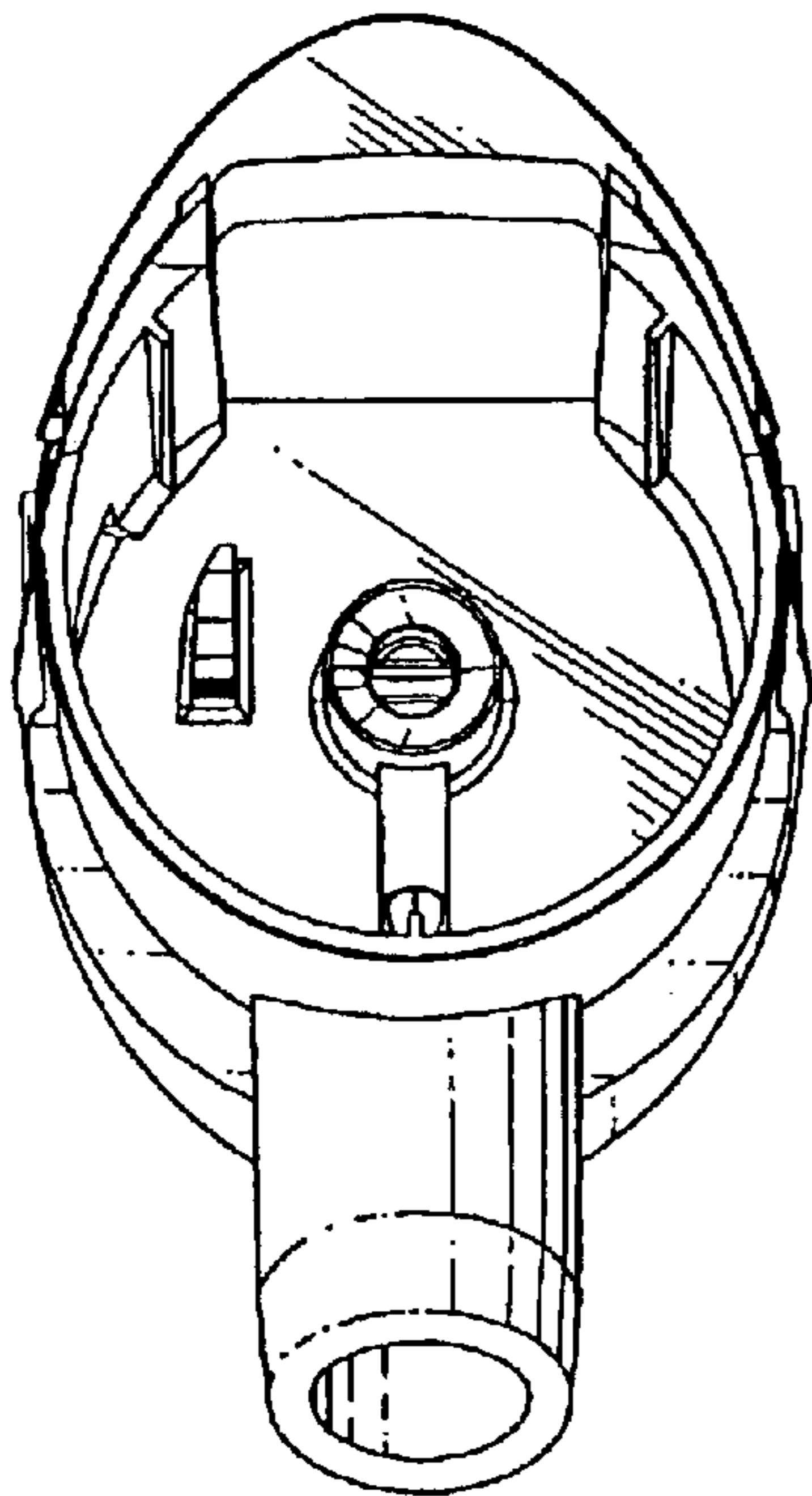


FIG. 5

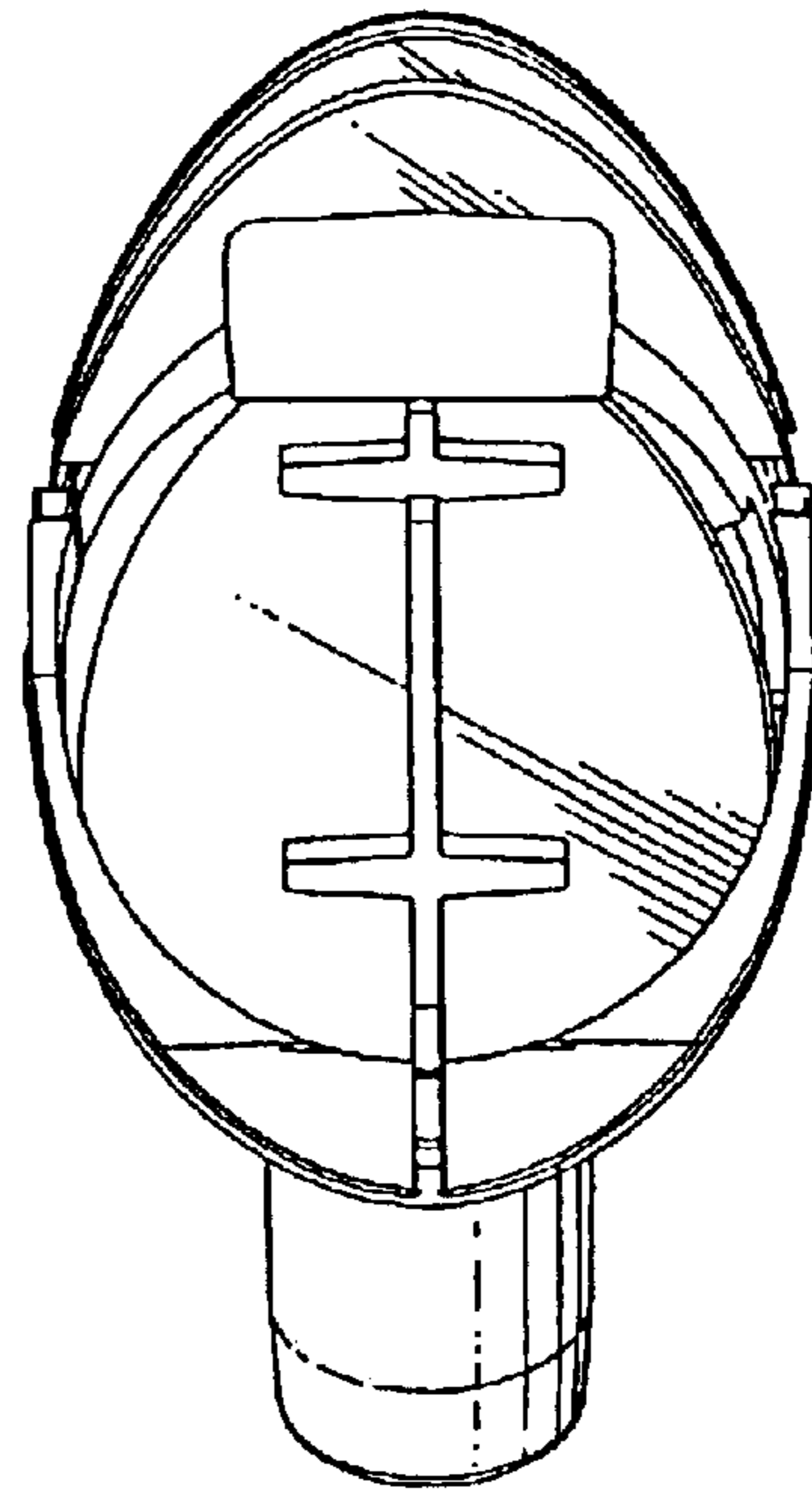


FIG. 6

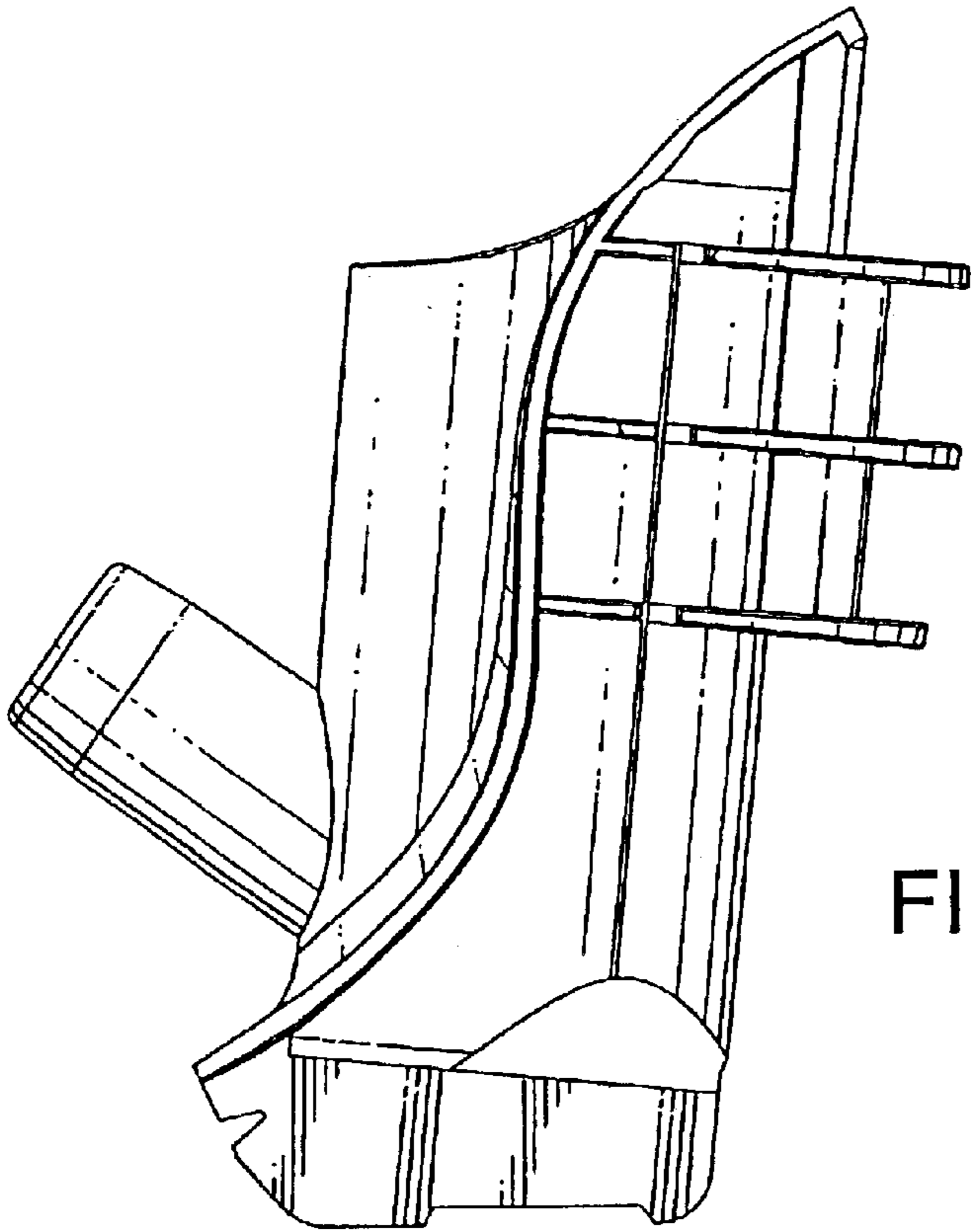


FIG. 7

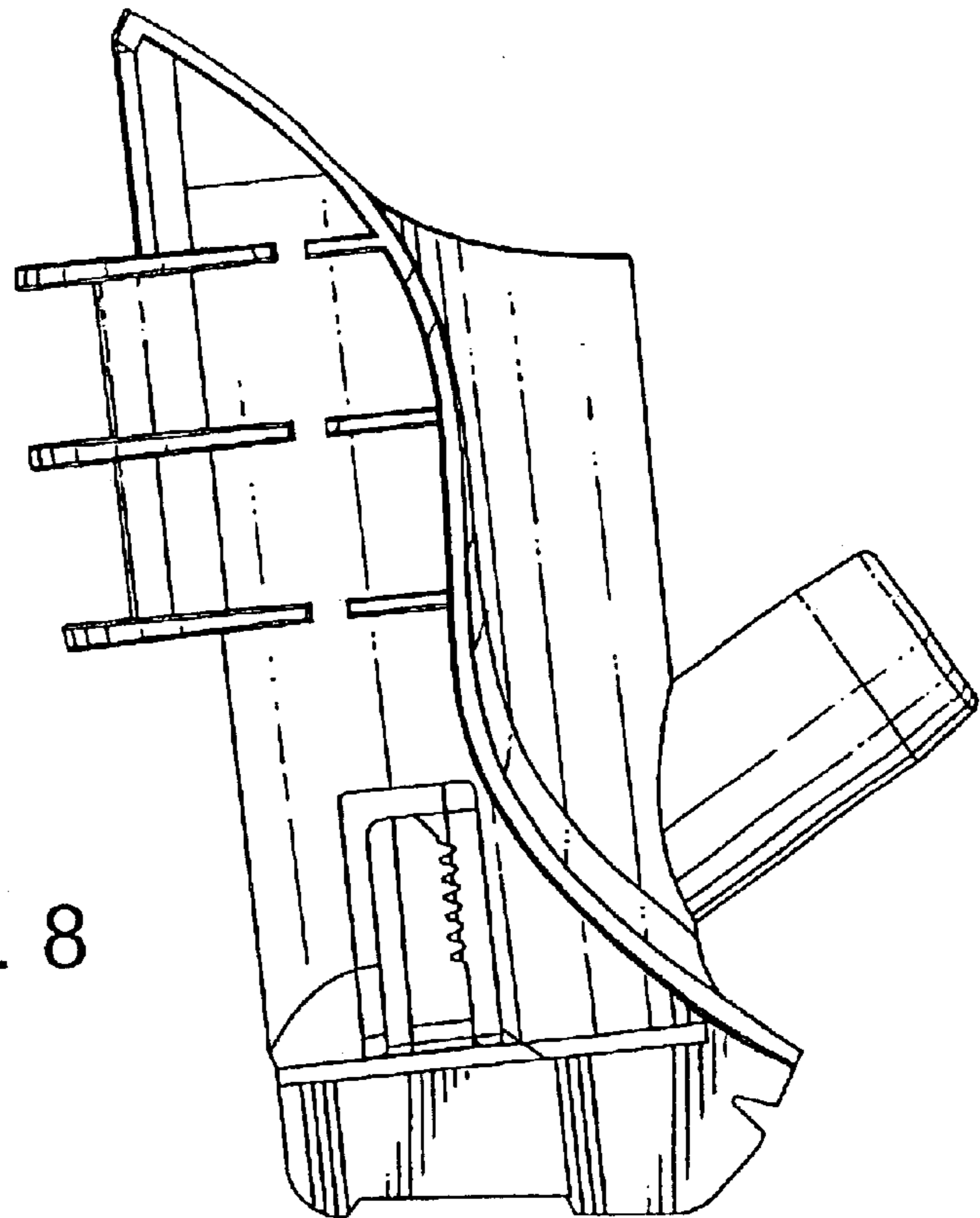


FIG. 8