



US00D501549S

(12) **United States Design Patent** (10) **Patent No.:** **US D501,549 S**
McAllister et al. (45) **Date of Patent:** **** Feb. 1, 2005**

(54) **CAPSULE**
(75) Inventors: **Stephen Mark McAllister**, Harlow (GB); **Brian Hewitt**, Hertfordshire (GB)
(73) Assignee: **SmithKline Beecham p.l.c.** (GB)
(**) Term: **14 Years**
(21) Appl. No.: **29/187,864**
(22) Filed: **Aug. 11, 2003**

Related U.S. Application Data

(60) Division of application No. 29/164,732, filed on Jul. 29, 2002, now Pat. No. Des. 481,456, which is a continuation-in-part of application No. 29/162,299, filed on Jun. 13, 2002, now abandoned, which is a continuation-in-part of application No. 29/154,888, filed on Jan. 30, 2002, now abandoned.
(51) **LOC (7) Cl.** **28-01**
(52) **U.S. Cl.** **D24/104**
(58) **Field of Search** D24/100, 101, D24/102, 103, 104; D28/8.1, 8.2; D1/112, 108; 424/732, 439, 451, 464, 467, 468; 426/78; D21/440

References Cited

U.S. PATENT DOCUMENTS

D27,293 S * 7/1897 Tatum D24/101
787,887 A 4/1905 Baker
1,243,501 A 10/1917 Fraser
D53,657 S 7/1919 Hollywood
D54,074 S 11/1919 Fritz
D54,390 S 2/1920 De Mott
D59,910 S * 12/1921 Noble D24/101
1,915,392 A 6/1933 Thomson
D187,372 S 3/1960 Dailey
3,048,526 A 8/1962 Boswell
3,113,076 A 12/1963 Jacobs
D202,392 S 9/1965 Horne
3,279,995 A 10/1966 Reid
D218,368 S 8/1970 Johnson
D225,627 S 12/1972 Gomel et al.
D235,215 S * 5/1975 Larsen D24/104
D258,091 S 1/1981 Reed et al.

D258,762 S 3/1981 Corrigan et al.
D284,411 S * 6/1986 Taylor, Jr. D24/104
D285,837 S * 9/1986 Wittwer D24/104
4,735,805 A 4/1988 Ni et al.
D301,763 S 6/1989 Rhoa et al.
D309,035 S 7/1990 Ni et al.
D309,505 S * 7/1990 Colton D24/101
D312,322 S * 11/1990 Calandrillo D24/103
D335,704 S * 5/1993 Casberg D24/101
D377,085 S 12/1996 Tortarolo
D377,086 S 12/1996 Tortarolo
D396,537 S 8/1998 Stanton
D419,261 S 1/2000 Binstock et al.
D420,464 S 2/2000 Binstock et al.
D430,932 S 9/2000 Vickery et al.
D434,137 S * 11/2000 Davis D24/104
D447,835 S 9/2001 Whitaker et al.
D464,425 S * 10/2002 Meron et al. D24/104
D481,456 S * 10/2003 McAllister et al. D24/104

* cited by examiner

Primary Examiner—Charles A. Rademaker
(74) *Attorney, Agent, or Firm*—Finnegan, Henderson, Farabow, Garrett, & Dunner, L.L.P.

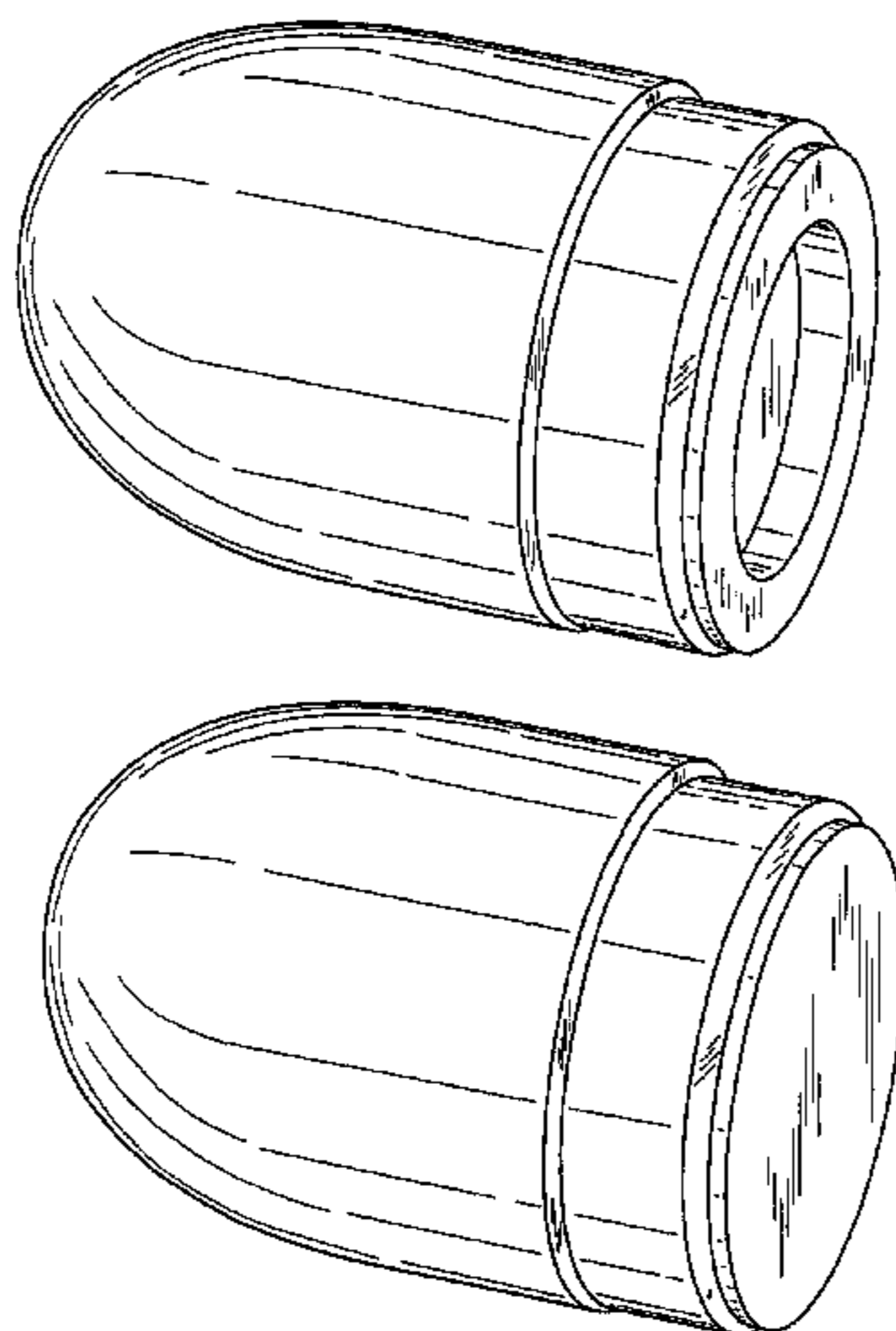
(57) **CLAIM**

The ornamental design for a capsule, as shown and described.

DESCRIPTION

FIG. 1 is a perspective view of a capsule showing our new design;
FIG. 2 is a bottom plan view thereof;
FIG. 3 is a top plan view thereof;
FIG. 4 is a side elevation thereof;
FIG. 5 is a side elevation of the side opposite that shown in FIG. 4;
FIG. 6 is a perspective view of a modified embodiment of the design shown in FIGS. 1 through 5;
FIG. 7 is a bottom plan view thereof;
FIG. 8 is a top plan view thereof;
FIG. 9 is a side elevation thereof; and,
FIG. 10 is a side elevation of the side opposite that shown in FIG. 9.

1 Claim, 6 Drawing Sheets



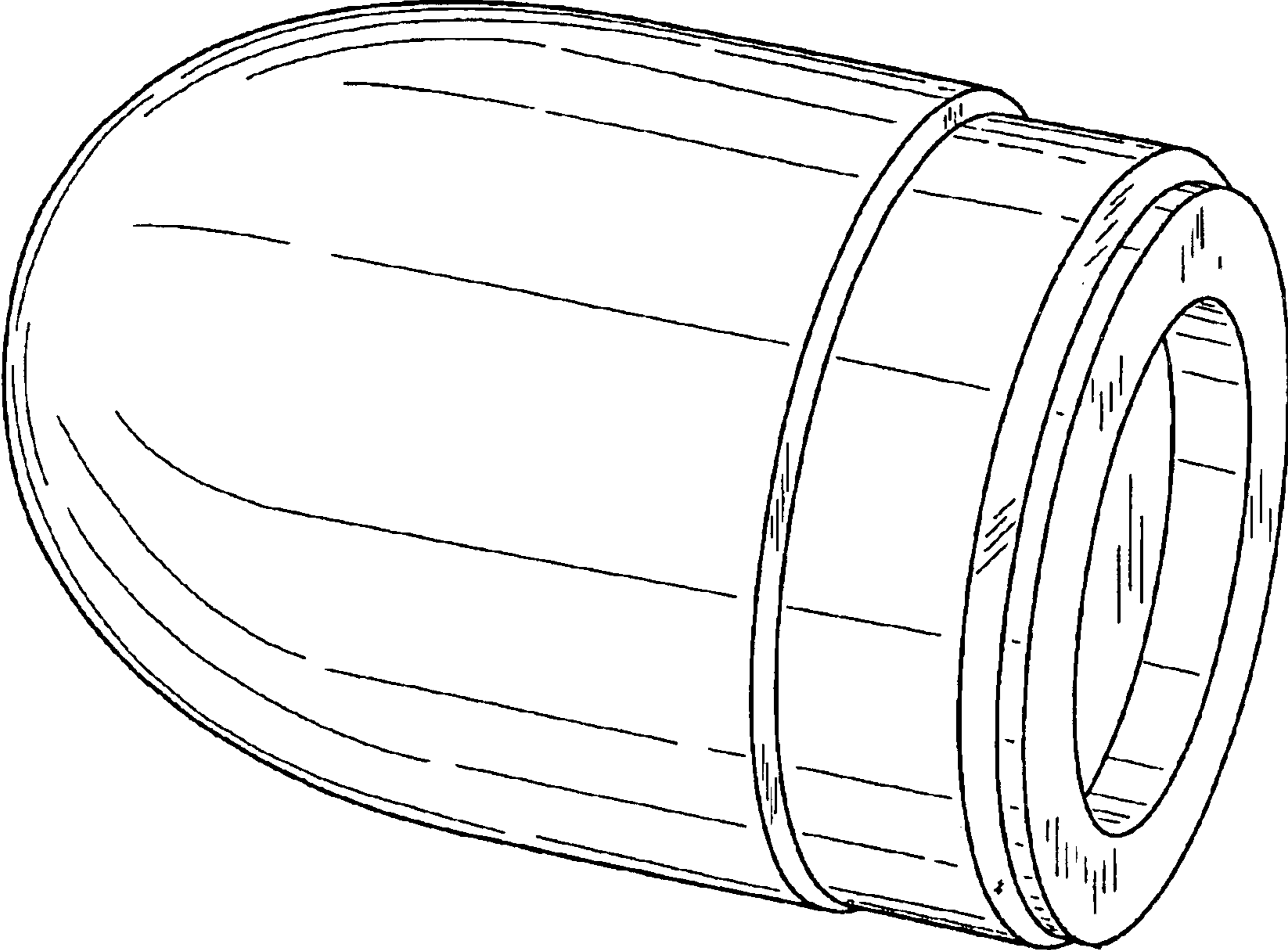


FIG. 1

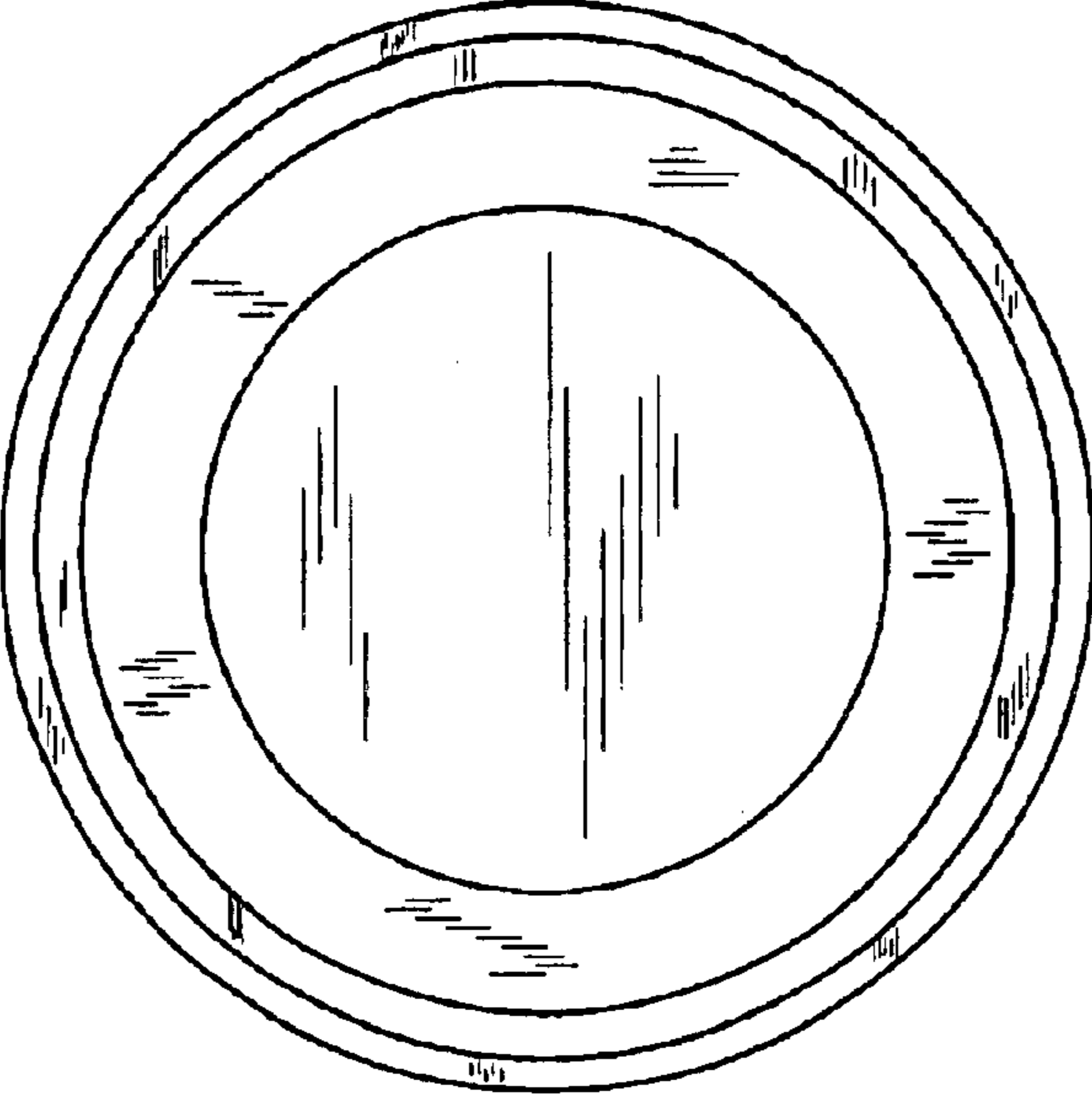


FIG. 2

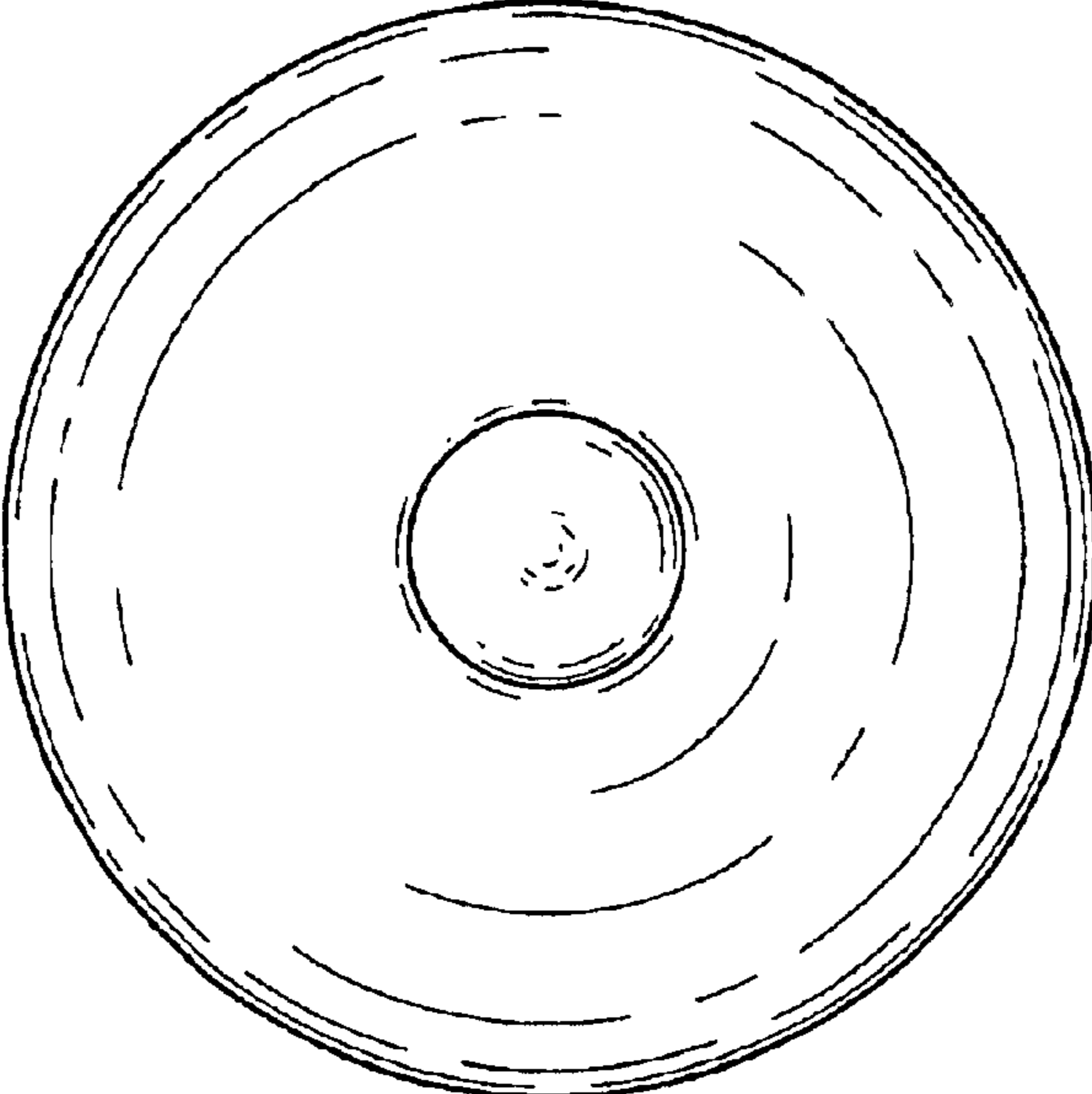


FIG. 3

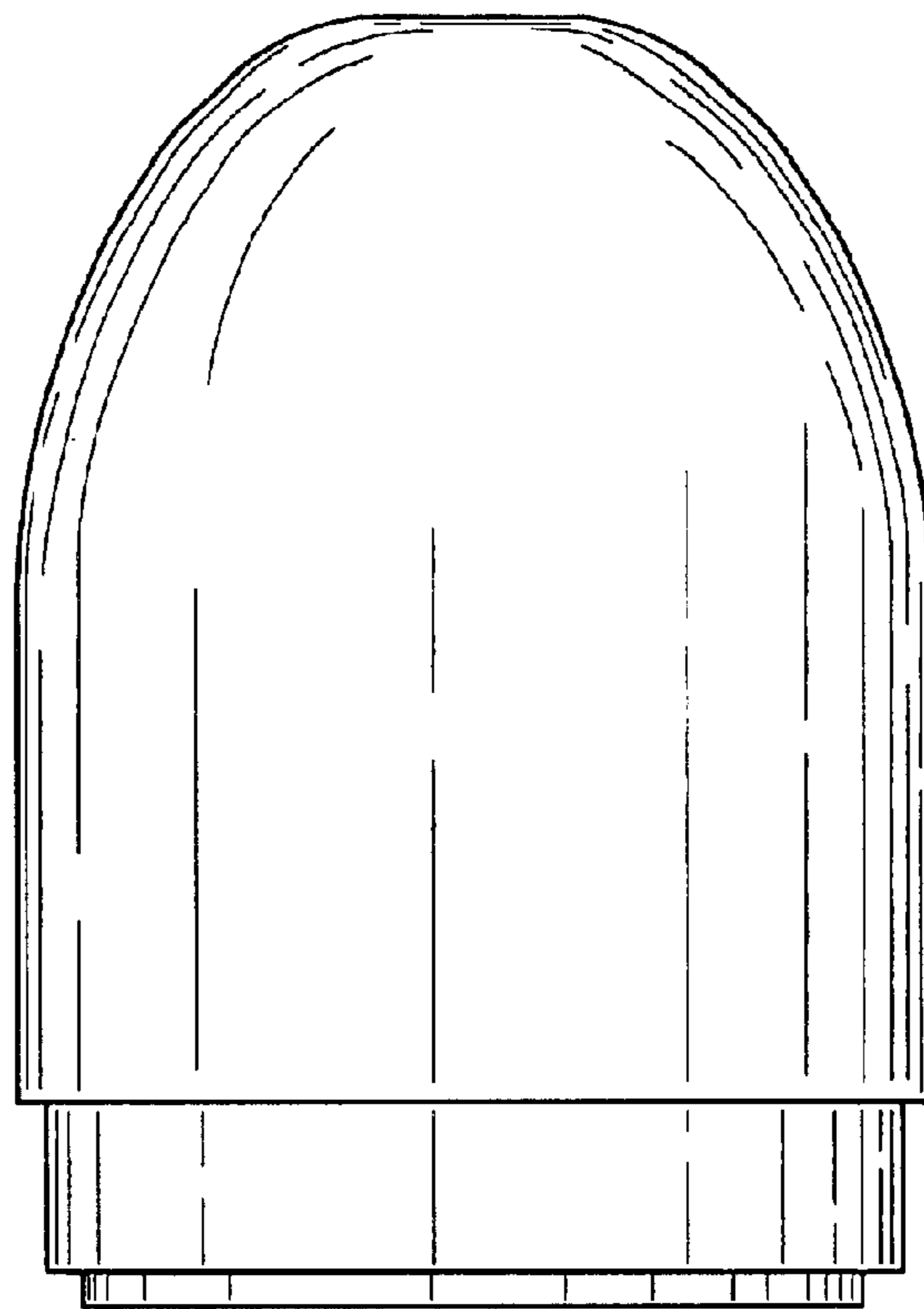


FIG. 4

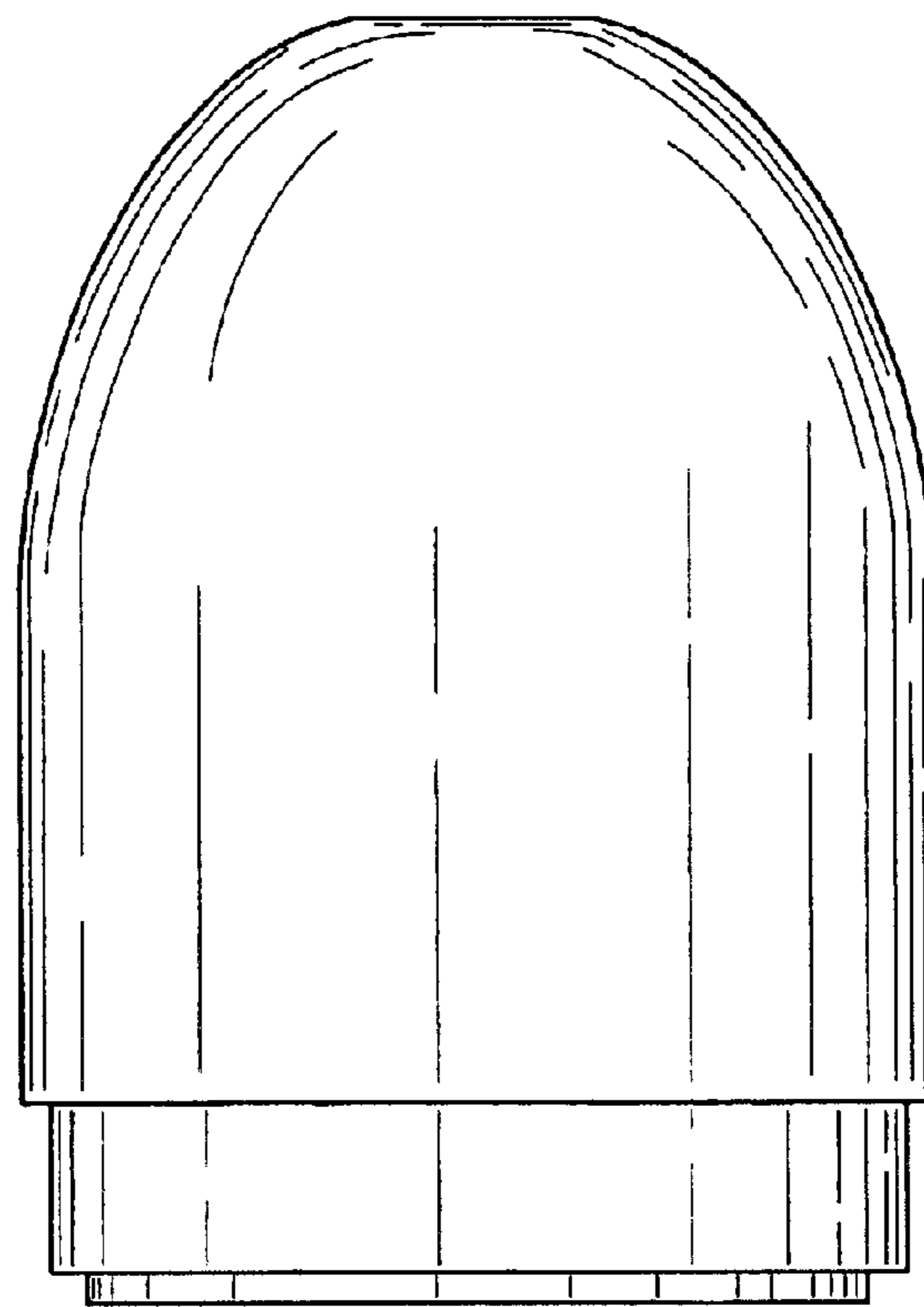


FIG. 5

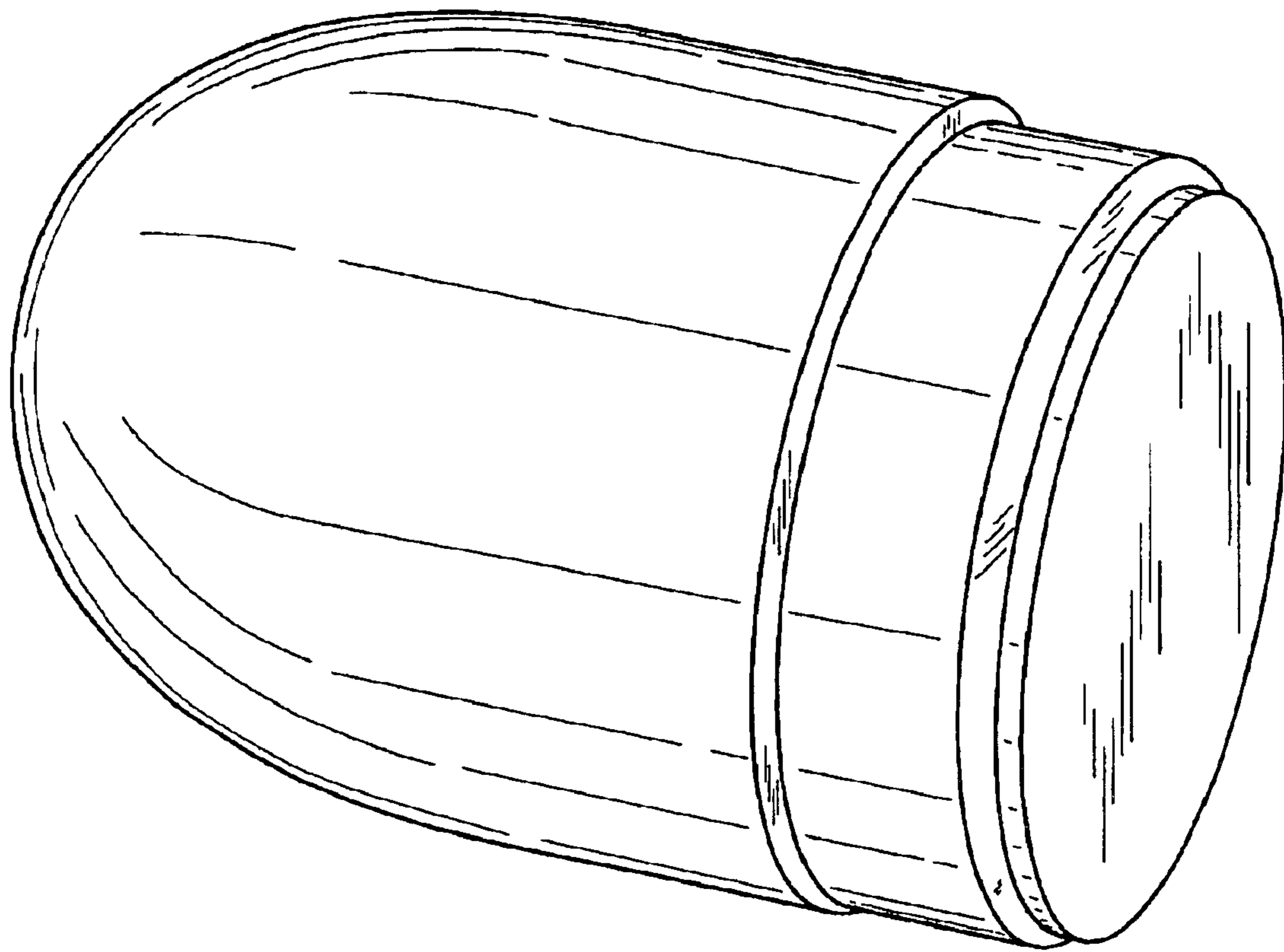


FIG. 6

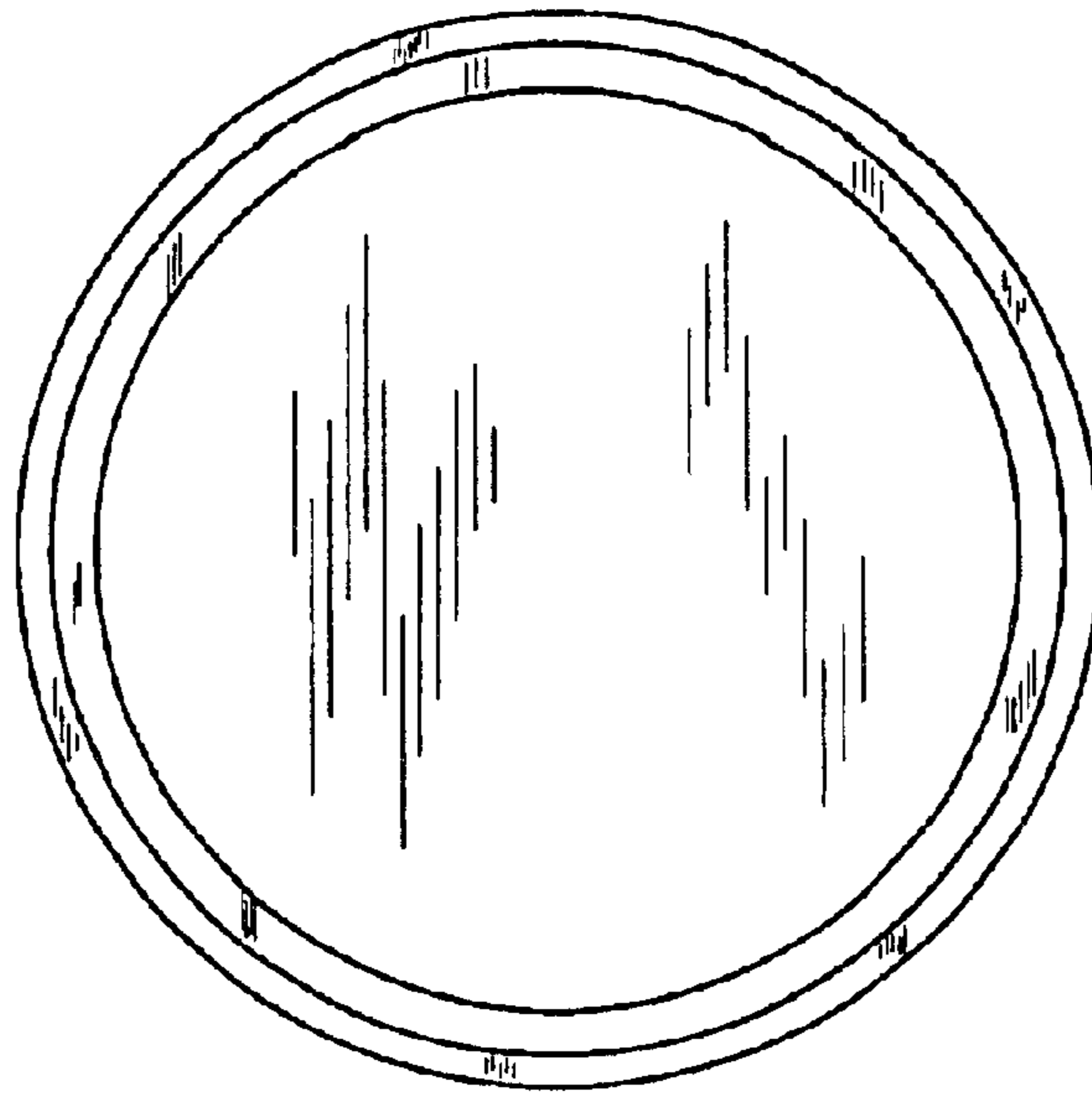


FIG. 7

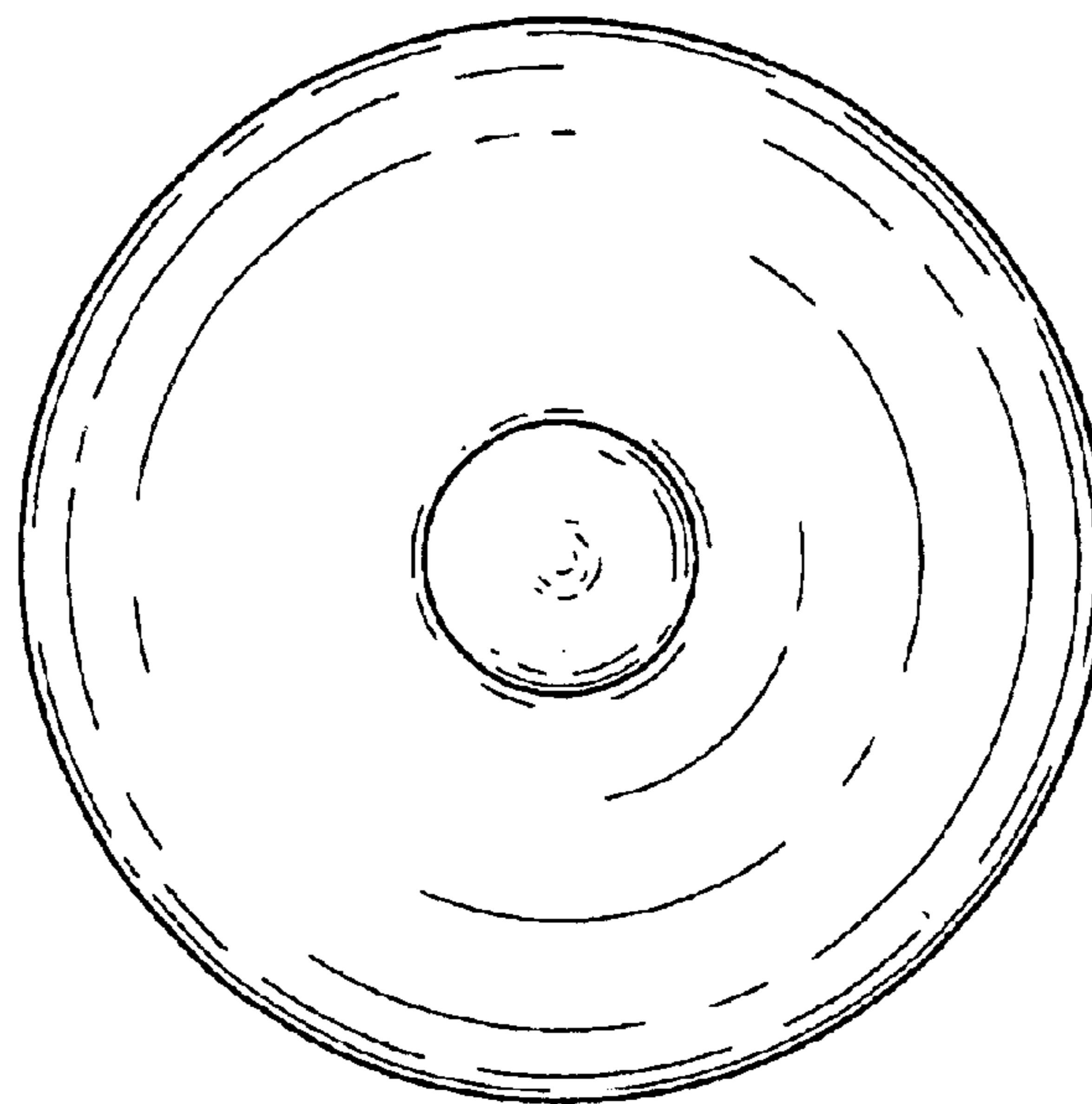


FIG. 8

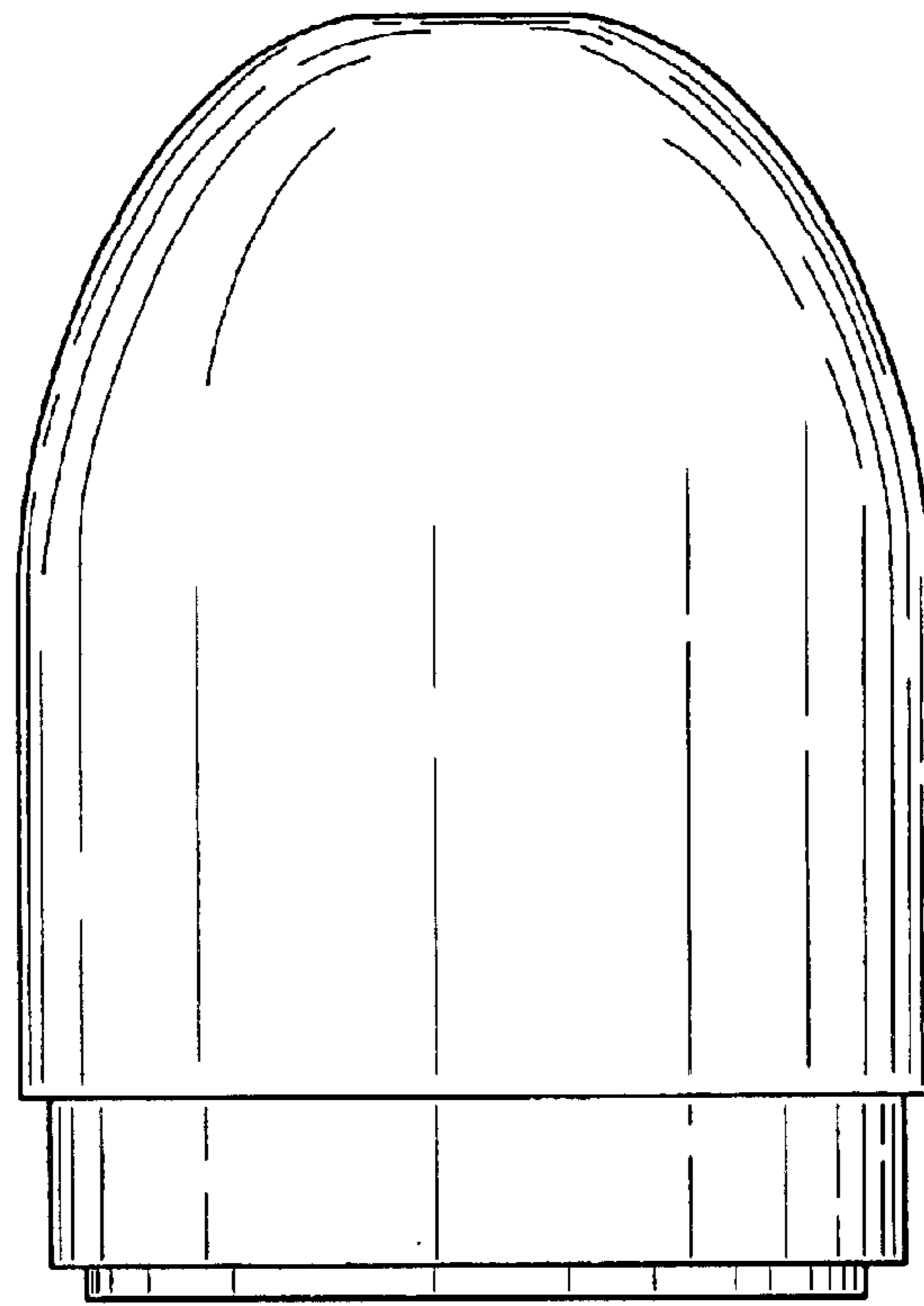


FIG. 9

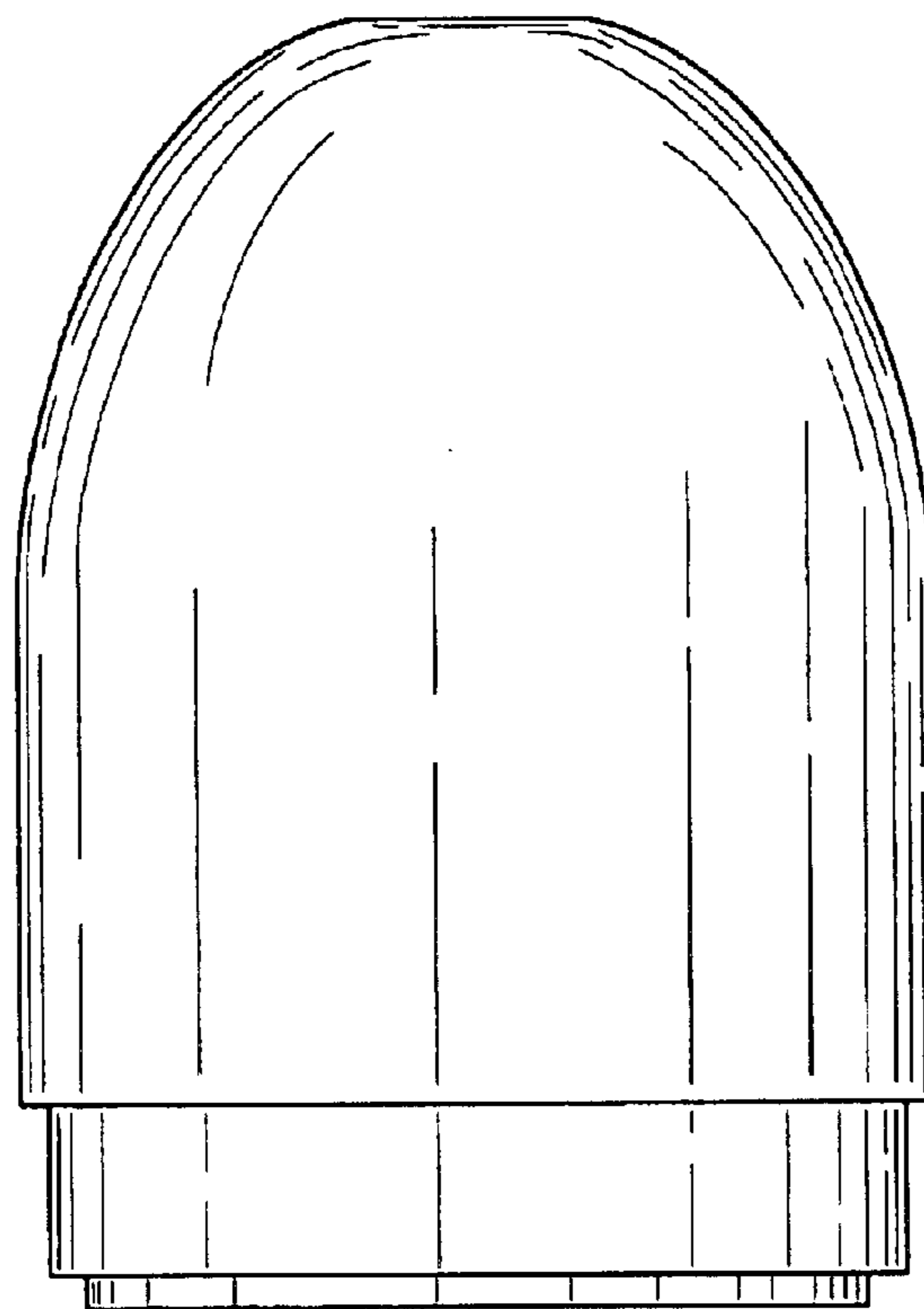


FIG. 10