

US00D501548S

(12) **United States Design Patent** (10) **Patent No.:** **US D501,548 S**  
**Stout, Jr.** (45) **Date of Patent:** **\*\* Feb. 1, 2005**

- (54) **DUCT TAP WITH AN INDENTED END**
- (75) Inventor: **William K. Stout, Jr.**, Mason, OH (US)
- (73) Assignee: **Eastern Sheet Metal LLC**, Cincinnati, OH (US)
- (\*\*) Term: **14 Years**
- (21) Appl. No.: **29/138,830**
- (22) Filed: **Mar. 20, 2001**
- (51) **LOC (7) Cl.** ..... **23-04**
- (52) **U.S. Cl.** ..... **D23/393**
- (58) **Field of Search** ..... D23/259, 262, D23/263, 266, 386, 387, 391, 393, 394; 138/111-117, DIG. 4, DIG. 11, 177; 285/47, 123.15, 123.16, 110, 374, 347, 232-234, 123.1, 123.3-123.7, 123.9, 122.1, 125.1, 129.1, 129.2, 131.1, 132.1, 133.11, 133.3, 133.6, 136.1, 139.1, 139.2, 139.3, 141.1, 142.1, 143.1, 148.22, 148.23, 148.24, 148.25, 189, 197-200, 332, 332.1, 334.1, 334.5, 405, 424; 454/228-236, 243, 270, 903, 906; 126/307 R, 312, 307 A, 314-317

(56) **References Cited**

**U.S. PATENT DOCUMENTS**

D25,709 S	6/1896	Pratt	
1,565,918 A	12/1925	Fitzgerald	
1,570,974 A	1/1926	Stevens	
1,933,711 A	* 11/1933	Cornell, Jr.	285/189
1,941,465 A	* 1/1934	Cornell, Jr.	285/133.11
2,314,386 A	3/1943	Brend	
2,544,108 A	3/1951	Richardson	
2,616,728 A	* 11/1952	Pitt	285/47
2,930,635 A	3/1960	Woodling	
3,015,510 A	1/1962	Bates	

(List continued on next page.)

**FOREIGN PATENT DOCUMENTS**

DE	2840962	4/1979
----	---------	--------

DK	150025 B	11/1986
EP	092881 A2	11/1983
EP	0273221 B1	7/1988
EP	0389462 A1	9/1990

(List continued on next page.)

**OTHER PUBLICATIONS**

Hallstroms Verkstader 2 page advertisement and an English translation of portions thereof. Mar. 21, 2000.  
*Ducts and Fittings* Product Brochure, Lindab Ltd., Northampton, Great Britain (undated), front and back covers and pp. 3-52.

(List continued on next page.)

*Primary Examiner*—Stella Reid  
*Assistant Examiner*—C. Tuttle  
 (74) *Attorney, Agent, or Firm*—Dinsmore & Shohl LLP

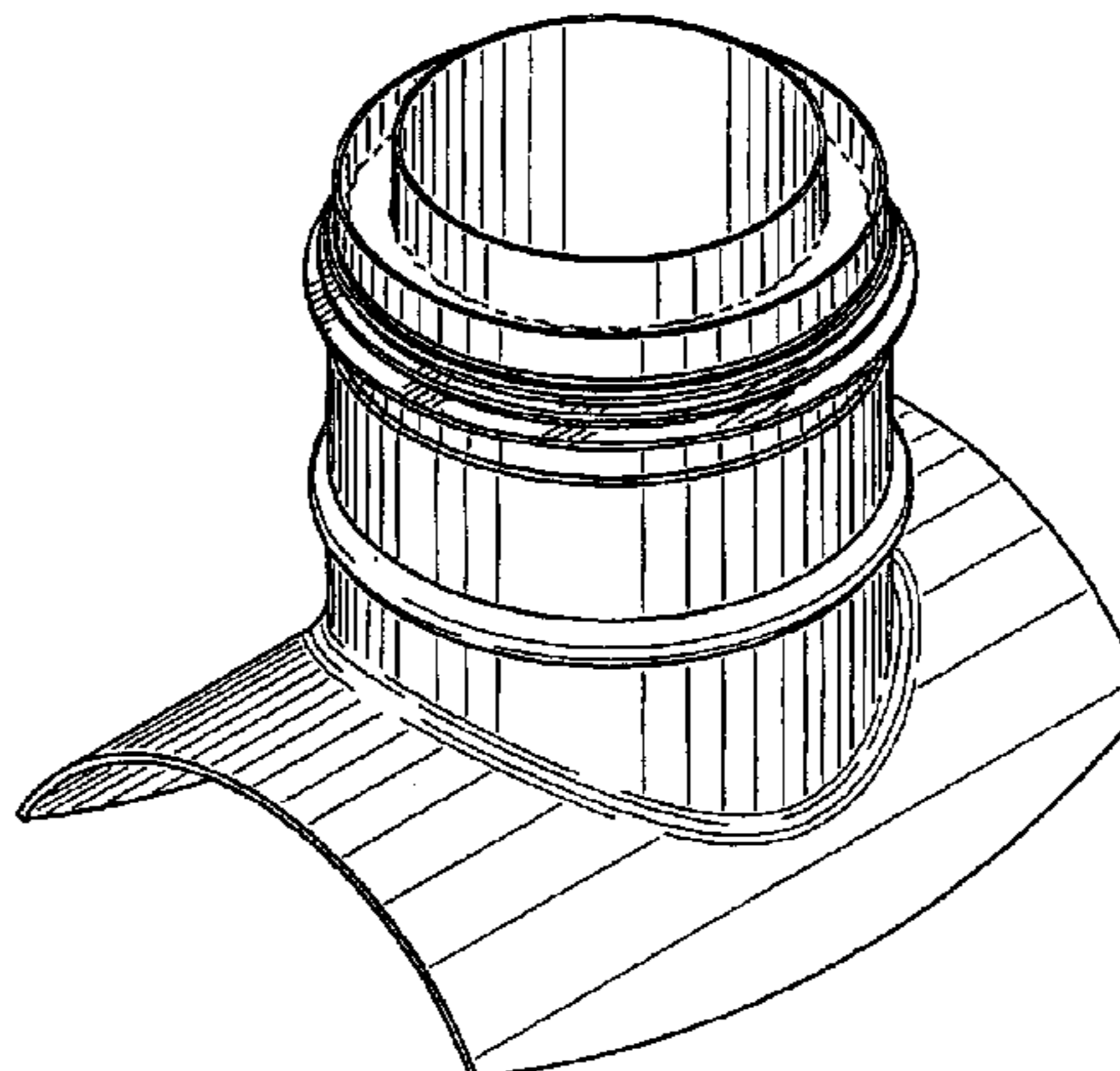
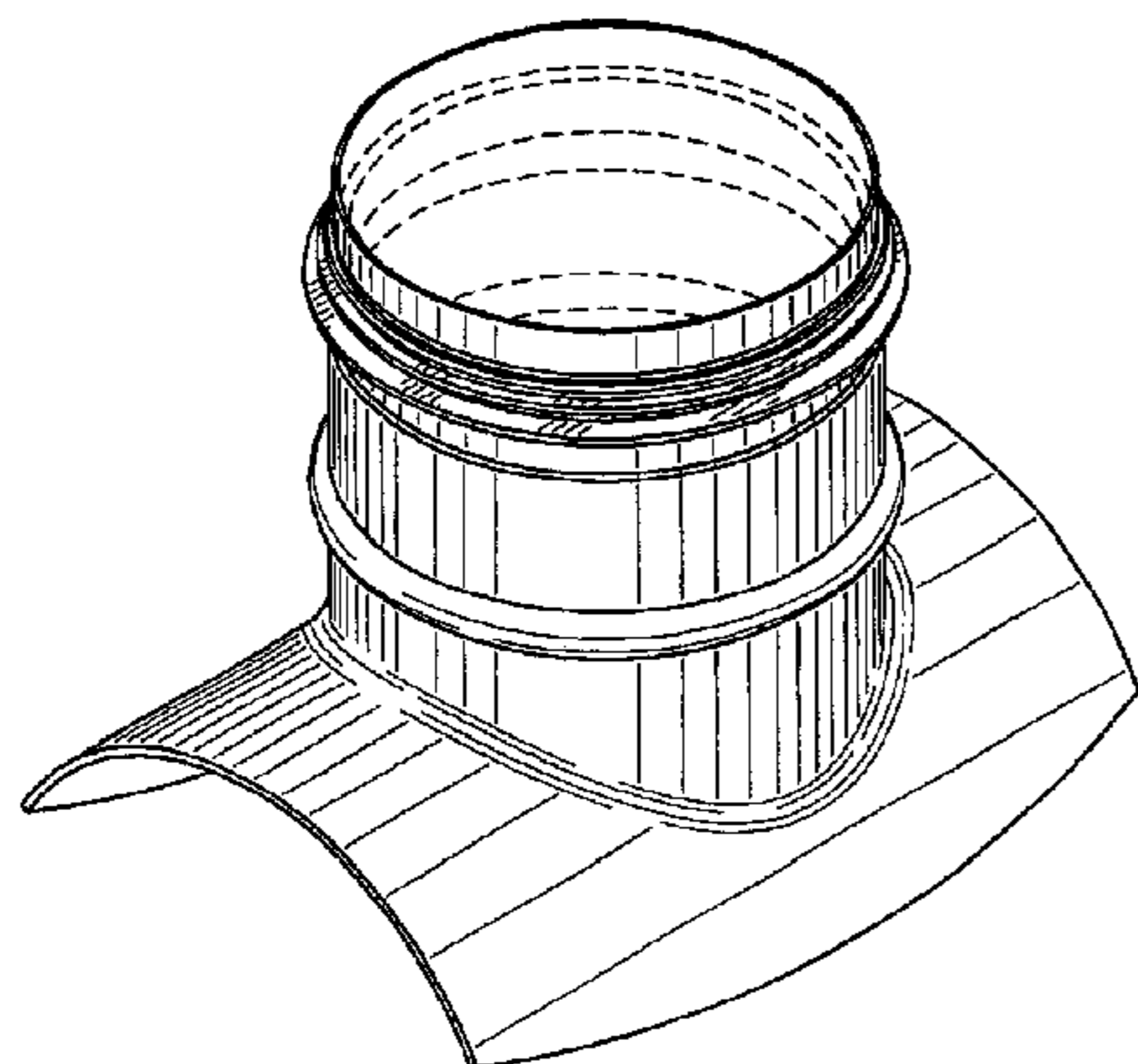
(57) **CLAIM**

The ornamental design for a duct tap with an indented end, as shown and described.

**DESCRIPTION**

FIG. 1 is a front view of a first embodiment of the duct tap with an indented end;  
 FIG. 2 is a right side view of the duct tap of FIG. 1; the left side view being a mirror image of FIG. 2;  
 FIG. 3 is a top view of the duct tap of FIG. 1;  
 FIG. 4 is a front right perspective view of the first embodiment of the duct tap; the front left perspective view being a mirror image of FIG. 4;  
 FIG. 5 is a front view of a second embodiment of the duct tap with an indented end;  
 FIG. 6 is a right side view of the duct tap of FIG. 5; the left side view being a mirror image of FIG. 6;  
 FIG. 7 is a top view of the duct tap of FIG. 5; and,  
 FIG. 8 is a front right perspective view of the second embodiment of the duct tap; the front left perspective view being a mirror image of FIG. 8.  
 The broken lines shown in the figures are for illustrative purposes only and form no part of the claimed design.

**1 Claim, 4 Drawing Sheets**



U.S. PATENT DOCUMENTS

D234,847	S	4/1975	Hoffman	
3,955,834	A	5/1976	Ahlrot	
4,007,941	A	2/1977	Stancati	
4,050,703	A	9/1977	Tuvelsson et al.	
4,193,246	A	3/1980	Schiefer et al.	
4,216,981	A	8/1980	Jensen	
4,369,159	A	1/1983	Irmer	
D273,702	S	5/1984	Widerby et al.	
4,664,421	A	5/1987	Jones	
5,390,961	A	* 2/1995	Guthrie .....	285/41
5,405,174	A	4/1995	Sondén et al.	
5,407,122	A	4/1995	Stefansson et al.	
D360,018	S	7/1995	Sondén et al.	
D360,019	S	7/1995	Sondén et al.	
D360,020	S	7/1995	Sondén et al.	
D360,021	S	7/1995	Sondén et al.	
D361,829	S	8/1995	Sondén et al.	
D362,299	S	9/1995	Sondén et al.	
D362,300	S	9/1995	Sondén et al.	
5,452,922	A	* 9/1995	Ziu .....	285/123.1
D363,115	S	10/1995	Lennartsson	
5,473,815	A	12/1995	Sonden et al.	
D367,316	S	2/1996	Sondén et al.	
D368,304	S	3/1996	Morrison	
5,531,460	A	7/1996	Stefansson et al.	
D377,829	S	2/1997	Andresen	
5,599,600	A	2/1997	Rau	
5,649,662	A	7/1997	Krichau et al.	
D383,053	S	9/1997	Schrader et al.	
D383,195	S	9/1997	Sondén et al.	
D383,196	S	9/1997	Sondén et al.	
D386,246	S	11/1997	Sondén et al.	
D402,354	S	12/1998	Strong et al.	
D407,802	S	4/1999	Hatfield et al.	
D427,667	S	7/2000	Stout, Jr.	
D427,668	S	7/2000	Stout, Jr.	
D427,673	S	7/2000	Stout, Jr.	
D430,482	S	9/2000	Stout, Jr.	
D435,090	S	12/2000	Stout, Jr.	
D437,034	S	1/2001	Stout, Jr.	
6,170,883	B1	1/2001	Mattsson et al.	
D447,223	S	8/2001	Mattsson et al.	
D454,949	S	3/2002	Mattsson et al.	
D456,071	S	4/2002	Mattsson et al.	
D456,072	S	4/2002	Mattsson et al.	
D461,887	S	8/2002	Mattsson et al.	
6,431,609	B1	8/2002	Andersson	

FOREIGN PATENT DOCUMENTS

EP	0758066	B1	2/1997
FR	2015241		4/1970
GB	1587018		3/1981
IT	1285018		3/1998
NO	174861		4/1994
SE	13987		1/1974
SE	17788		4/1976
SE	19819		4/1977
SE	25473		4/1980
SE	25610		4/1980
SE	26059		7/1980
SE	26995		12/1980
WO	WO9415133		7/1994

OTHER PUBLICATIONS

“Sistema Di Tenuta Ring”, Issued by Climovent System, an Italian Company; pp. 1–6 (Undated).  
 “Veloduct” catalog 1997, ABB Ventilation Products AB, Division Veloduct.  
 U.S. Appl. No. 29/138,761.  
 U.S. Appl. No. 29/138,838.  
 U.S. Appl. No. 29/138,820.  
 U.S. Appl. No. 29/138,847.  
 U.S. Appl. No. 29/138,785.  
 U.S. Appl. No. 29/138,839.  
 U.S. Appl. No. 29/138,819.  
 U.S. Appl. No. 29/138,818.  
 U.S. Appl. No. 29/138,782.  
 U.S. Appl. No. 29/138,790.  
 U.S. Appl. No. 29/138,783.  
 U.S. Appl. No. 29/138,786.  
 U.S. Appl. No. 29/138,771.  
 U.S. Appl. No. 29/138,760.  
 U.S. Appl. No. 29/138,836.  
 U.S. Appl. No. 29/138,764.  
 U.S. Appl. No. 29/138,668.  
 U.S. Appl. No. 29/138,772.  
 U.S. Appl. No. 29/138,784.  
 U.S. Appl. No. 29/138,781.  
 U.S. Appl. No. 29/138,842.  
 U.S. Appl. No. 29/138,837.  
 U.S. Appl. No. 29/138,763.  
 U.S. Appl. No. 29/138,829.  
 U.S. Appl. No. 29/138,762.

\* cited by examiner

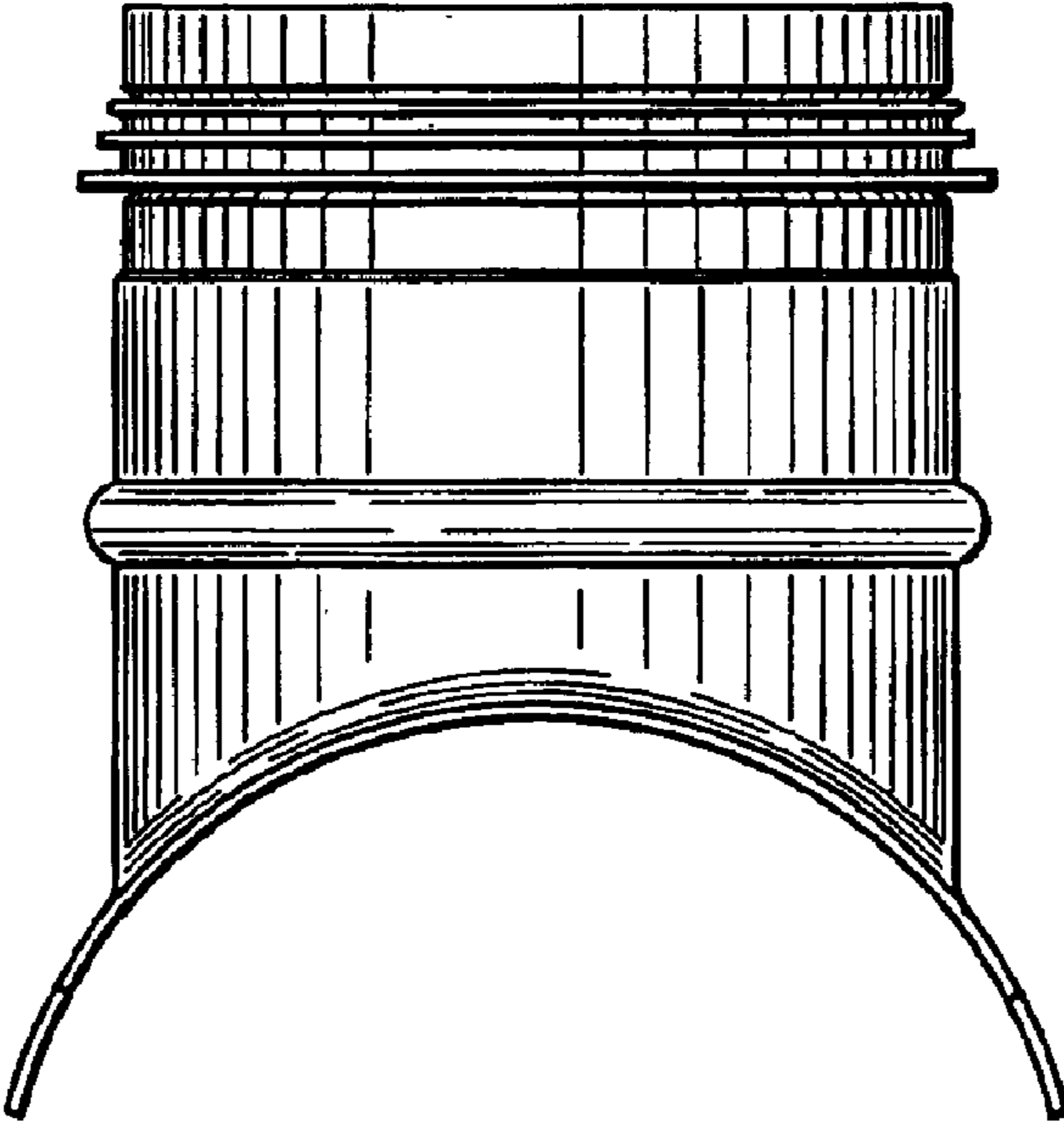


FIG. 1

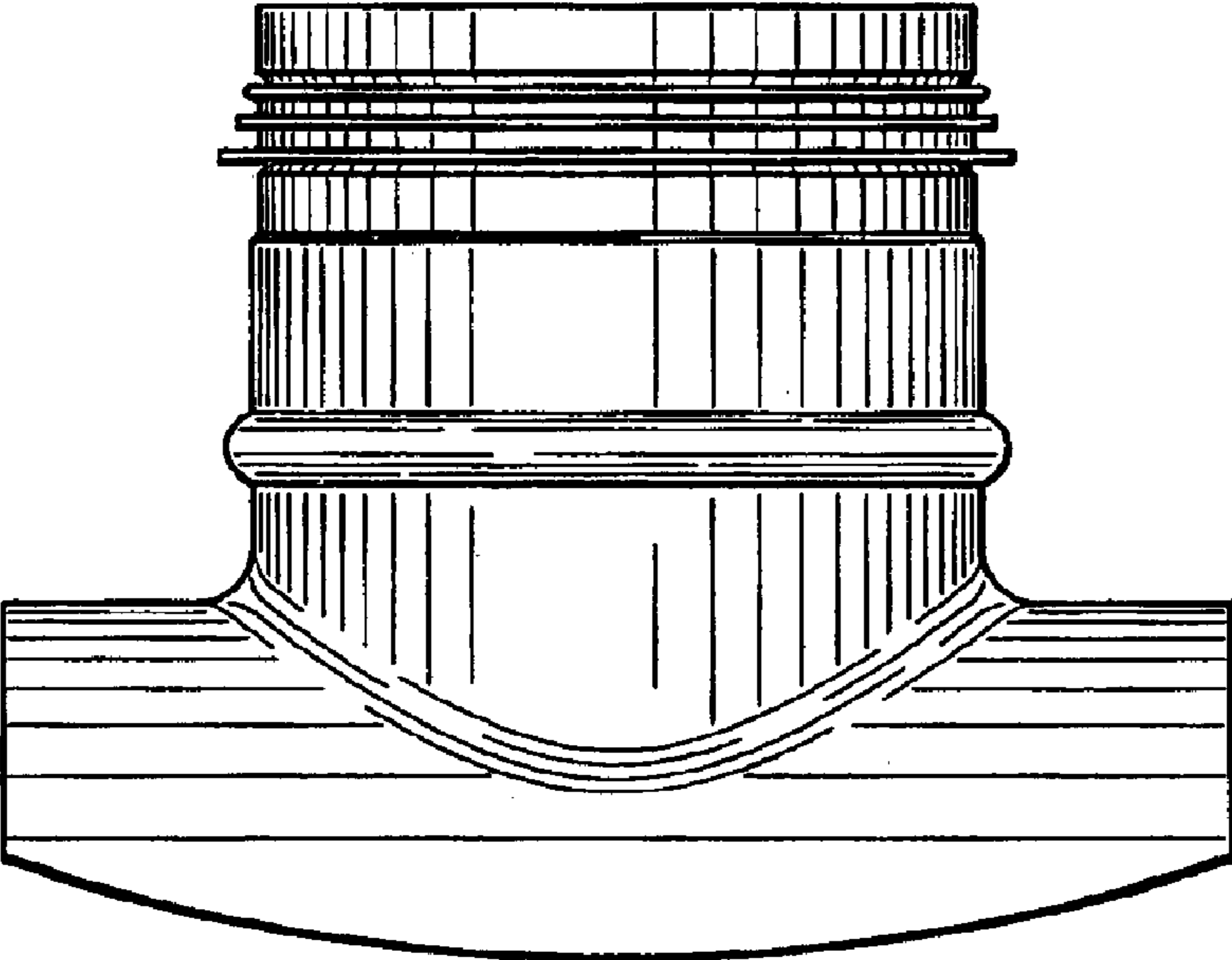


FIG. 2

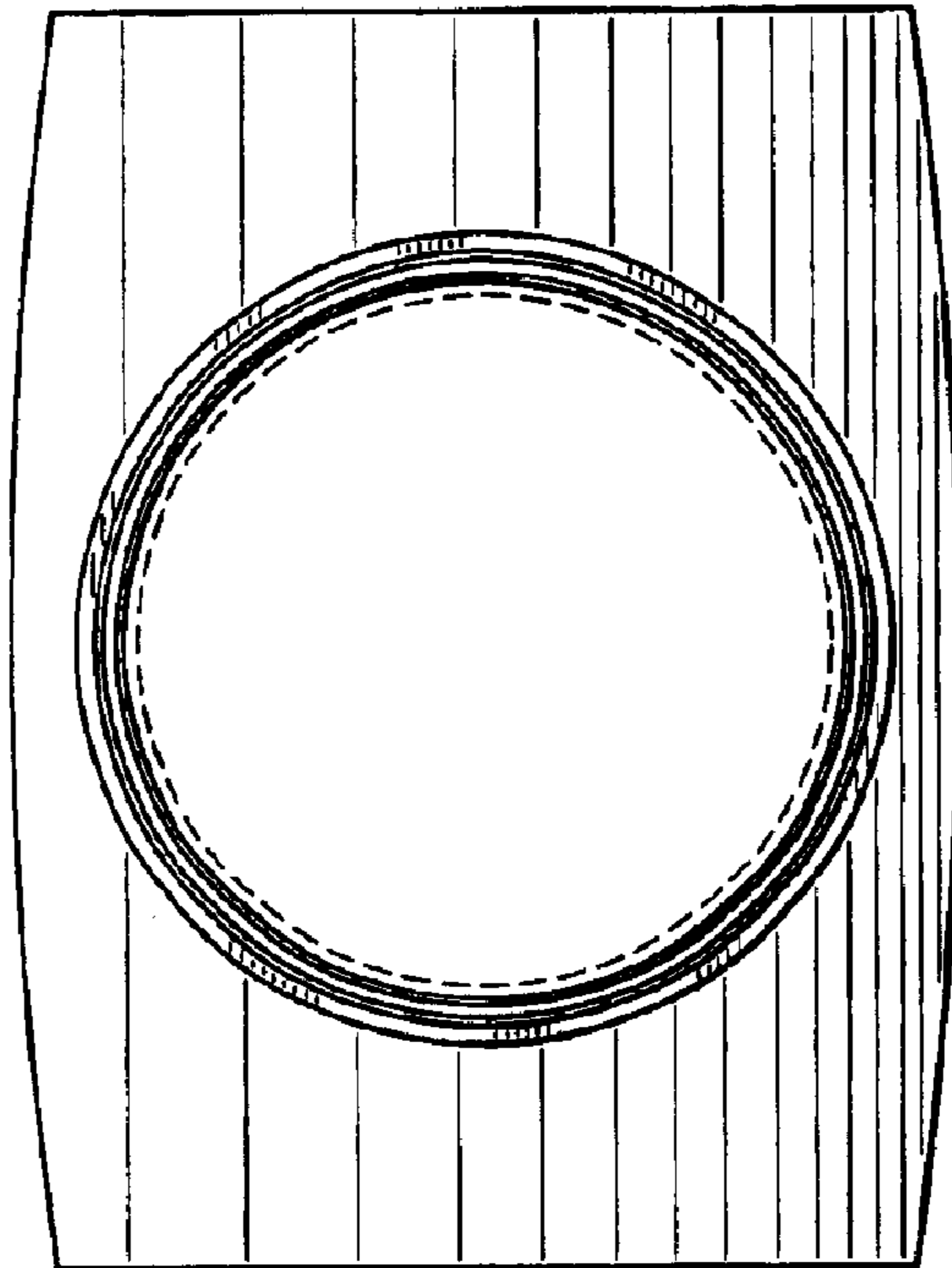


FIG. 3

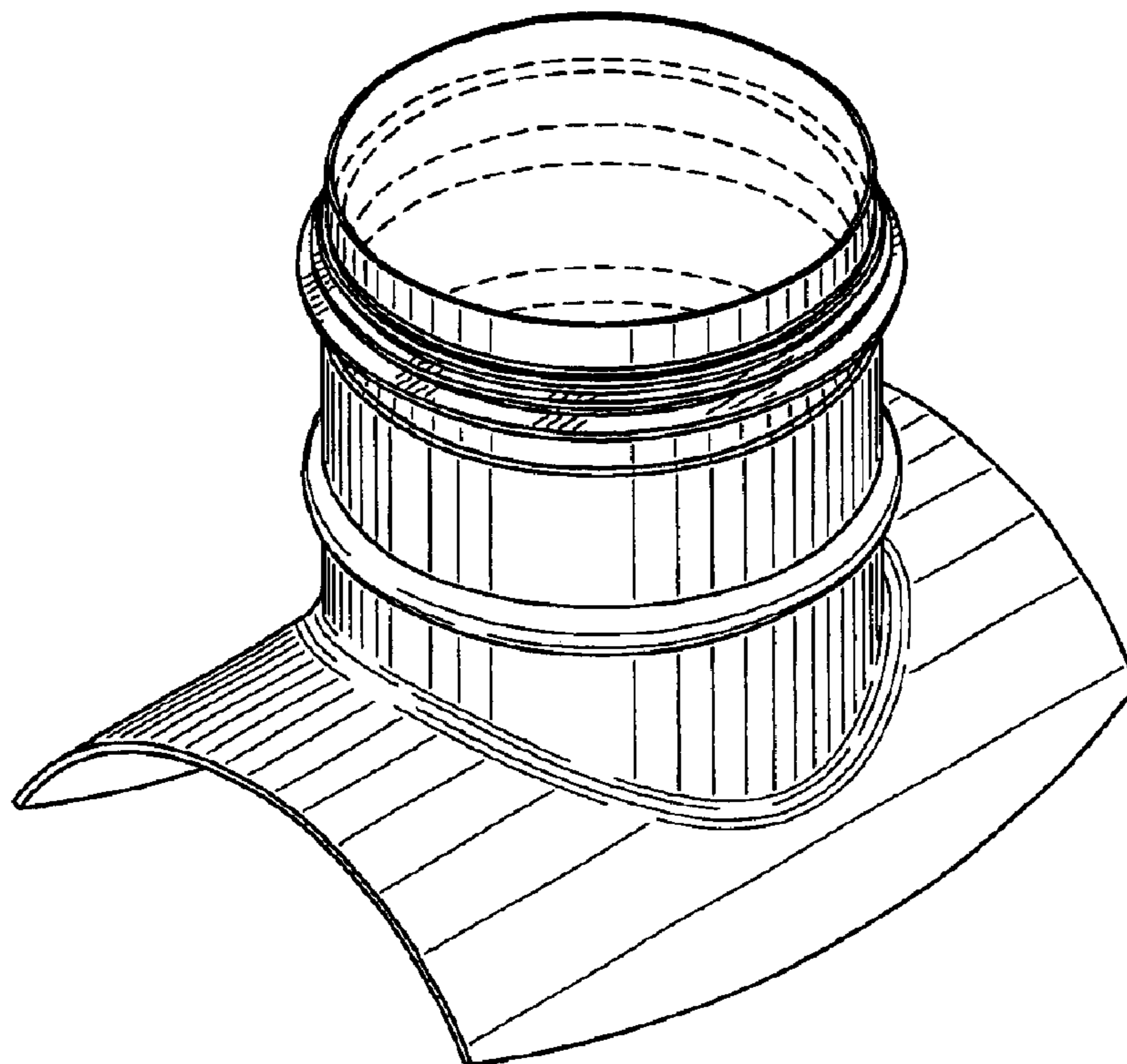


FIG. 4

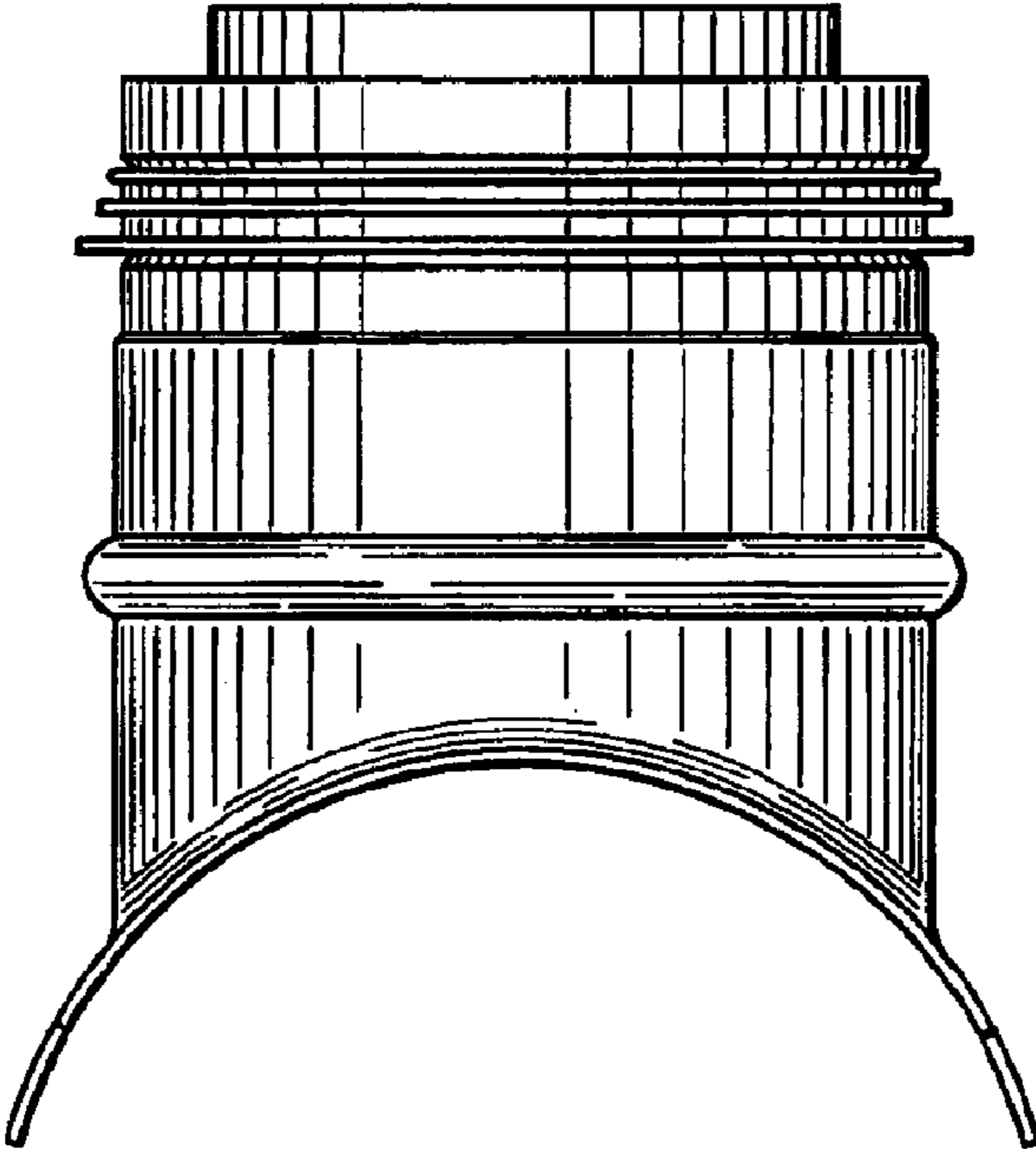


FIG. 5

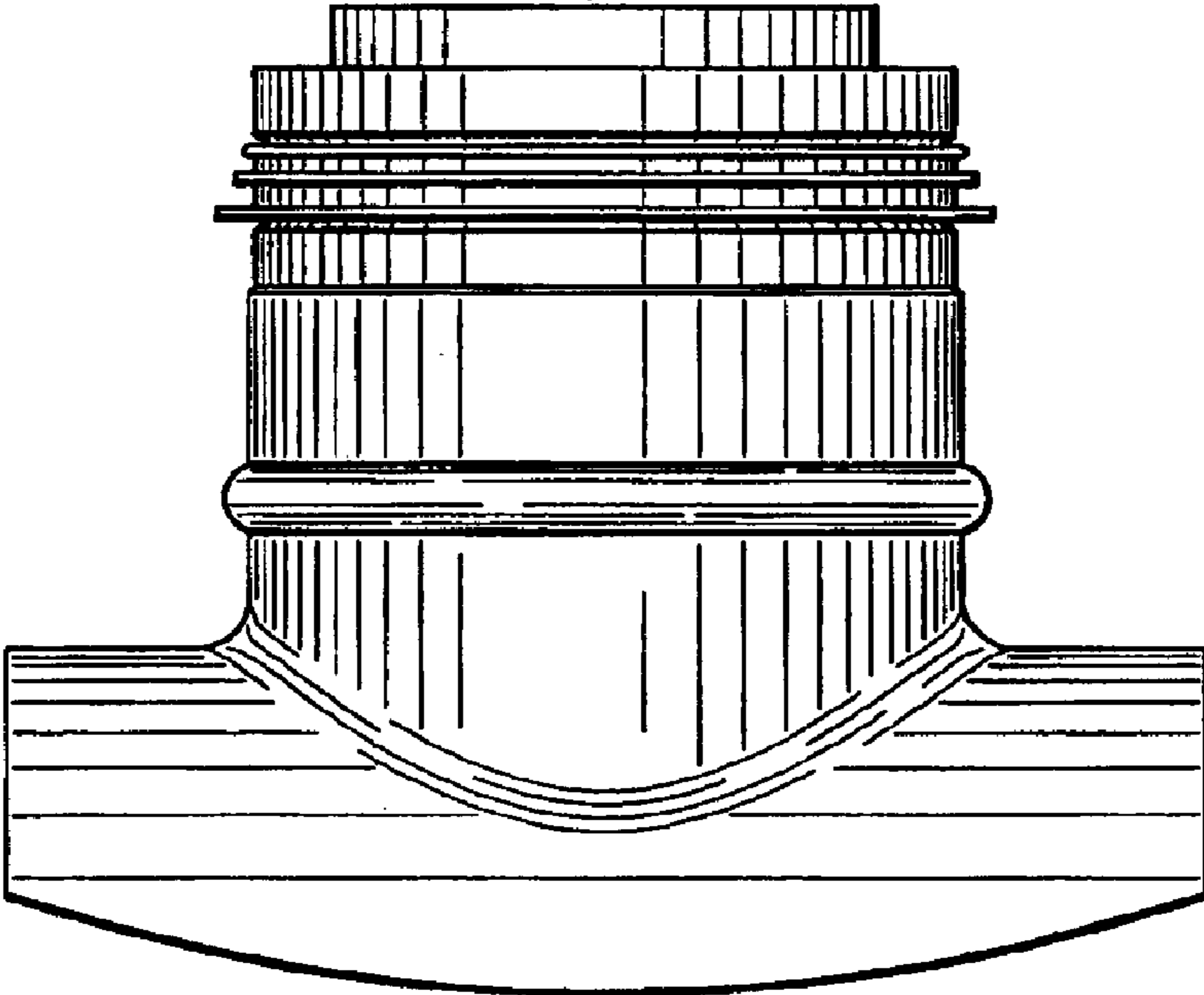


FIG. 6

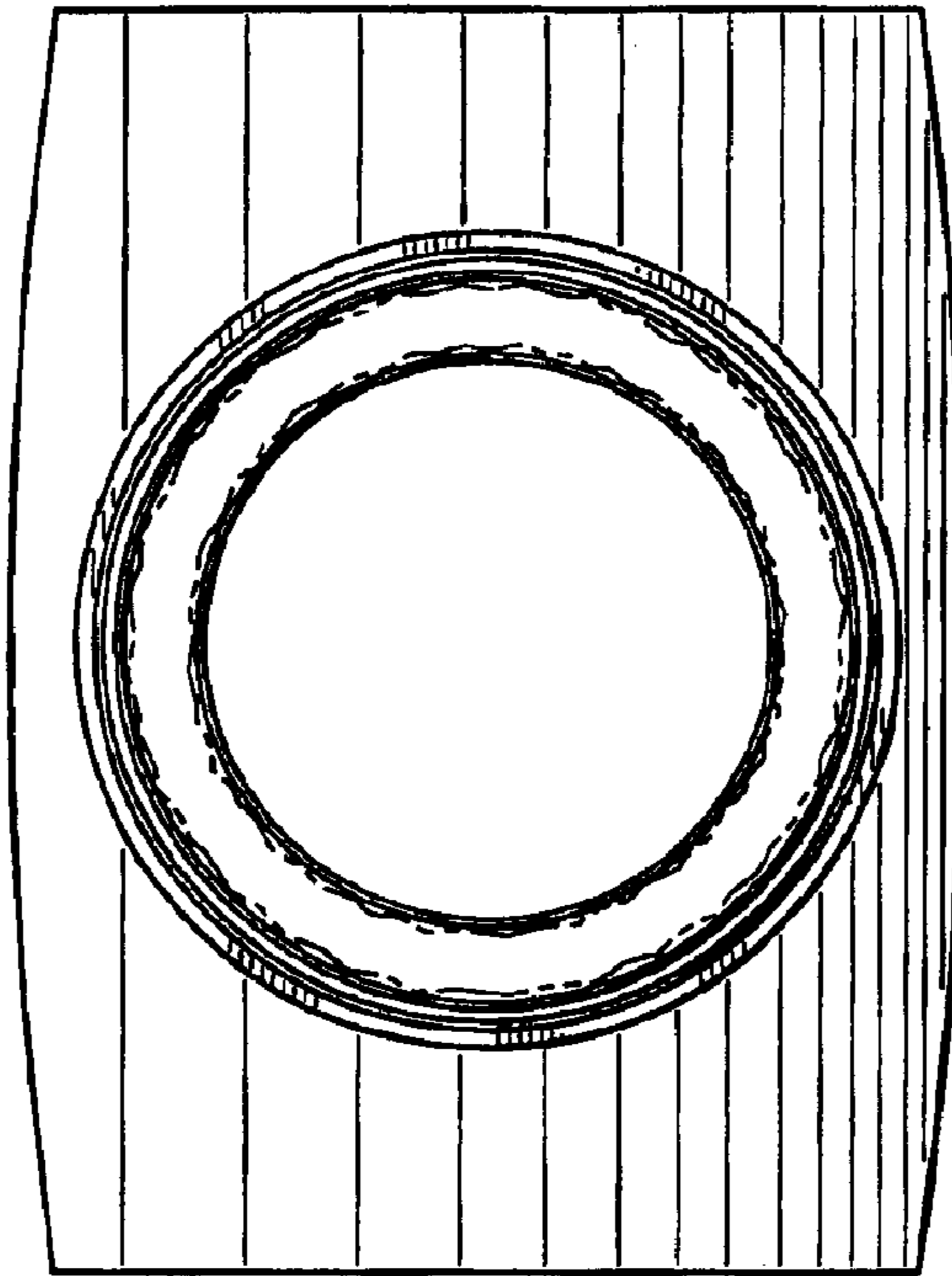


FIG. 7

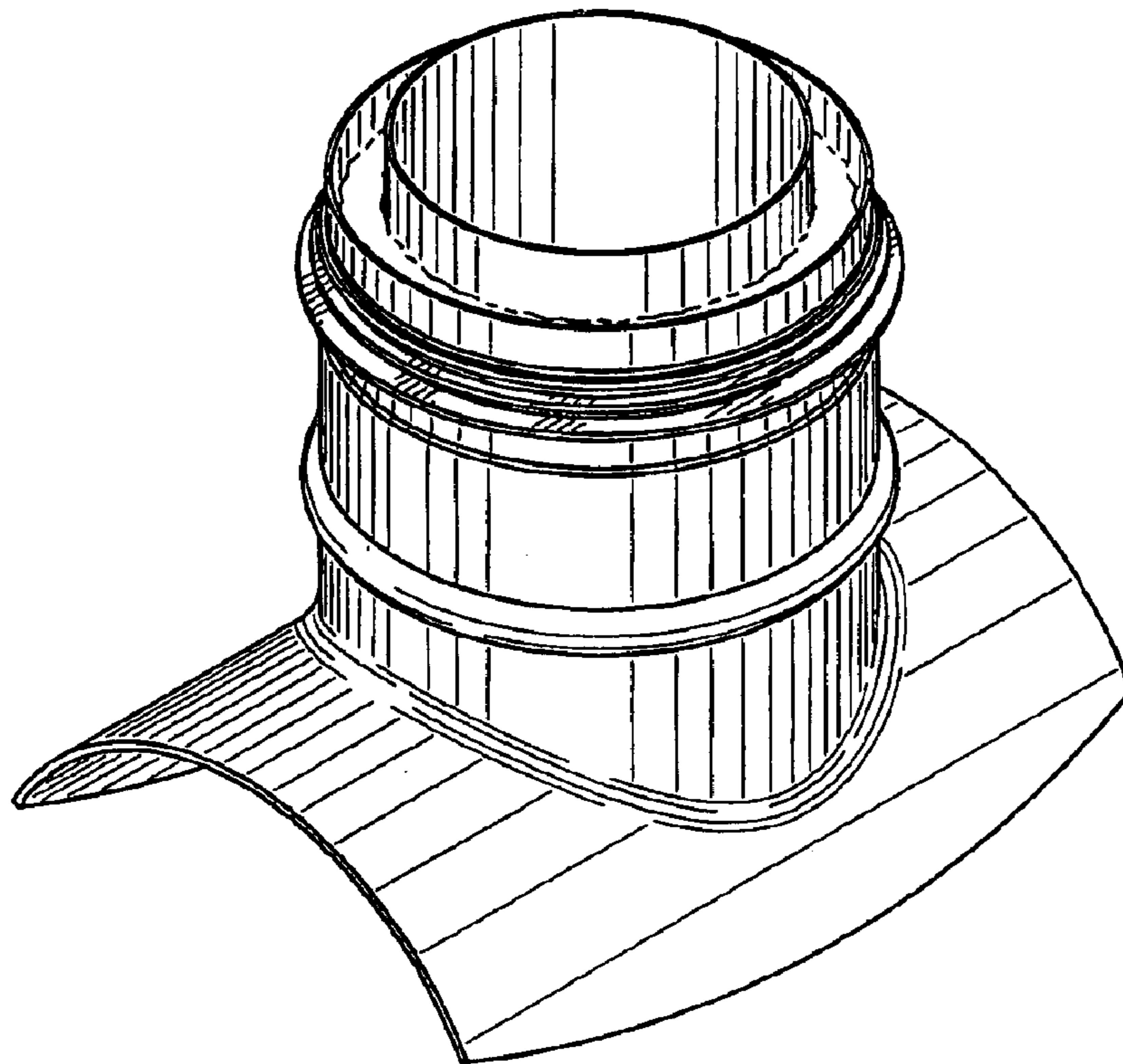


FIG. 8