

US00D501547S

(12) **United States Design Patent**
Stout, Jr.

(10) **Patent No.: US D501,547 S**
(45) **Date of Patent: ** Feb. 1, 2005**

(54) **DUCT WITH AN INDENTED END**

(75) Inventor: **William K. Stout, Jr.**, Mason, OH (US)
(73) Assignee: **Eastern Sheet Metal LLC**, Cincinnati, OH (US)
(**) Term: **14 Years**

(21) Appl. No.: **29/138,829**

(22) Filed: **Mar. 20, 2001**

(51) **LOC (7) Cl.** **23-04**

(52) **U.S. Cl.** **D23/393**

(58) **Field of Search** D23/259, 262, D23/263, 266, 386, 387, 391, 393, 394; 138/111-117, DIG. 4, DIG. 11, 177; 285/47, 123.15, 123.16, 110, 374, 347, 232-234, 123.1, 123.3-123.7, 123.9, 122.1, 125.1, 129.1, 129.2, 131.1, 132.1, 133.11, 133.3, 133.6, 136.1, 139.1, 139.2, 139.3, 141.1, 142.1, 143.1, 148.22, 148.23, 148.24, 148.25, 189, 197-200, 332, 332.1, 334.1, 334.5, 405, 424; 454/228-236, 243, 270, 903, 906; 126/307 R, 312, 307 A, 314-317

(56) **References Cited**

U.S. PATENT DOCUMENTS

299,175 A * 5/1884 Sheets 454/32
D25,709 S 6/1896 Pratt
1,565,918 A 12/1925 Fitzgerald
1,570,974 A 1/1926 Stevens
1,771,176 A * 7/1930 Holub 285/148.22
2,314,386 A 3/1943 Brend

(List continued on next page.)

FOREIGN PATENT DOCUMENTS

DE 2840962 4/1979
DK 150025 B 11/1986
EP 092881 A2 11/1983
EP 0273221 B1 7/1988
EP 0389462 A1 9/1990

(List continued on next page.)

OTHER PUBLICATIONS

Hallstroms Verkstader 2 page advertisement and an English translation of portions thereof. Mar. 21, 2000.
Duct and Fittings Product Brochure, Lindab Ltd, Northampton, Great Britain (undated), front and back covers and pp. 3-52.

(List continued on next page.)

Primary Examiner—Stella Reid

Assistant Examiner—C. Tuttle

(74) *Attorney, Agent, or Firm*—Dinsmore & Shohl LLP

(57) **CLAIM**

The ornamental design for a duct with an indented end, as shown and described.

DESCRIPTION

FIG. 1 is a front elevational view of a first embodiment of a duct with an indented end; the right, left and rear elevational views being identical to FIG. 1;

FIG. 2 is a top view of the duct of FIG. 1;

FIG. 3 is a front right perspective view of the duct of FIG. 1; the front left perspective view being a mirror image of FIG. 3;

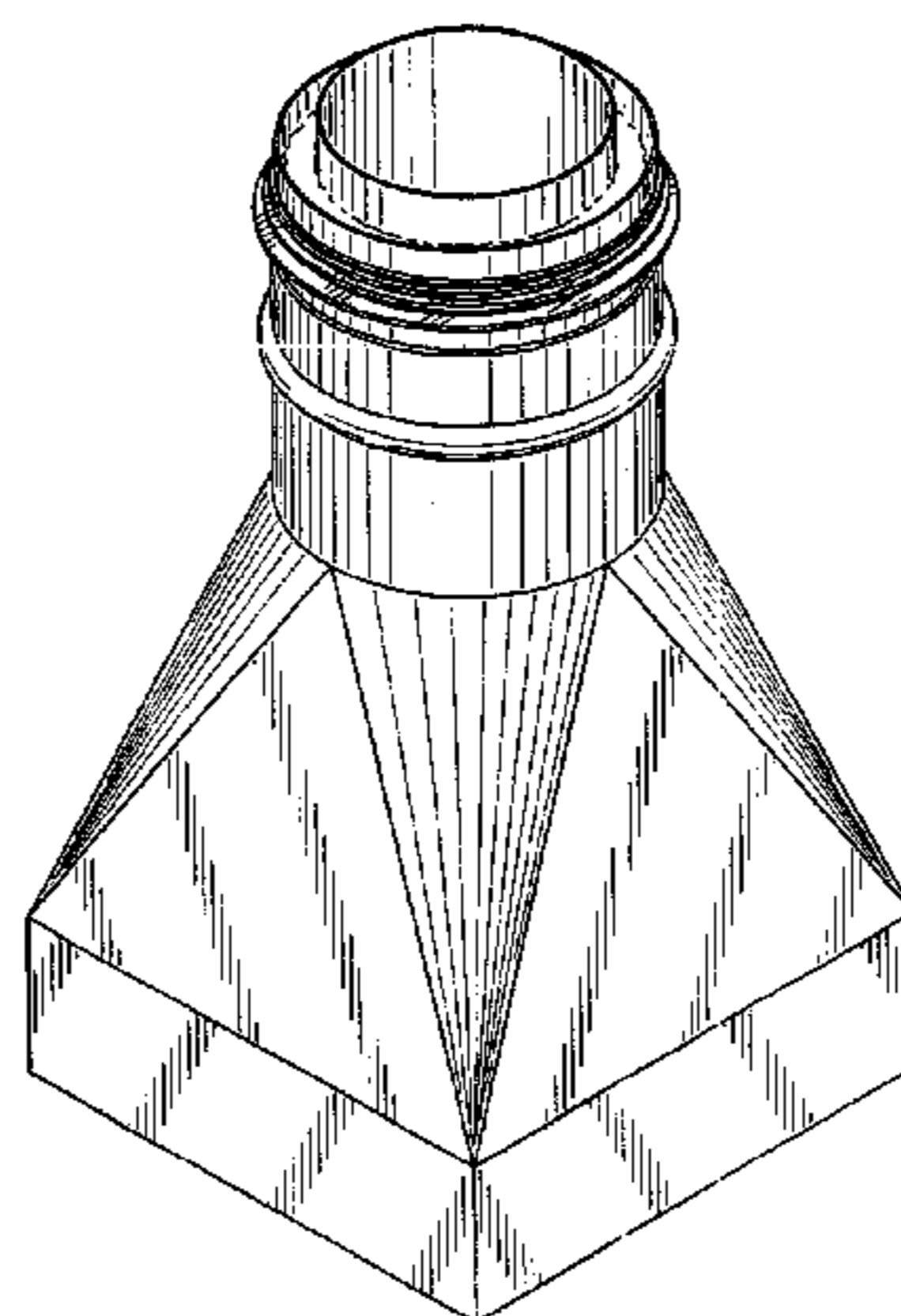
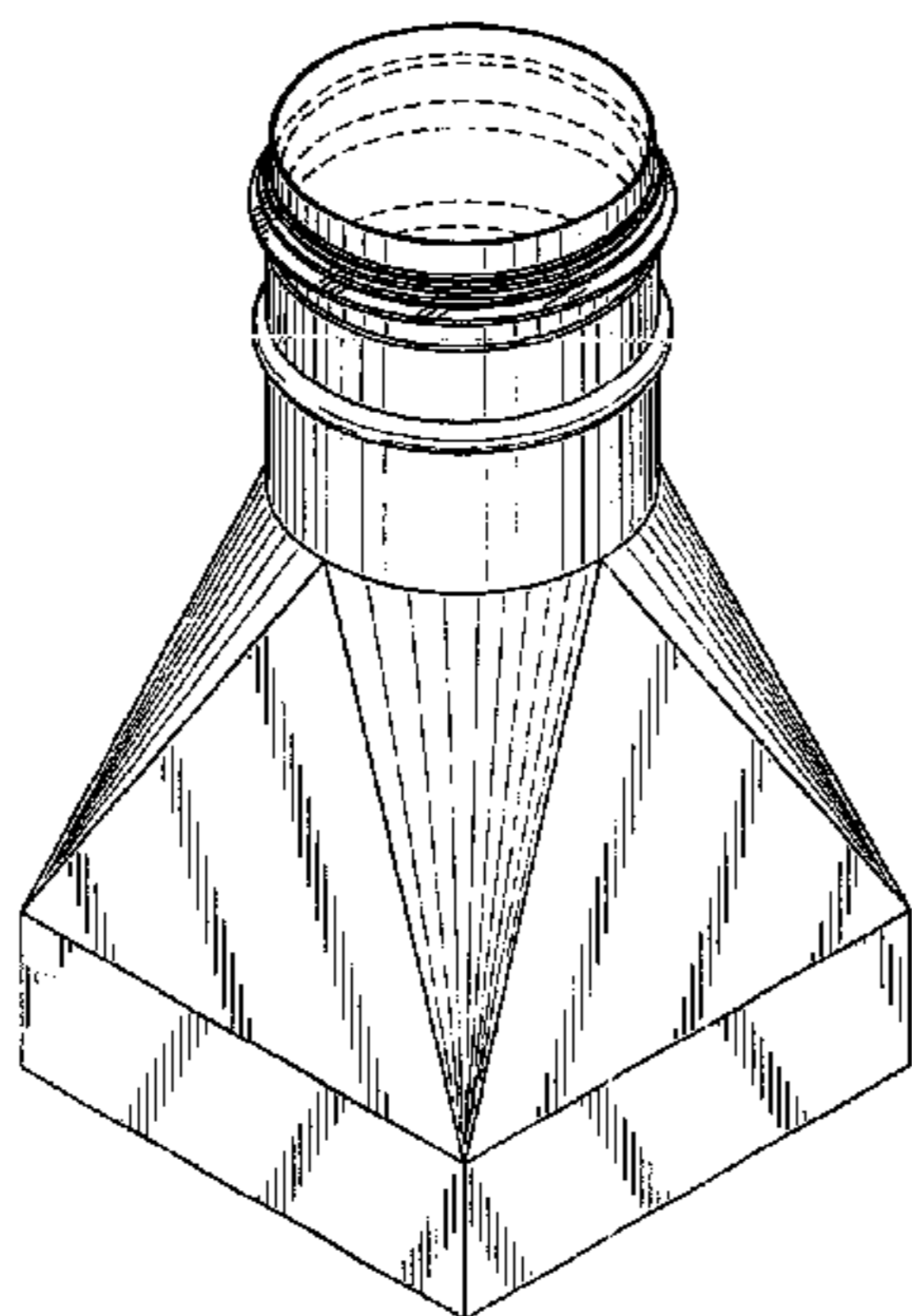
FIG. 4 is a front elevational view of a second embodiment of a duct with an indented end; the right, left and rear elevational views being identical to FIG. 4;

FIG. 5 is a top view of the duct of FIG. 4; and,

FIG. 6 is a front right perspective view of the duct of FIG. 4; the front left perspective view being a mirror image of FIG. 6.

The broken lines shown in FIGS. 2, 3, 5 and 6 are for illustrative purposes only and form no part of the claimed design.

1 Claim, 6 Drawing Sheets



US D501,547 S

Page 2

U.S. PATENT DOCUMENTS

2,544,108	A	3/1951	Richardson	
2,616,728	A	* 11/1952	Pitt	285/47
2,930,635	A	3/1960	Woodling	
2,963,783	A	* 12/1960	Field	285/183 X
2,976,797	A	* 3/1961	Newbill	454/36
3,015,510	A	1/1962	Bates	
3,871,145	A	* 3/1975	Hatmaker	52/60
D234,847	S	4/1975	Hoffman	
3,955,834	A	5/1976	Ahlrot	
4,007,941	A	2/1977	Stancati	
4,009,894	A	* 3/1977	Marquette et al.	285/183
4,050,703	A	9/1977	Turesson et al.	
4,193,246	A	3/1980	Schiefer et al.	
4,216,981	A	8/1980	Jensen	
4,369,159	A	1/1983	Irmer	
D273,702	S	5/1984	Widerby et al.	
4,664,421	A	5/1987	Jones	
5,160,811	A	* 11/1992	Ritzmann	285/148.23 X
5,390,961	A	* 2/1995	Guthrie	285/41
5,405,174	A	4/1995	Sondén et al.	
5,407,122	A	4/1995	Stefansson et al.	
D360,018	S	7/1995	Sondén et al.	
D360,019	S	7/1995	Sondén et al.	
D360,020	S	7/1995	Sondén et al.	
D360,021	S	7/1995	Sondén et al.	
D361,829	S	8/1995	Sondén et al.	
D362,299	S	9/1995	Sondén et al.	
D362,300	S	9/1995	Sondén et al.	
5,452,922	A	* 9/1995	Ziu	285/123.1
D363,115	S	10/1995	Lennartsson	
5,473,815	A	12/1995	Sonden et al.	
D367,316	S	2/1996	Sondén et al.	
D368,304	S	3/1996	Morrison	
5,531,460	A	7/1996	Stefansson et al.	
D377,829	S	2/1997	Andresen	
5,599,600	A	2/1997	Rau	
5,649,662	A	7/1997	Krichau et al.	
D383,053	S	9/1997	Schrader et al.	
D383,195	S	9/1997	Sondén et al.	
D383,196	S	9/1997	Sondén et al.	
D386,246	S	11/1997	Sondén et al.	
D402,354	S	12/1998	Strong et al.	
D407,802	S	4/1999	Hatfield et al.	
D427,667	S	7/2000	Stout, Jr.	
D427,668	S	7/2000	Stout, Jr.	
D427,673	S	7/2000	Stout, Jr.	
D430,482	S	9/2000	Stout, Jr.	
D435,090	S	12/2000	Stout, Jr.	
D437,034	S	1/2001	Stout, Jr.	
6,170,883	B1	1/2001	Mattsson et al.	
D447,223	S	8/2001	Mattsson et al.	
D454,949	S	3/2002	Mattsson et al.	
D456,071	S	4/2002	Mattsson et al.	

D456,072	S	4/2002	Mattsson et al.
D461,887	S	8/2002	Mattsson et al.
6,431,609	B1	8/2002	Andersson

FOREIGN PATENT DOCUMENTS

EP	0758066	B1	2/1997
FR	2015241		4/1970
GB	1587018		3/1981
IT	1285018		3/1998
NO	174861		4/1994
SE	13987		1/1974
SE	17788		4/1976
SE	19819		4/1977
SE	25473		4/1980
SE	25610		4/1980
SE	26059		7/1980
SE	26995		12/1980
WO	WO9415133		7/1994

OTHER PUBLICATIONS

U.S. Appl. No. 29/138,761.
 U.S. Appl. No. 29/138,838.
 U.S. Appl. No. 29/138,820.
 U.S. Appl. No. 29/138,847.
 U.S. Appl. No. 29/138,785.
 U.S. Appl. No. 29/138,839.
 U.S. Appl. No. 29/138,830.
 U.S. Appl. No. 29/138,819.
 U.S. Appl. No. 29/138,818.
 U.S. Appl. No. 29/138,782.
 U.S. Appl. No. 29/138,790.
 U.S. Appl. No. 29/138,783.
 U.S. Appl. No. 29/138,786.
 U.S. Appl. No. 29/138,771.
 U.S. Appl. No. 29/138,760.
 U.S. Appl. No. 29/138,836.
 U.S. Appl. No. 29/138,764.
 U.S. Appl. No. 29/138,668.
 U.S. Appl. No. 29/138,772.
 U.S. Appl. No. 29/138,784.
 U.S. Appl. No. 29/138,781.
 U.S. Appl. No. 29/138,842.
 U.S. Appl. No. 29/138,837.
 U.S. Appl. No. 29/138,763.
 U.S. Appl. No. 29/138,762.
 "Sistema Di Tenuta Ring", Issued by Climovent System, an Italian Company; pp. 1-6 (Undated).
 "Veloduct" catalog 1997, ABB Ventilation Products AB, Division Veloduct.

* cited by examiner

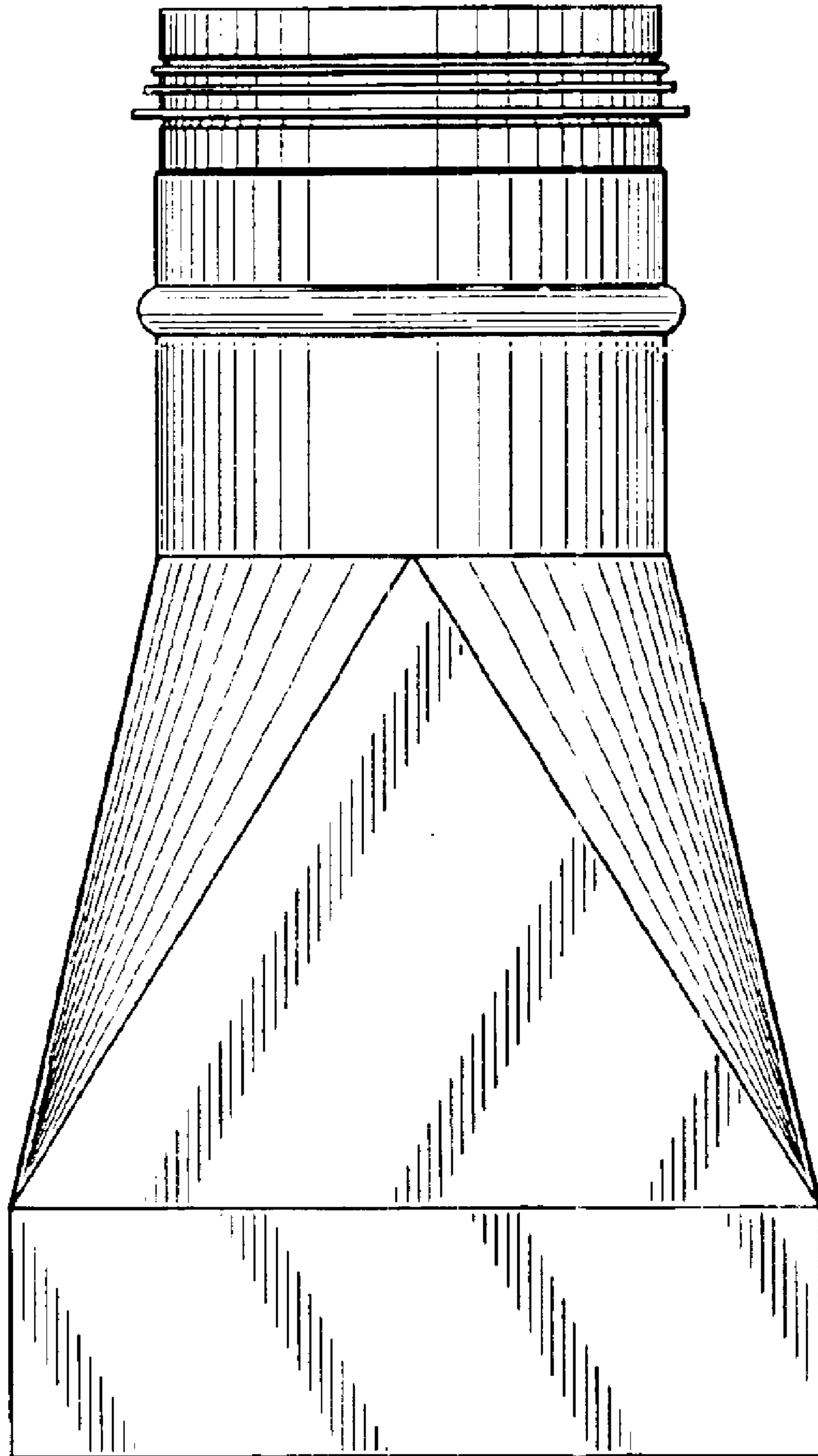


FIG. 1

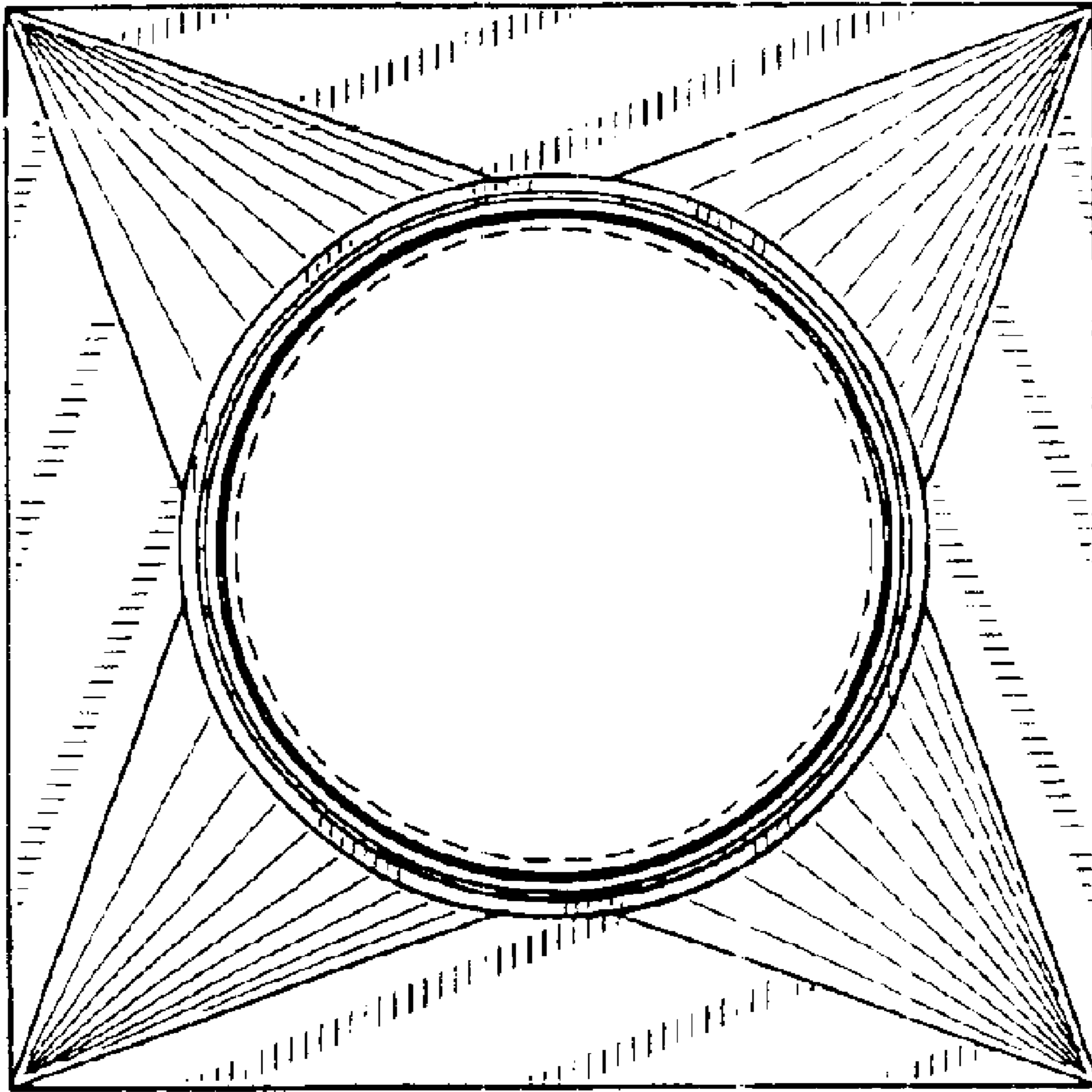


FIG. 2

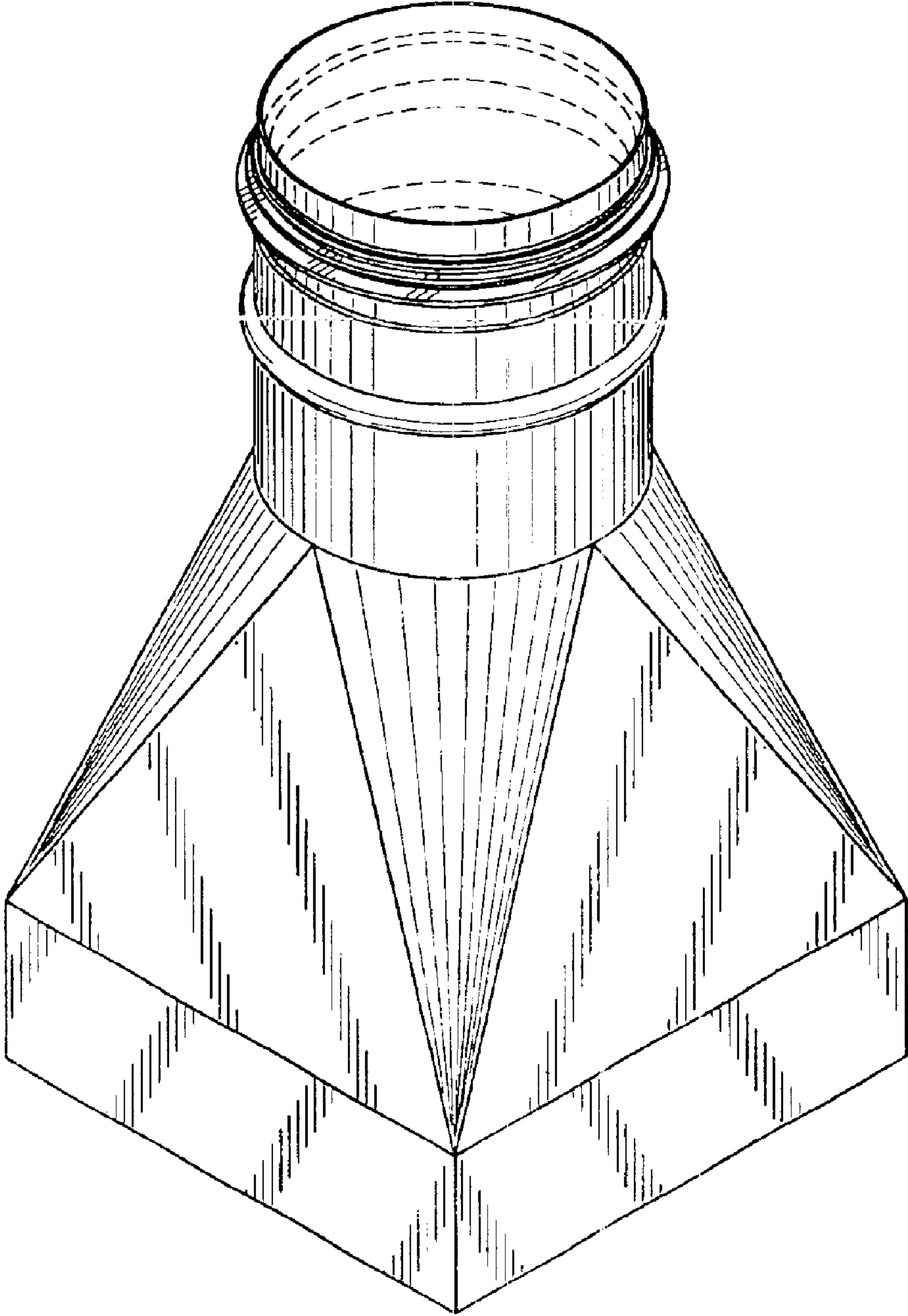


FIG. 3

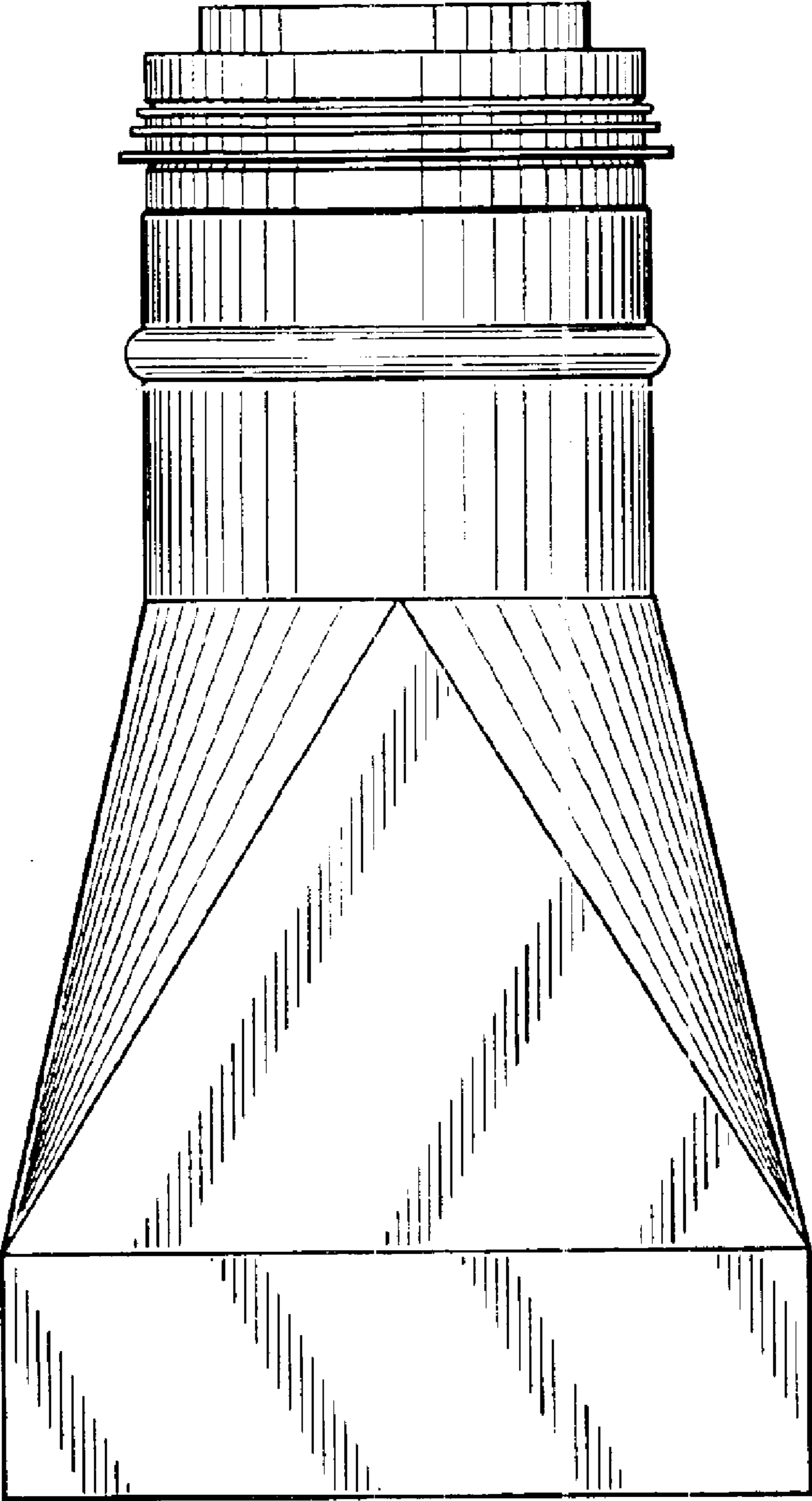


FIG. 4

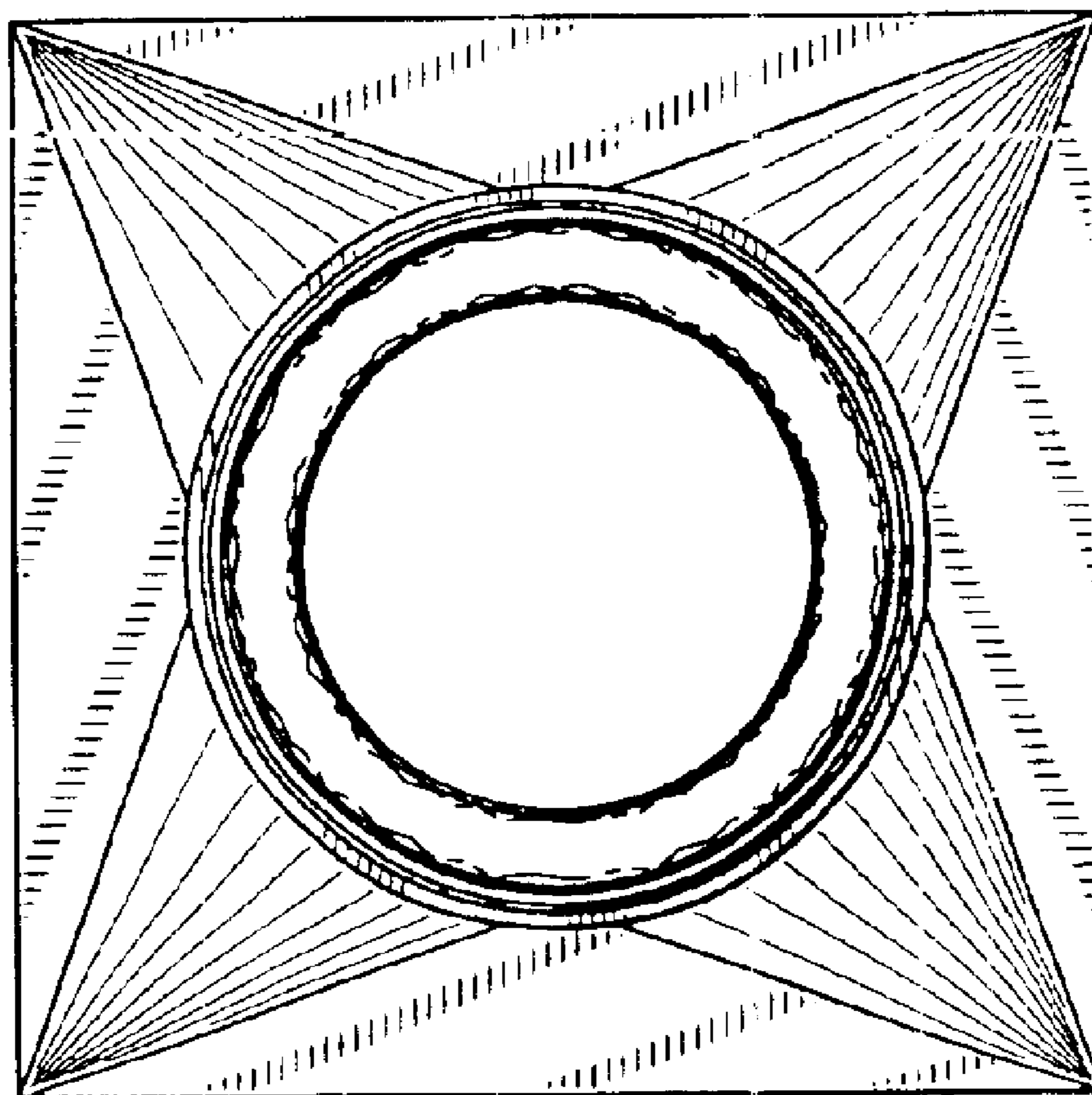


FIG. 5

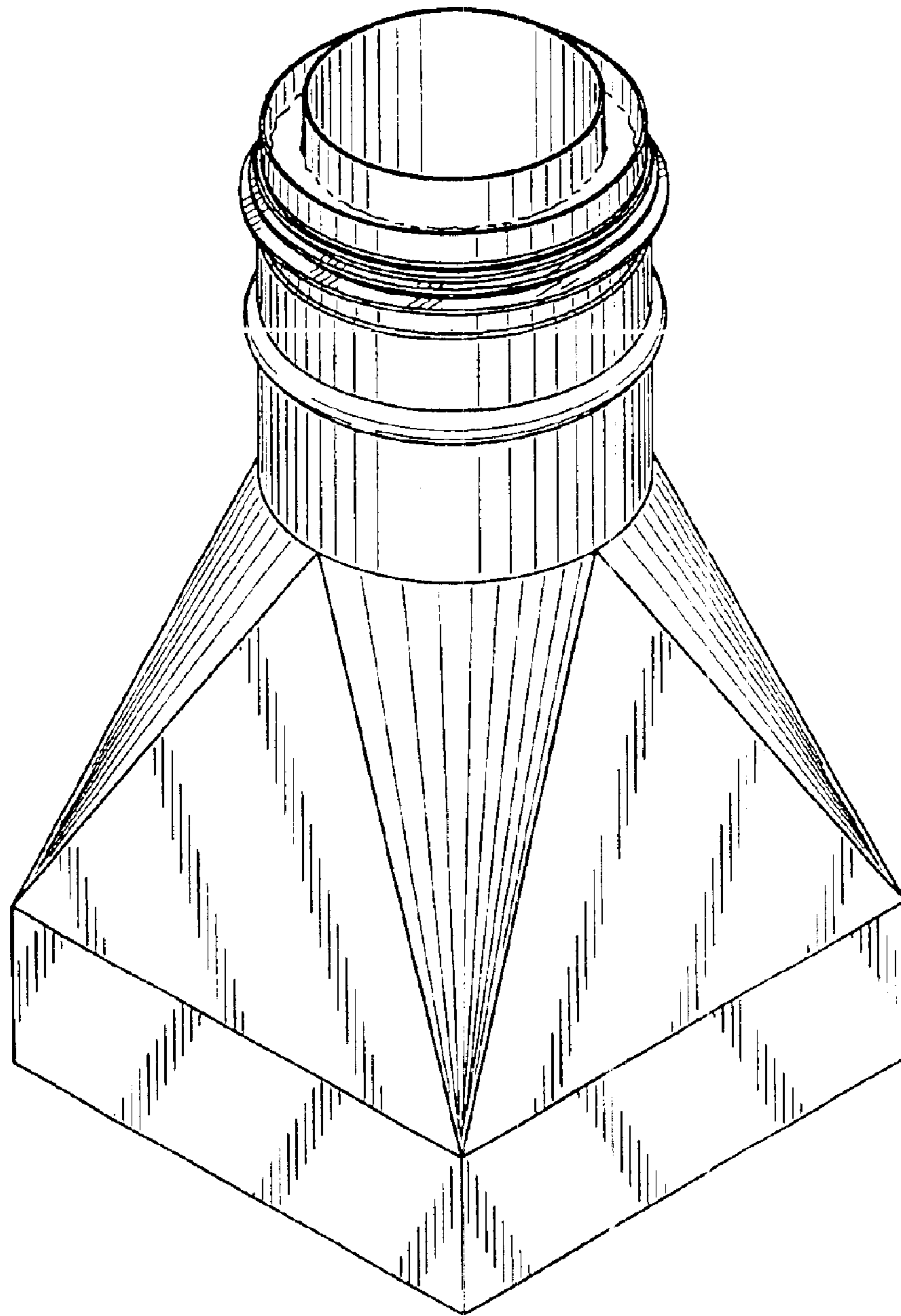


FIG. 6