

US00D501545S

(12) **United States Design Patent**  
**Wirthman et al.**

(10) **Patent No.:** **US D501,545 S**  
(45) **Date of Patent:** **\*\* Feb. 1, 2005**

(54) **ELECTRIC AIR FRESHENER COVER**

(75) Inventors: **Julie Wirthman**, Gahanna, OH (US);  
**Ron Longsdorf**, Columbus, OH (US);  
**Theresa Stahura**, Columbus, OH (US)

(73) Assignee: **Bath & Body Works, Inc.**,  
Reynoldsburg, OH (US)

(\*\*) Term: **14 Years**

(21) Appl. No.: **29/168,859**

(22) Filed: **Oct. 10, 2002**

(51) **LOC (7) Cl.** ..... **28-99**

(52) **U.S. Cl.** ..... **D23/366**

(58) **Field of Search** ..... D23/366-69; 239/211,  
239/34-60; 422/120, 122-4; 261/DIG. 65

(56) **References Cited**

**U.S. PATENT DOCUMENTS**

D346,207 S \* 4/1994 Martin  
D365,390 S \* 12/1995 King

D365,391 S \* 12/1995 King  
D380,821 S \* 7/1997 Chen  
5,725,152 A \* 3/1998 Akyu  
D422,350 S \* 4/2000 Wu  
D447,550 S \* 9/2001 Basaganas  
D449,101 S \* 10/2001 Wolpert et al.

\* cited by examiner

*Primary Examiner*—M. H. Tung

(74) *Attorney, Agent, or Firm*—Ward & Olivo

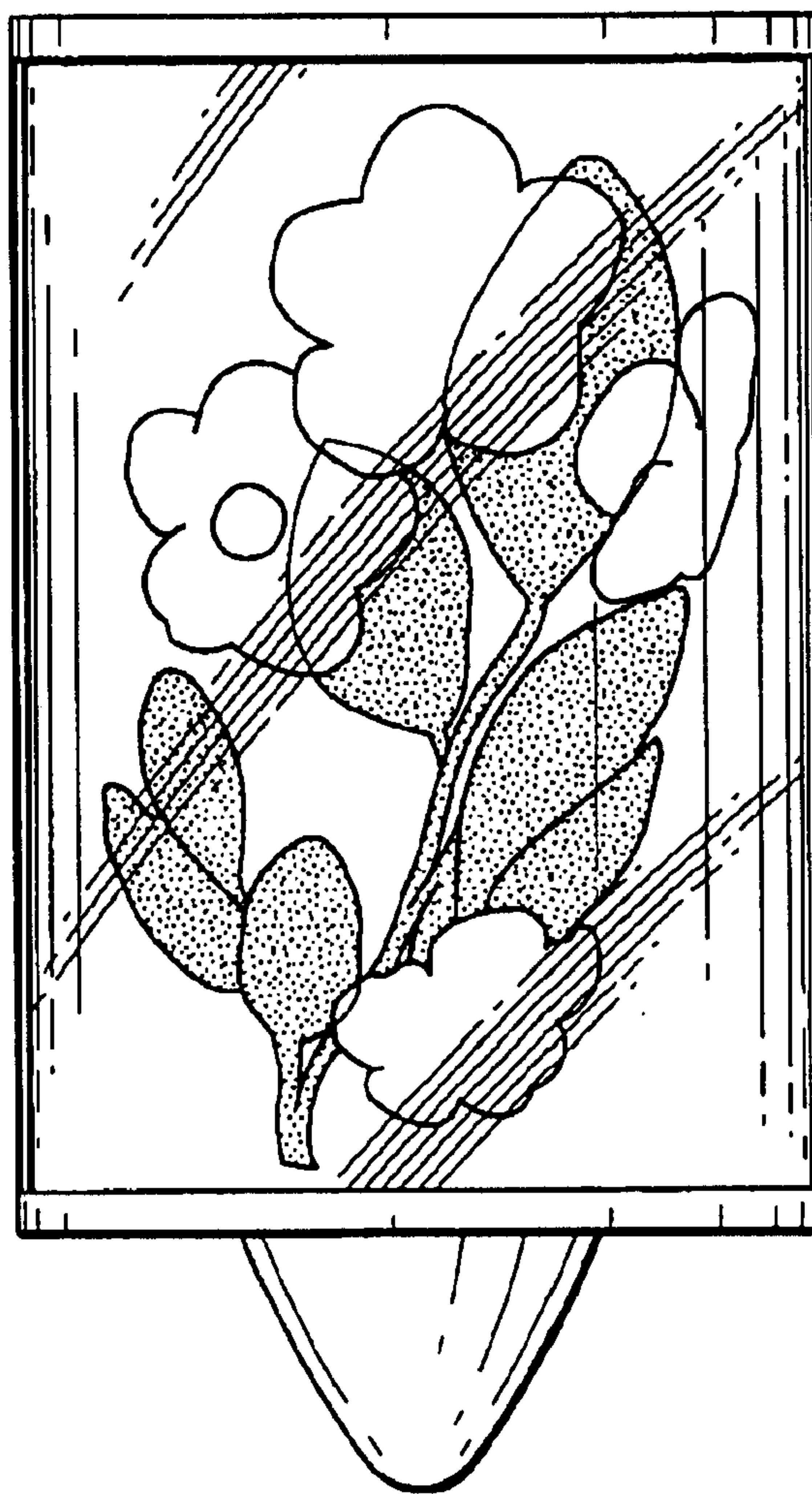
(57) **CLAIM**

The ornamental design for an electric air freshener cover, as shown and described.

**DESCRIPTION**

FIG. 1 is a front elevation view of an electric air freshener cover showing our new design; FIG. 2 is a right side elevation view thereof; FIG. 3 is a rear elevation view thereof; and, FIG. 4 is a top plan view thereof.

**1 Claim, 4 Drawing Sheets**



**FIG. 1**

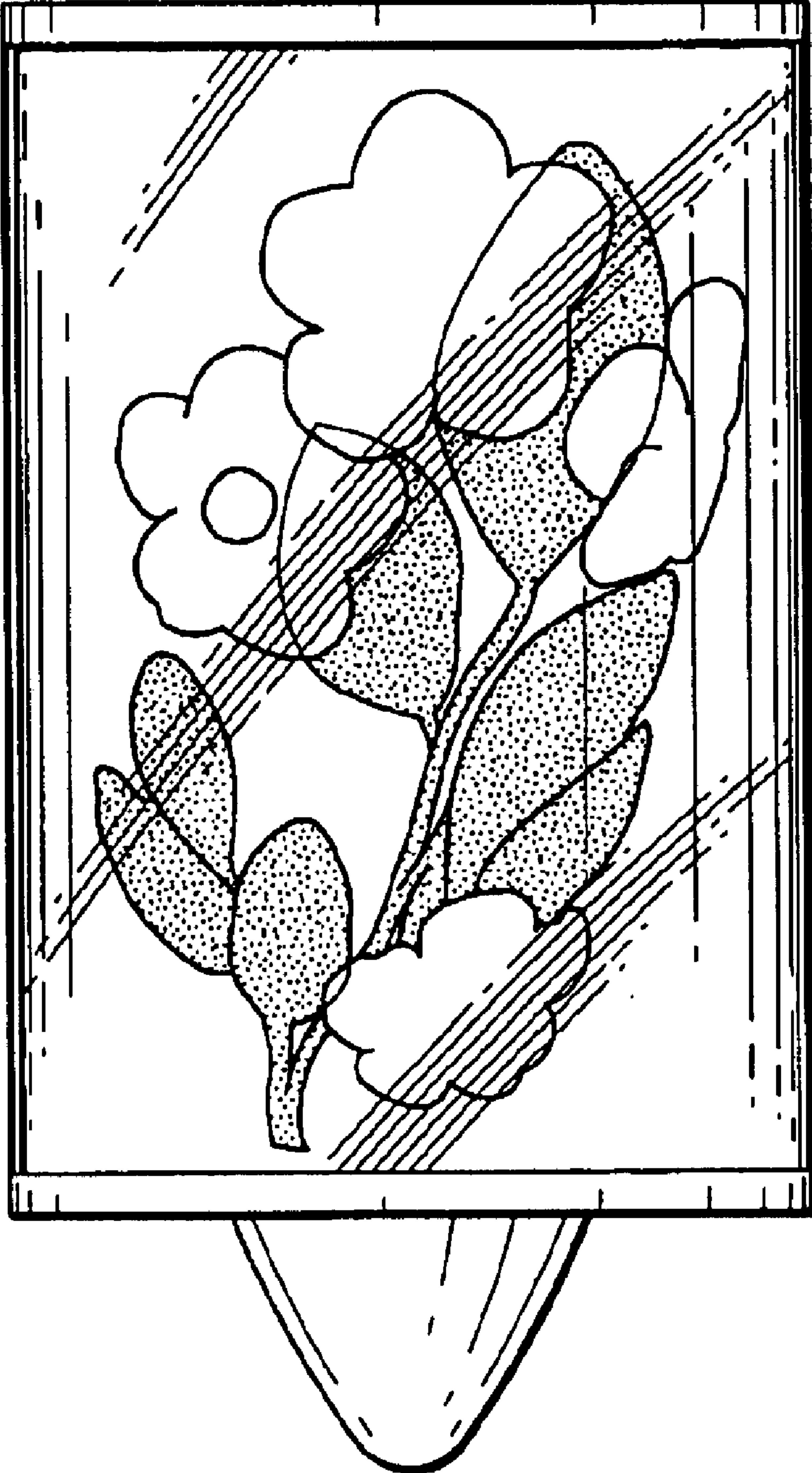
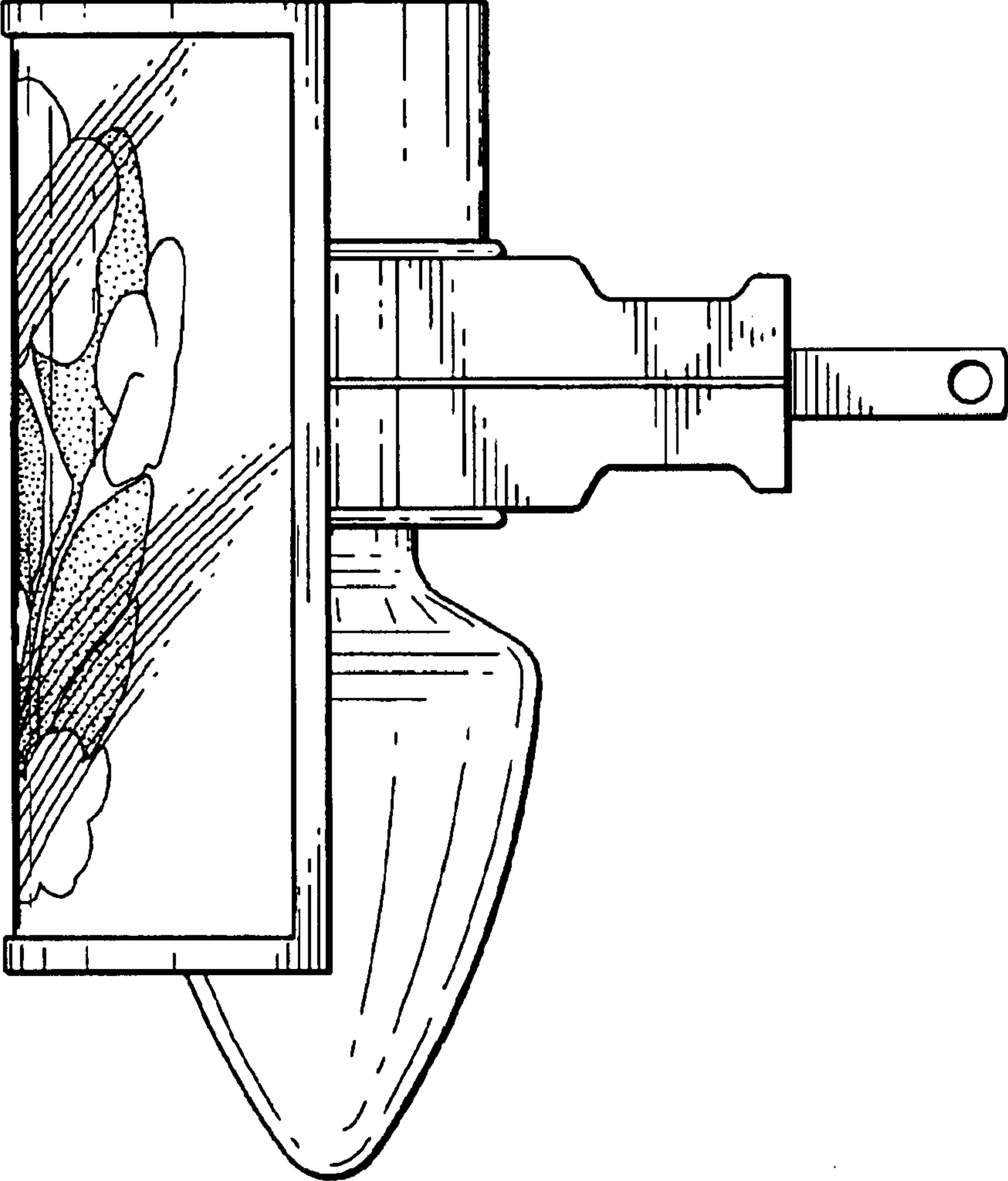
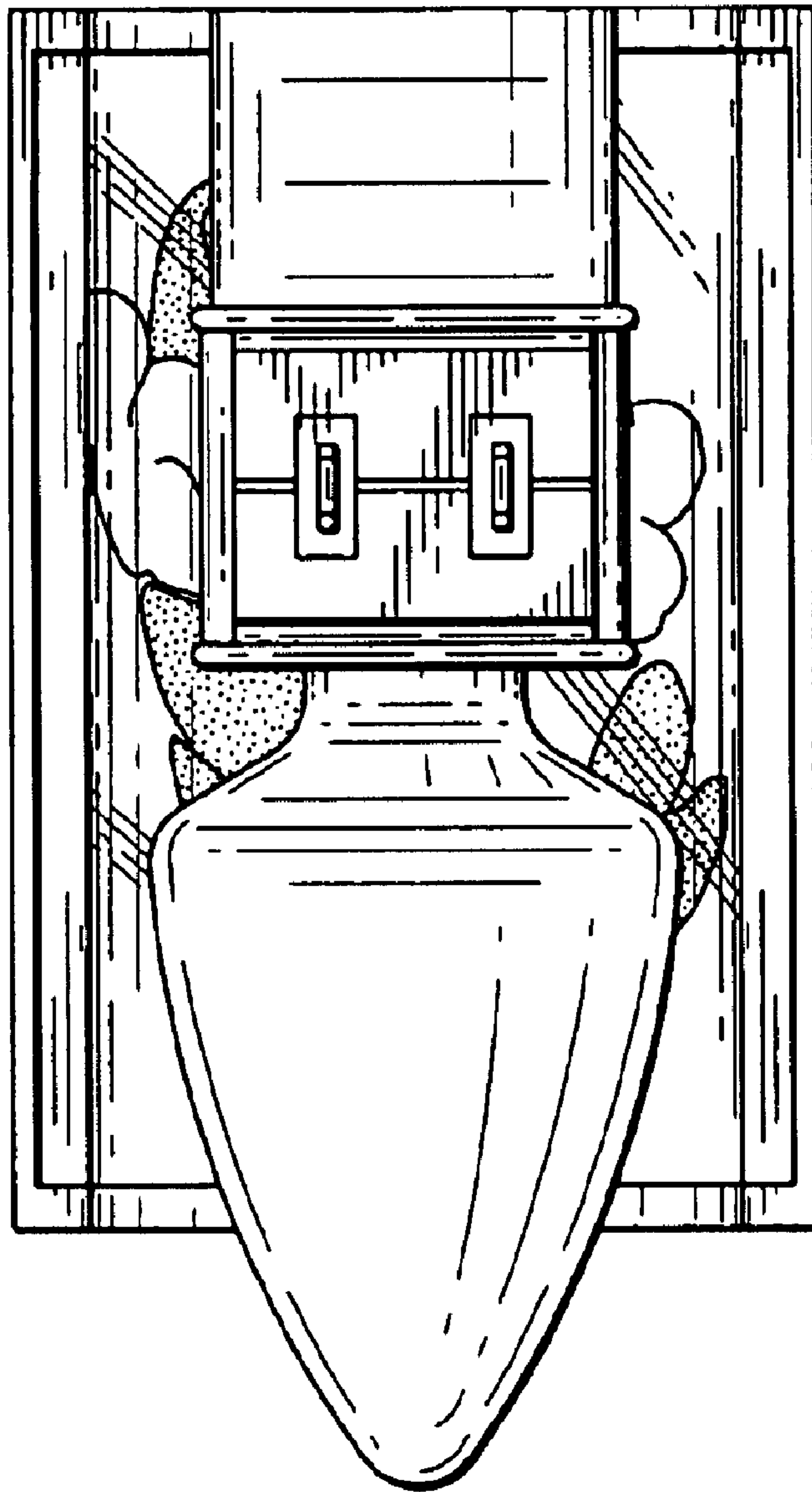


FIG. 2



*FIG. 3*



*FIG. 4*

