

US00D501544S

(12) **United States Design Patent** (10) **Patent No.:** **US D501,544 S**
Smith et al. (45) **Date of Patent:** **** Feb. 1, 2005**

(54) **DOOR PANEL FOR A RESIDENTIAL GAS FURNACE**

(75) Inventors: **Mickey S. Smith**, Norman, OK (US); **Daniel James Arnold**, Wichita, KS (US); **Thomas Dale Chase**, Derby, KS (US); **Bryan Keith Rocky**, Wichita, KS (US); **Mark Allen Ritz**, Edmond, OK (US); **Doug James Widenmann**, Edmond, OK (US)

(73) Assignee: **York International Corporation**, York, PA (US)

(**) Term: **14 Years**

(21) Appl. No.: **29/199,277**

(22) Filed: **Feb. 12, 2004**

(51) **LOC (7) Cl.** **23-03**

(52) **U.S. Cl.** **D23/329**

(58) **Field of Search** D23/318, 320, D23/314, 322, 329; 126/67, 77, 190; 110/108, 116, 173 R, 173 C

D350,189 S	*	8/1994	Blevins, Jr.	D23/329
5,377,662 A		1/1995	Mills et al.	
D357,063 S	*	4/1995	Blevins, Jr.	D23/329
D357,732 S		4/1995	Spechts et al.	
D359,344 S		6/1995	De'Longhi	
5,429,113 A		7/1995	Fowler	
D374,927 S		10/1996	Chabot	
D385,023 S		10/1997	Newman et al.	
D402,741 S		12/1998	Chen	
D409,739 S		5/1999	Hood et al.	
D427,302 S		6/2000	Mills et al.	
6,321,034 B2		11/2001	Jones-Lawlor et al.	
6,389,994 B1		5/2002	Chase et al.	
6,428,592 B1		8/2002	Chase et al.	
6,494,199 B1		12/2002	Zia et al.	
D469,172 S		1/2003	Warren et al.	
D483,844 S	*	12/2003	Yamamoto et al.	D23/320

FOREIGN PATENT DOCUMENTS

AU	0183612 A5	5/2002
CA	2358303	4/2002

* cited by examiner

Primary Examiner—Brian N Vinson

(74) *Attorney, Agent, or Firm*—McNees Wallace & Nurick LLC

(56) **References Cited**

U.S. PATENT DOCUMENTS

2,160,264 A	5/1939	Furlong	
2,243,916 A	6/1941	Mueller	
D148,786 S	*	2/1948	Green D23/329
D159,487 S	*	8/1950	Jaye D23/329
D186,006 S	*	8/1959	Fiedler D23/329
2,948,276 A	*	8/1960	Harding 126/67
D203,908 S		2/1966	Green
D204,219 S		3/1966	Bourner
D211,173 S	*	5/1968	Duchinsky D23/329
D211,790 S		7/1968	Murray
D230,981 S	*	3/1974	Dupler D23/329
D285,830 S		9/1986	Daily et al.
D307,632 S		5/1990	Schulz
D325,254 S		4/1992	Ruuskanen
D345,203 S	*	3/1994	Blevins, Jr. D23/329

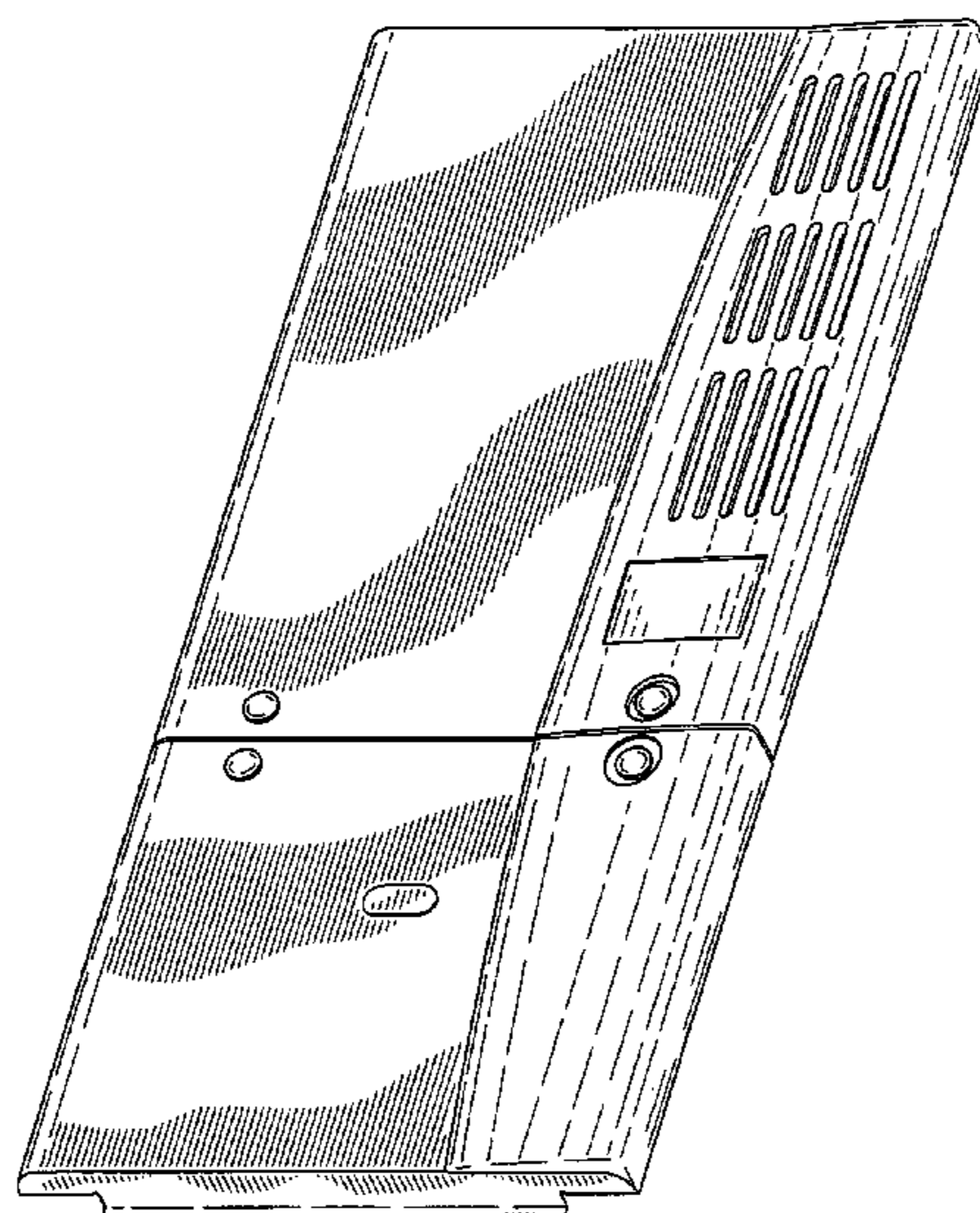
(57) **CLAIM**

The ornamental design for a door panel for a residential gas furnace, as shown.

DESCRIPTION

FIG. 1 is an isometric view of a door panel for a residential gas furnace showing our new design; FIG. 2 is a top view of the door panel of FIG. 1; FIG. 3 is a front view of the door panel of FIG. 1; FIG. 4 is a right side view of the door panel of FIG. 1; FIG. 5 is a rear view of the door panel of FIG. 1; FIG. 6 is a left side view of the door panel of FIG. 1; and, FIG. 7 is a bottom view of the door panel of FIG. 1.

1 Claim, 3 Drawing Sheets



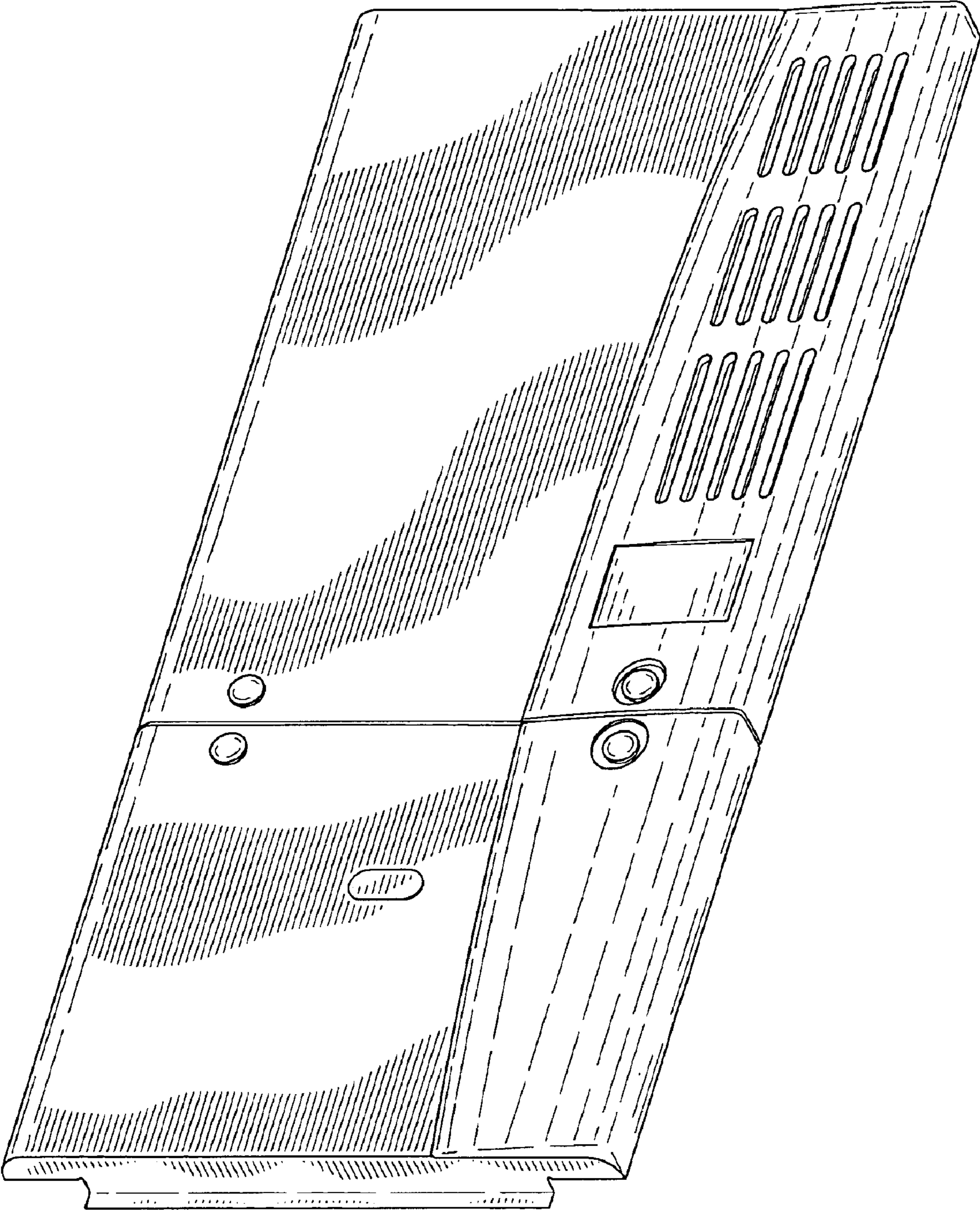


FIG-1

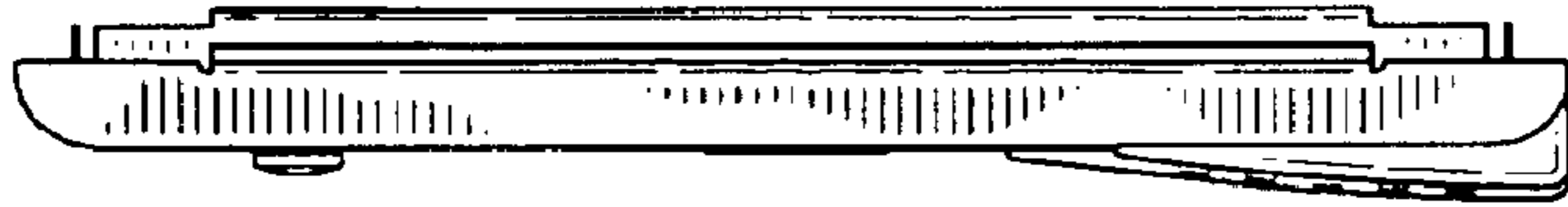


FIG-2

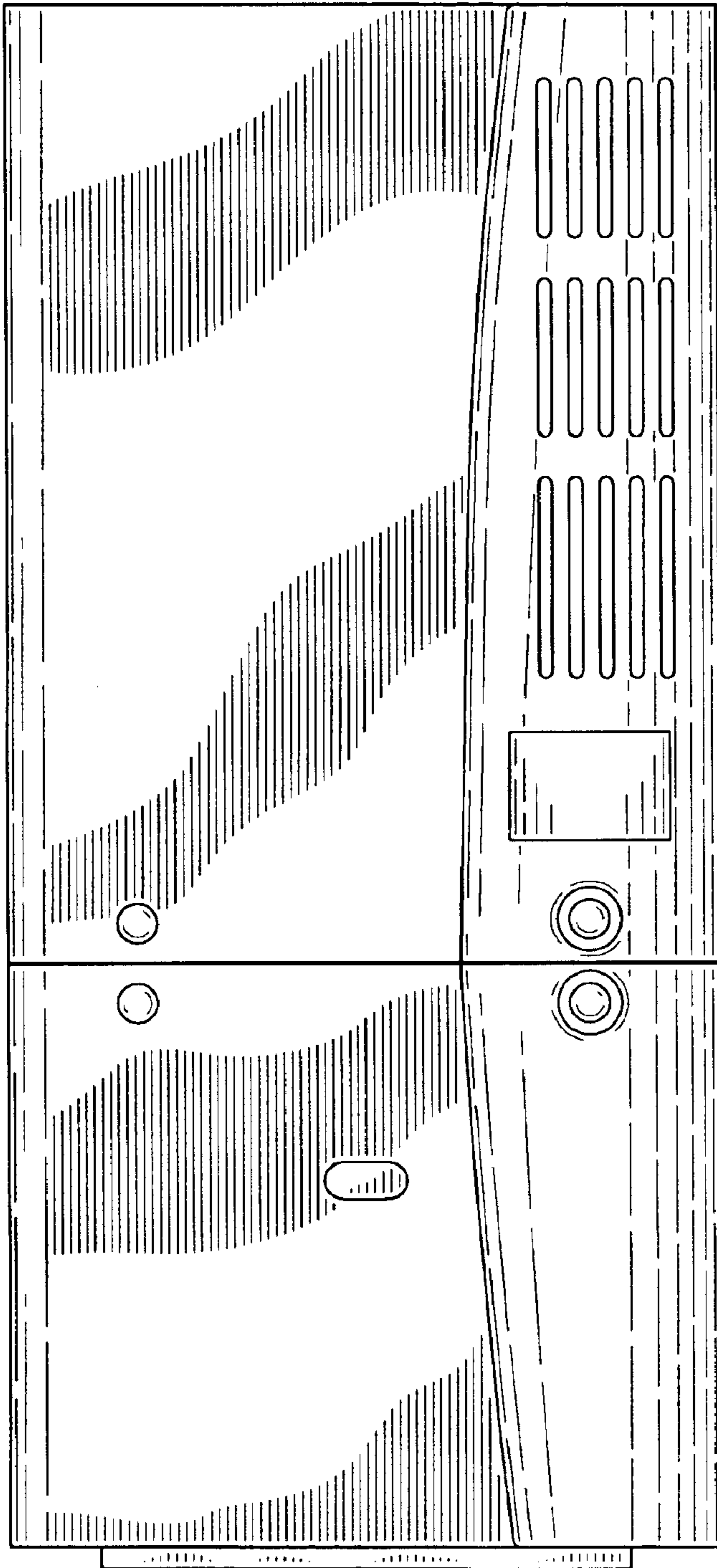


FIG-3



FIG-4

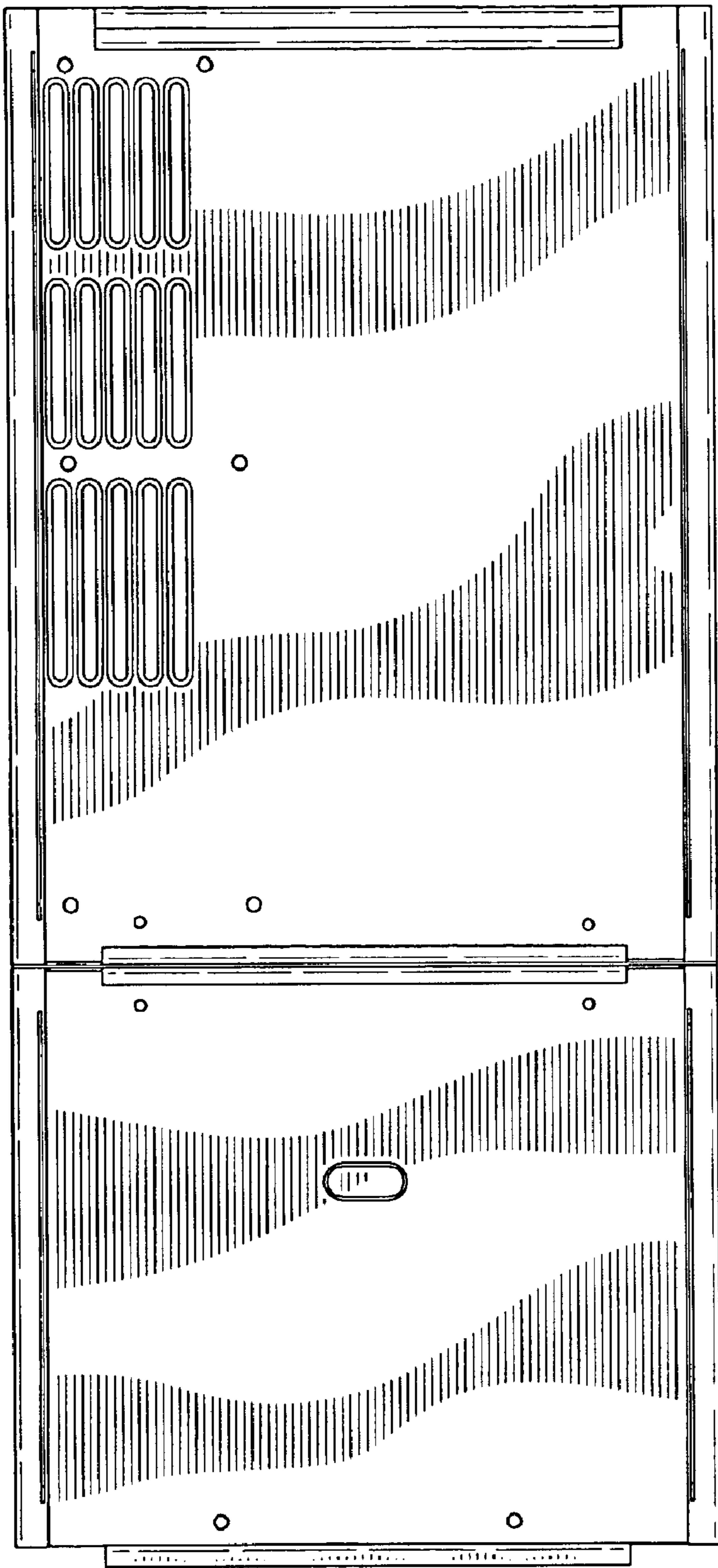


FIG-5



FIG-6



FIG-7