

US00D501543S

(12) **United States Design Patent**
Kakihana

(10) **Patent No.:** **US D501,543 S**

(45) **Date of Patent:** **** Feb. 1, 2005**

(54) **WATER CLOSET**

D460,812 S * 7/2002 Tani D23/301

(75) **Inventor:** **Hajime Kakihana**, Fukuoka (JP)

* cited by examiner

(73) **Assignee:** **Toto Ltd.**, Fukuoka (JP)

Primary Examiner—Robert A. Delehanty

(**) **Term:** **14 Years**

(74) *Attorney, Agent, or Firm*—Birch, Stewart, Kolasch & Birch, LLP

(21) **Appl. No.:** **29/189,353**

(57) **CLAIM**

(22) **Filed:** **Sep. 4, 2003**

The ornamental design for a water closet, as shown and described.

(30) **Foreign Application Priority Data**

Mar. 24, 2003 (JP) 2003-007761

DESCRIPTION

(51) **LOC (7) Cl.** **23-02**

FIG. 1 is a front perspective view of a water closet showing my new design;

(52) **U.S. Cl.** **D23/301**

FIG. 2 is a top plan view thereof;

(58) **Field of Search** D23/270–271,

FIG. 3 is a front elevational view thereof;

D23/273–274, 295, 299, 301, 303, 309;
4/663–664, 300, 329, 420, 449, DIG. 15

FIG. 4 is a rear elevational view thereof;

FIG. 5 is a right side elevational view thereof; and,

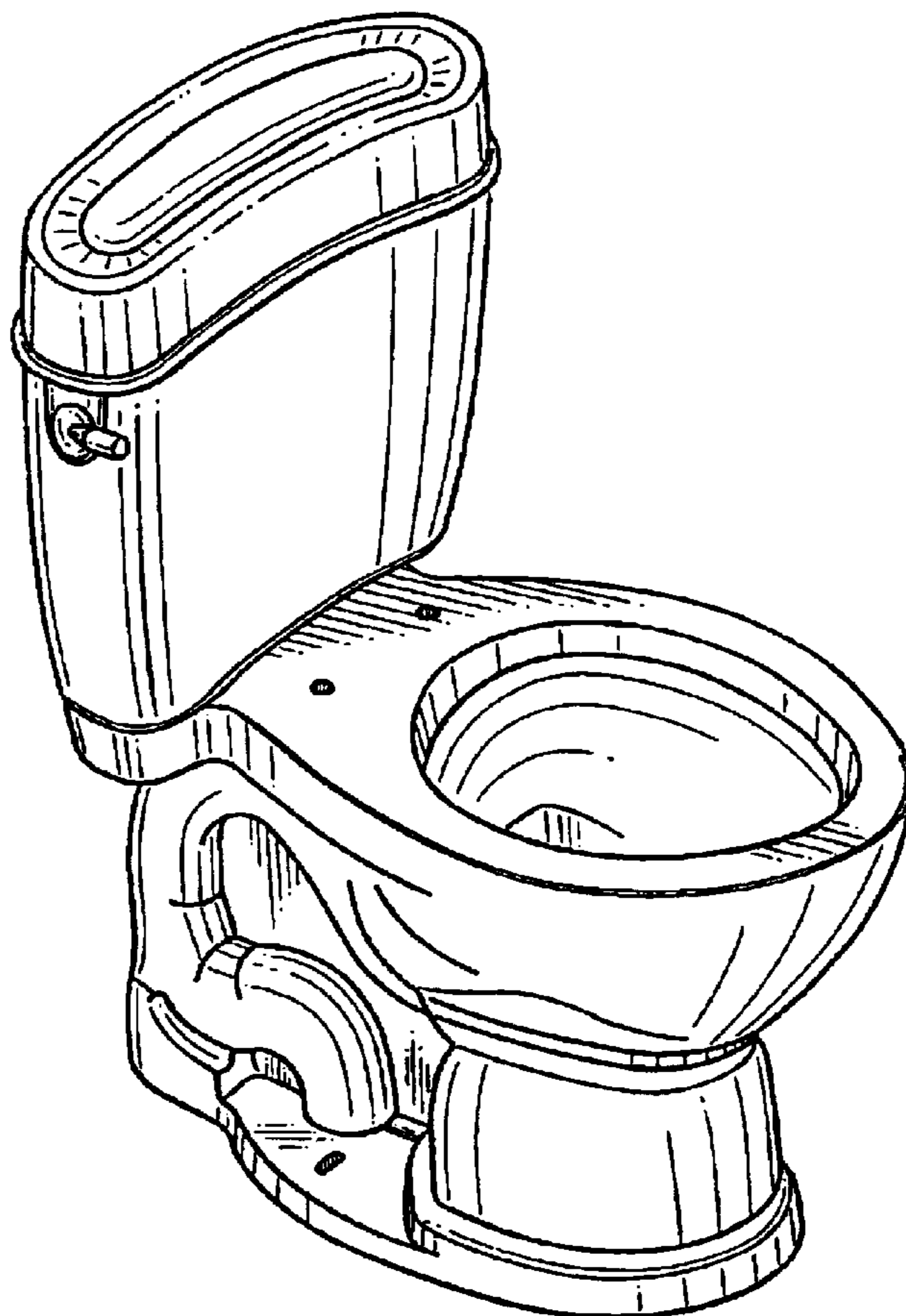
(56) **References Cited**

FIG. 6 is a left side elevational view thereof.

U.S. PATENT DOCUMENTS

D406,325 S * 3/1999 Nagato D23/301

1 Claim, 3 Drawing Sheets



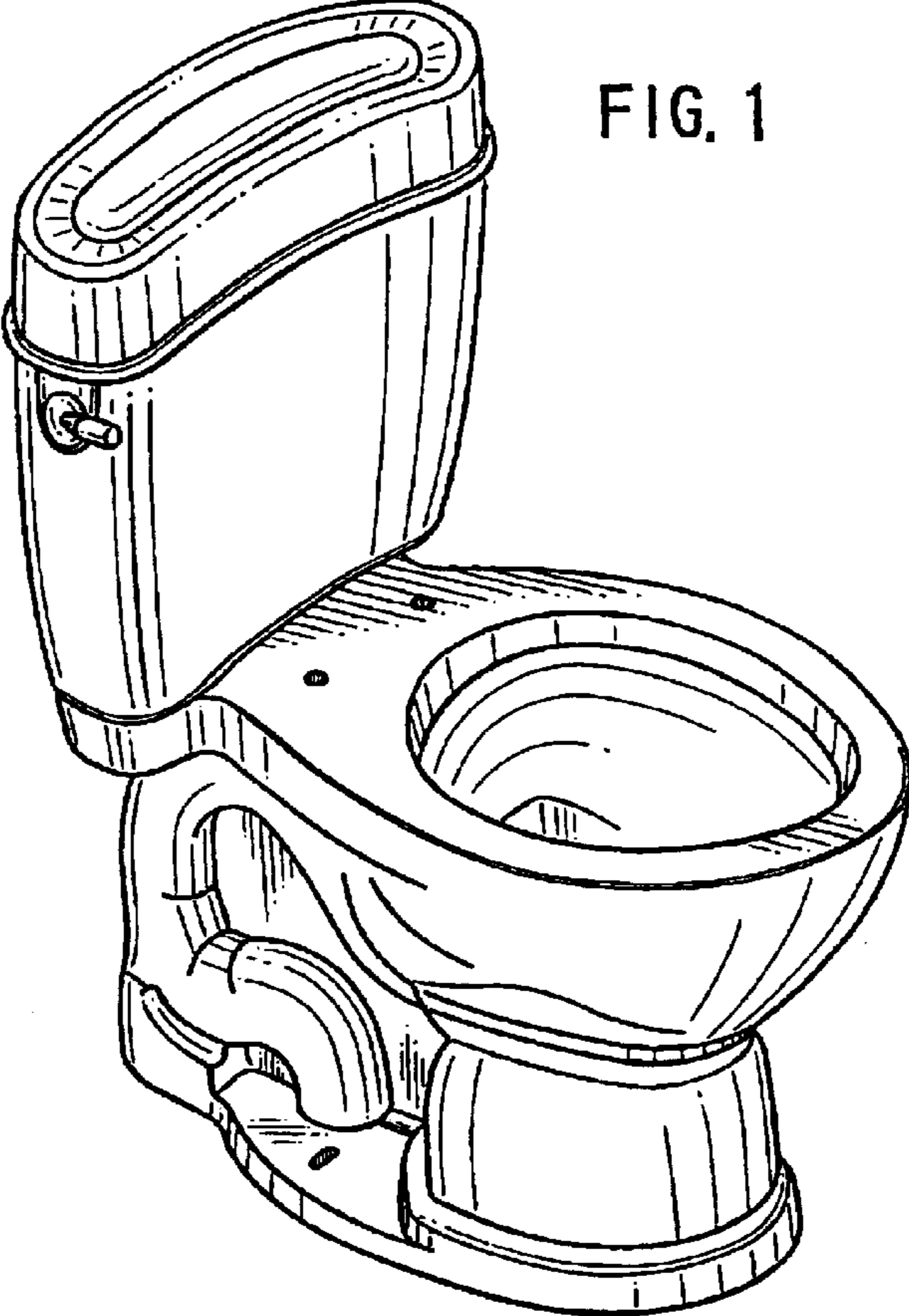


FIG. 1

FIG. 2

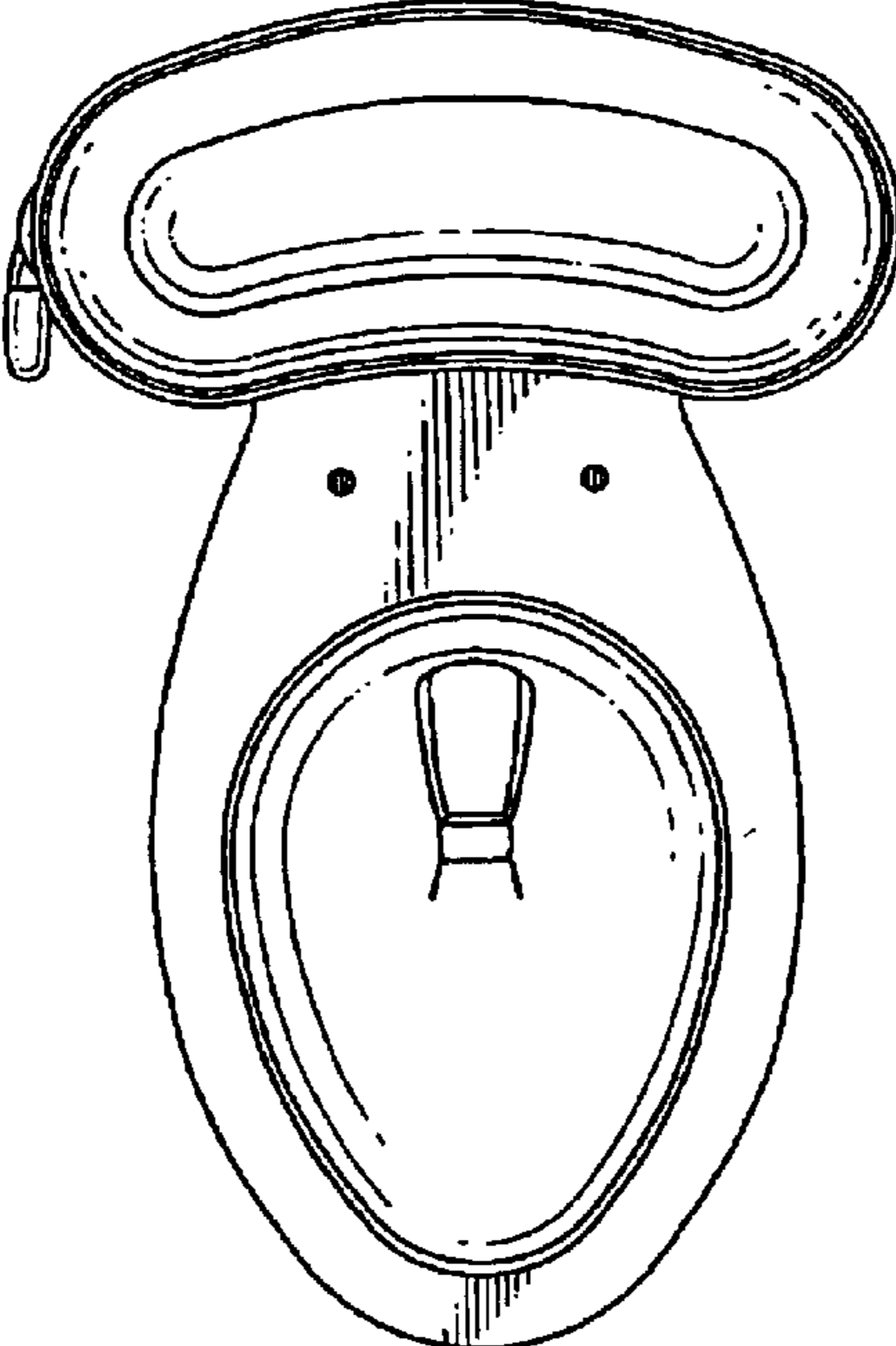


FIG. 3

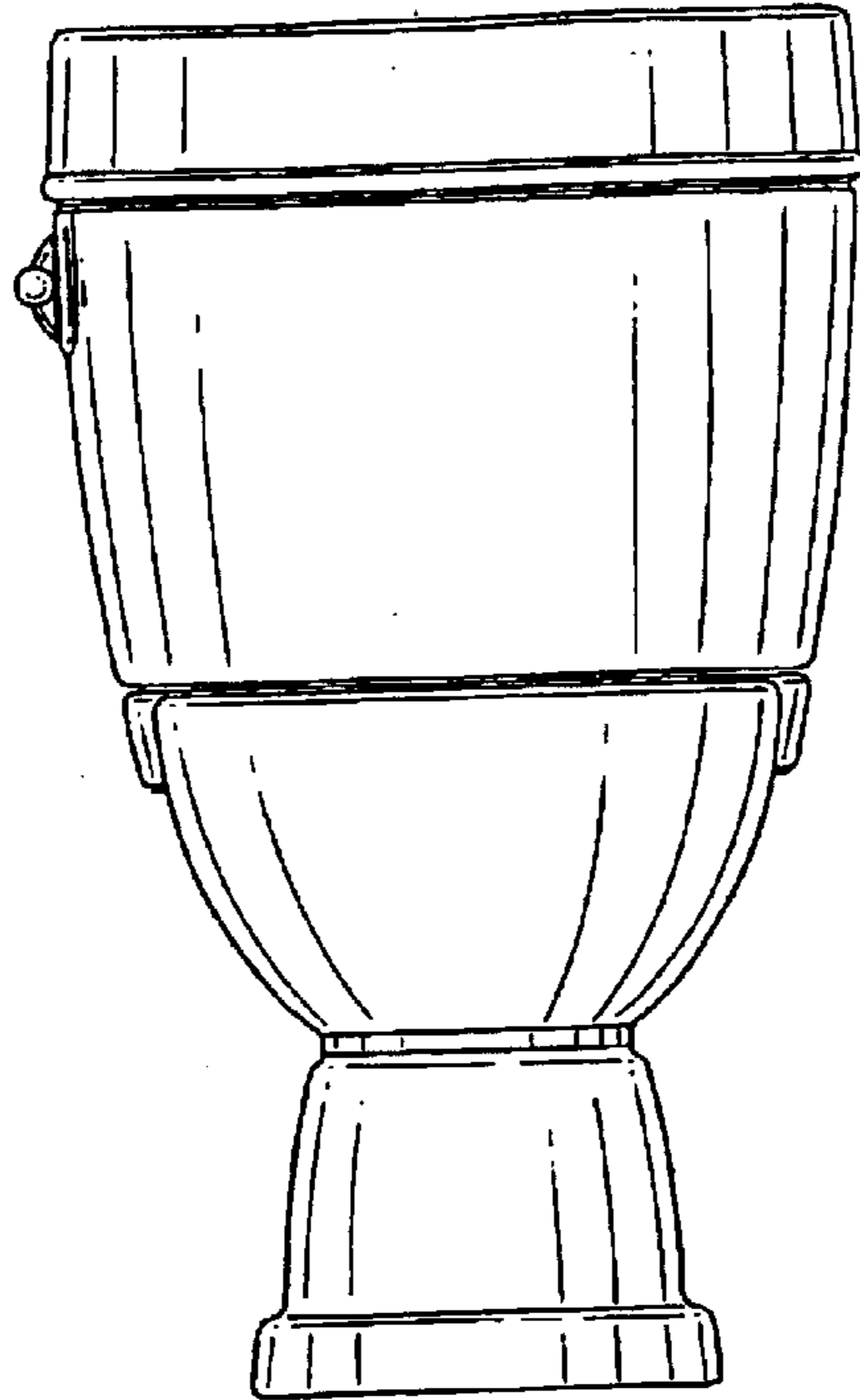


FIG. 4

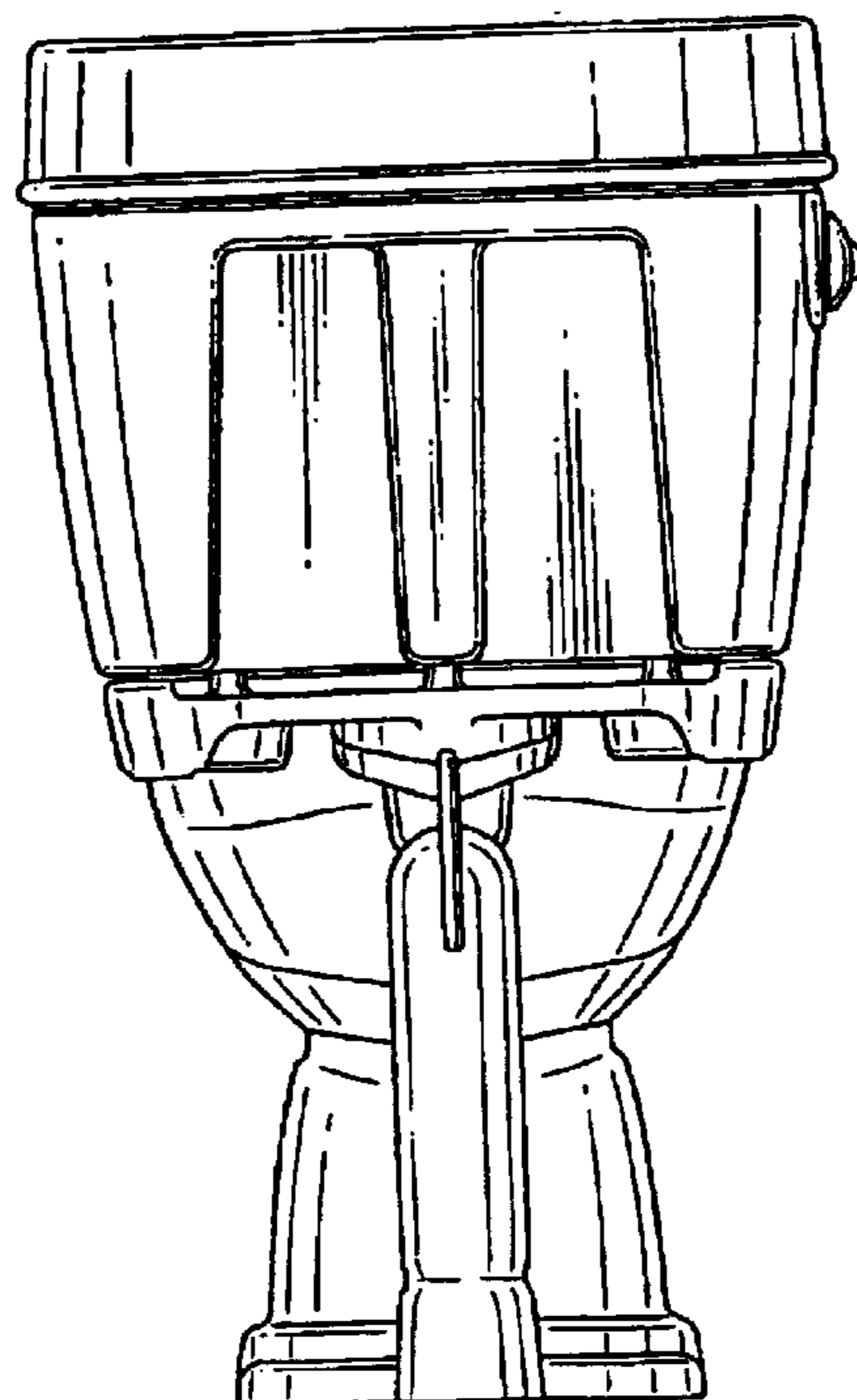


FIG. 5

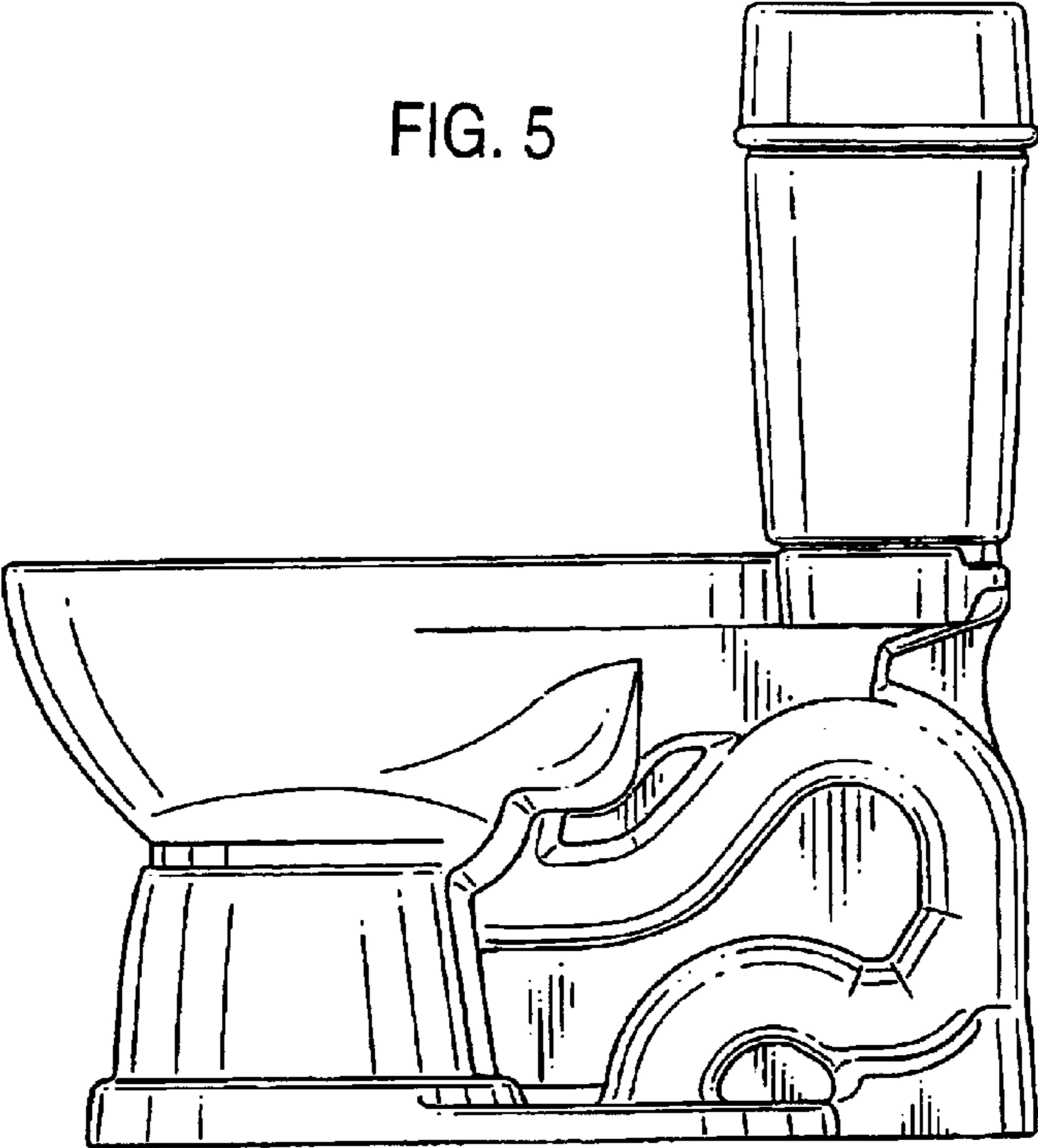


FIG. 6

