

US00D501542S

(12) **United States Design Patent**
Soulier

(10) **Patent No.:** **US D501,542 S**
(45) **Date of Patent:** **** Feb. 1, 2005**

(54) **SINK**

(75) **Inventor:** **Jean-Hugues Soulier**, Vaucresson (FR)

(73) **Assignee:** **Kohler Co.**, Kohler, WI (US)

(**) **Term:** **14 Years**

(21) **Appl. No.:** **29/202,596**

(22) **Filed:** **Apr. 1, 2004**

(51) **LOC (7) Cl.** **23-02**

(52) **U.S. Cl.** **D23/287**

(58) **Field of Search** D23/270–273,
D23/284–287, 290, 293.1, 303, 308; 4/662–666,
619, 630–631, 637–640, 642, 650–652,
661

(56) **References Cited**

U.S. PATENT DOCUMENTS

D298,163 S	*	10/1988	Downs	D23/287
D324,428 S	*	3/1992	Downs	D23/287
D395,699 S		6/1998	Hundley	D23/290
D430,925 S		9/2000	Svendsen et al.	D23/284
D450,374 S		11/2001	Svendsen et al.	D23/290

OTHER PUBLICATIONS

Undated Elkay catalog ad, entitled “Gourmet Double Compartment Sinks”.

Undated Kohler catalog ad, showing an Epicurean sink, entitled “Kohler Cast Iron Kitchen Sinks”.

Undated Jacob Delafon catalog ad, showing an Inox sink, entitled “Inox Confort”.

* cited by examiner

Primary Examiner—Robert A. Delehanty
(74) *Attorney, Agent, or Firm*—Quarles & Brady LLP

(57) **CLAIM**

The ornamental design for a sink, as shown and described.

DESCRIPTION

In a preferred embodiment, the nature of this product is as a plumbing fixture which is primarily useful for washing dishes and other items.

FIG. 1 is a right, top, front perspective view of a sink embodying my new design;

FIG. 2 is a top plan view thereof;

FIG. 3 is a front elevational view thereof, the rear elevational view thereof being a mirror image of the front elevational image shown;

FIG. 4 is a right side elevational view thereof;

FIG. 5 is a left side elevational view thereof;

FIG. 6 is a bottom plan view thereof;

FIG. 7 is a cross-sectional view thereof taken along line 7–7 of FIG. 2;

FIG. 8 is a cross-sectional view thereof taken along line 8–8 of FIG. 2;

FIG. 9 is a top plan view of a second embodiment which is identical to the first in construction, albeit the sink when installed will have the drain board on the left when viewed by the consumer (rather than right), with the other views being altered accordingly;

FIG. 10 is a right, top, front perspective view of a third sink embodying my new design;

FIG. 11 is a top plan view thereof;

FIG. 12 is a front elevational view thereof, the rear elevational view thereof being a mirror image of the front elevational image shown;

FIG. 13 is a right side elevational view thereof;

FIG. 14 is a left side elevational view thereof;

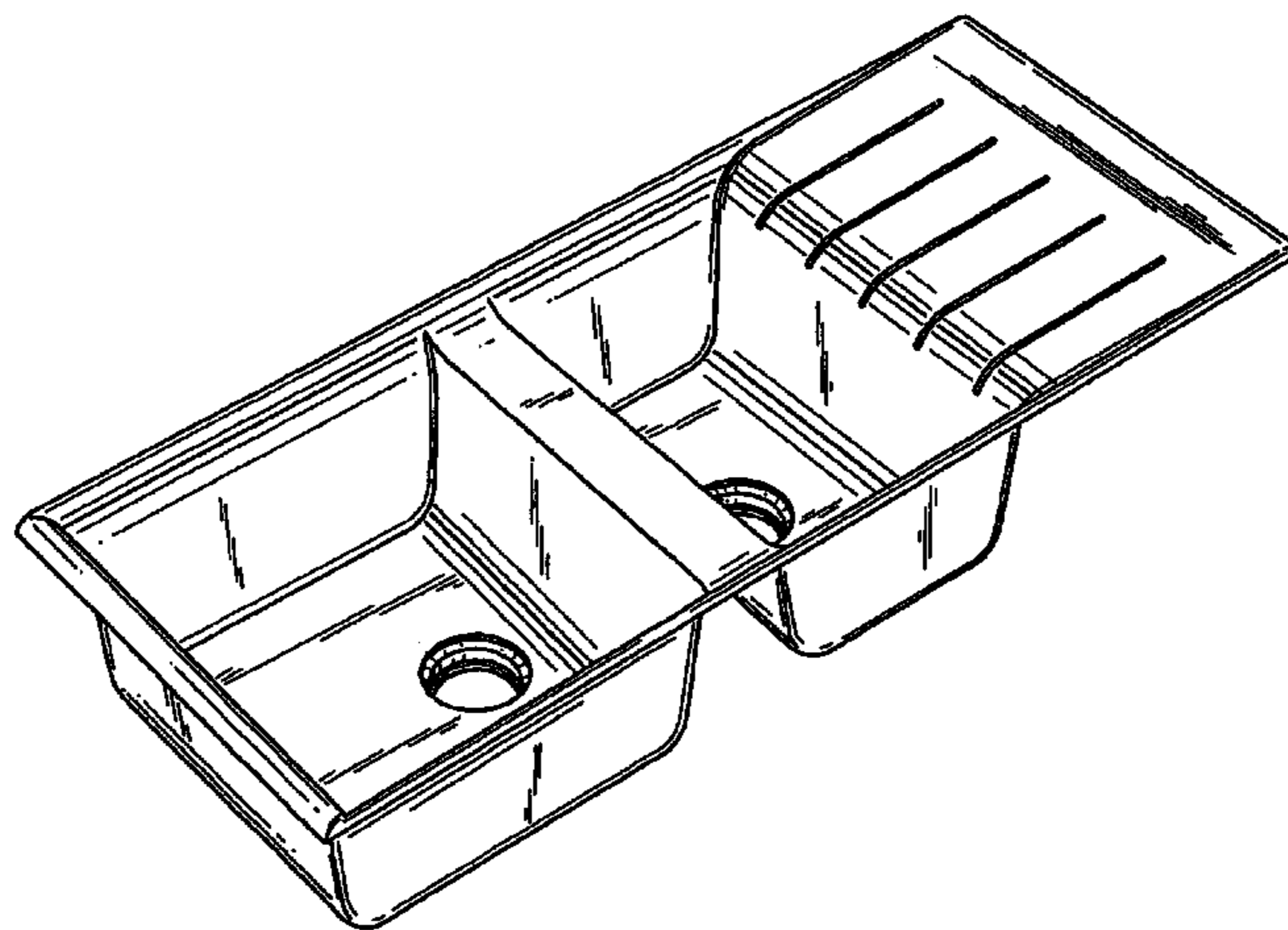
FIG. 15 is a bottom plan view thereof;

FIG. 16 is a cross-sectional view thereof taken along line 16–16 of FIG. 11;

FIG. 17 is a cross-sectional view thereof taken along line 17–17 of FIG. 11; and,

FIG. 18 is a top plan view of a fourth embodiment which is identical to the third in construction, albeit the sink when installed will have the drain board on the left when viewed by the consumer (rather than right), with the other views being altered accordingly.

1 Claim, 10 Drawing Sheets



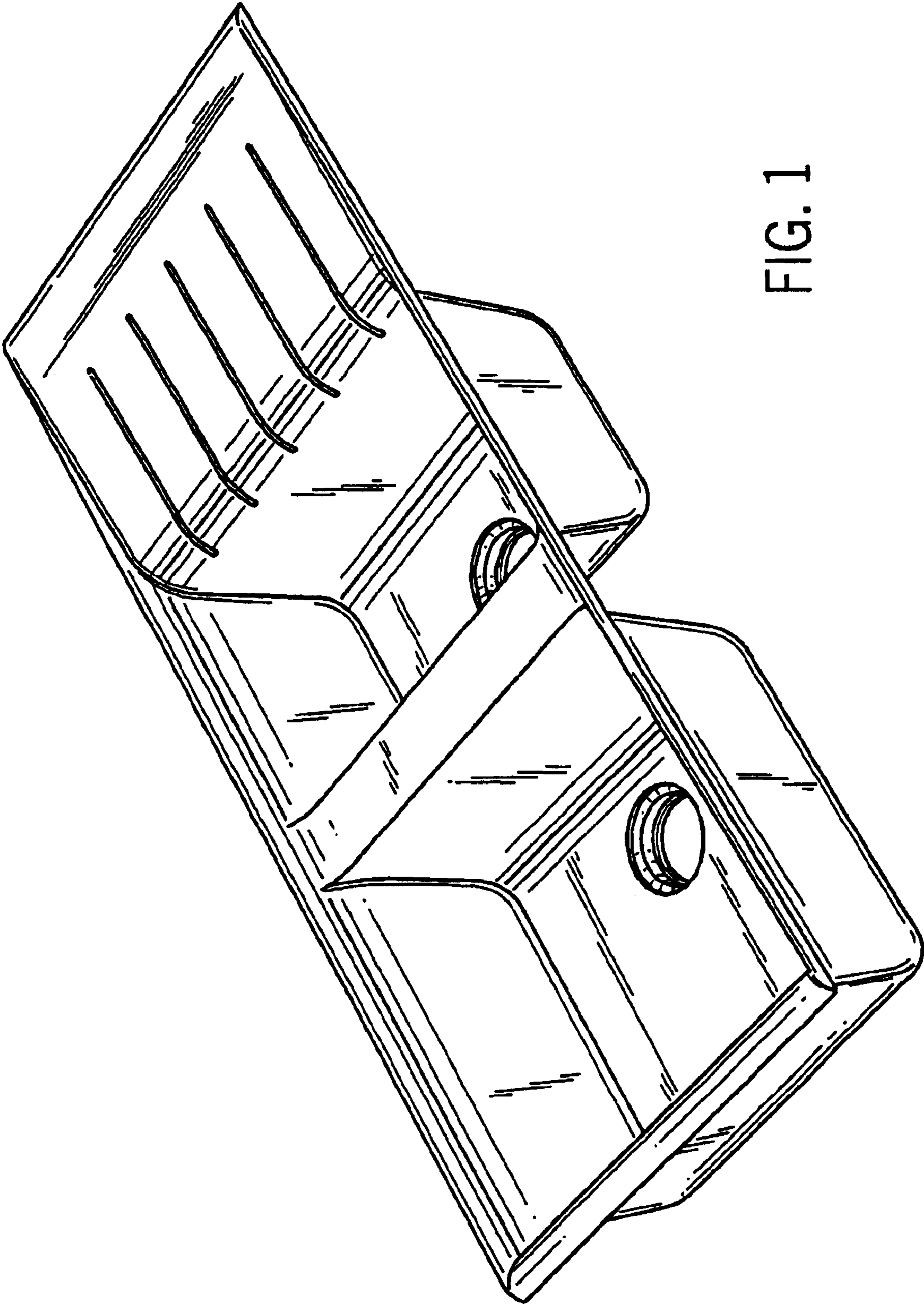


FIG. 1

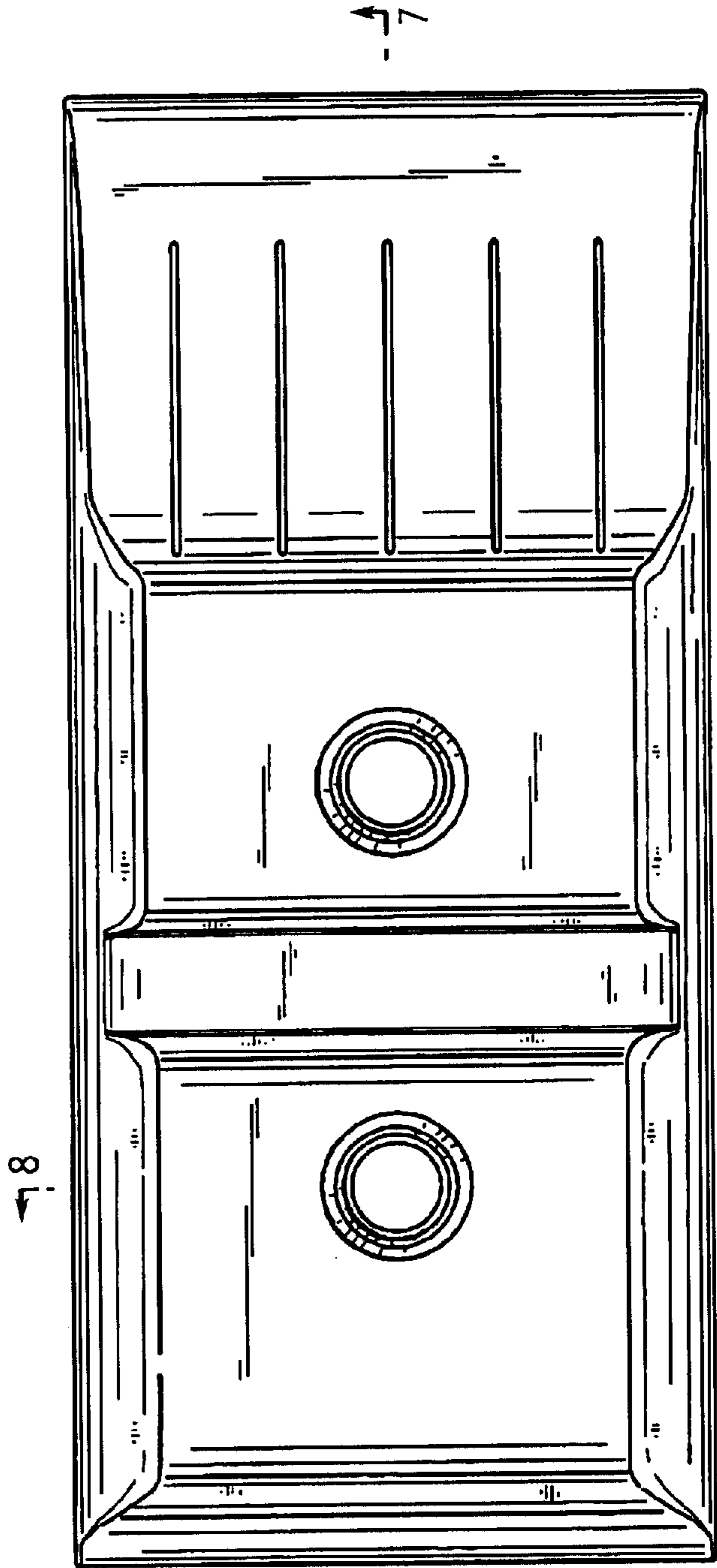


FIG. 2

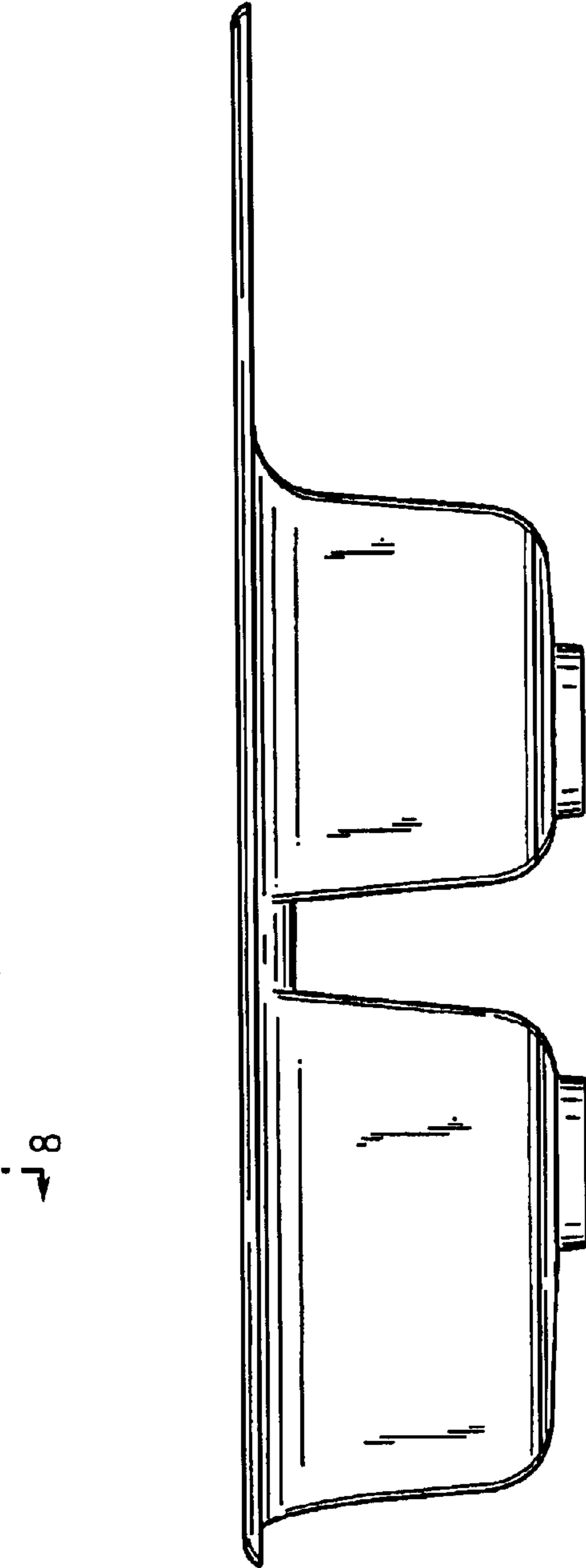


FIG. 3

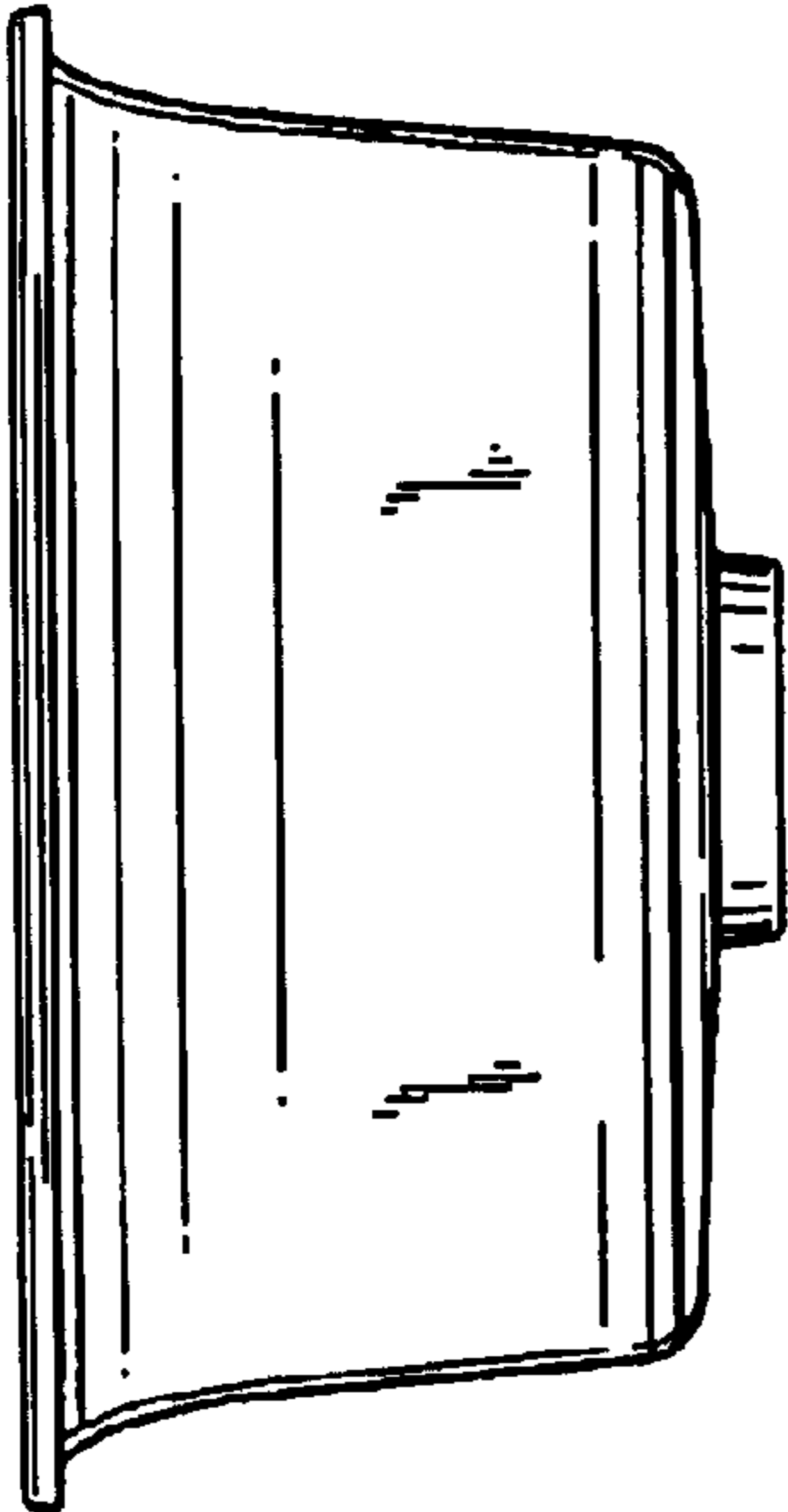


FIG. 4

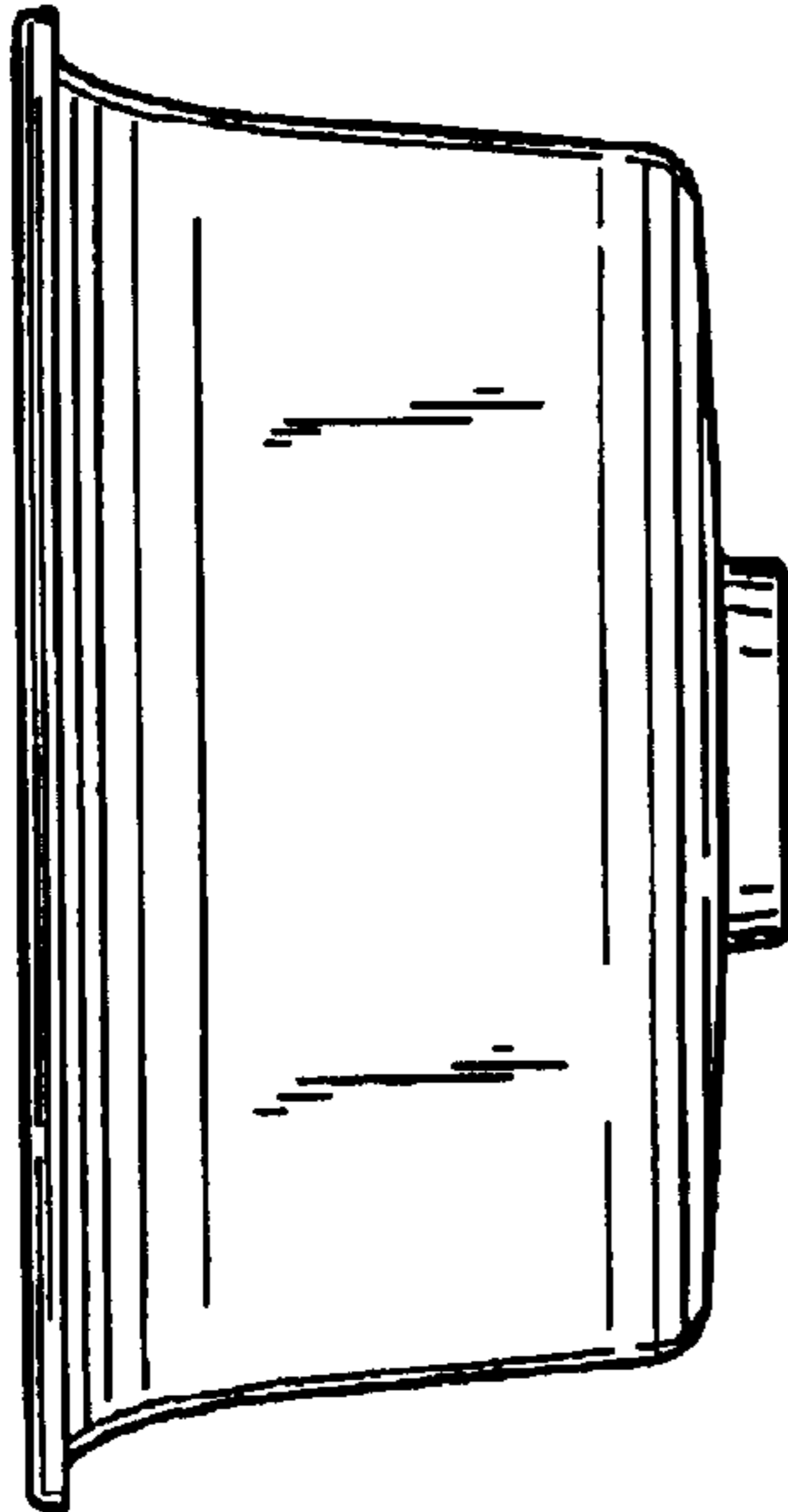


FIG. 5

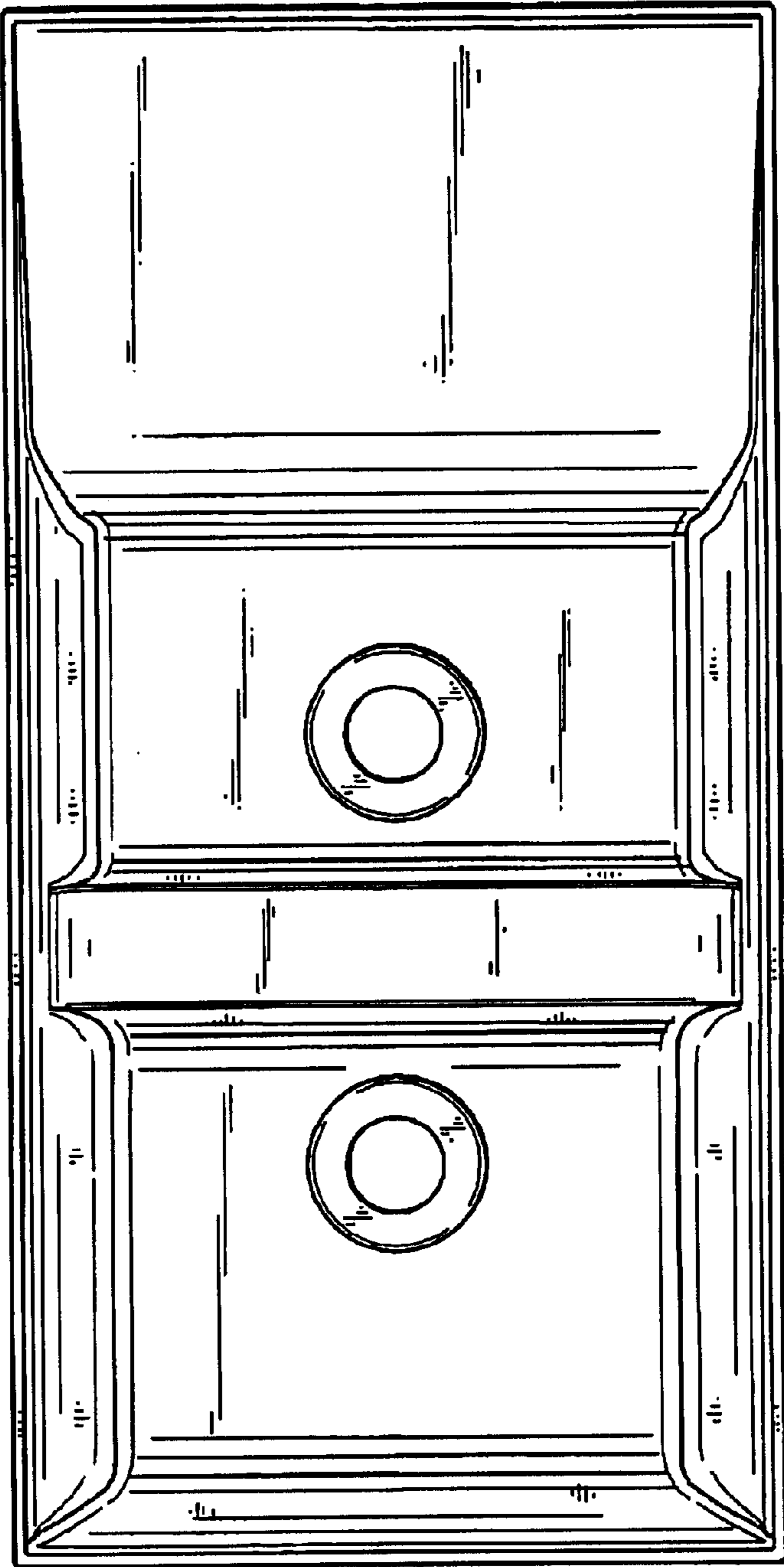


FIG. 6

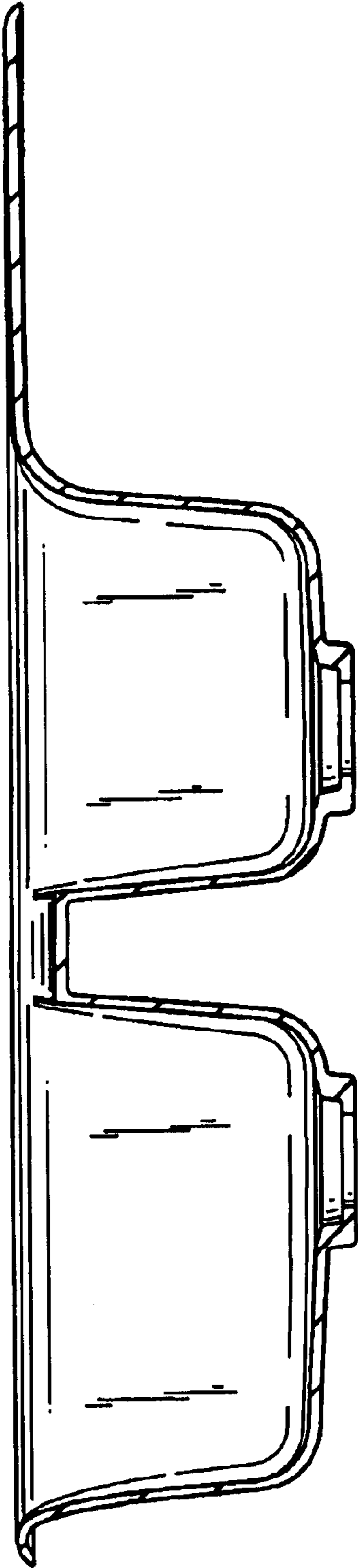


FIG. 7

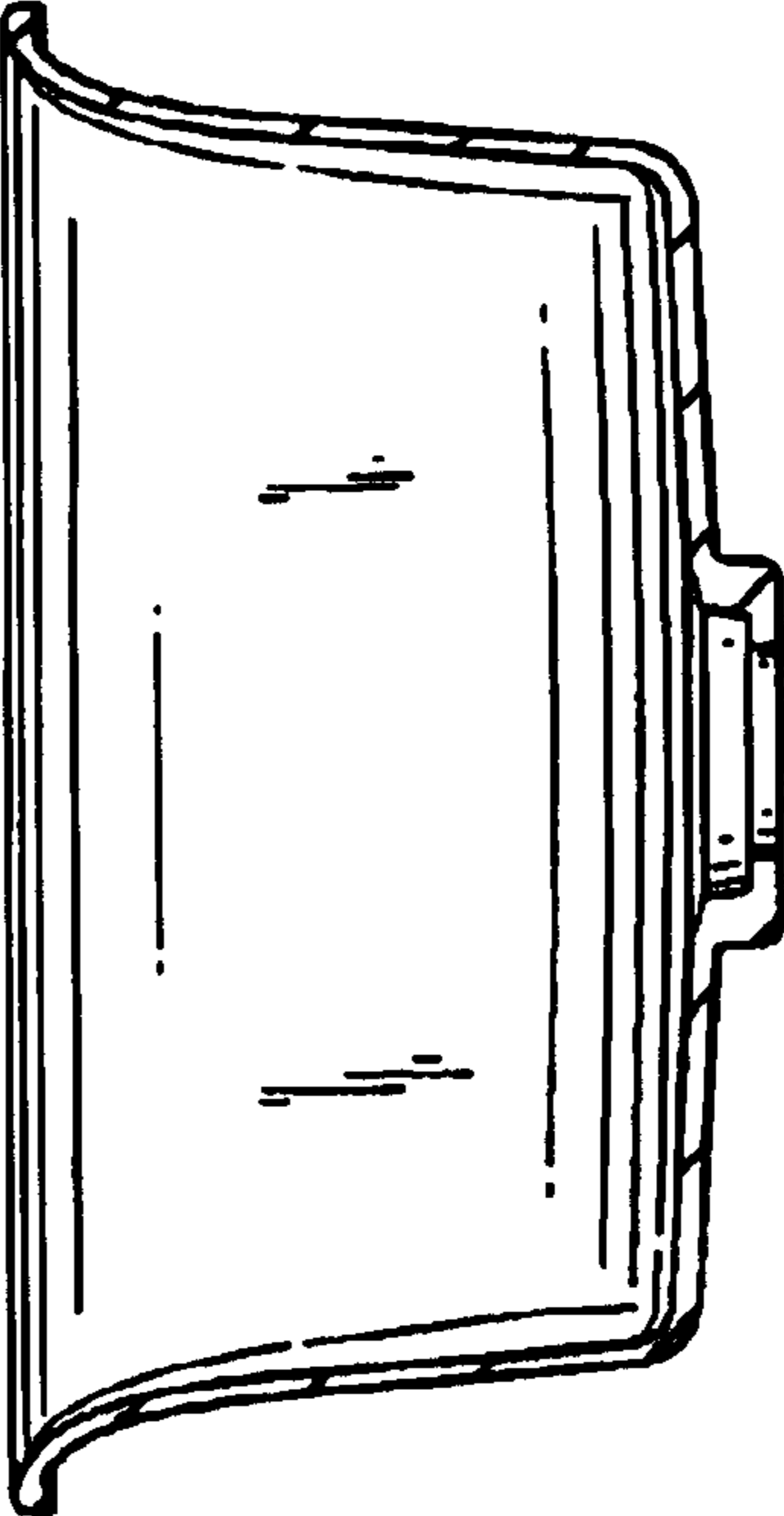


FIG. 8

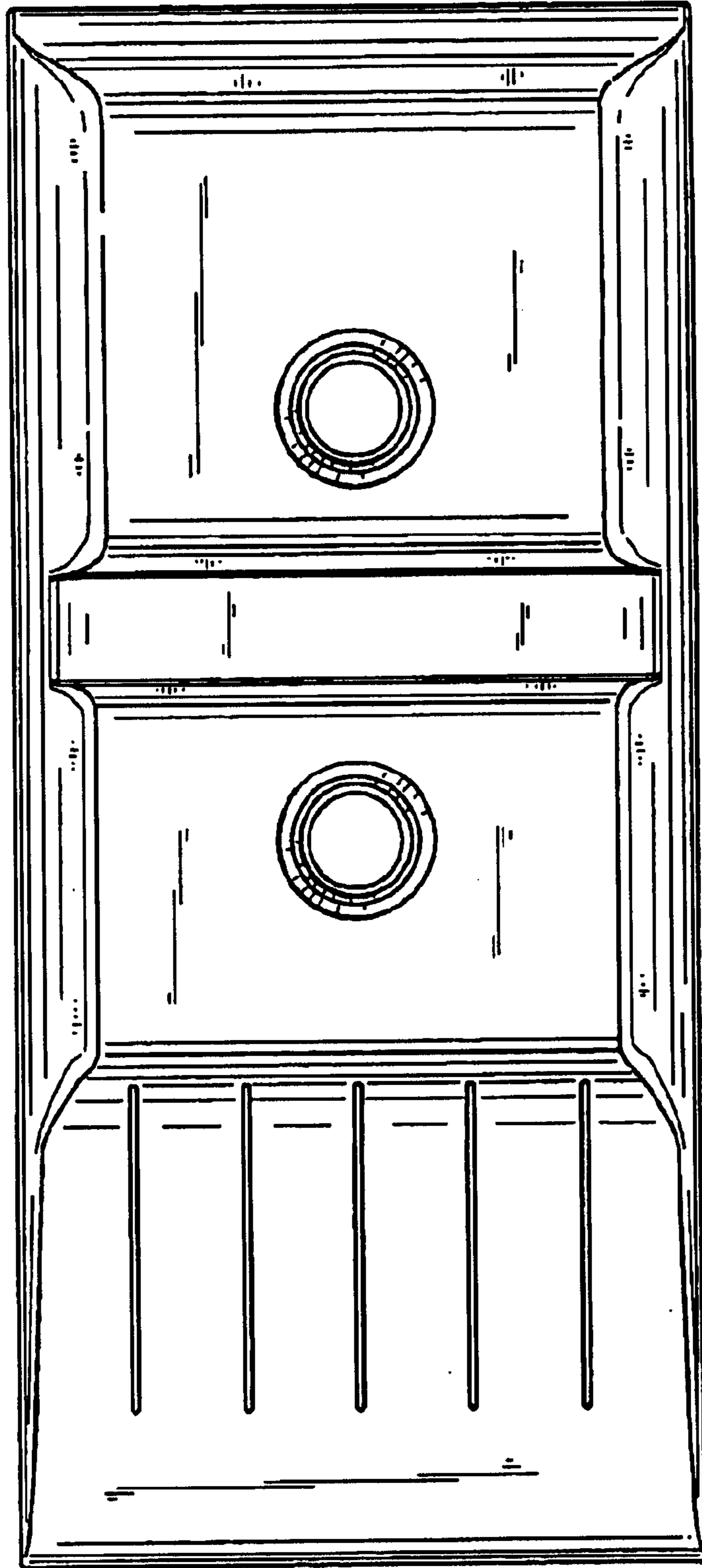


FIG. 9

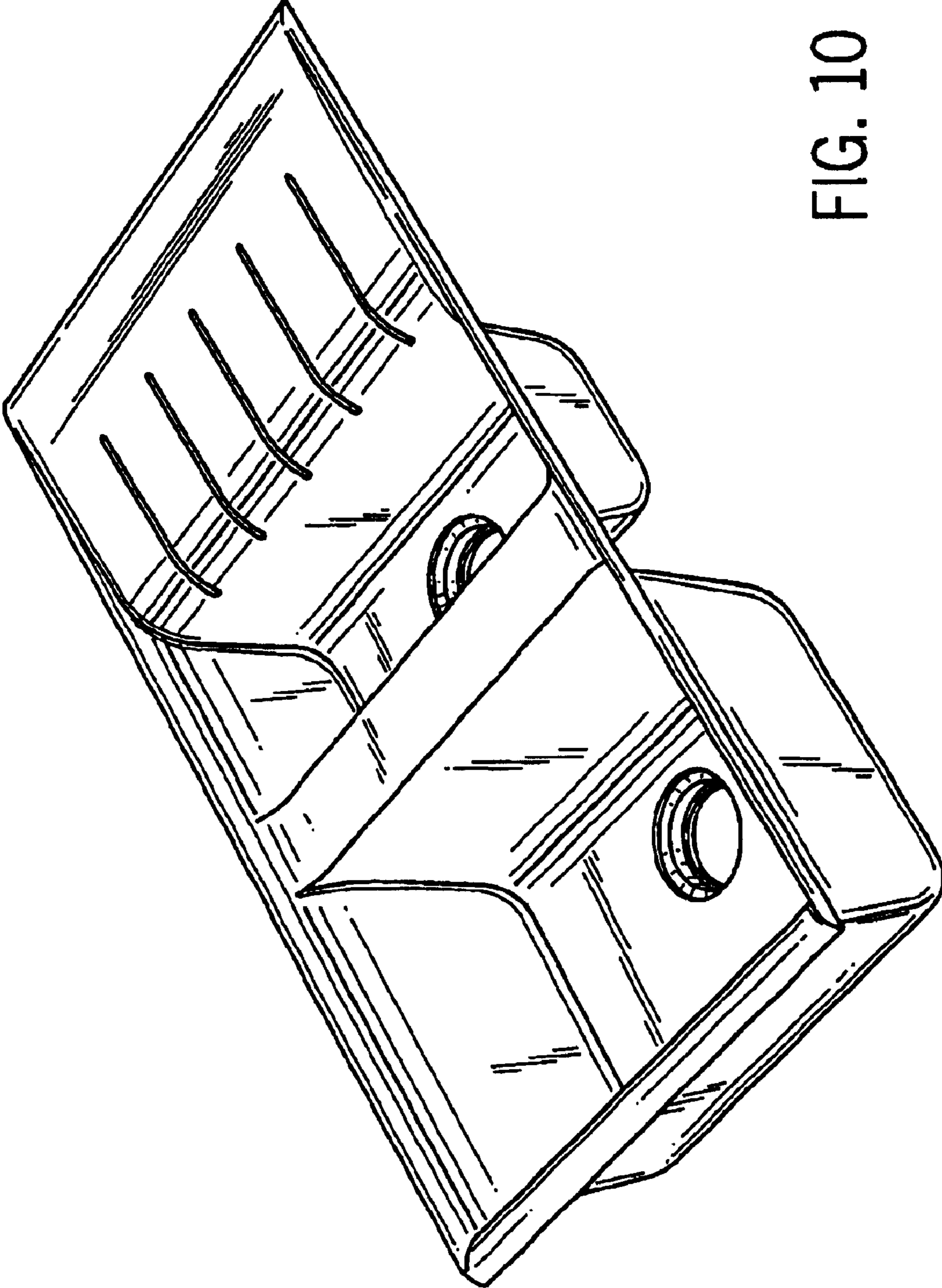


FIG. 10

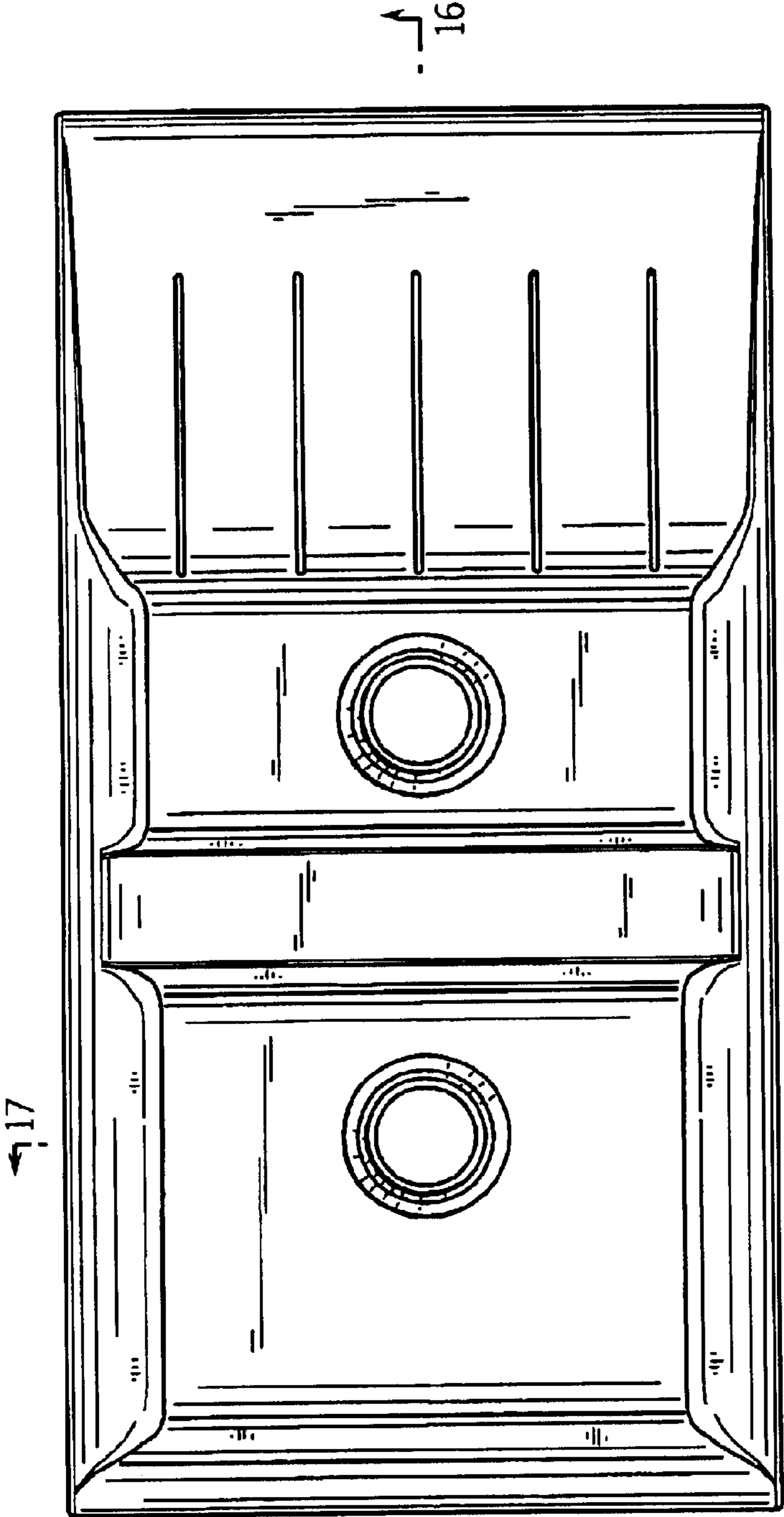


FIG. 11

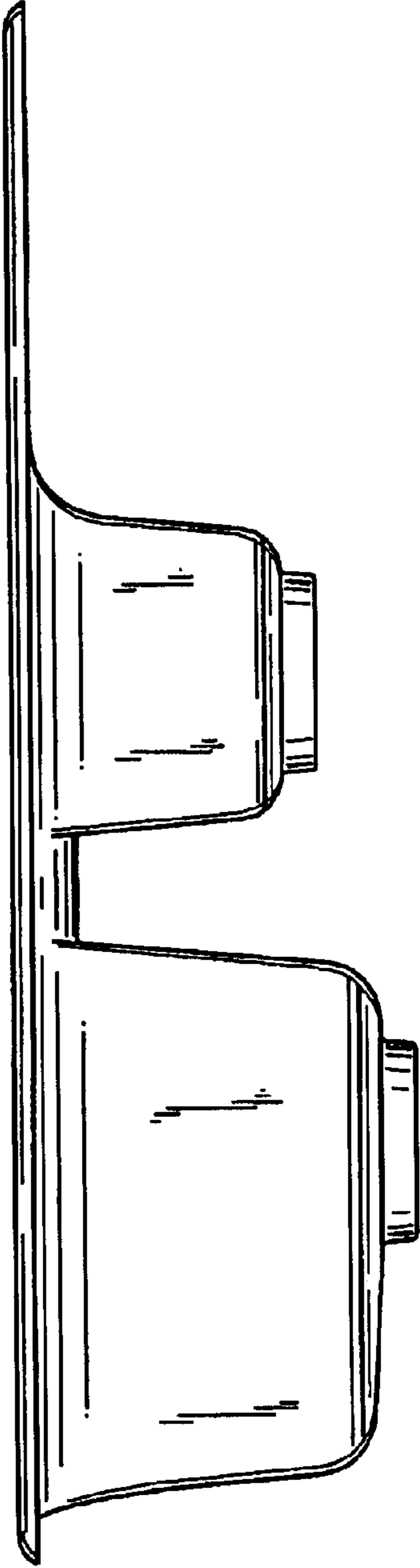


FIG. 12

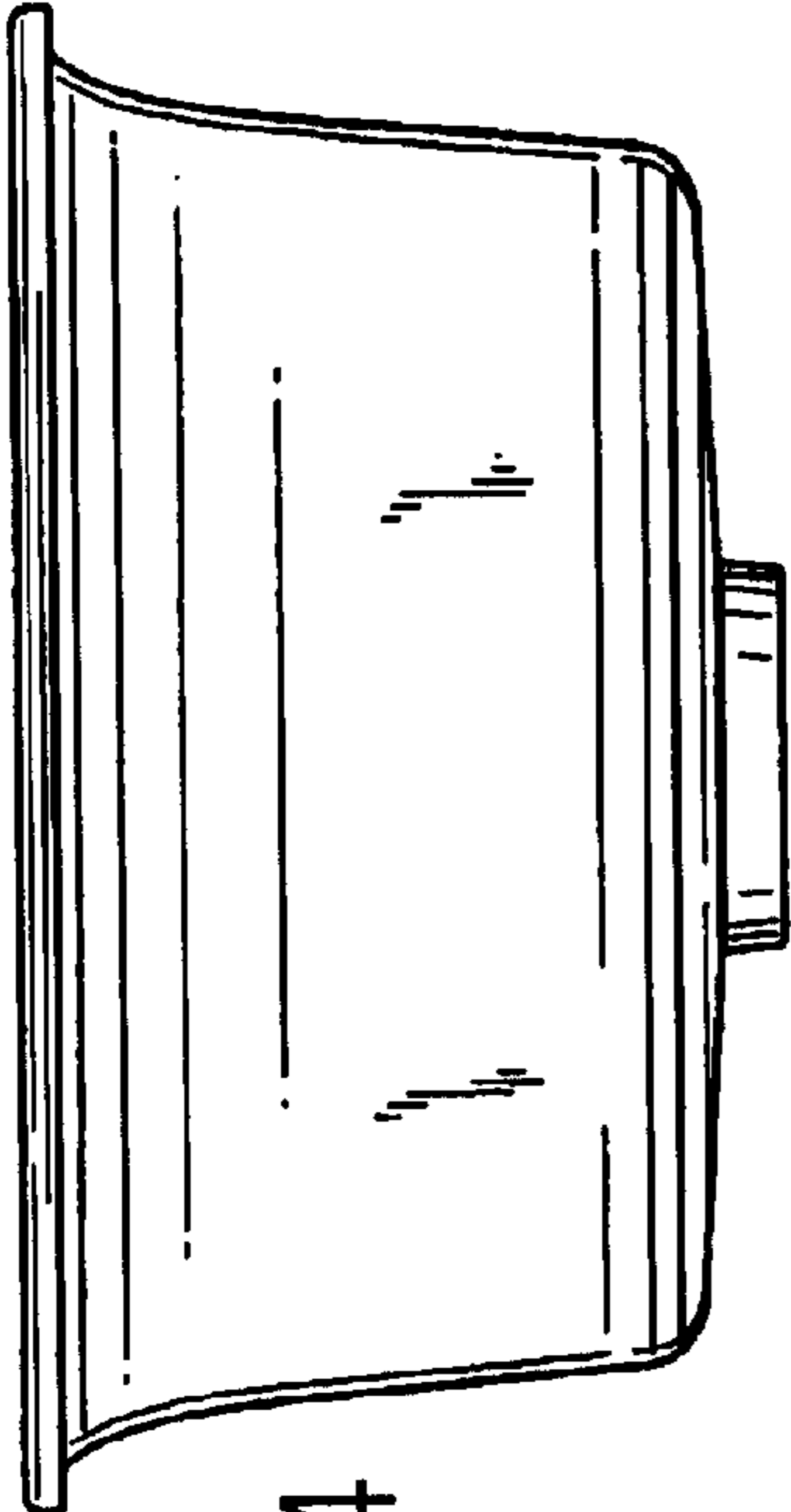


FIG. 14

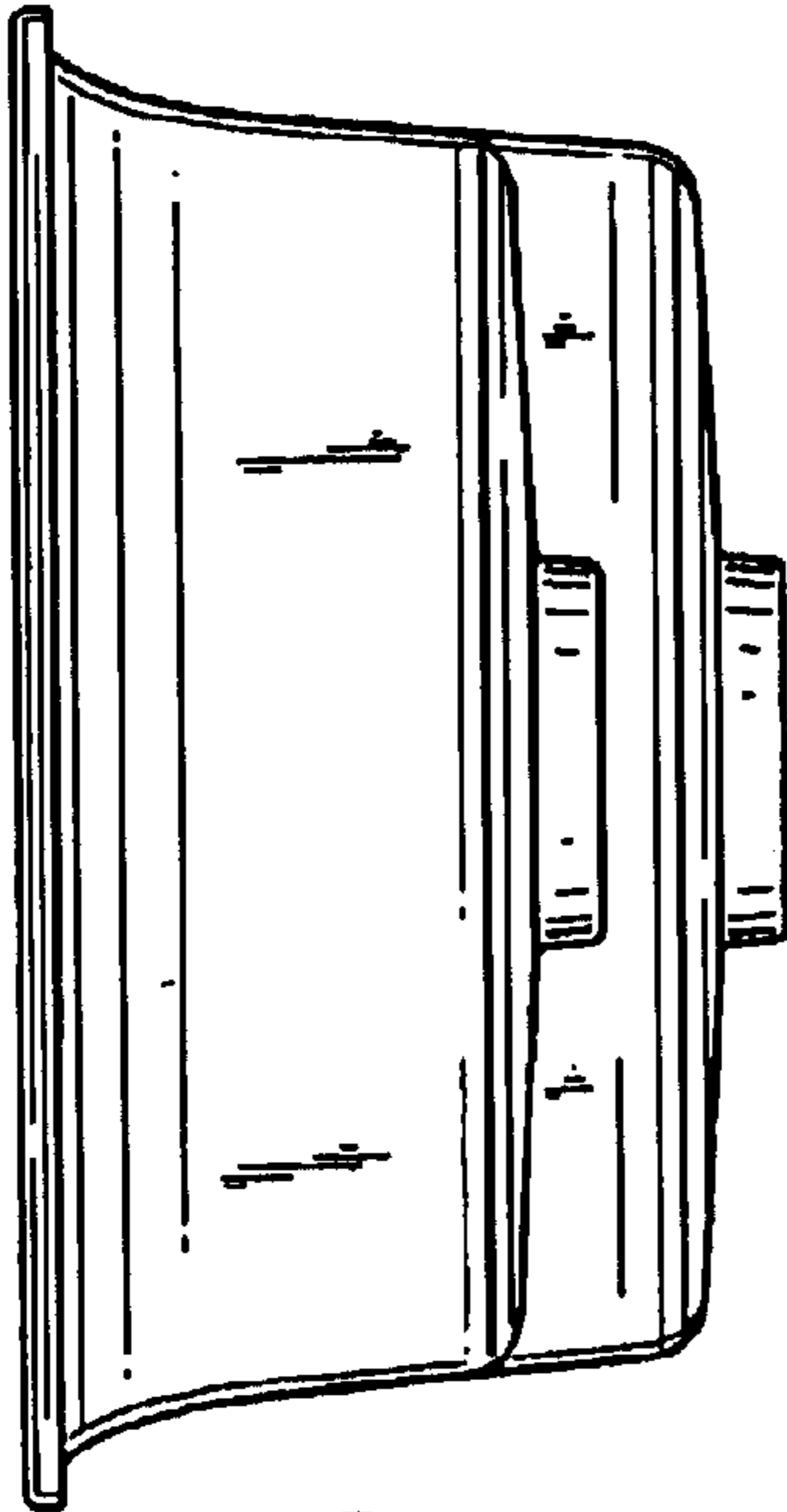


FIG. 13

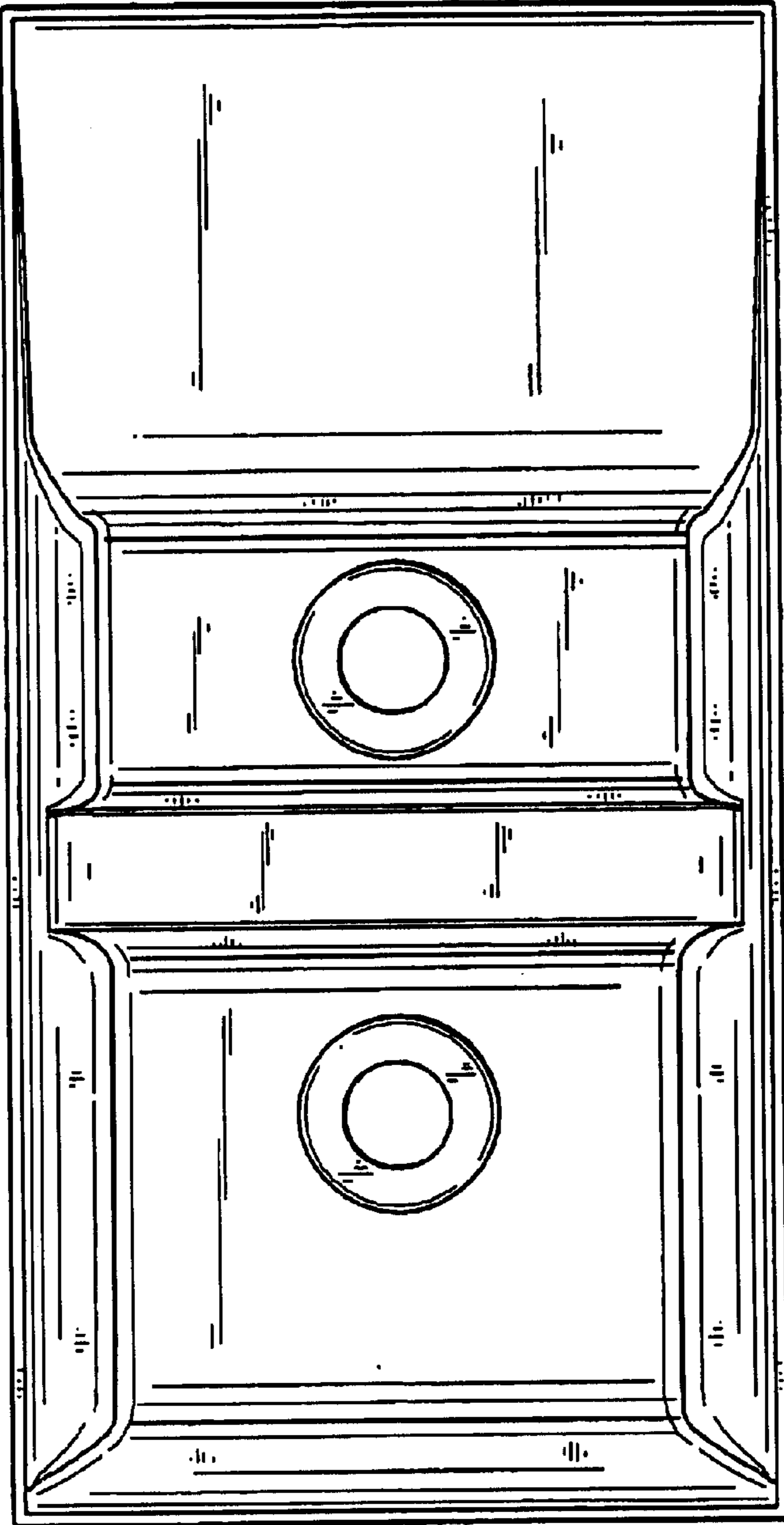


FIG. 15

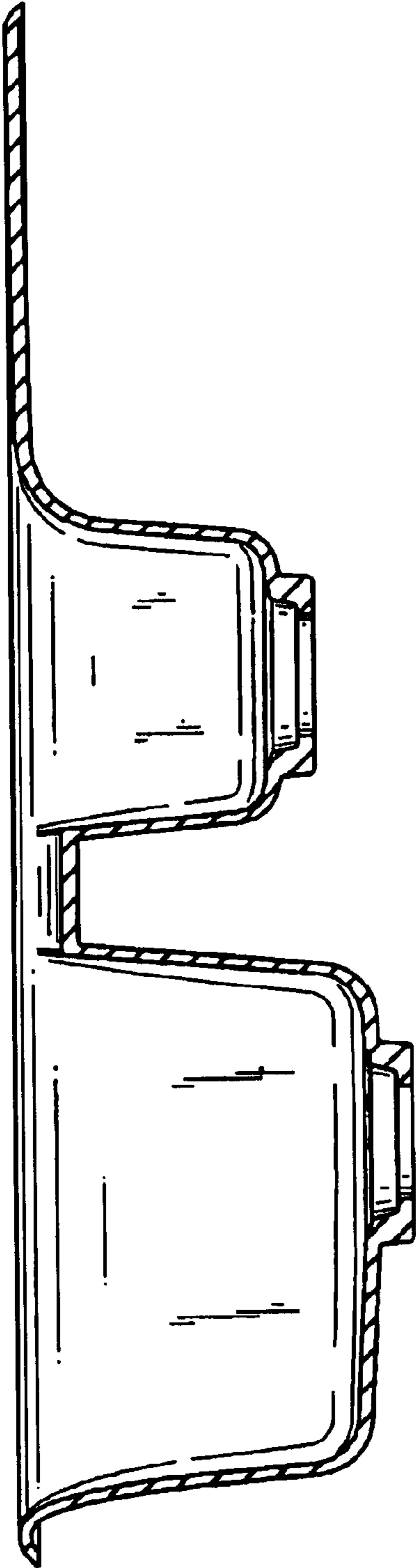


FIG. 16

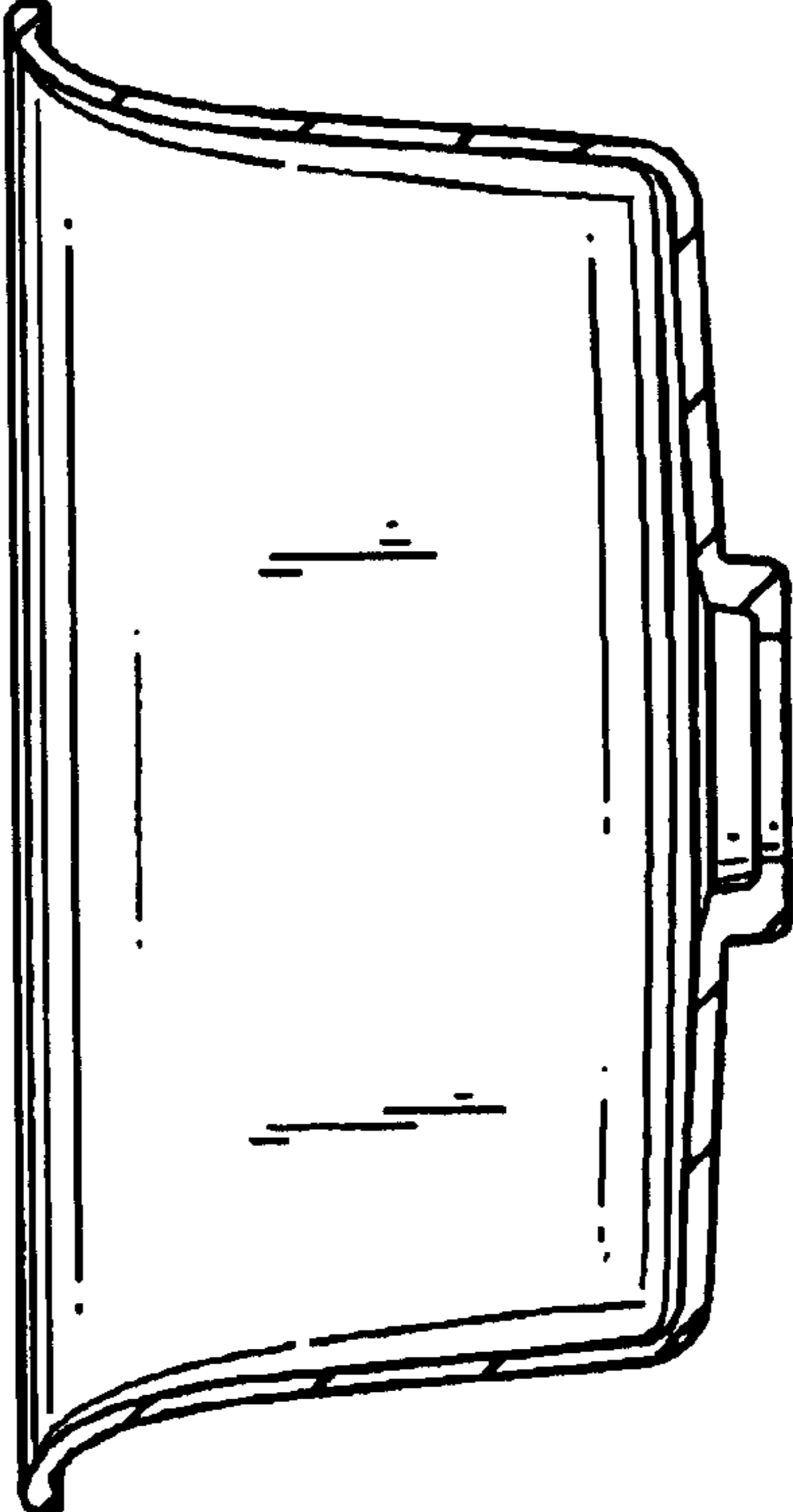


FIG. 17

FIG. 18

