



US00D501541S

(12) **United States Design Patent**
Gordon

(10) **Patent No.:** **US D501,541 S**
(45) **Date of Patent:** **** Feb. 1, 2005**

- (54) **SINK**
- (75) Inventor: **William F. Gordon**, Sheboygan Falls, WI (US)
- (73) Assignee: **Kohler Co.**, Kohler, WI (US)
- (**) Term: **14 Years**
- (21) Appl. No.: **29/201,906**
- (22) Filed: **Mar. 23, 2004**
- (51) **LOC (7) Cl.** **23-02**
- (52) **U.S. Cl.** **D23/284**
- (58) **Field of Search** D23/270–273,
D23/284–285, 289, 292–293.1, 303, 308,
288; 4/662–666, 619, 643, 661, 650–652

(56) **References Cited**

U.S. PATENT DOCUMENTS

D353,652 S	*	12/1994	Dannenberg	D23/293.1
D463,538 S		9/2002	Chipperfield	D23/284
D484,956 S	*	1/2004	Rachiele	D23/293.1
D492,983 S	*	7/2004	Rachiele	D23/293.1

OTHER PUBLICATIONS

2000 Kohler catalog ad, p. 16.20, showing a “Dickinson” kitchen sink.
 2000 Kohler catalog ad, p. 14.5, showing a “Bateau” lavatory.

2000 Kohler catalog ad, p. 16.60, showing a “Lyric” kitchen sink.
 May 2003 Kohler catalog ad, p. 42, showing a “Verse” single basin kitchen sink.
 2001 Kallista catalog ad, p. 2.32, showing a “Michael Smith Loft” kitchen sink.

* cited by examiner

Primary Examiner—Robert A. Delehanty
 (74) *Attorney, Agent, or Firm*—Quarles & Brady LLP

(57) **CLAIM**

The ornamental design for a sink, as shown and described.

DESCRIPTION

In a preferred embodiment, the nature of this product is as a plumbing fixture primarily useful for washing various objects.

FIG. 1 is a left, top, front perspective view of a sink embodying my new design;

FIG. 2 is a top plan view thereof;

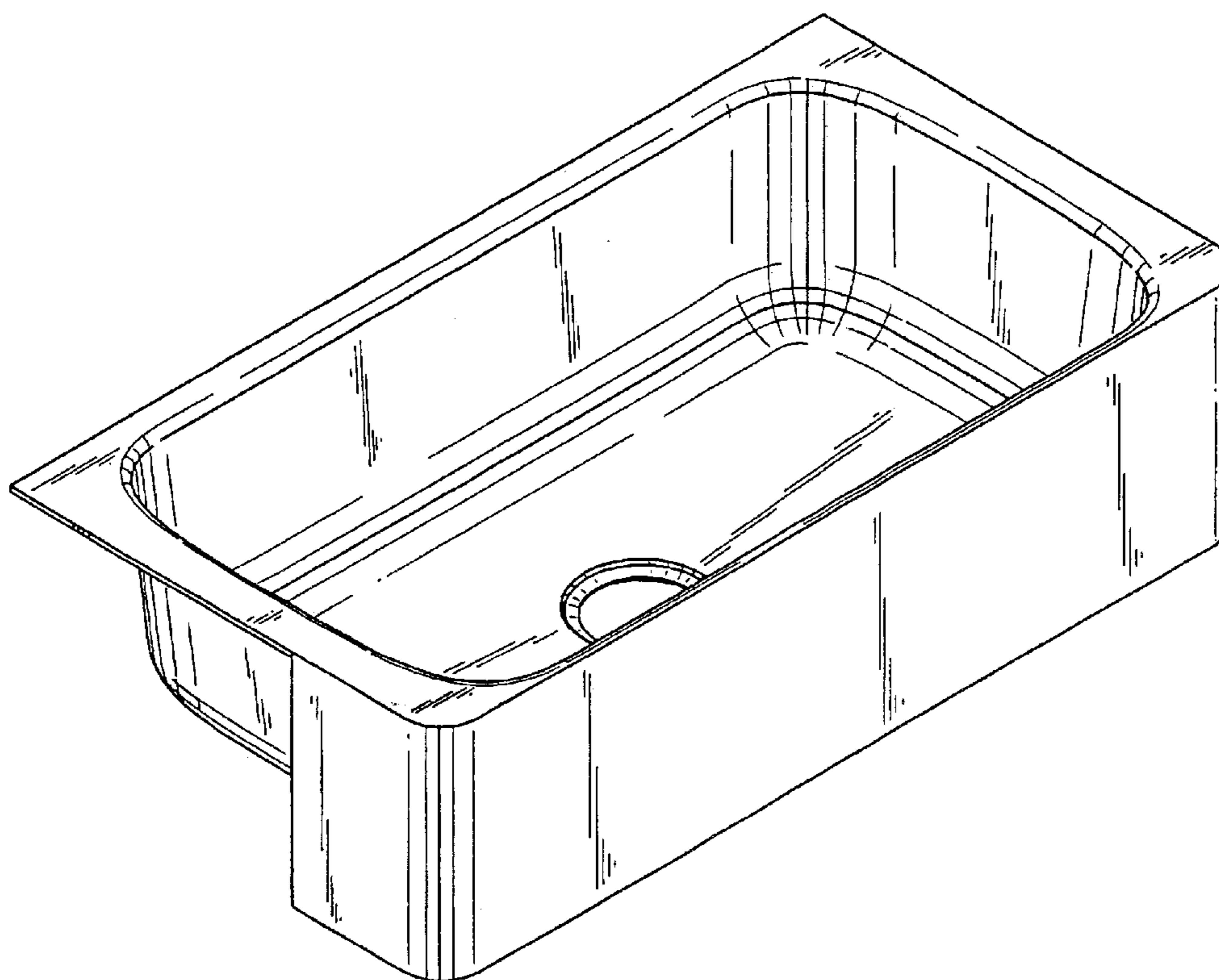
FIG. 3 is a front elevational view thereof;

FIG. 4 is a left side elevational view thereof, the right side elevational view thereof being a mirror image of the left side shown;

FIG. 5 is a rear elevational view thereof; and,

FIG. 6 is a bottom plan view thereof.

1 Claim, 3 Drawing Sheets



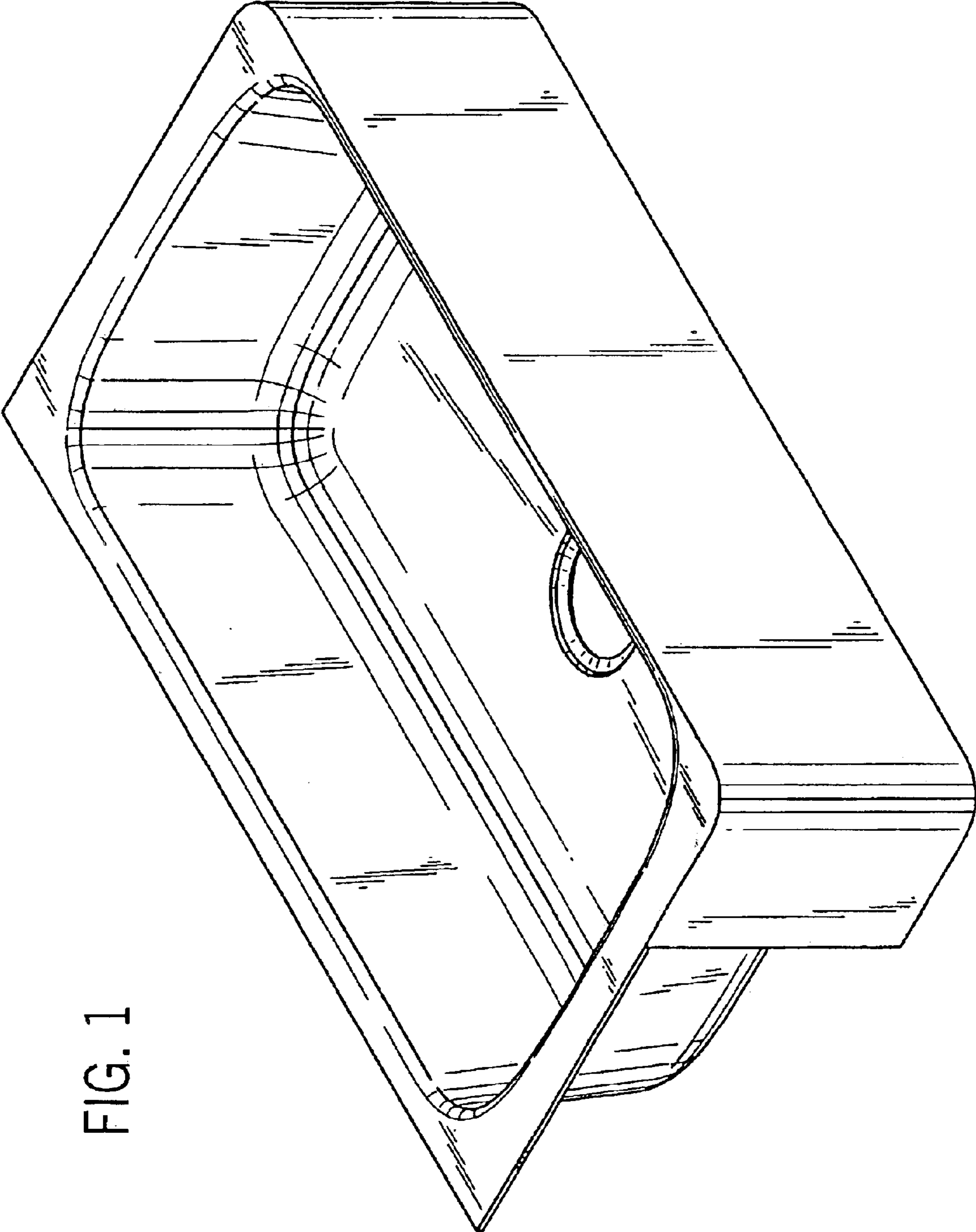


FIG. 1

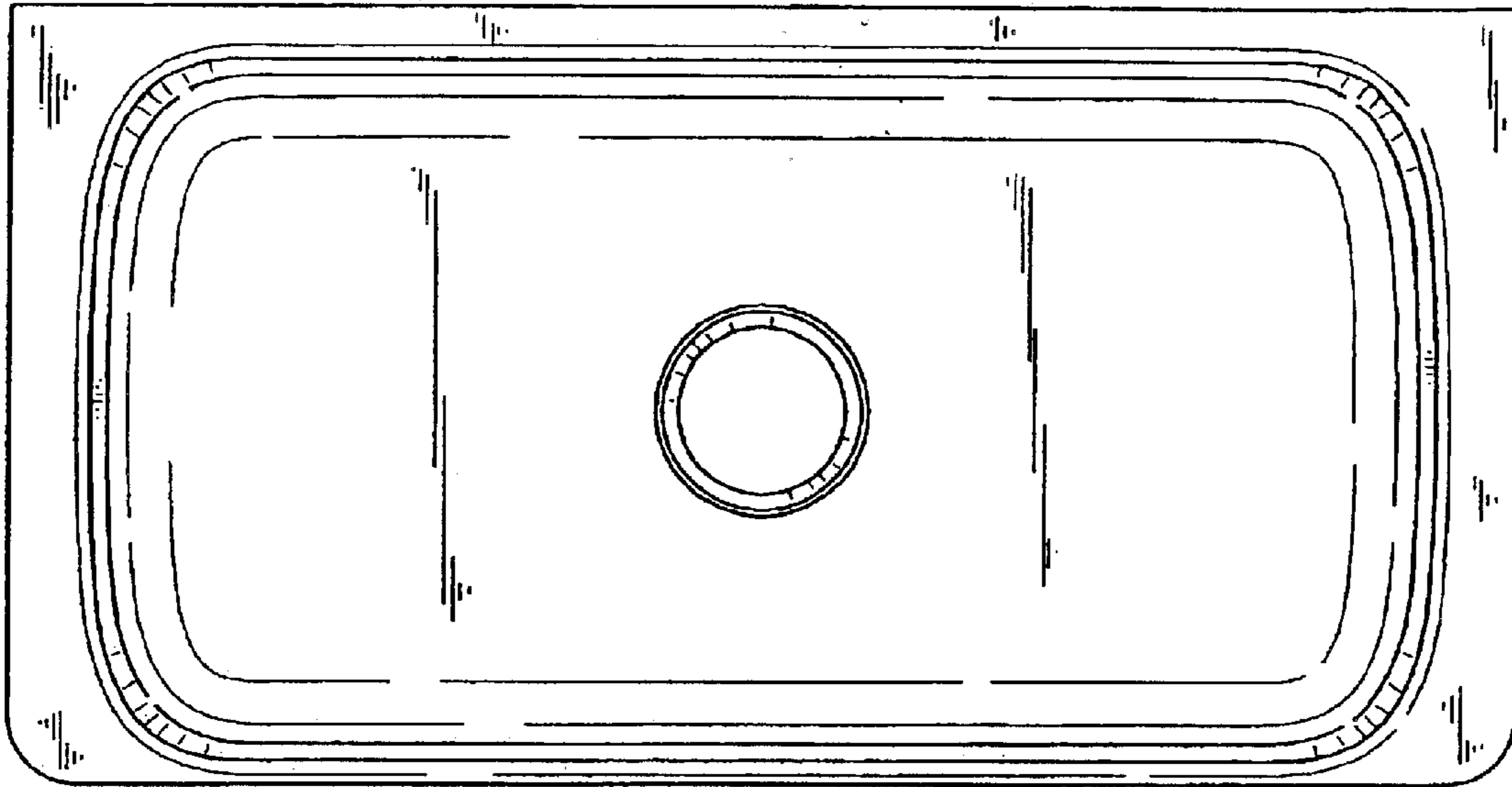


FIG. 2

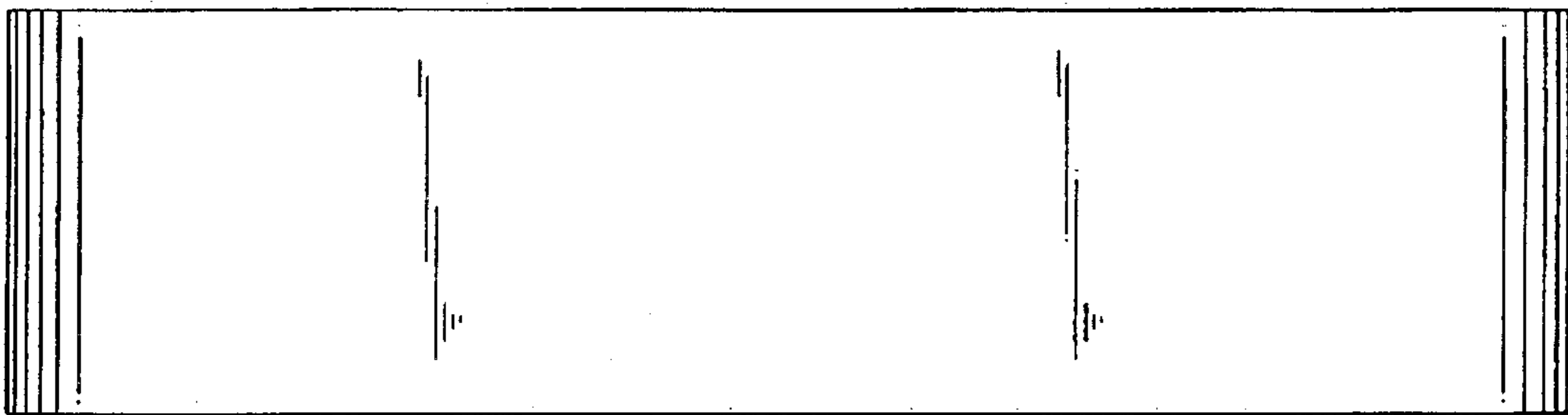


FIG. 3

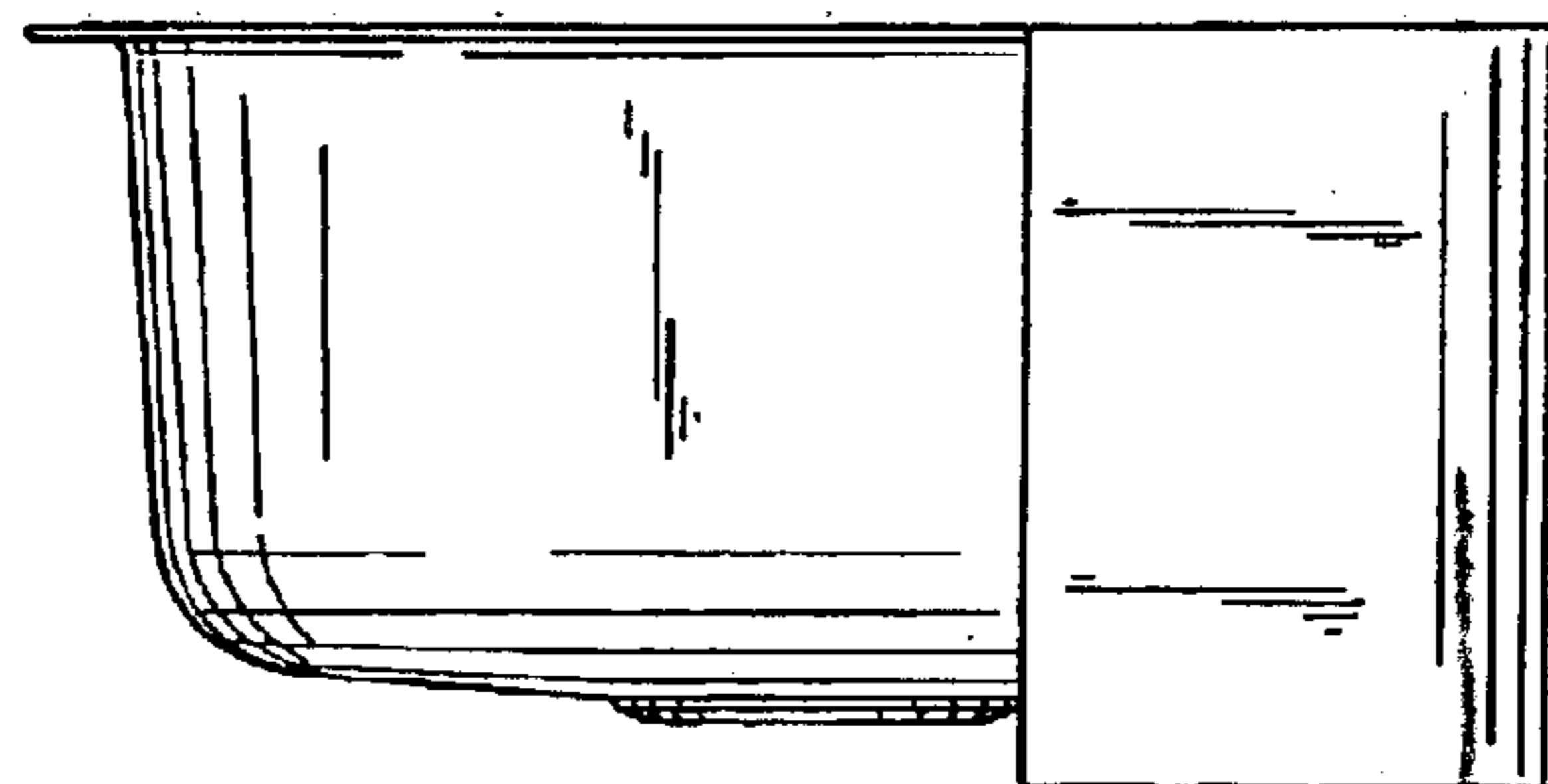


FIG. 4

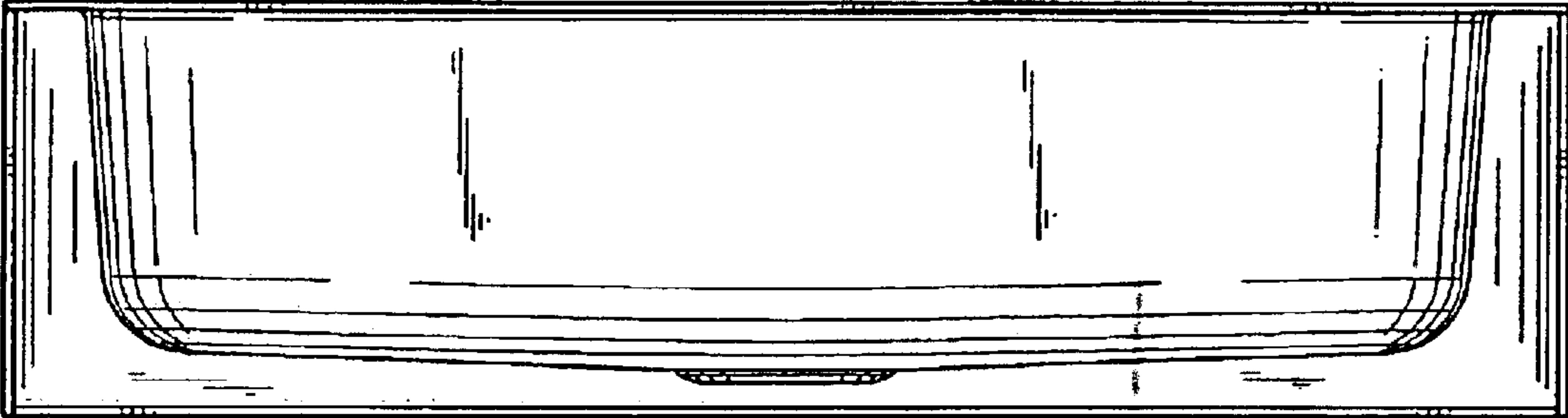


FIG. 5

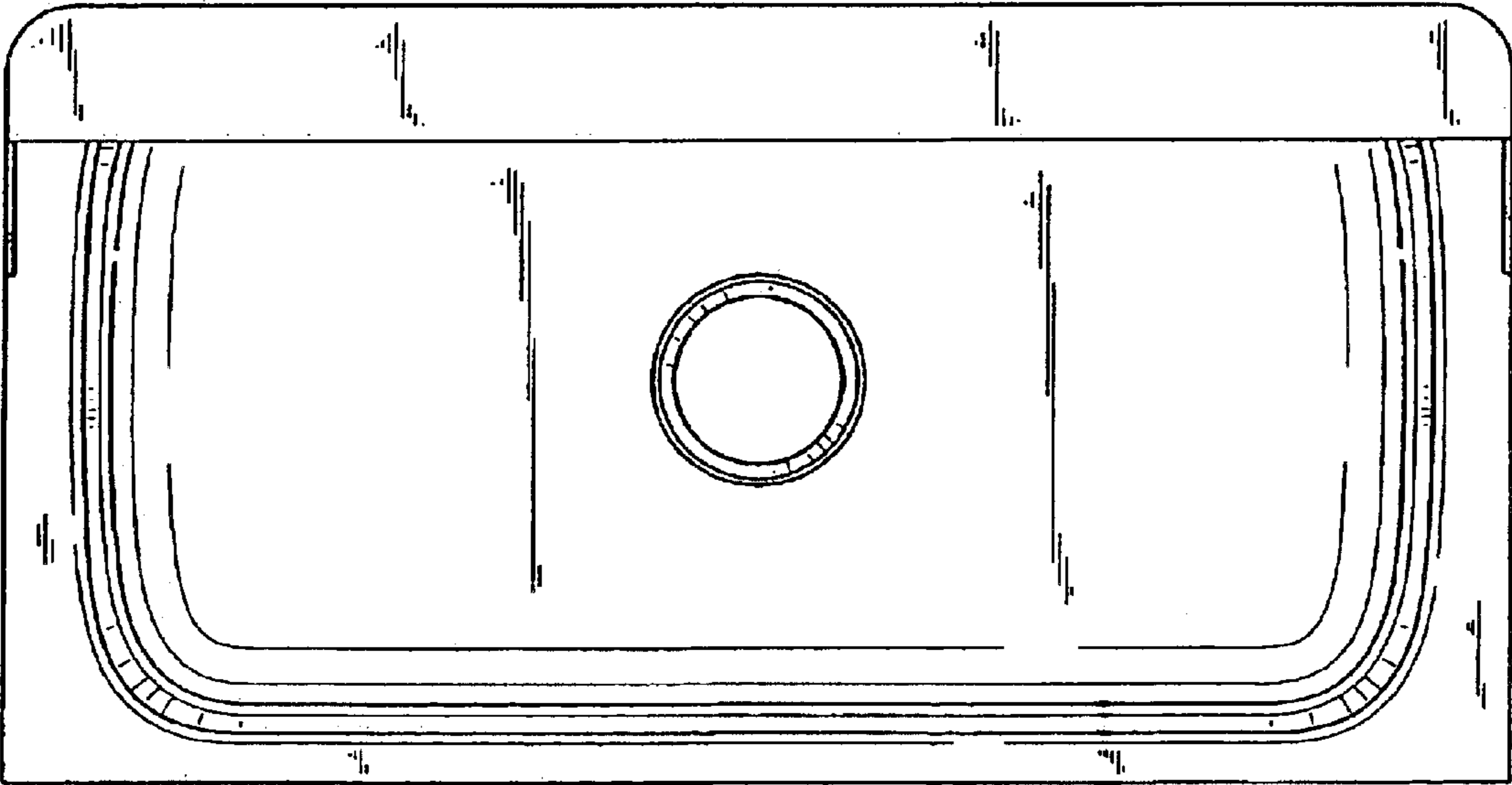


FIG. 6