

US00D501539S

(12) **United States Design Patent**  
**Dyer, III**

(10) **Patent No.:** **US D501,539 S**  
(45) **Date of Patent:** **\*\* Feb. 1, 2005**

(54) **ANTI-KINK SLEEVE FOR GARDEN HOSE**  
(75) **Inventor:** **Daniel P. Dyer, III**, Wickford, RI (US)  
(73) **Assignee:** **Truex Incorporated**, Pawtucket, RI (US)  
(\*\*) **Term:** **14 Years**

*Primary Examiner*—Robin V. Taylor  
(74) *Attorney, Agent, or Firm*—Salter & Michaelson

(21) **Appl. No.:** **29/195,279**  
(22) **Filed:** **Dec. 9, 2003**

(57) **CLAIM**

The ornamental design for an anti-kink sleeve for garden hose, as shown and described.

(51) **LOC (7) Cl.** ..... **23-01**  
(52) **U.S. Cl.** ..... **D23/262**  
(58) **Field of Search** ..... D23/261, 262;  
285/45, 53, 115, 116, 318

**DESCRIPTION**

FIG. 1 is a perspective view of an anti-kink sleeve for garden hose showing my new design;  
FIG. 2 is an enlarged perspective view thereof;  
FIG. 3 is a right side elevational view thereof;  
FIG. 4 is a left side elevational view thereof;  
FIG. 5 is a right end view thereof;  
FIG. 6 is a left end view thereof;  
FIG. 7 is a top plan view thereof; and,  
FIG. 8 is a bottom plan view thereof.  
The portions shown in broken lines in FIG. 1 are for information only and form no part of the claimed design.

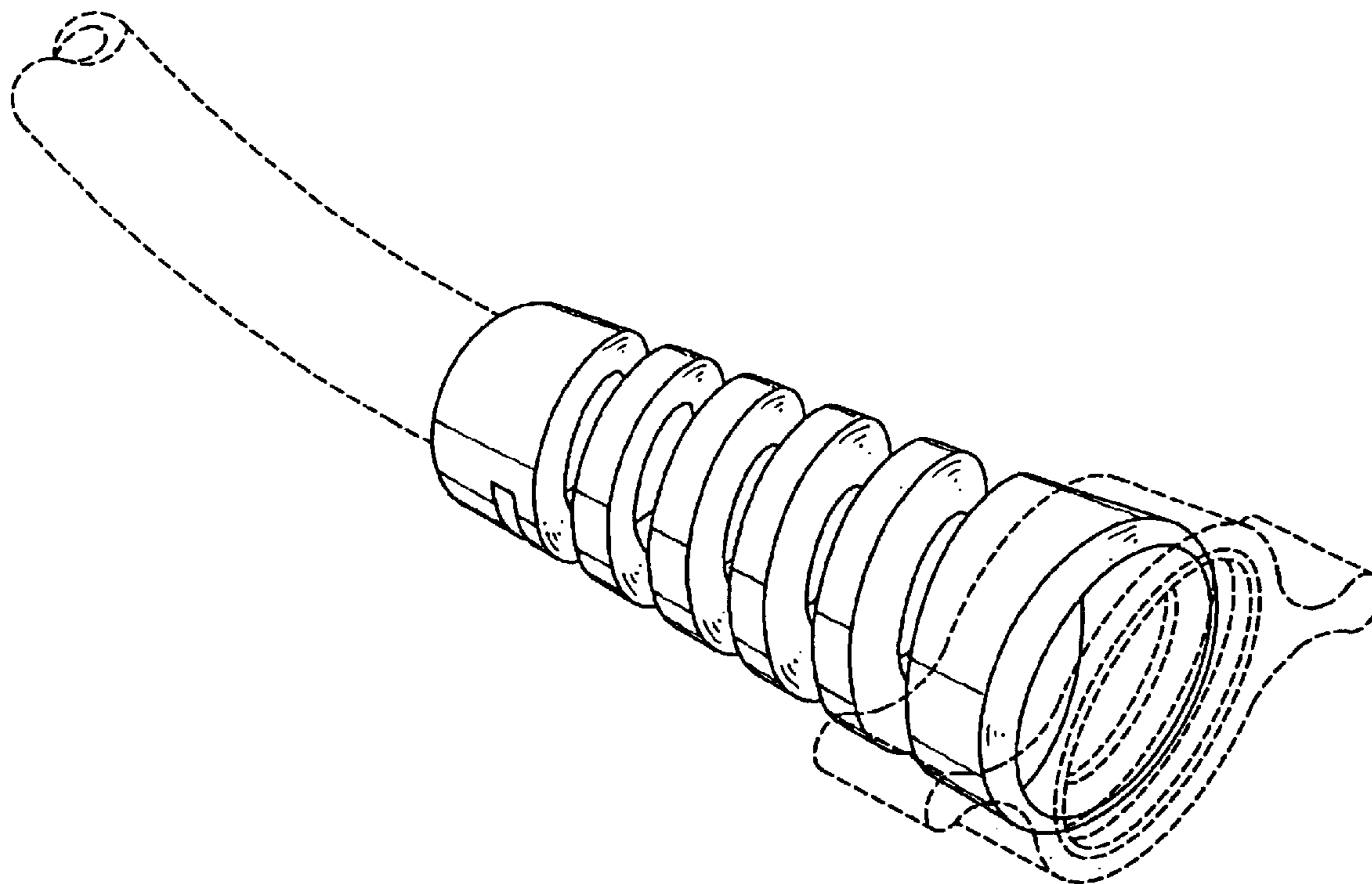
(56) **References Cited**

**U.S. PATENT DOCUMENTS**

3,088,756	A *	5/1963	May	.....	285/116
4,602,808	A *	7/1986	Herron et al.	.....	285/45
5,181,750	A *	1/1993	Reum	.....	285/38
6,435,564	B1 *	8/2002	Hohmann et al.	.....	285/115
6,779,269	B2 *	8/2004	Green et al.	.....	29/890.144

\* cited by examiner

**1 Claim, 4 Drawing Sheets**



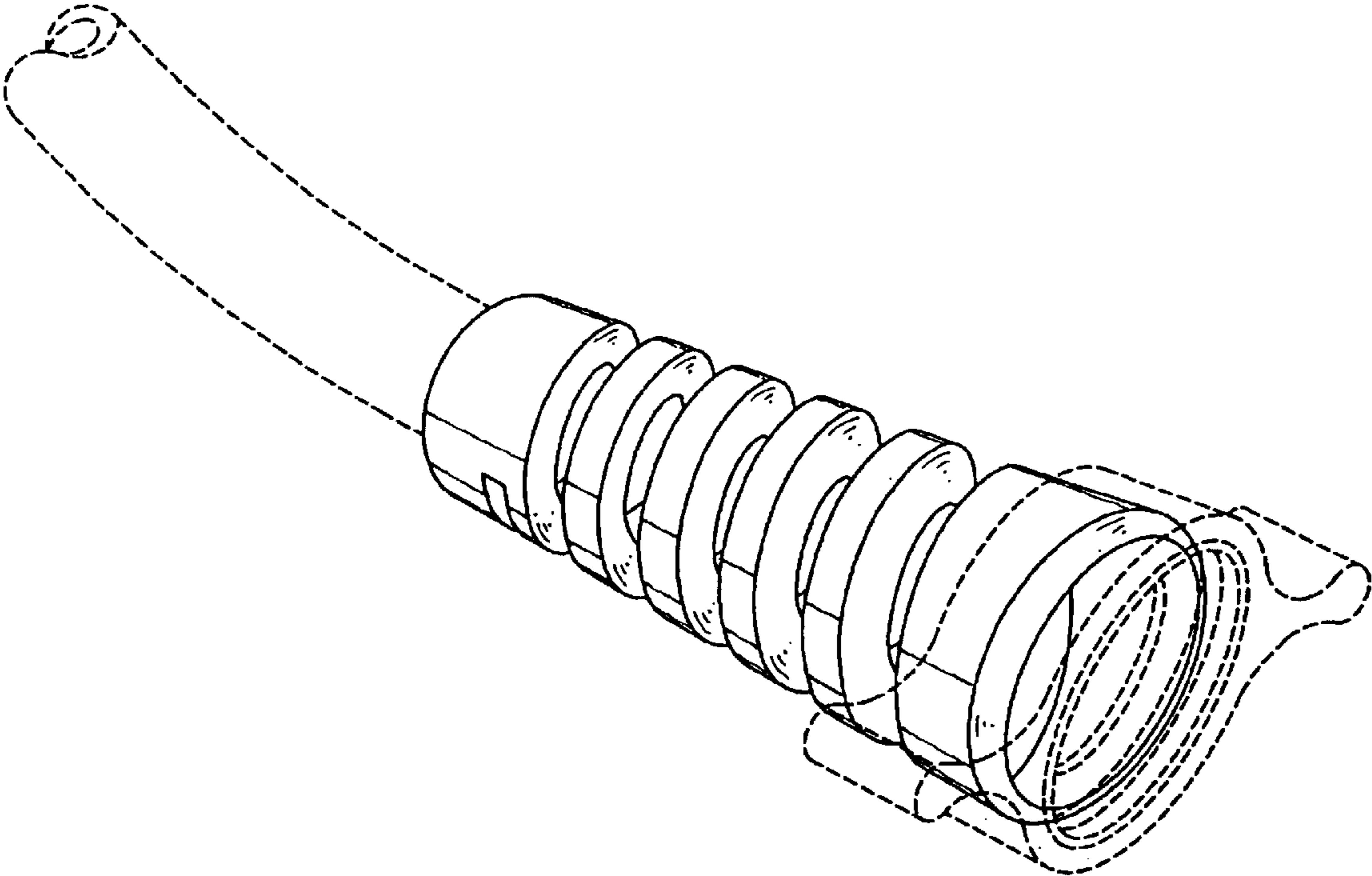


FIG. 1

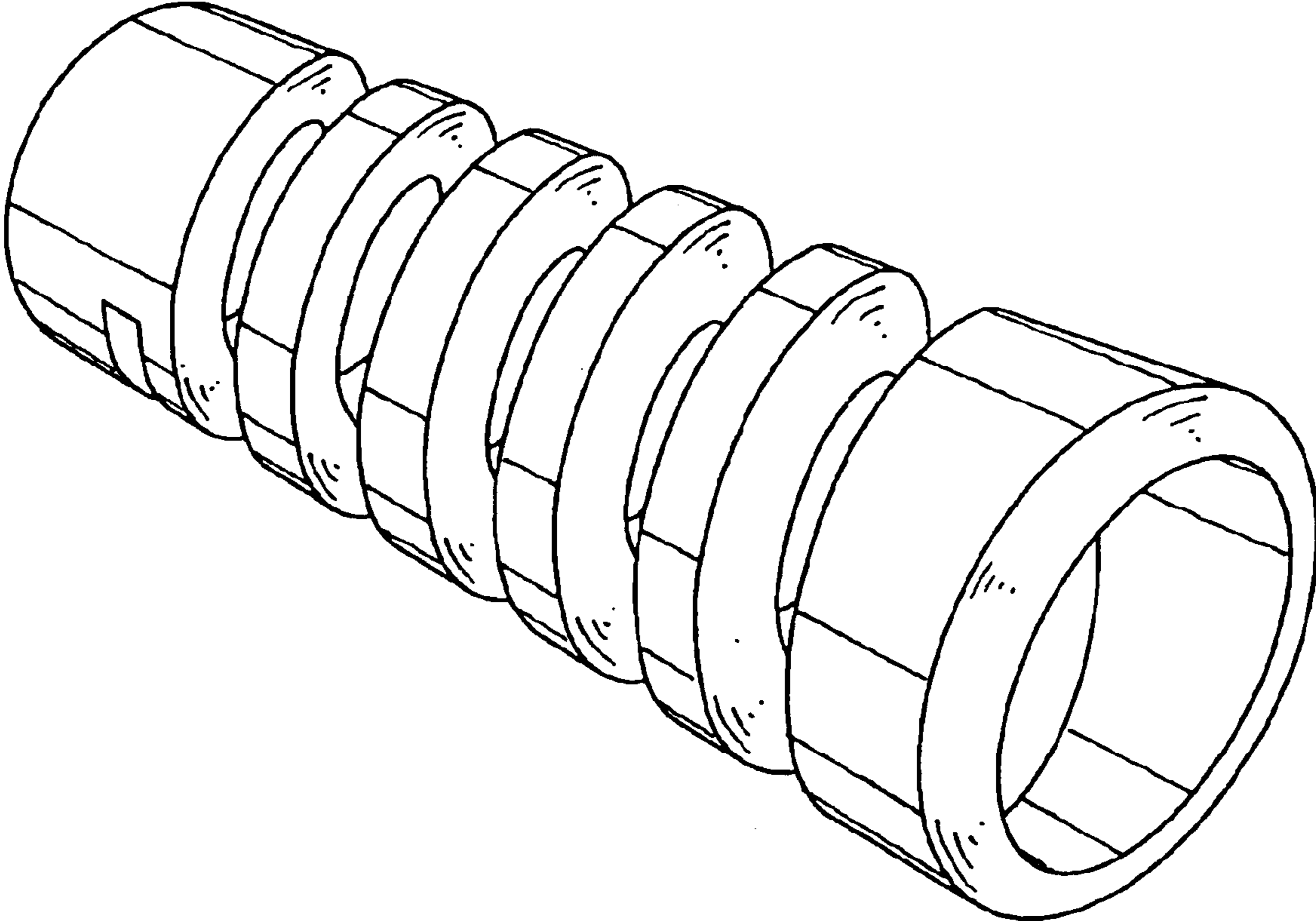


FIG. 2

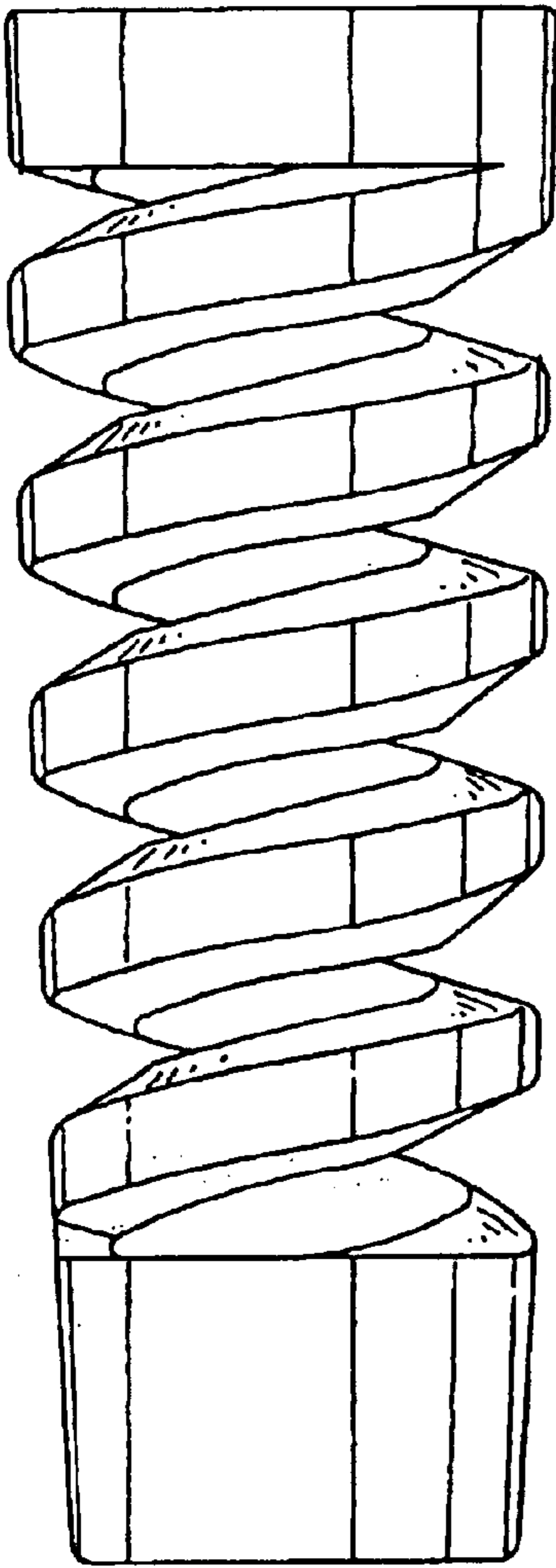


FIG. 3

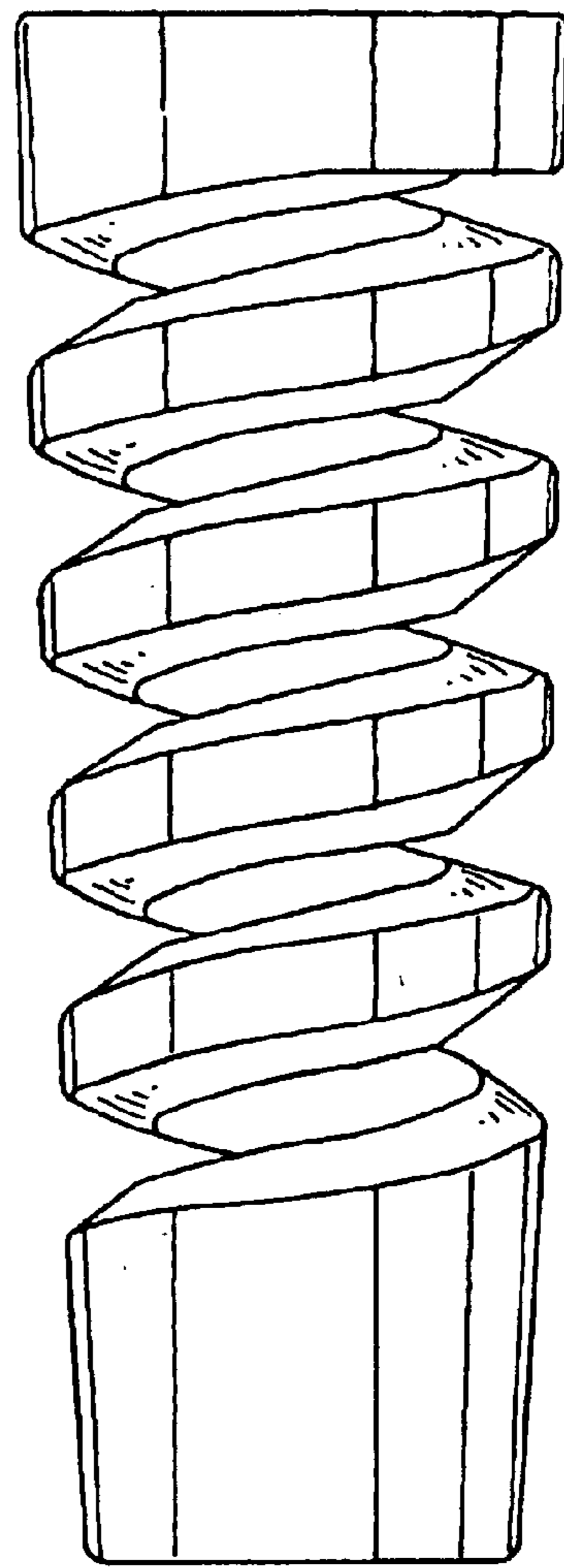


FIG. 4

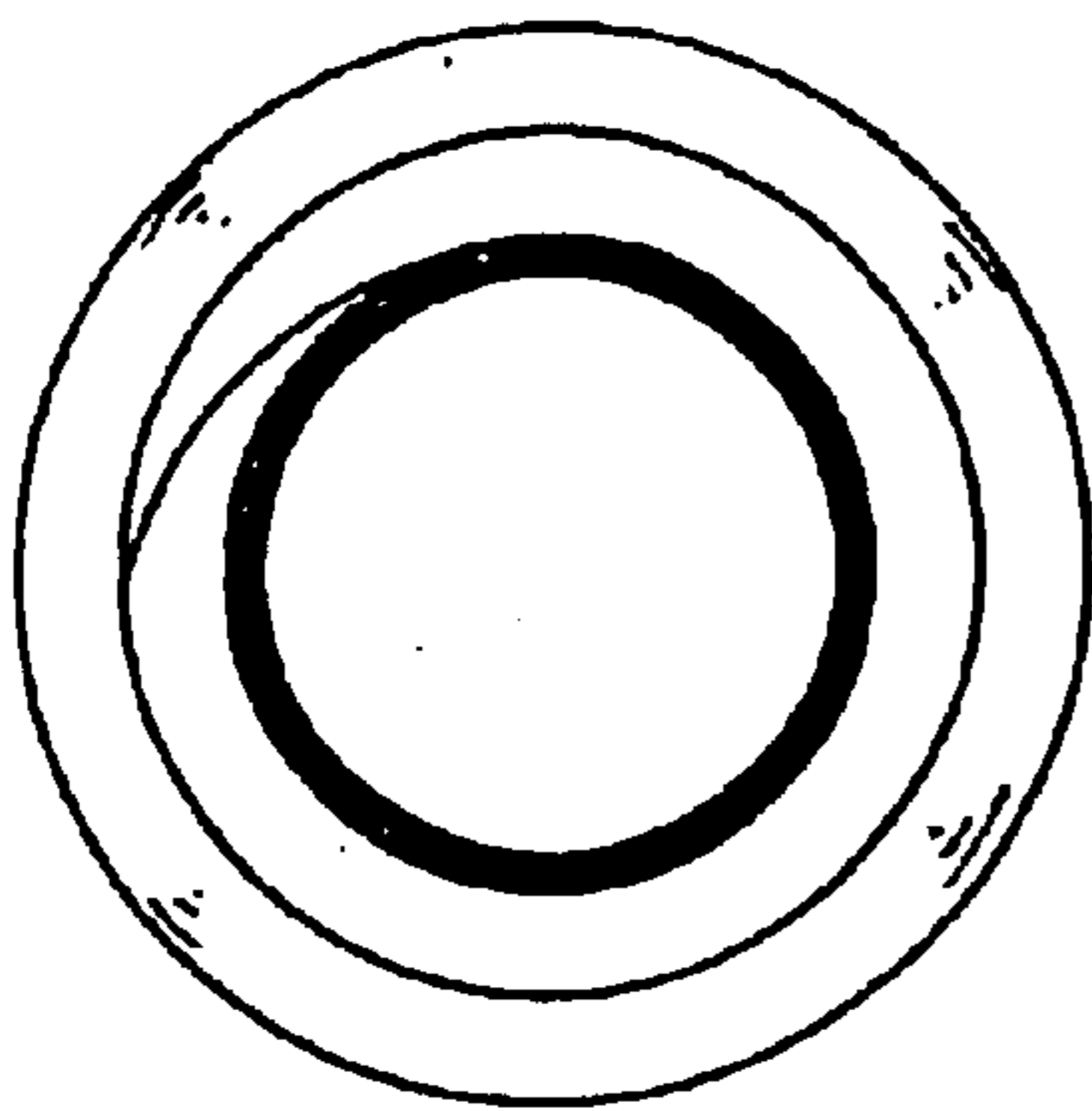


FIG. 5

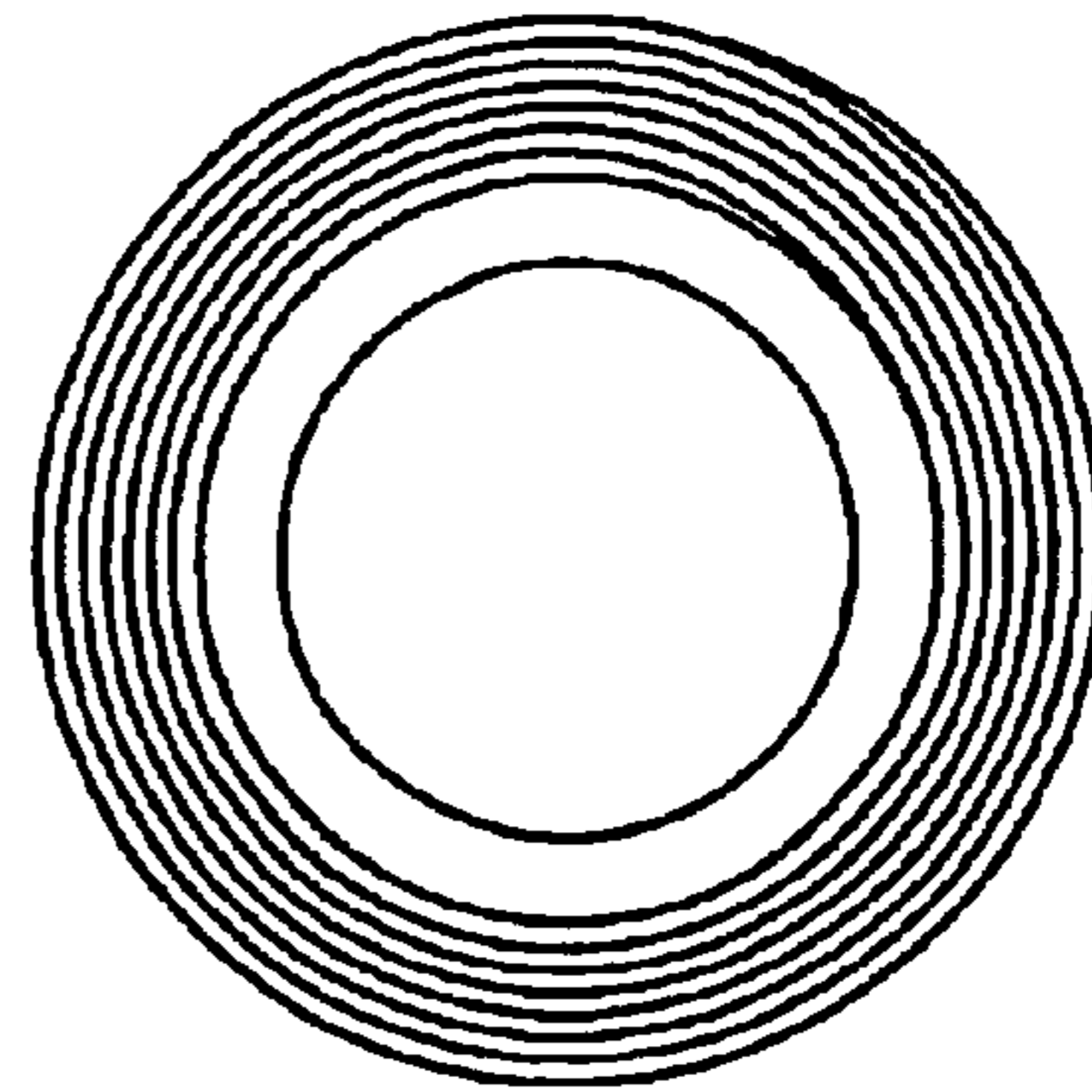


FIG. 6

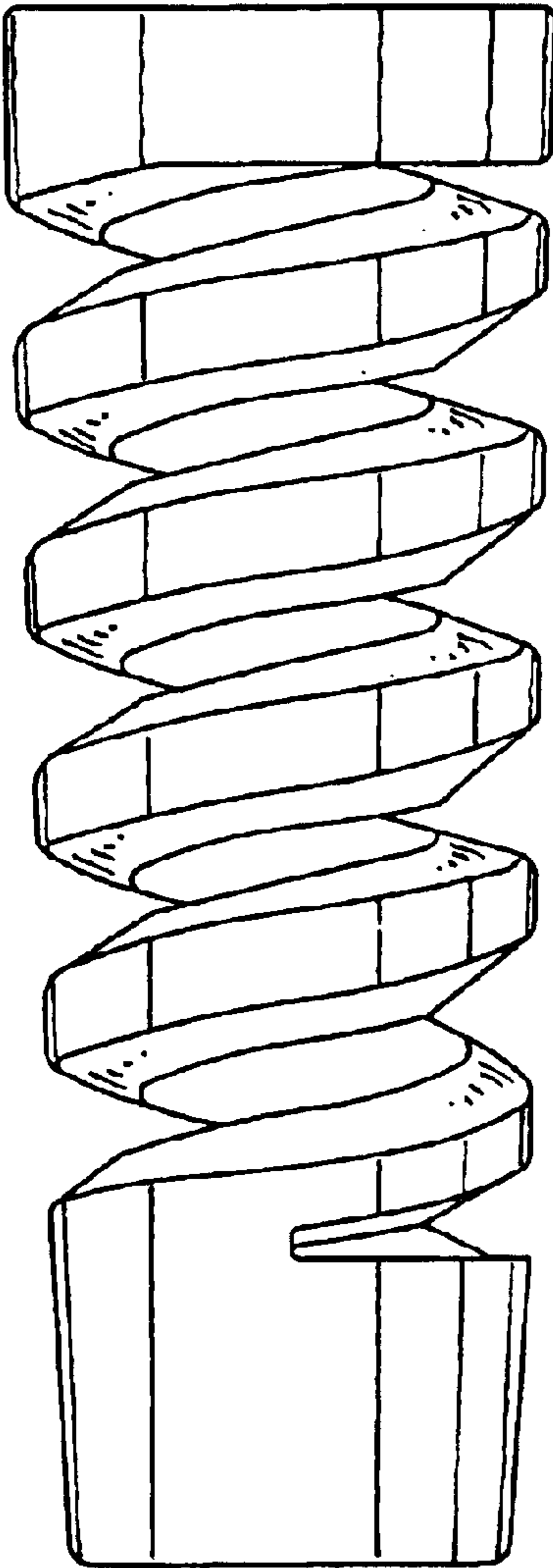


FIG. 7

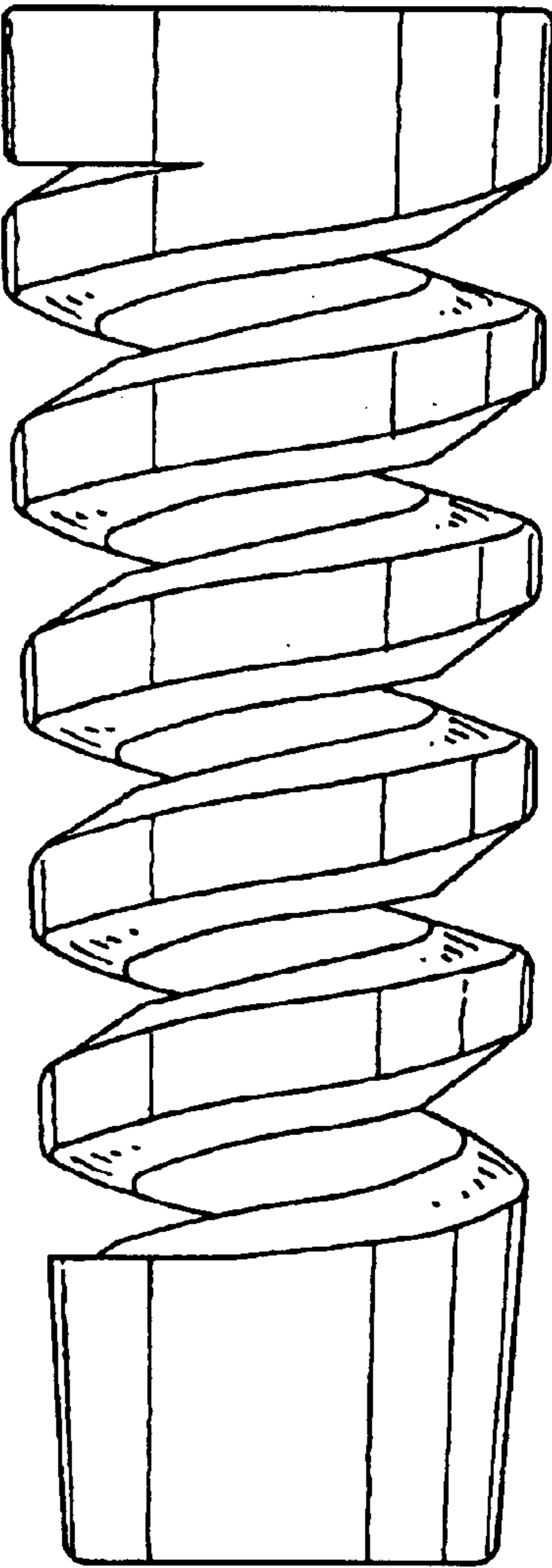


FIG. 8