

US00D501537S

(12) **United States Design Patent**  
**Zeng**

(10) **Patent No.:** **US D501,537 S**

(45) **Date of Patent:** **\*\* Feb. 1, 2005**

(54) **WATER SPRAYER GUN**

D465,550 S \* 11/2002 Wang ..... D23/226  
D470,220 S \* 2/2003 Nien ..... D23/226

(76) **Inventor:** **Heng Zhi Zeng**, No. 28, Lane 125, Wei  
Nan Rd., Ho-Mei Chen, Chang-Hua  
(TW)

\* cited by examiner

*Primary Examiner*—Robin V. Taylor

(74) *Attorney, Agent, or Firm*—Charles E. Baxley

(\*\*) **Term:** **14 Years**

(57) **CLAIM**

(21) **Appl. No.:** **29/194,763**

The ornamental design for a water sprayer gun, as shown  
and described.

(22) **Filed:** **Dec. 1, 2003**

(51) **LOC (7) Cl.** ..... **23-01**

(52) **U.S. Cl.** ..... **D23/226**

(58) **Field of Search** ..... D23/213, 223,  
D23/226; 239/525, 526, 527

**DESCRIPTION**

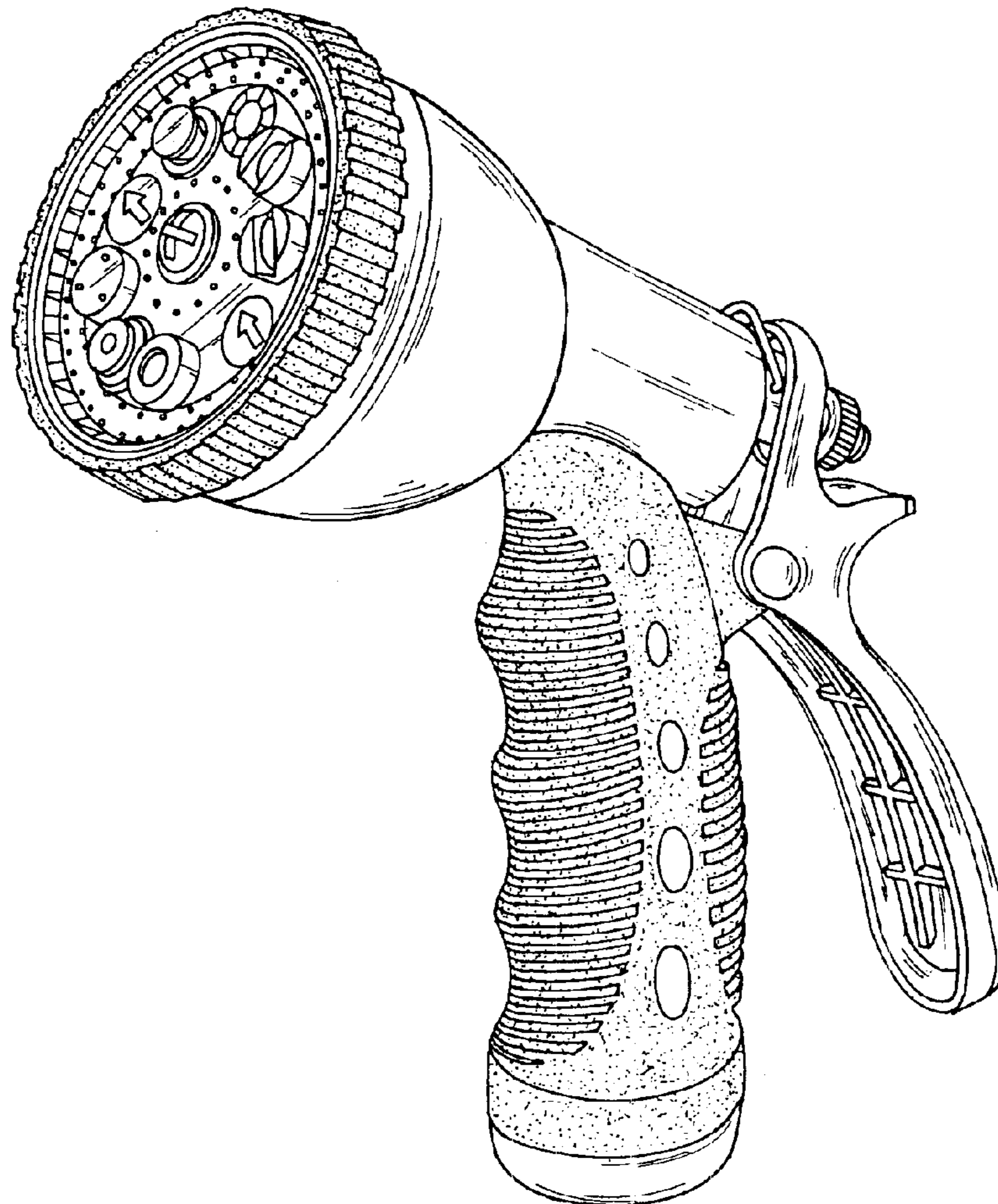
FIG. 1 is an upper perspective view of a water sprayer gun,  
showing my new design;  
FIG. 2 is a front view thereof;  
FIG. 3 is a left side view thereof;  
FIG. 4 is a right side view thereof;  
FIG. 5 is a top plan view thereof;  
FIG. 6 is a bottom plan view thereof; and,  
FIG. 7 is back view thereof.

(56) **References Cited**

**U.S. PATENT DOCUMENTS**

D446,283 S \* 8/2001 Wang ..... D23/226  
D452,297 S \* 12/2001 Chao ..... D23/226  
D453,371 S \* 2/2002 Wang ..... D23/226  
D453,814 S \* 2/2002 Wang ..... D23/226

**1 Claim, 6 Drawing Sheets**



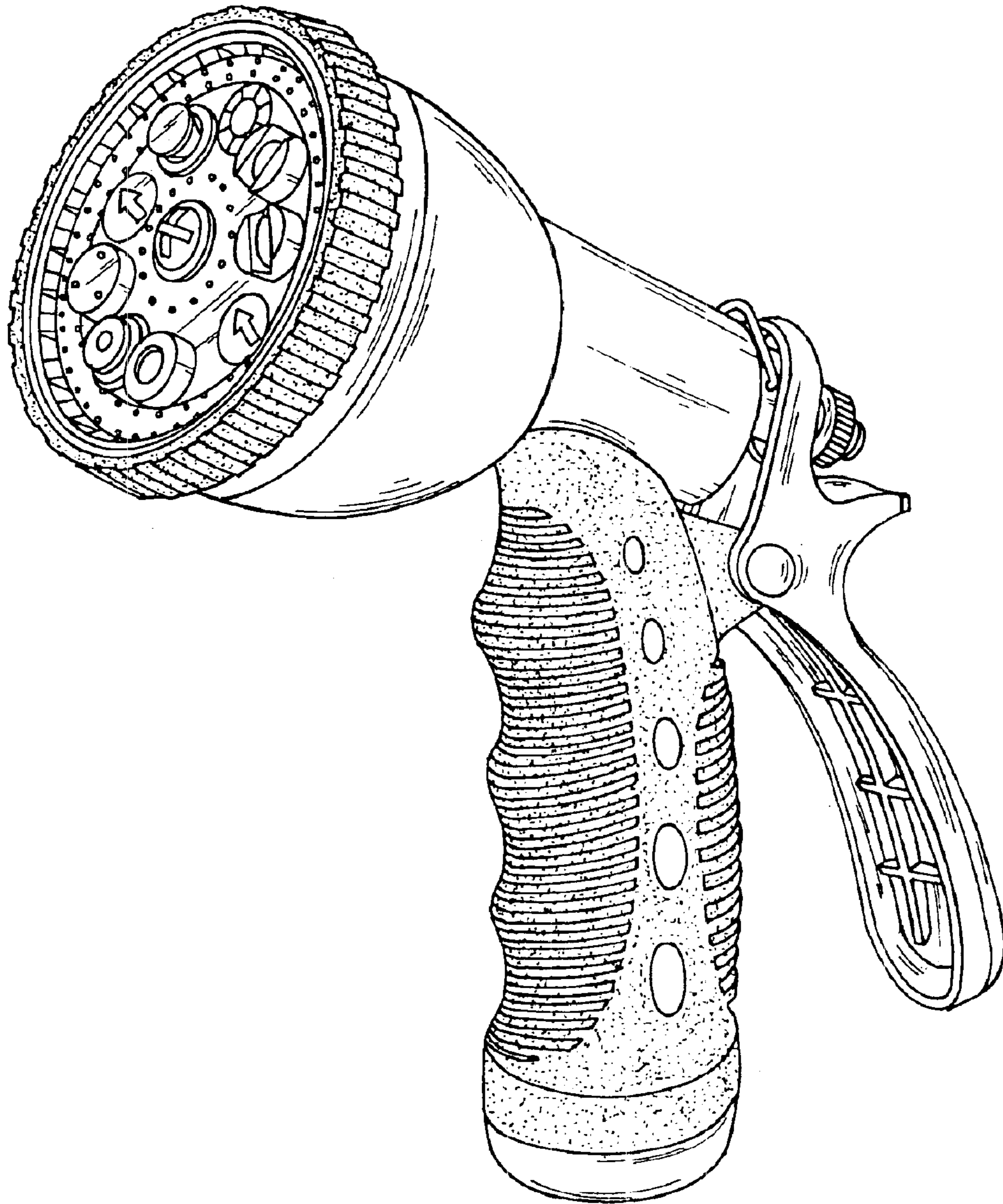


FIG. 1

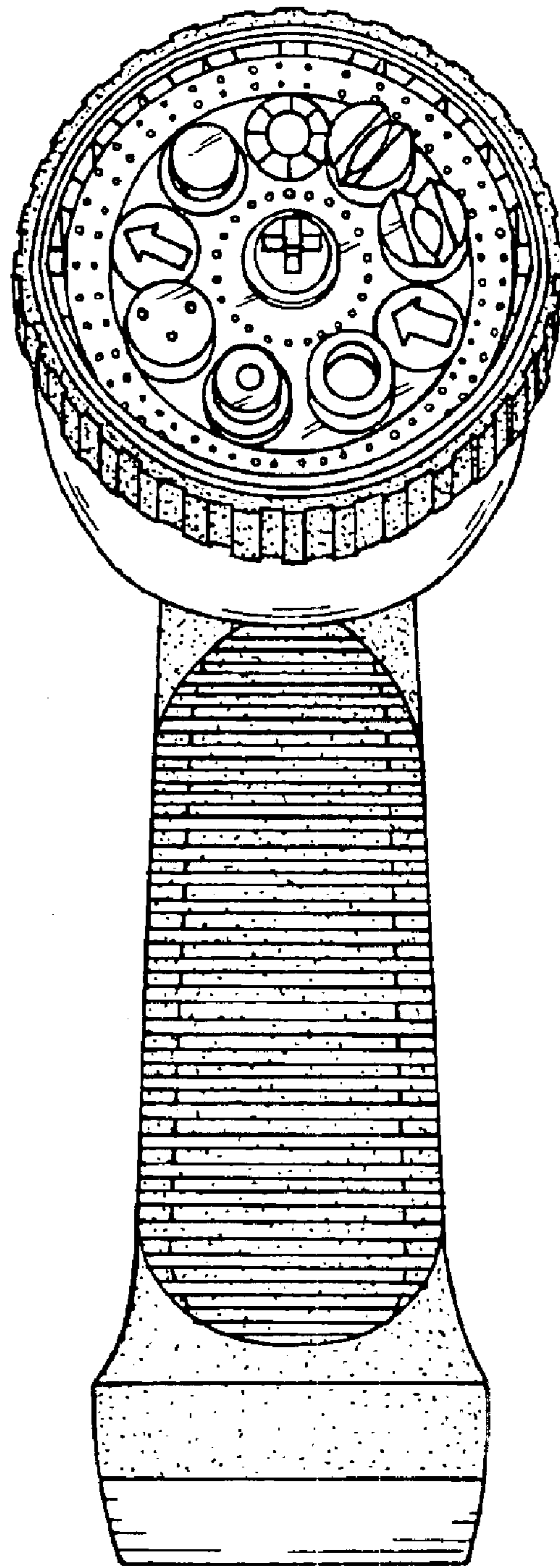


FIG. 2



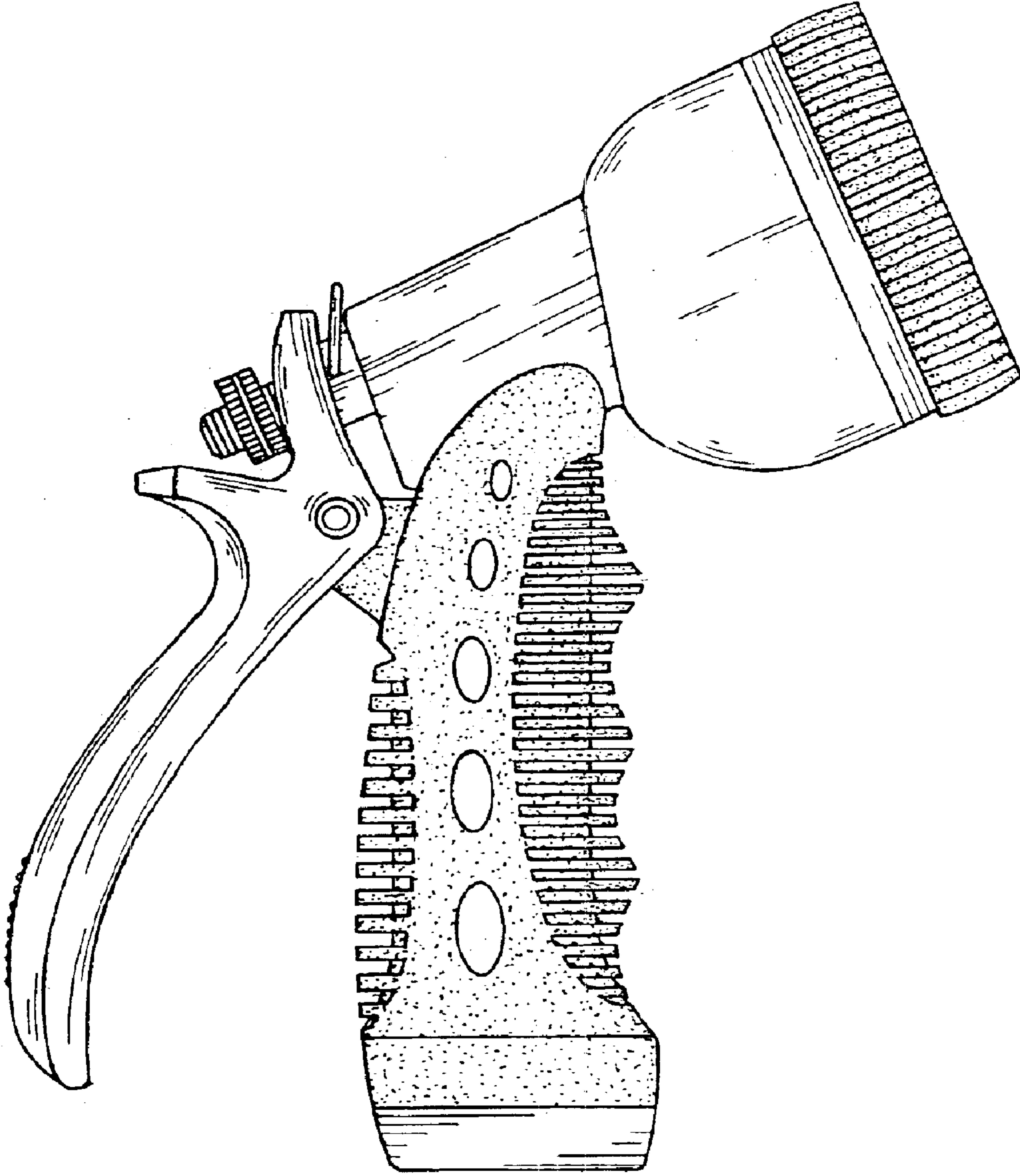


FIG. 3

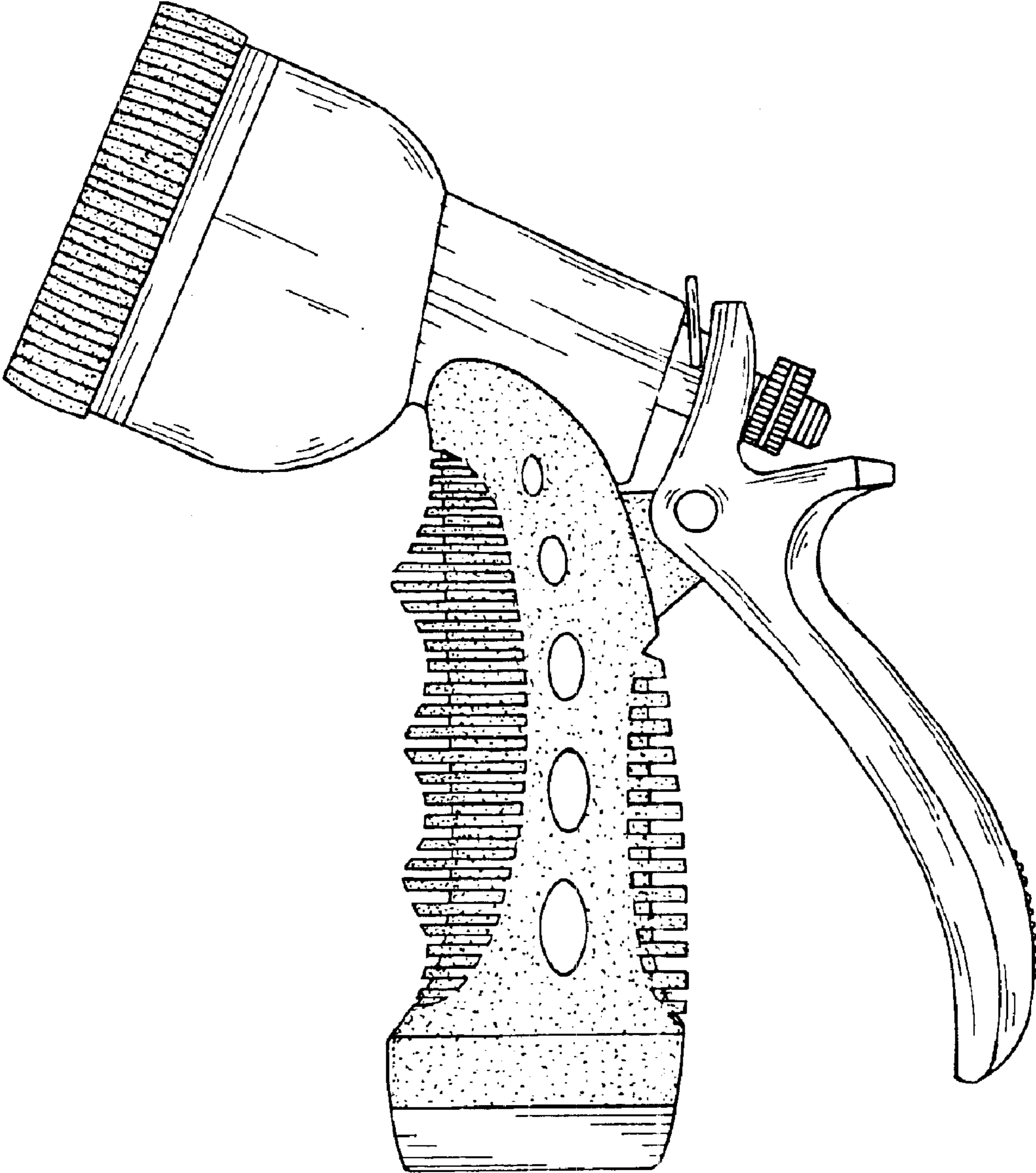


FIG. 4

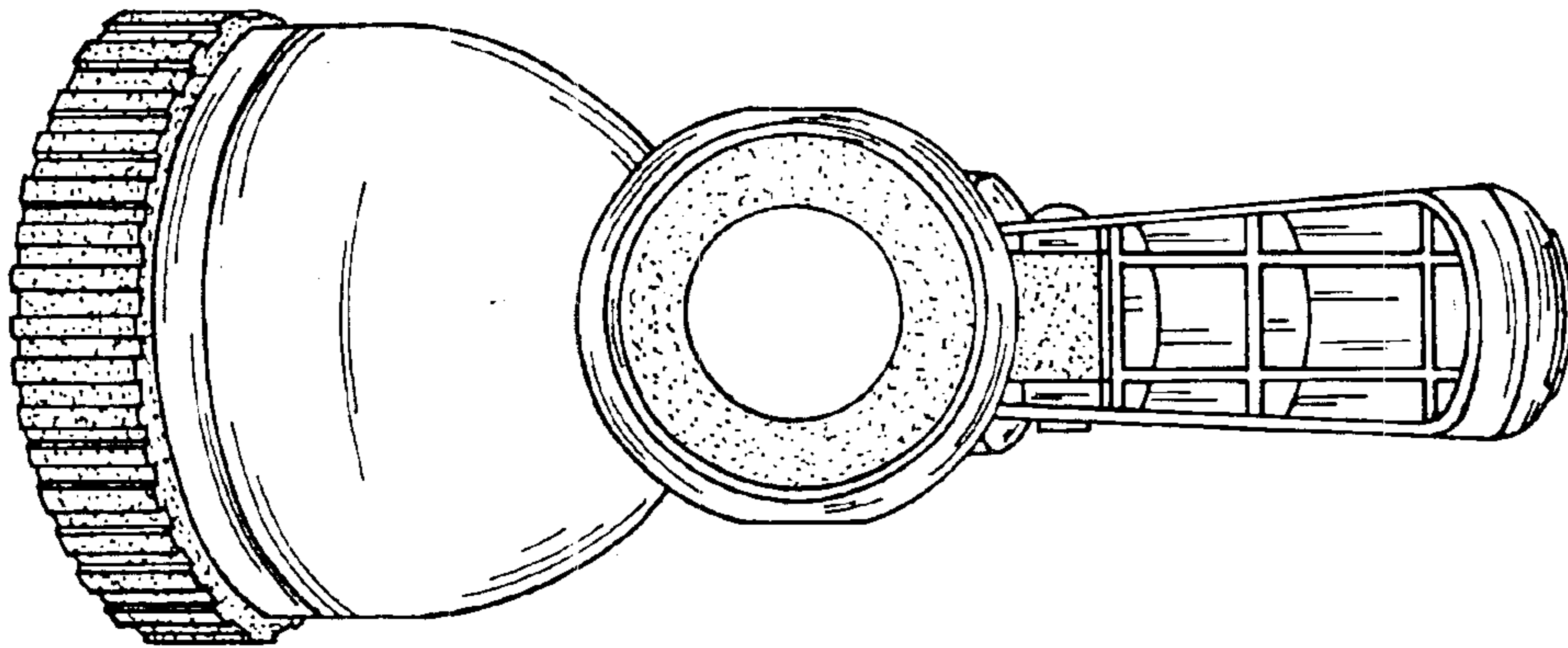


FIG. 6

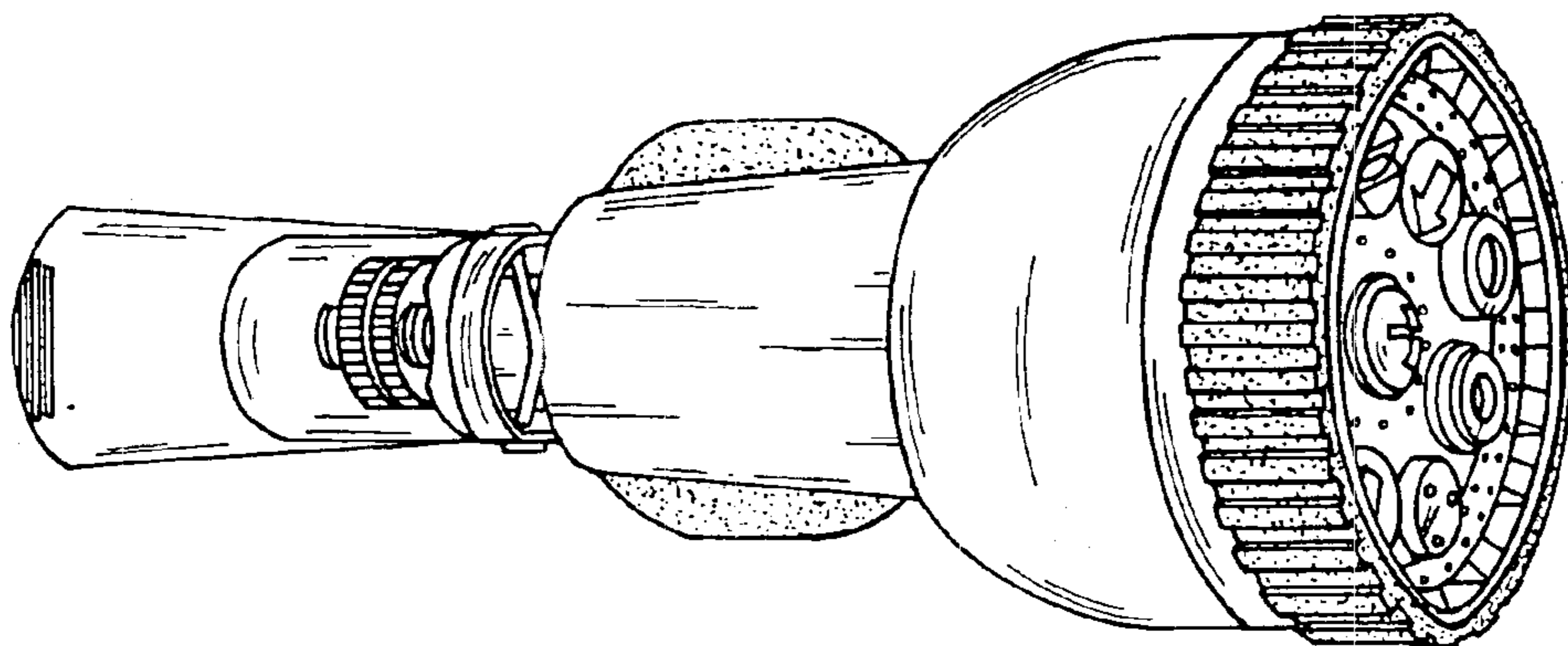


FIG. 5

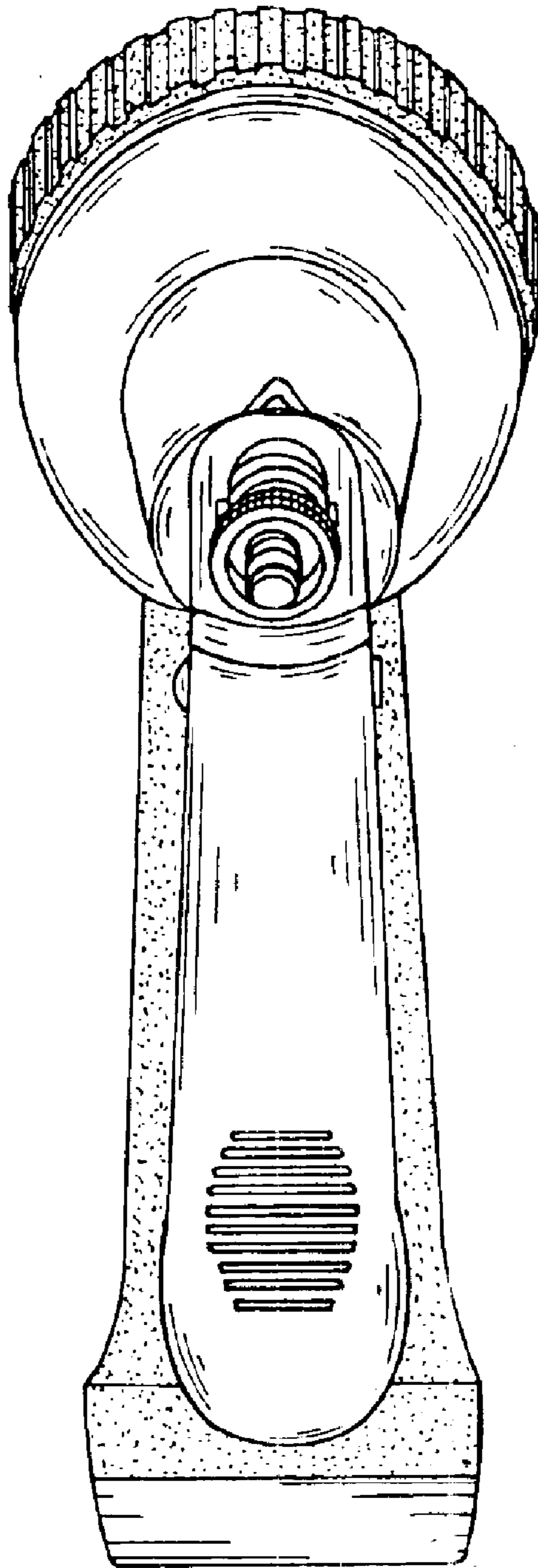


FIG.7