

US00D501533S

(12) **United States Design Patent** (10) **Patent No.:** **US D501,533 S**
Robinson et al. (45) **Date of Patent:** **** Feb. 1, 2005**

(54) **FILTER DEVICE FOR RAINWATER DOWNPIPES**

5,681,455 A * 10/1997 Takai et al. 210/154
 5,709,051 A * 1/1998 Mazziotti 52/12
 6,406,620 B1 * 6/2002 Rogers 210/155

(76) Inventors: **Haydon Robinson**, Little Woodman, Courtaulds, Langley Road, Chipperfield, Hertfordshire, WD4 9JR (GB); **Colin Thomas Sullivan**, Little Woodman, Courtaulds, Langley Road, Chipperfield, Hertfordshire, WD4 9JR (GB)

* cited by examiner

Primary Examiner—Robin V. Taylor
 (74) *Attorney, Agent, or Firm*—Hayes Soloway P.C.

(**) Term: **14 Years**

(57) **CLAIM**

The ornamental design for a filter device for rainwater downpipes, as shown and described.

(21) Appl. No.: **29/174,897**

DESCRIPTION

(22) Filed: **Jan. 27, 2003**

(30) **Foreign Application Priority Data**

Jul. 27, 2002 (GB) 3005725

(51) **LOC (7) Cl.** **23-01**

(52) **U.S. Cl.** **D23/209; D23/268**

(58) **Field of Search** **D23/200, 207, D23/209; 210/155, 162; 52/12, 16**

FIG. 1 is an exploded perspective view of a filter device for raindrop downpipes showing our new design. The broken line showing is for illustrative purposes only and forming no part of the design;

FIG. 2 is a front view of the filter device as shown in FIG. 1, with the components assembled together;

FIG. 3 is a perspective view of the upper section of the filter device body;

FIG. 4 is a perspective view of the middle section of the filter device body; and,

FIG. 5 is a perspective view of the lower section of the filter device body.

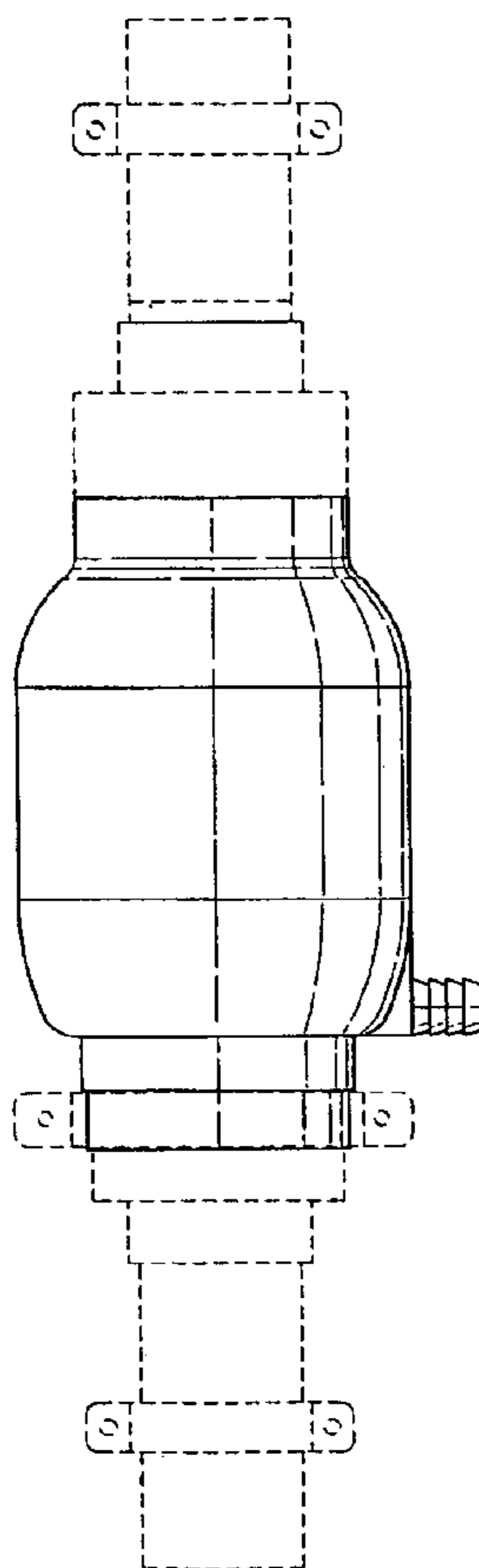
(56) **References Cited**

U.S. PATENT DOCUMENTS

2,669,197 A * 2/1954 Duzer 210/162

4,801,377 A * 1/1989 Bolt 210/162

1 Claim, 2 Drawing Sheets



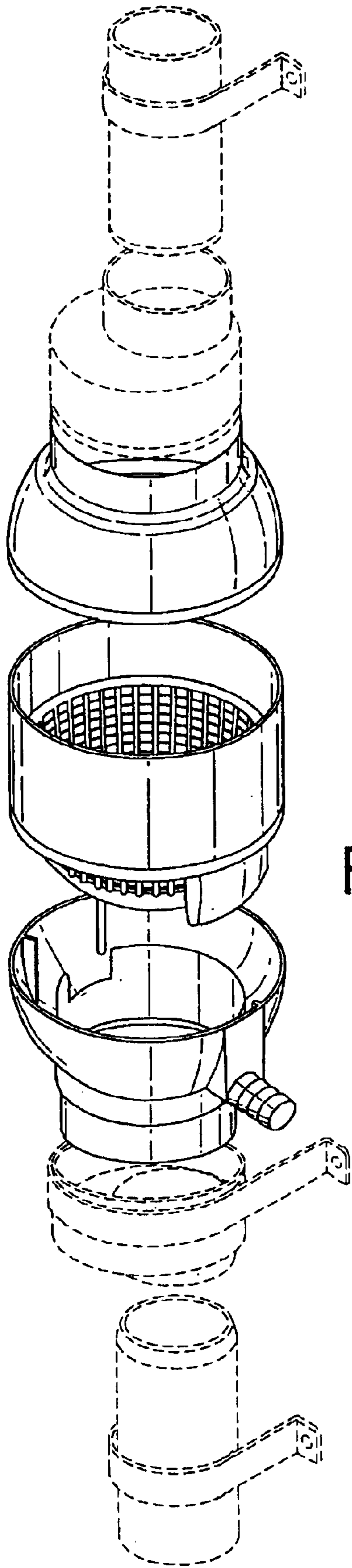


Fig. 1

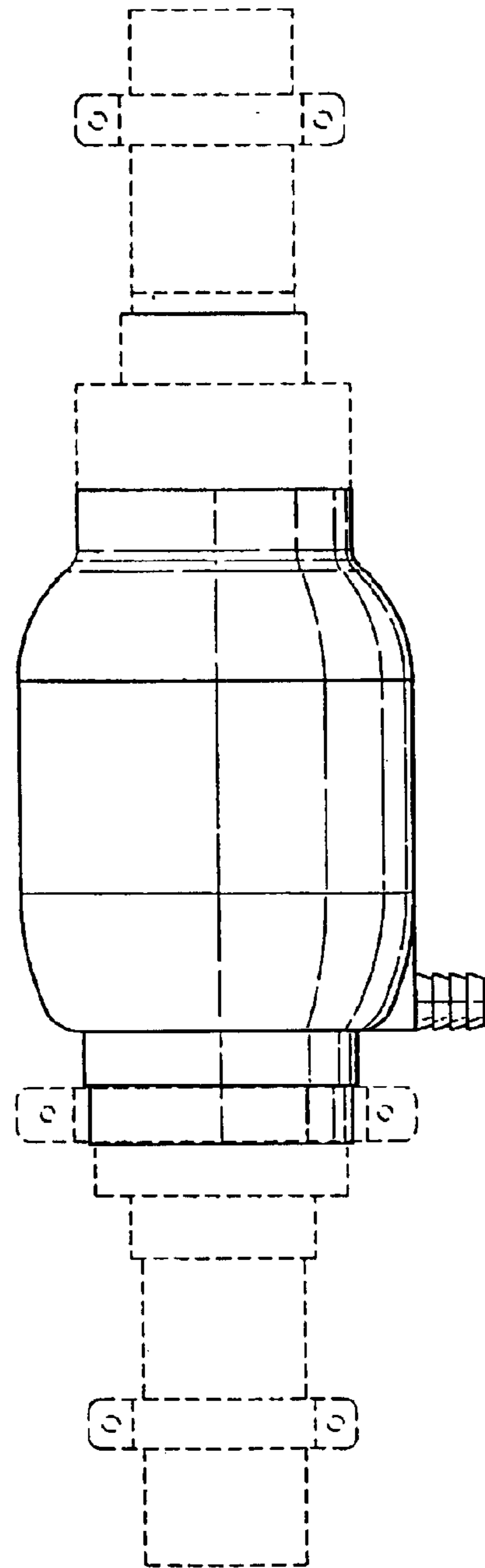


Fig. 2

Fig. 3

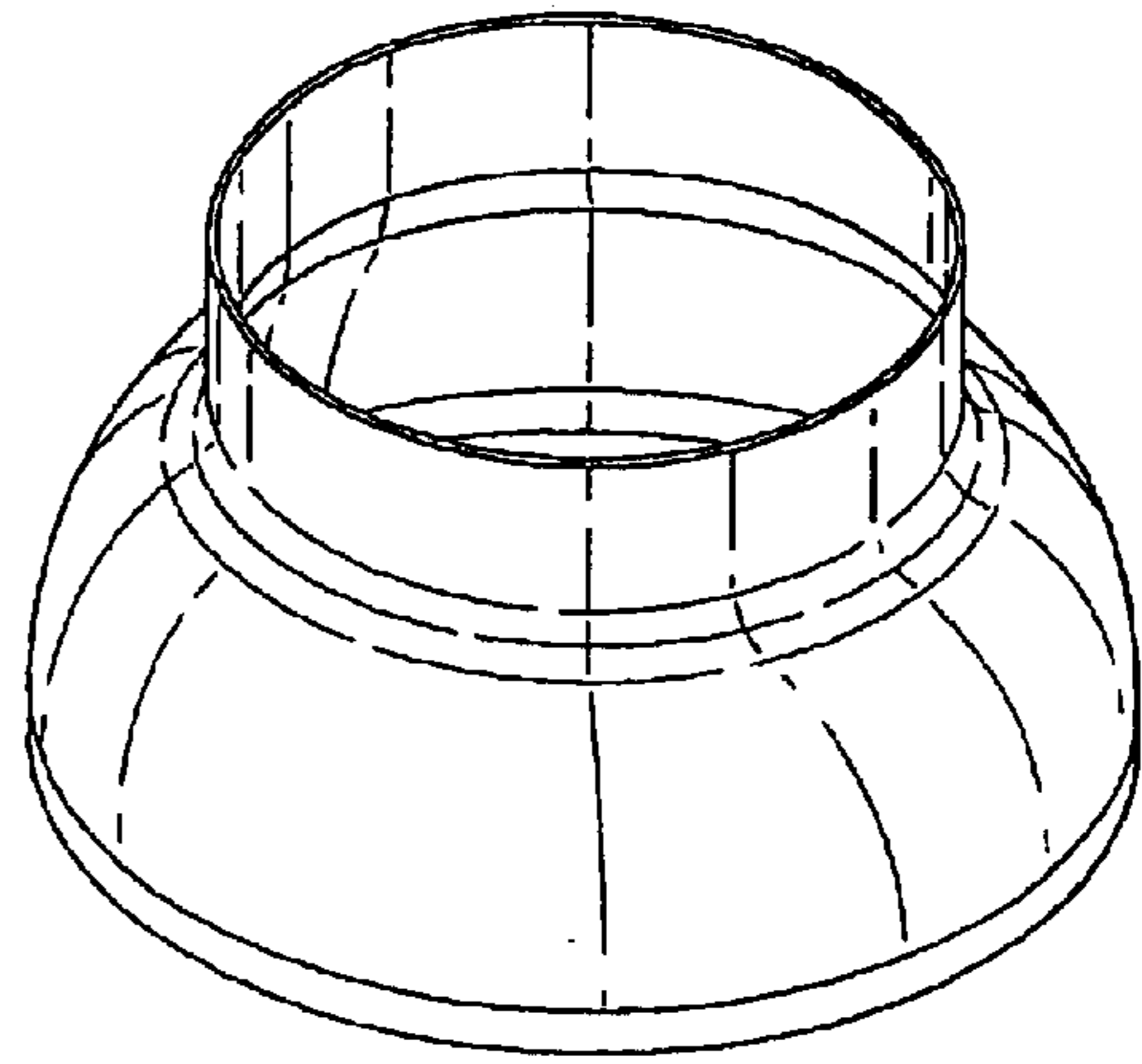


Fig. 4

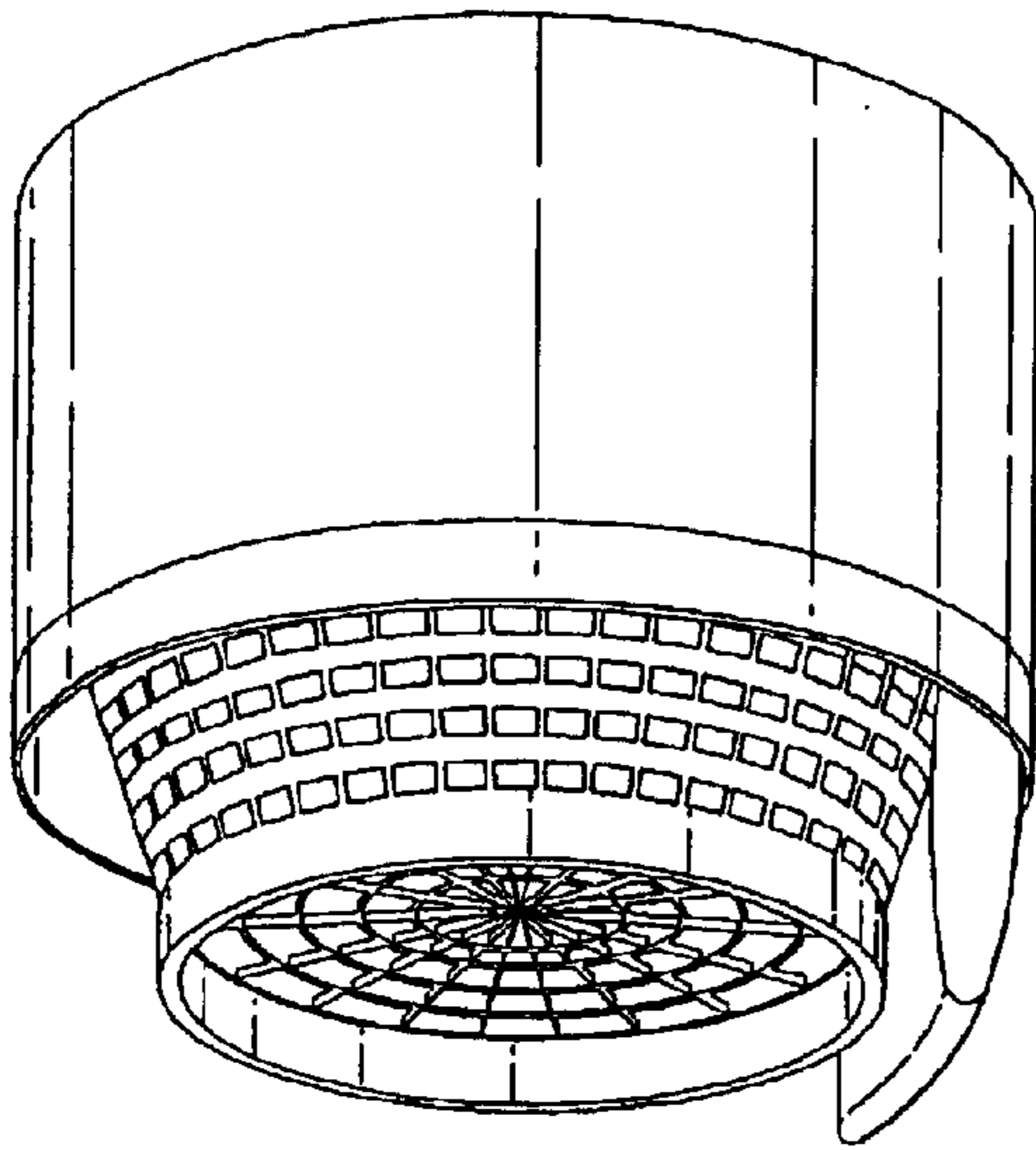


Fig. 5

