

US00D501531S

(12) **United States Design Patent**
Lee

(10) **Patent No.:** **US D501,531 S**
(45) **Date of Patent:** **** Feb. 1, 2005**

(54) **LINE GUIDING WHEEL FOR FISHING RODS**

D495,025 S * 8/2004 Malcarne D22/143

* cited by examiner

(76) Inventor: **Tsung-Seng Lee**, No. 8, Lane 264,
Ching-Nien Rd., Tainan City (TW)

Primary Examiner—Catherine R. Oliver
(74) *Attorney, Agent, or Firm*—Birch, Stewart, Kolasch &
Birch, LLP

(**) Term: **14 Years**

(57) **CLAIM**

(21) Appl. No.: **29/200,064**

The ornamental design for “line guiding wheel for fishing rods,” as shown and described.

(22) Filed: **Feb. 24, 2004**

(51) **LOC (7) Cl.** **22-05**

DESCRIPTION

(52) **U.S. Cl.** **D22/143**

(58) **Field of Search** D22/143, 138,
D22/149, 199; 43/24

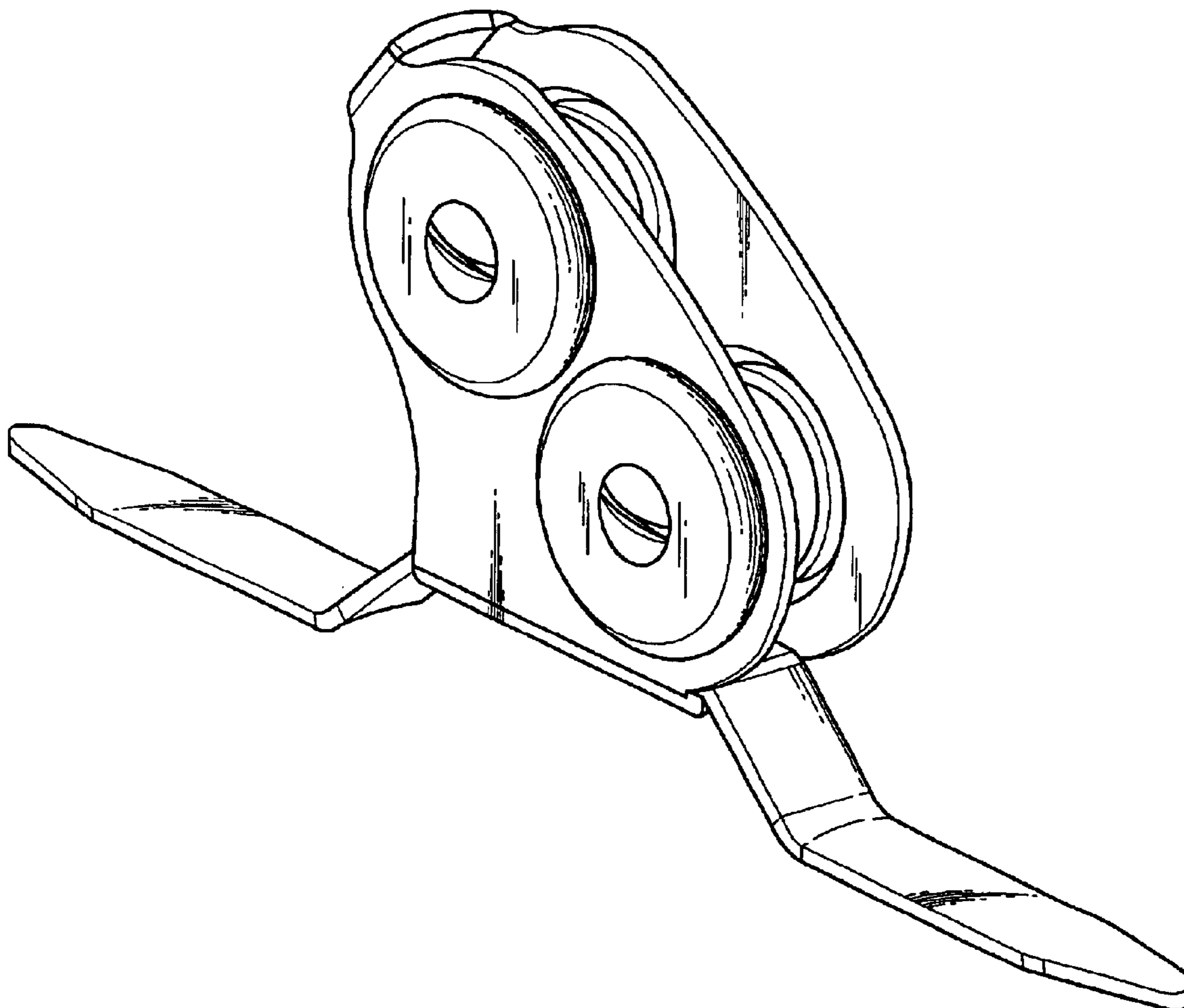
FIG. 1 is a perspective view of “line guiding wheel for fishing rods” showing our new design thereof;
FIG. 2 is a front elevational view thereof;
FIG. 3 is a rear elevational view thereof;
FIG. 4 is a left side elevational view thereof;
FIG. 5 is a right side elevational view thereof;
FIG. 6 is a top plan view thereof; and,
FIG. 7 is a bottom plan view thereof.

(56) **References Cited**

U.S. PATENT DOCUMENTS

D292,115 S	*	9/1987	Ziemelis	D22/143
D292,116 S	*	9/1987	Ziemelis	D22/143
D425,964 S	*	5/2000	Lin	D22/143
D439,301 S	*	3/2001	Lin	D22/143

1 Claim, 4 Drawing Sheets



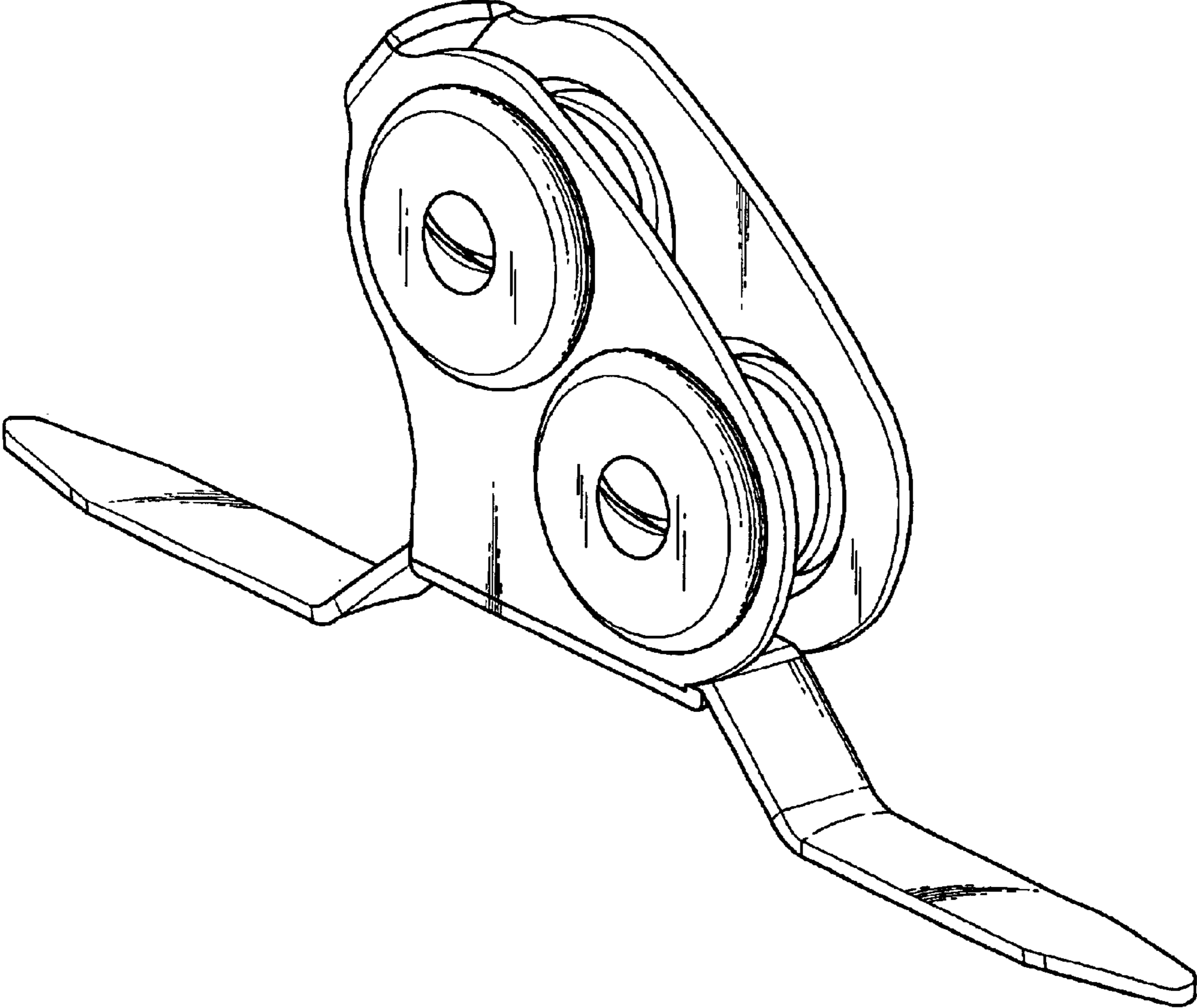


Fig. 1

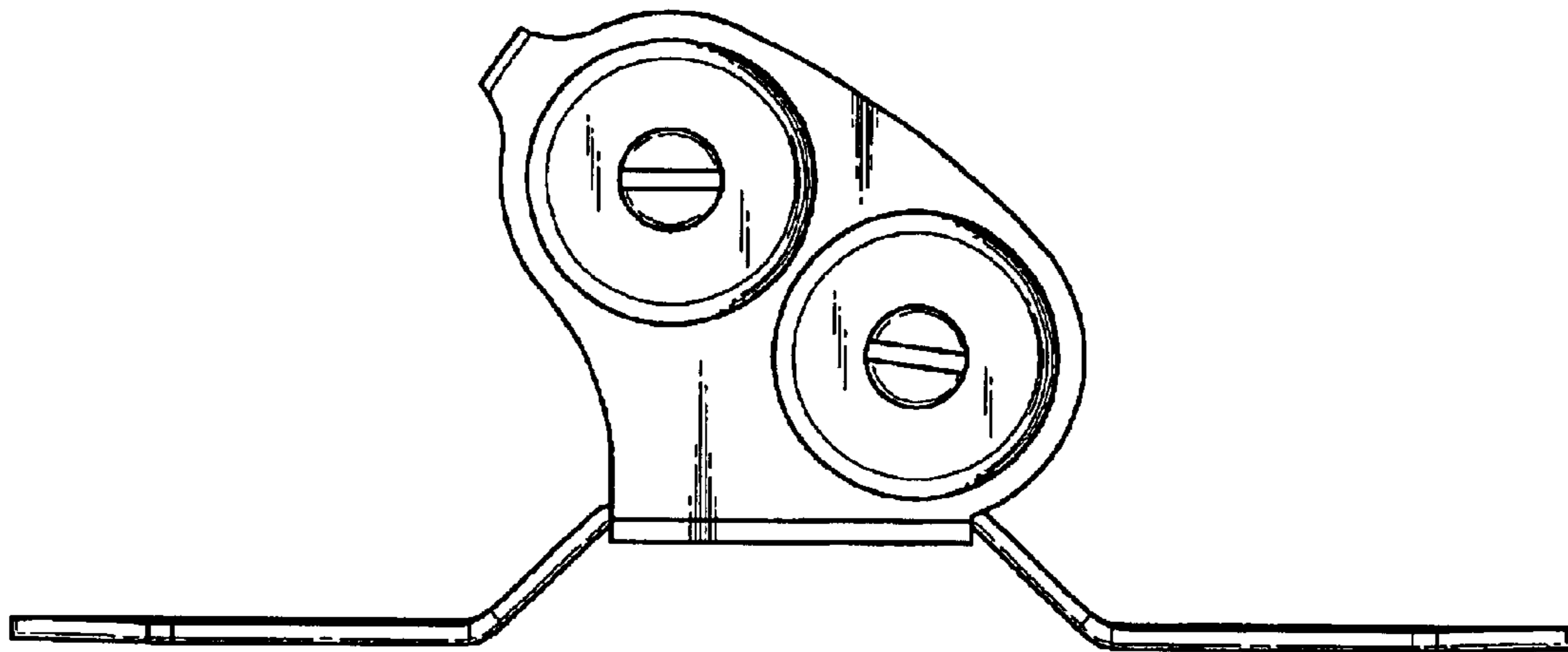


Fig. 2

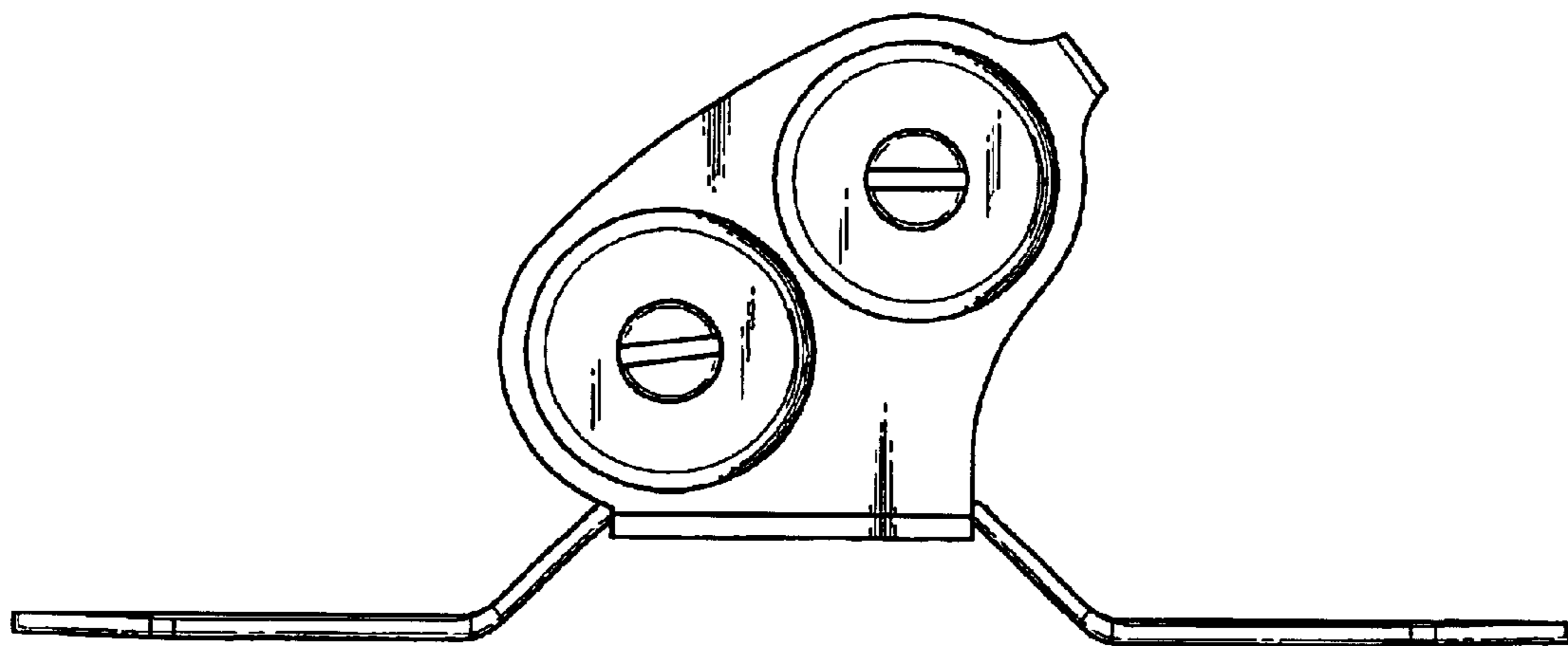


Fig. 3

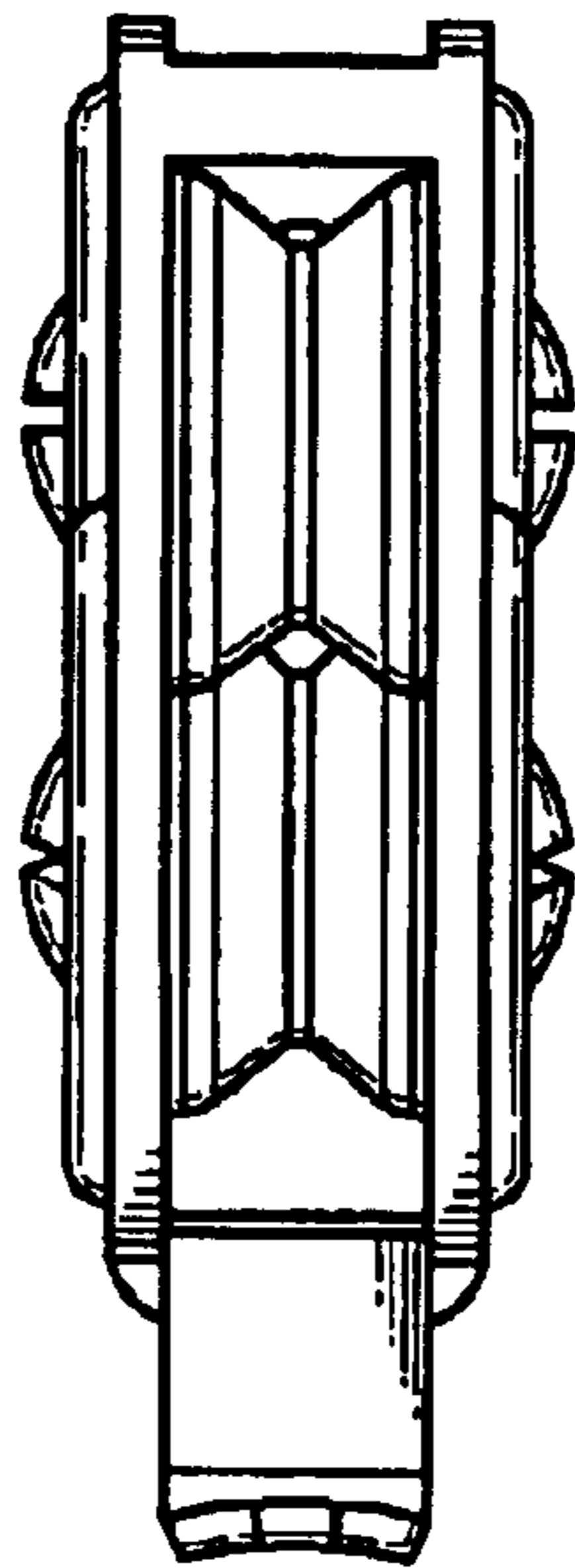


Fig. 4

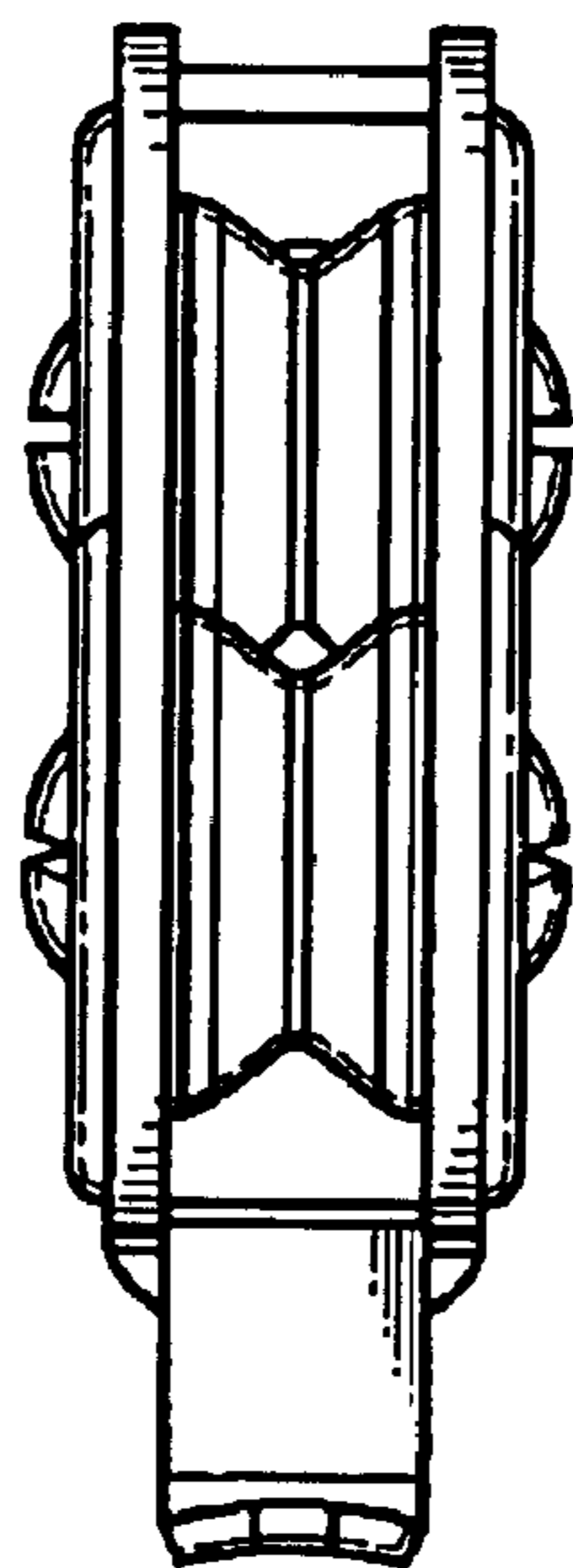


Fig. 5

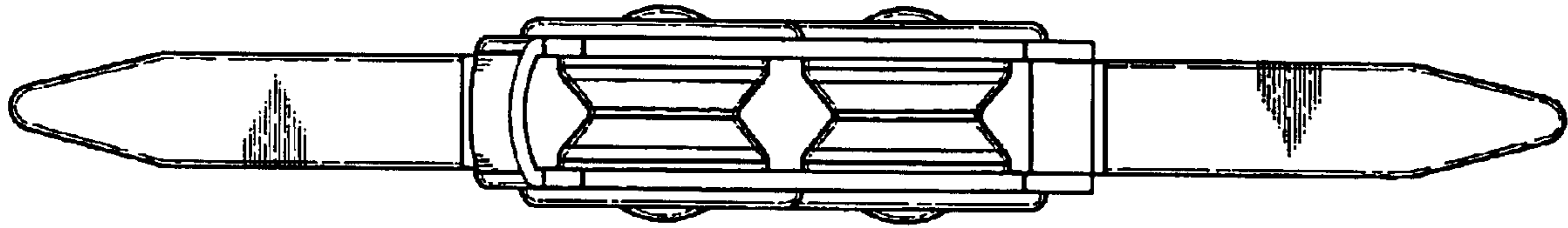


Fig. 6

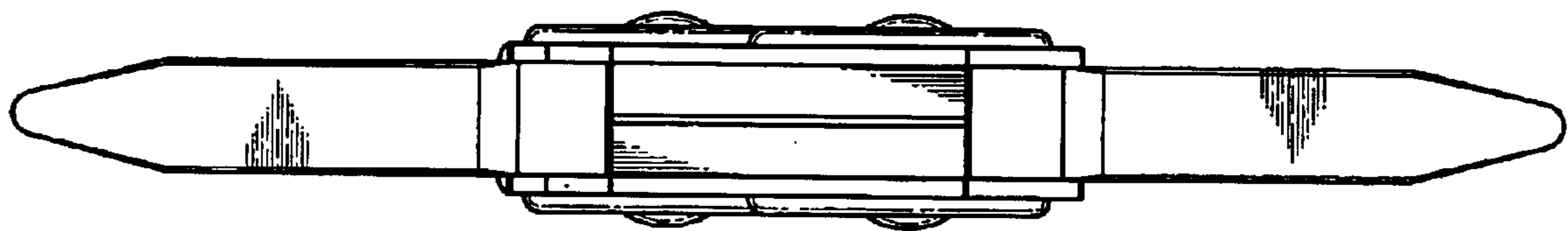


Fig. 7