

US00D501529S

(12) **United States Design Patent**  
**Iwabuchi**

(10) **Patent No.:** **US D501,529 S**  
(45) **Date of Patent:** **\*\* Feb. 1, 2005**

(54) **END PORTION OF FISHING REEL**

(75) **Inventor:** **Masakazu Iwabuchi**, Tondabayashi (JP)

(73) **Assignee:** **Shimano Inc.**, Osaka (JP)

(\*\*) **Term:** **14 Years**

(21) **Appl. No.:** **29/195,653**

(22) **Filed:** **Dec. 17, 2003**

(30) **Foreign Application Priority Data**

Jun. 30, 2003 (JP) ..... 2003-018665

(51) **LOC (7) Cl.** ..... **22-05**

(52) **U.S. Cl.** ..... **D22/141**

(58) **Field of Search** ..... D22/141, 140,  
D22/137; 242/223, 224, 234, 370, 311,  
322

(56) **References Cited**

**U.S. PATENT DOCUMENTS**

- D405,154 S \* 2/1999 Iwabuchi ..... D22/141
- D423,635 S \* 4/2000 Robbins ..... D22/141
- D443,019 S \* 5/2001 Kang et al. .... D22/141
- 6,629,655 B2 \* 10/2003 Kitajima ..... 242/311
- 2004/0075004 A1 \* 4/2004 Miyasaka et al. .... 242/223

\* cited by examiner

*Primary Examiner*—Catherine R. Oliver  
(74) *Attorney, Agent, or Firm*—Shinju Global IP Counselors, LLP

(57) **CLAIM**

The ornamental design for an end portion of fishing reel, as shown and described.

**DESCRIPTION**

FIG. 1 is a front view of an end portion of fishing reel in accordance with my new design;

FIG. 2 is a rear view of the end portion of fishing reel;

FIG. 3 is a right side view of the end portion of fishing reel;

FIG. 4 is a top plan view of the end portion of fishing reel;

FIG. 5 is a bottom plan view of the end portion of fishing reel;

FIG. 6 is a perspective view of the end portion of fishing reel viewed from above;

FIG. 7 is a left side perspective view of the end portion of fishing reel viewed from below;

FIG. 8 is a cross sectional view of the end portion of the fishing reel shown along line 8—8 of FIG. 3; and,

FIG. 9 is a cross sectional view of the end portion of the fishing reel shown along line 9—9 of FIG. 4.

The broken line showing the environment of the end portion of fishing reel in the Figures is for illustrative purposes only, and forms no part of the claimed design.

**1 Claim, 4 Drawing Sheets**

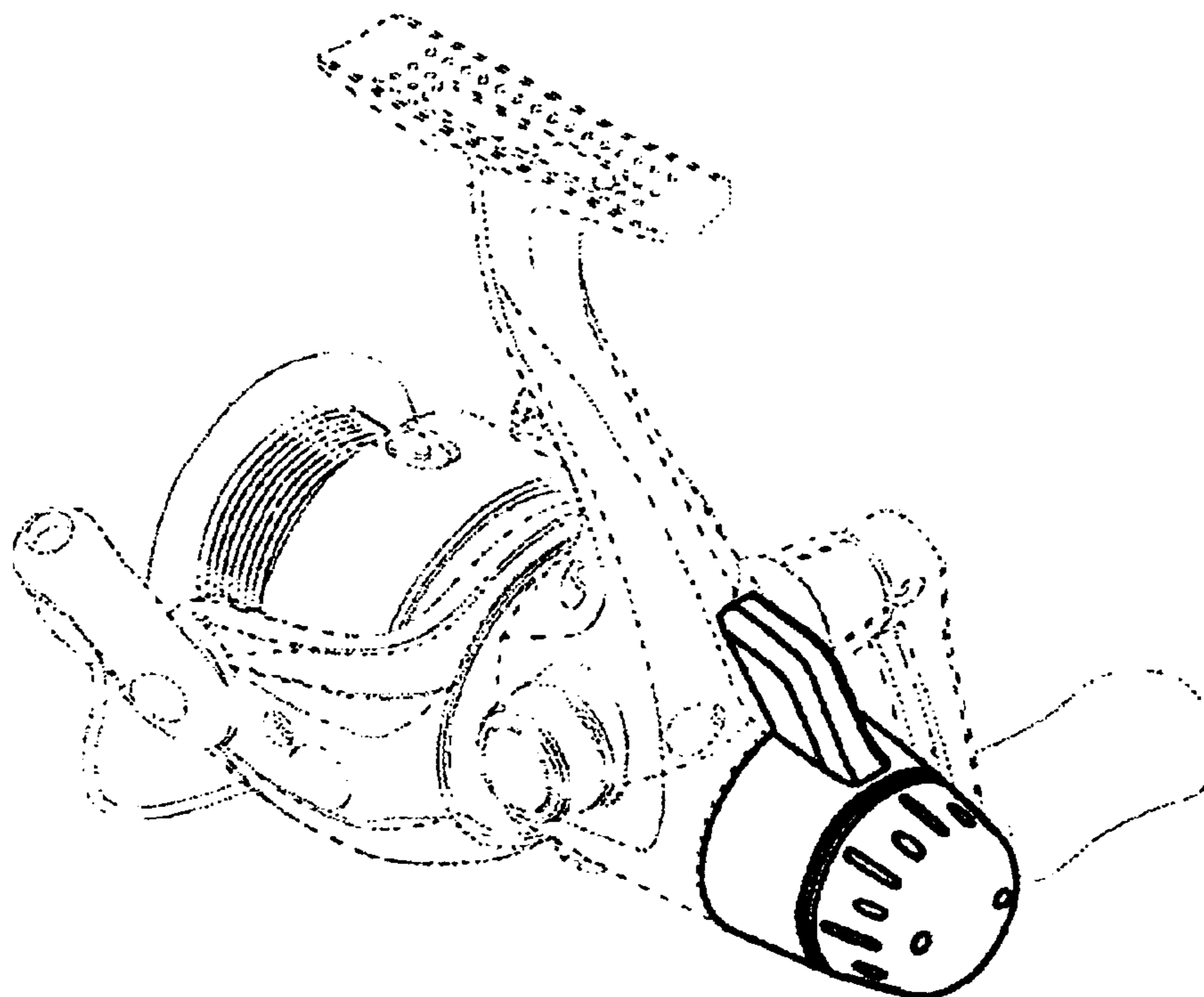


FIGURE 1

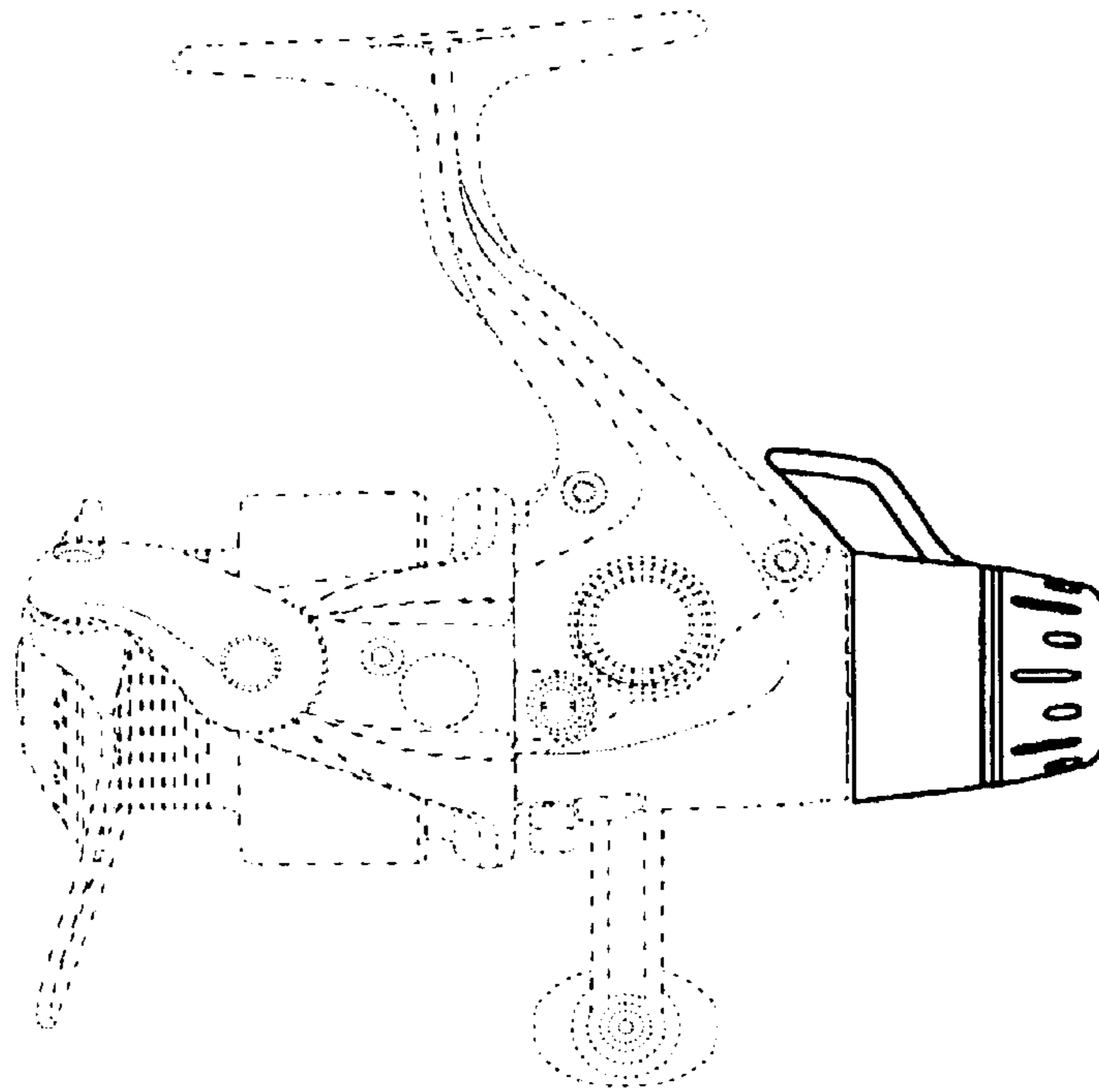


FIGURE 2

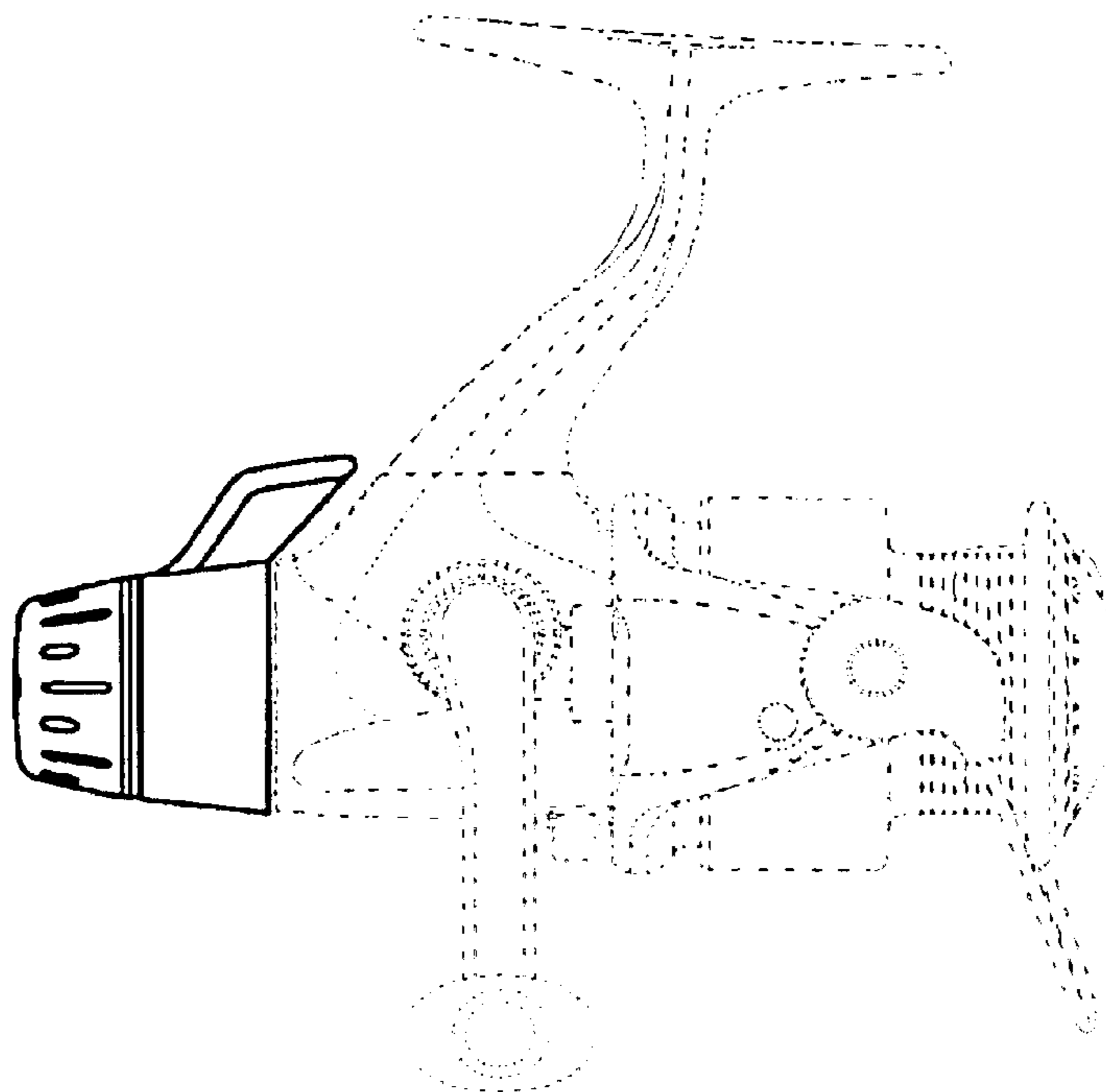


FIGURE 3

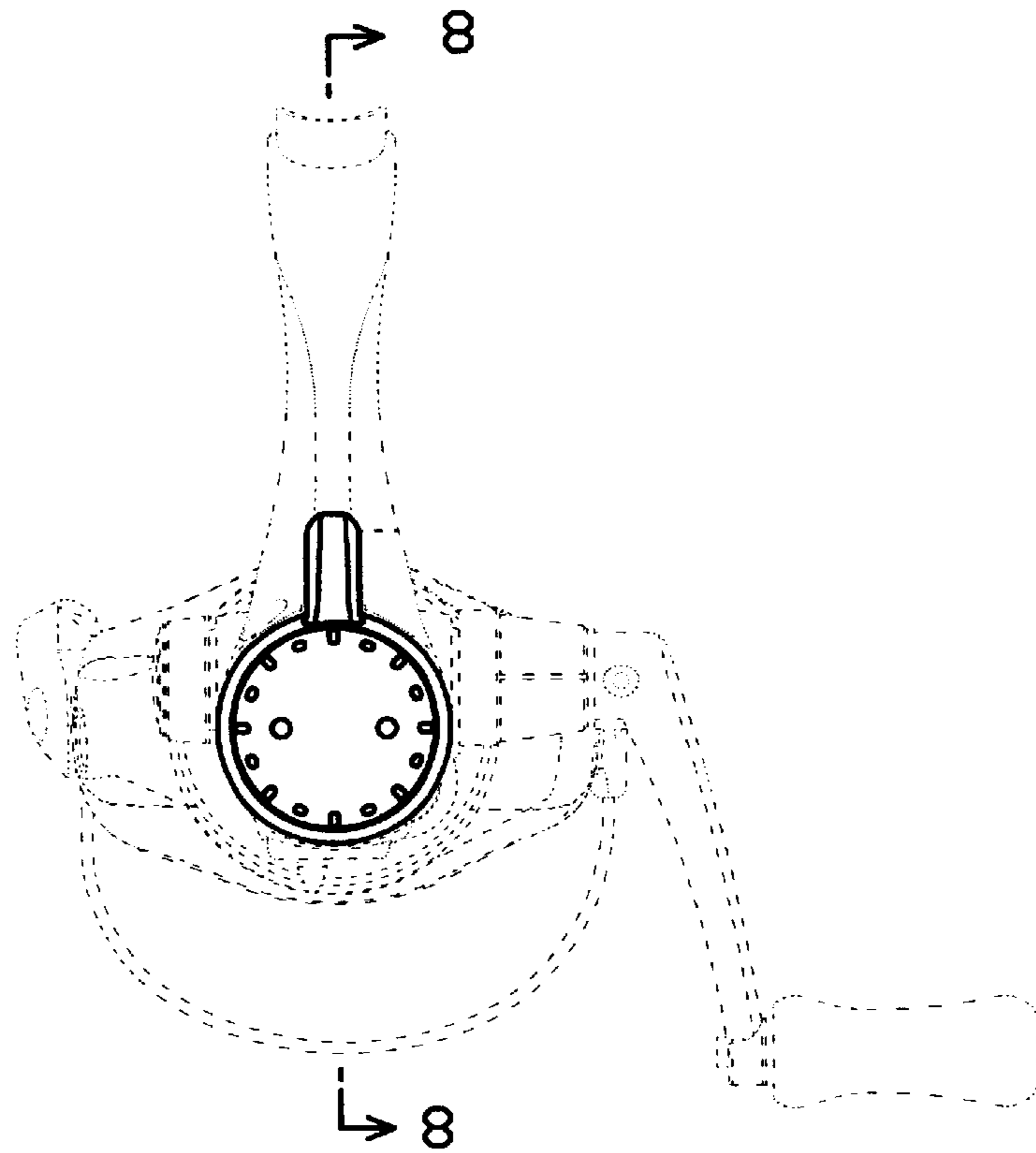


FIGURE 4

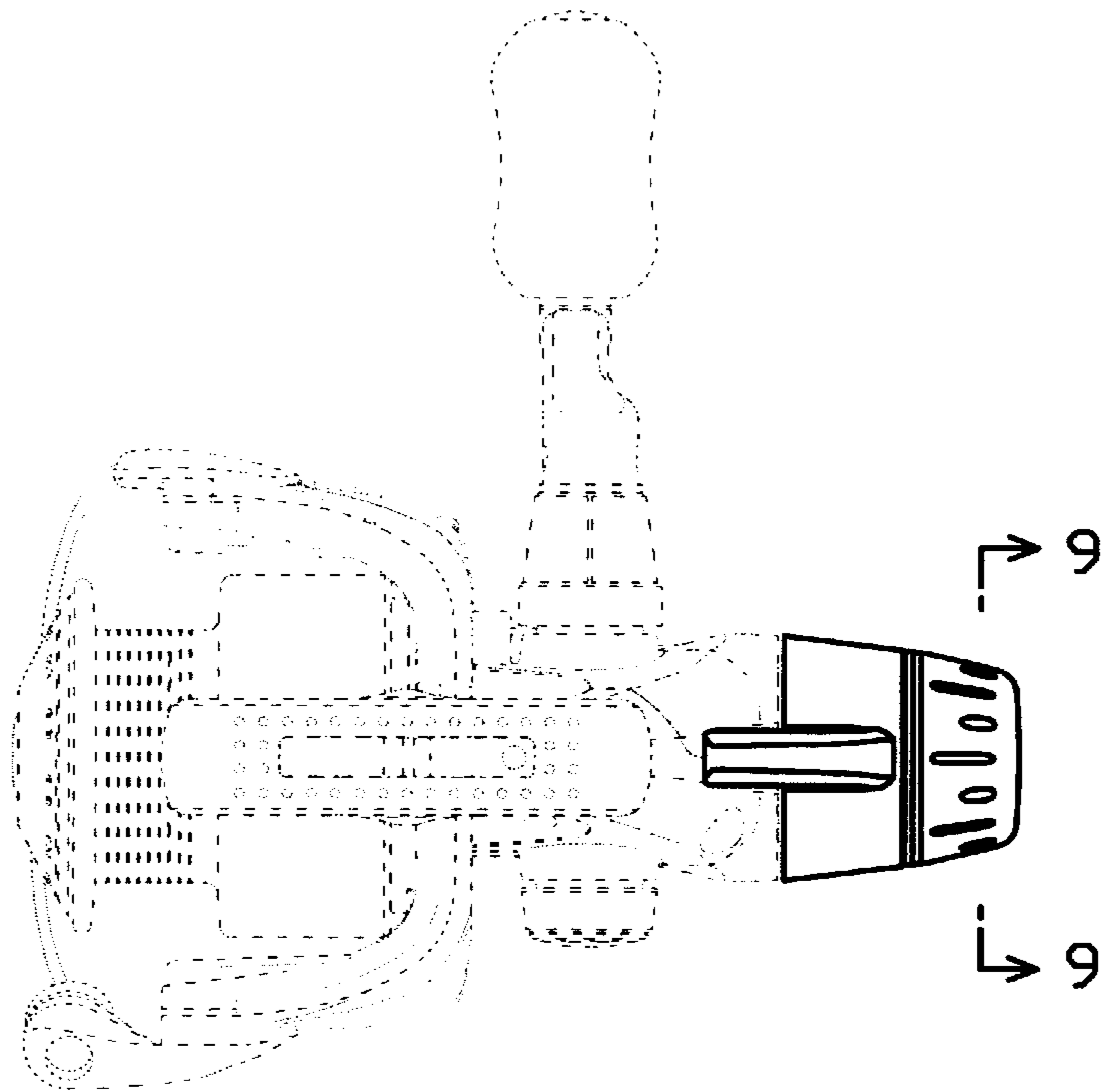


FIGURE 5

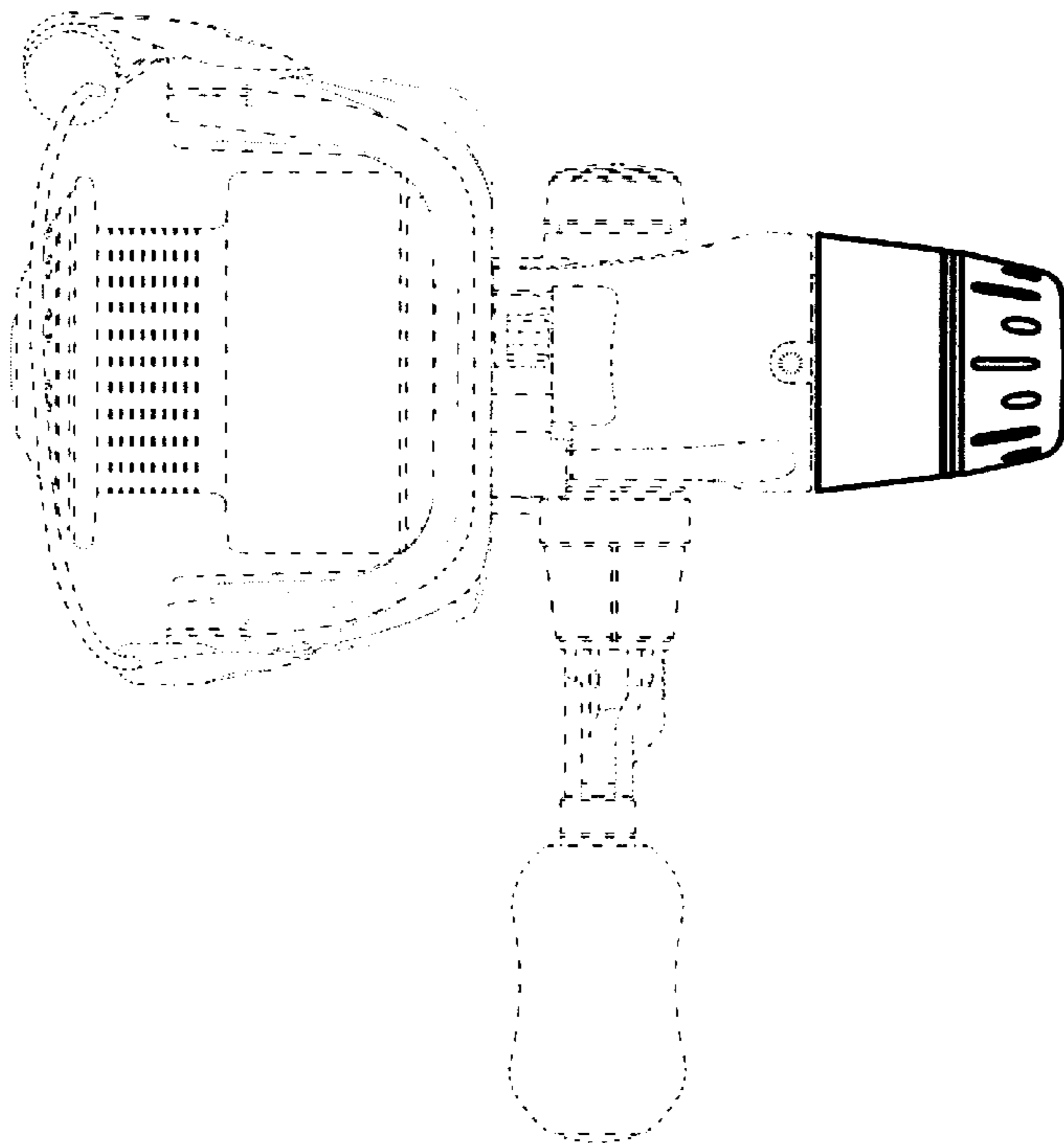


FIGURE 6

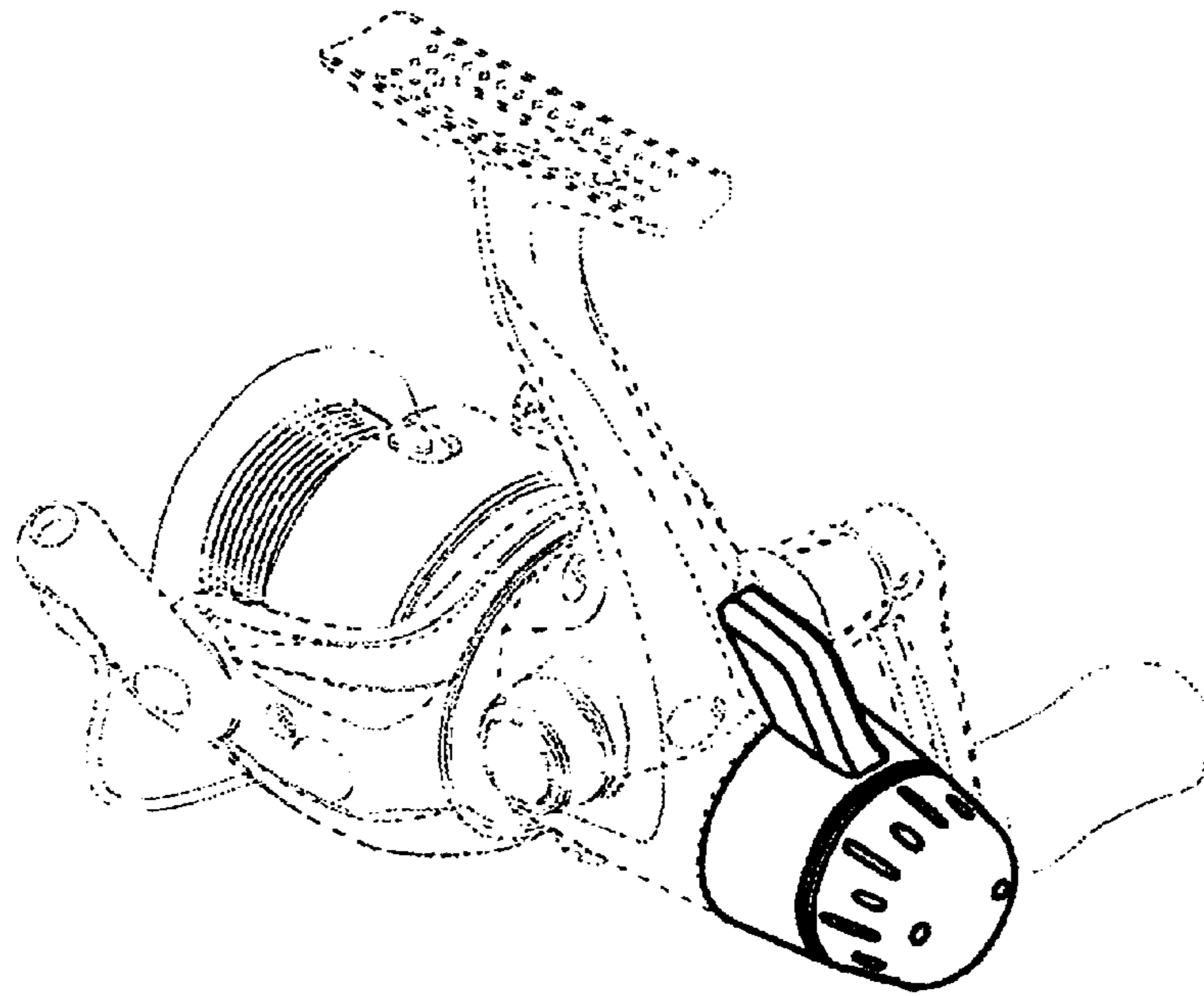


FIGURE 7

