

US00D501527S

(12) **United States Design Patent**  
**Winne, Jr.**

(10) **Patent No.:** **US D501,527 S**  
(45) **Date of Patent:** **\*\* Feb. 1, 2005**

(54) **FISHING LURE**

D466,965 S \* 12/2002 Toris ..... D22/131

(76) **Inventor:** **Charles Winne, Jr.**, 20 Ridge Rd.,  
Shokan, NY (US) 12481

\* cited by examiner

*Primary Examiner*—Catherine R. Oliver

(\*\*) **Term:** **14 Years**

(57) **CLAIM**

(21) **Appl. No.:** **29/199,936**

The ornamental design for a fishing lure, as shown and described.

(22) **Filed:** **Feb. 23, 2004**

**DESCRIPTION**

(51) **LOC (7) Cl.** ..... **22-05**

FIG. 1 is a side elevational view of a fishing lure showing my new design;

(52) **U.S. Cl.** ..... **D22/131**

FIG. 2 is a front elevational view of the fishing lure;

(58) **Field of Search** ..... D22/125-133;

FIG. 3 is a rear elevational view of the fishing lure;

43/42.08, 42.22, 42.23, 42.36, 42.49, 42.44,  
42.33

FIG. 4 is a top plan view of the fishing lure; and,

FIG. 5 is a bottom plan view of the fishing lure.

The hook and leaders shown in dotted lines are for illustration purposes only and form no part of the claimed invention.

(56) **References Cited**

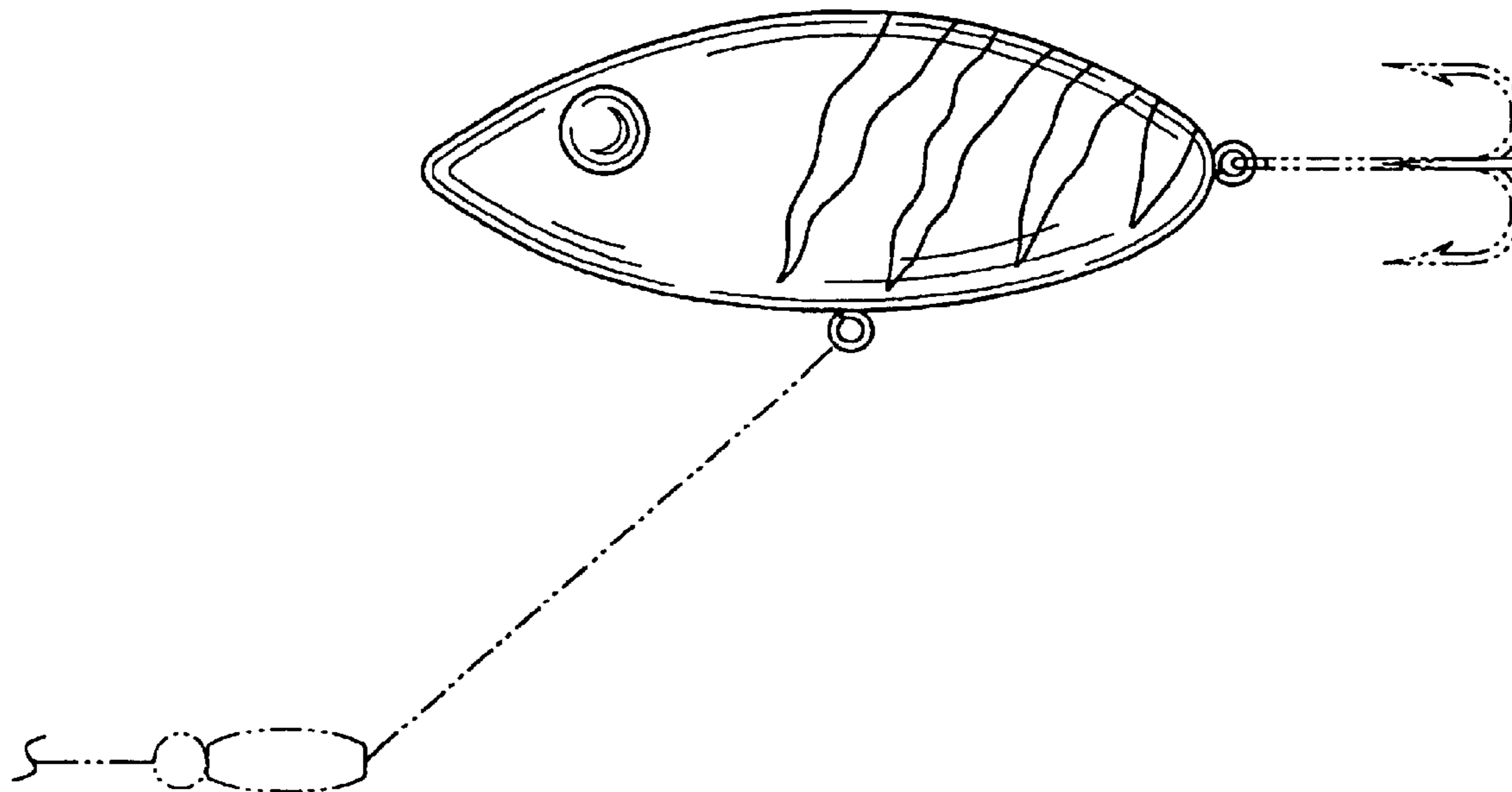
**U.S. PATENT DOCUMENTS**

2,817,920 A \* 12/1957 Mitchell et al. .... D22/131

D321,740 S \* 11/1991 Hook ..... D22/133

5,333,406 A \* 8/1994 Wylie ..... 43/42.09

**1 Claim, 2 Drawing Sheets**



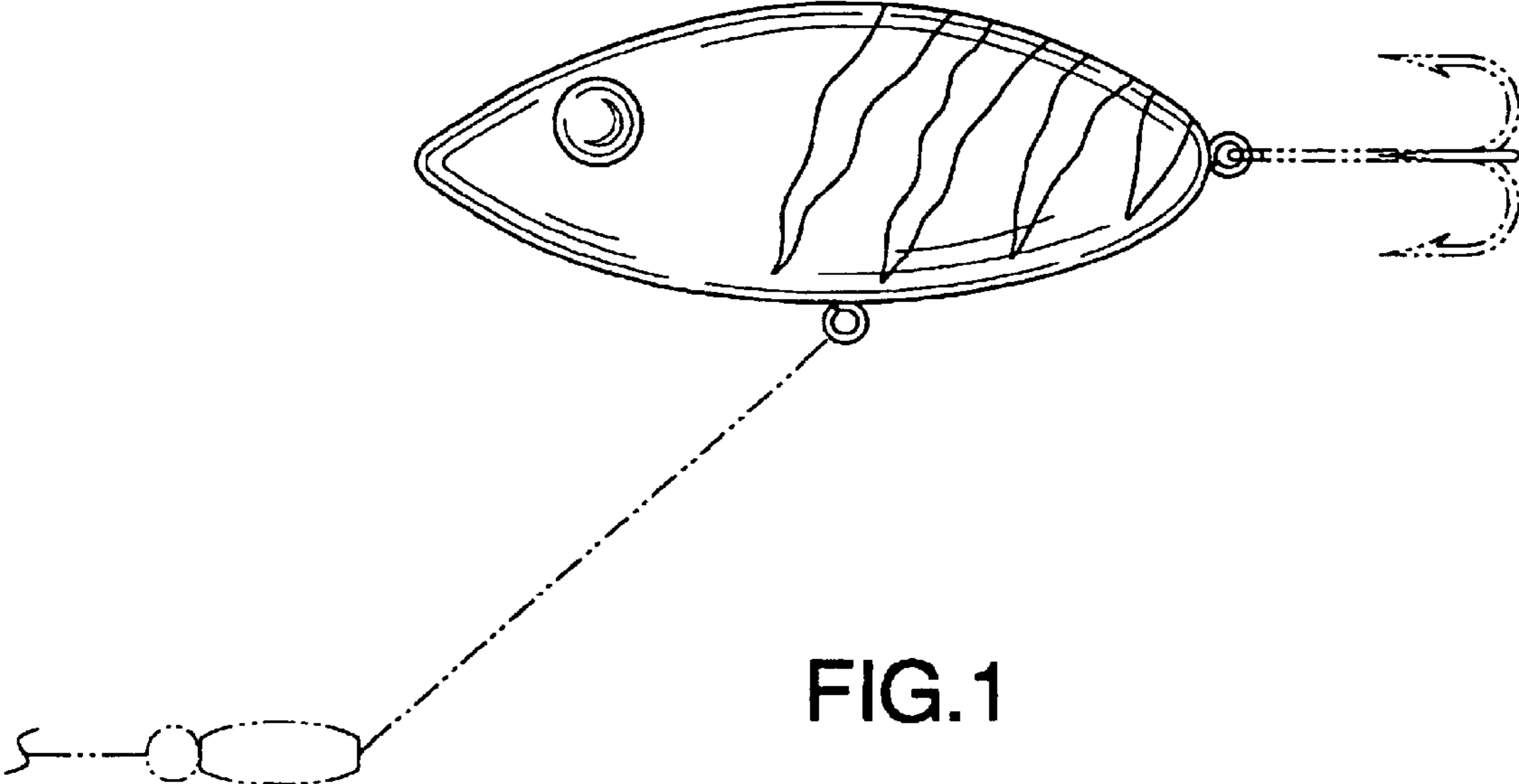


FIG. 1

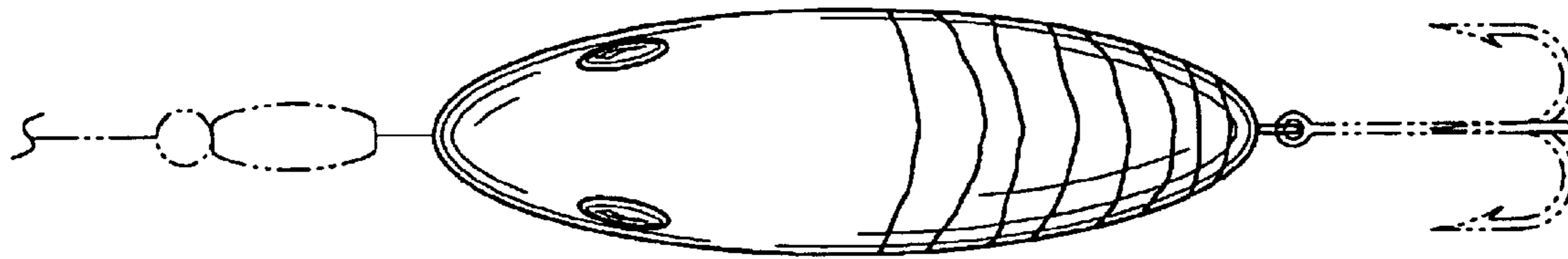
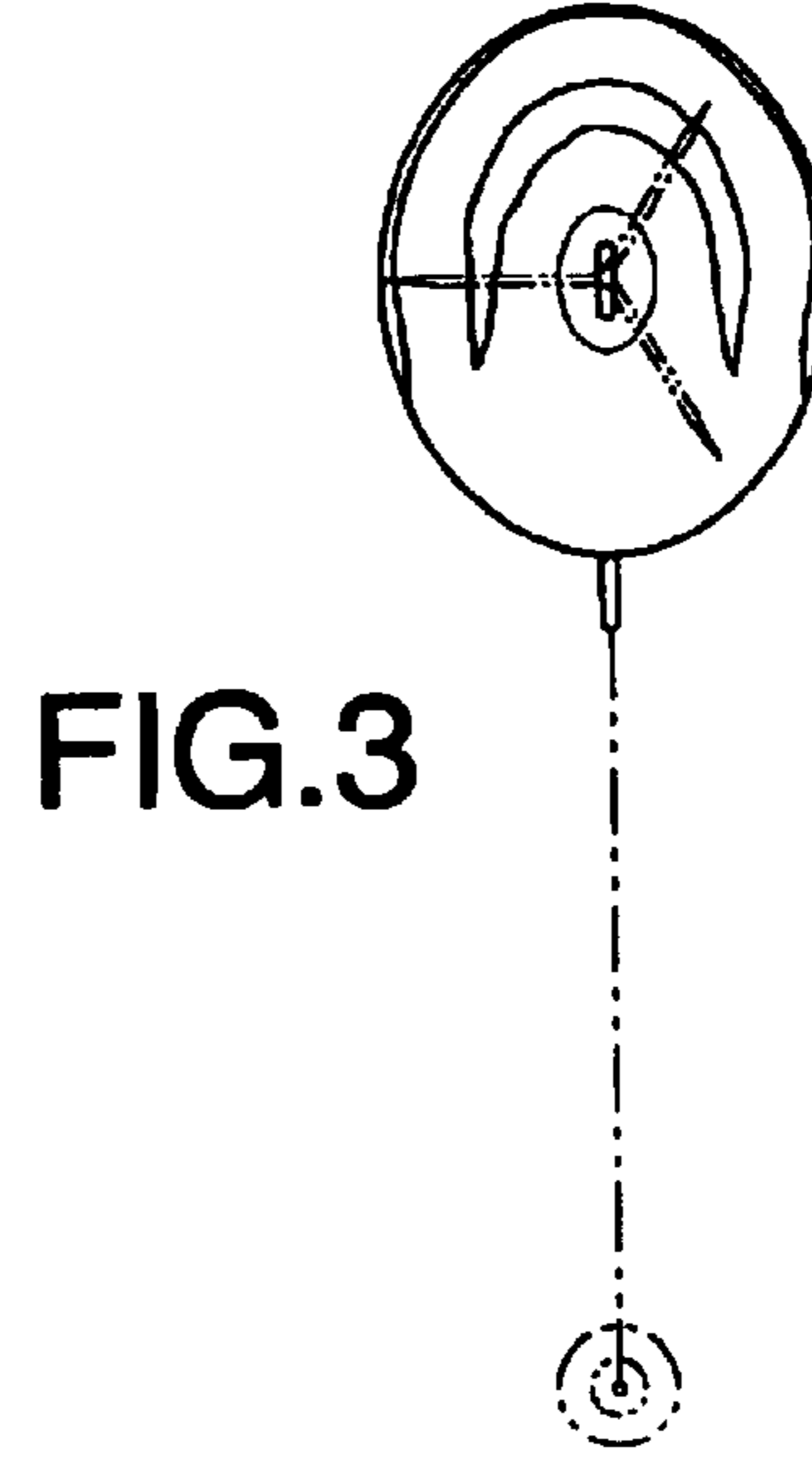
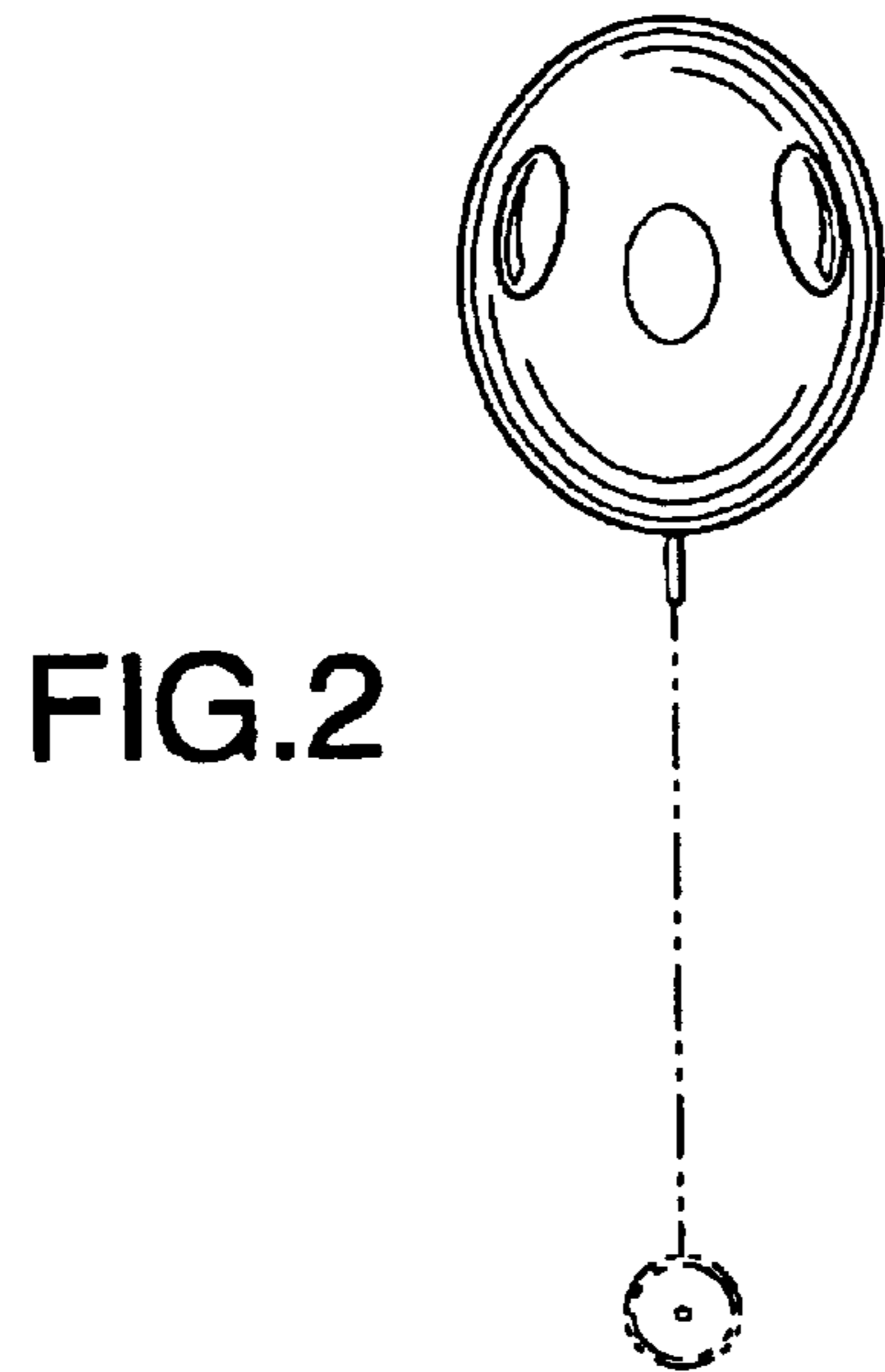


FIG. 4

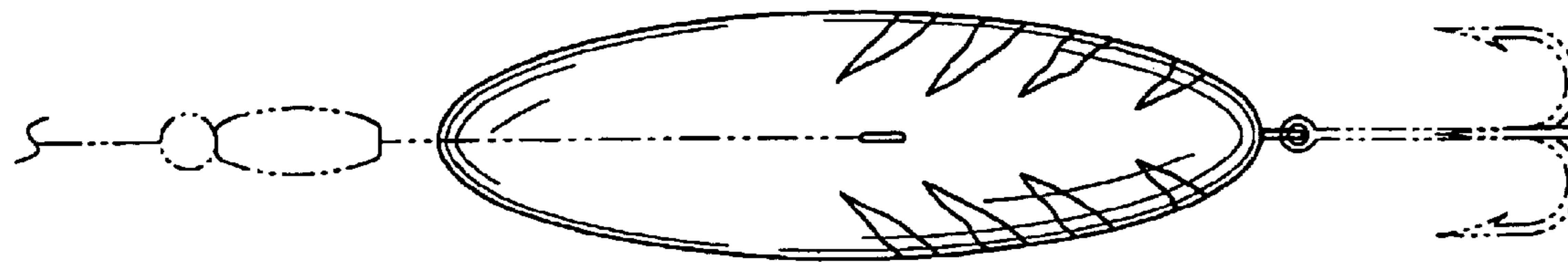


FIG. 5