

US00D501526S

(12) **United States Design Patent**
Matthews

(10) **Patent No.:** **US D501,526 S**
(45) **Date of Patent:** **** Feb. 1, 2005**

(54) **REMOVABLE KEEL FOR A WATERFOWL DECOY**

(75) **Inventor:** **Thomas B. Matthews**, Memphis, TN (US)

(73) **Assignee:** **Avery Outdoors, Inc.**, Memphis, TN (US)

(**) **Term:** **14 Years**

(21) **Appl. No.:** **29/182,504**

(22) **Filed:** **May 28, 2003**

(51) **LOC (7) Cl.** **22-05**

(52) **U.S. Cl.** **D22/125**

(58) **Field of Search** D22/125-133;
43/3, 2, 1

(56) **References Cited**

U.S. PATENT DOCUMENTS

D230,270 S	*	2/1974	Gagnon	D22/125
D268,863 S	*	5/1983	Fulster	D22/125
D365,136 S	*	12/1995	Shaver et al.	D22/125
D394,895 S	*	6/1998	Moody	D22/125

* cited by examiner

Primary Examiner—Catherine R. Oliver

(74) *Attorney, Agent, or Firm*—Walker, McKenzie & Walker, P.C.

(57) **CLAIM**

The ornamental design for a removable keel for a waterfowl decoy, as shown and described.

DESCRIPTION

FIG. 1 is a perspective view of a removable keel for a waterfowl decoy, showing a first preferred embodiment of the new design.

FIG. 2 is a front elevational view of the removable keel for a waterfowl decoy of FIG. 1, but on a smaller scale and the rear elevation being substantially a mirror image thereof.

FIG. 3 is a first end elevational view of the removable keel for a waterfowl decoy of FIG. 1.

FIG. 4 is a second end elevational view of the removable keel for a waterfowl decoy of FIG. 1.

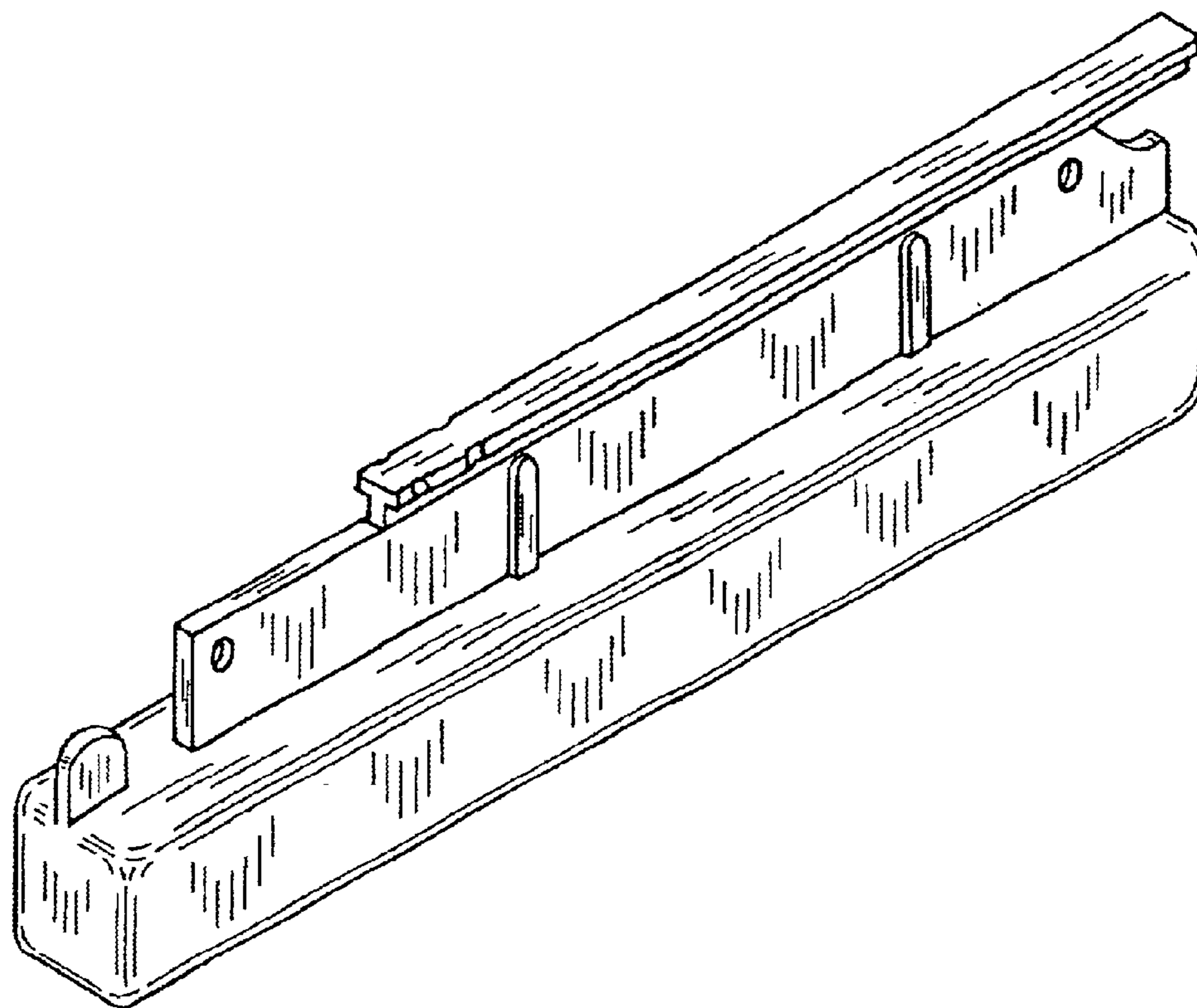
FIG. 5 is a top plan view of the removable keel for a waterfowl decoy of FIG. 1.

FIG. 6 is a bottom plan view of the removable keel for a waterfowl decoy of FIG. 1; and,

FIG. 7 is a rear elevational view of the removable keel for a waterfowl decoy of FIG. 1, but on a smaller scale and showing the removable keel attached to a waterfowl decoy with portions of the removable keel that are hidden when attached to a waterfowl decoy not shown.

The waterfowl decoy shown in broken lines in FIG. 7 is for illustrative purposes only and forms no part of the claimed design.

1 Claim, 2 Drawing Sheets



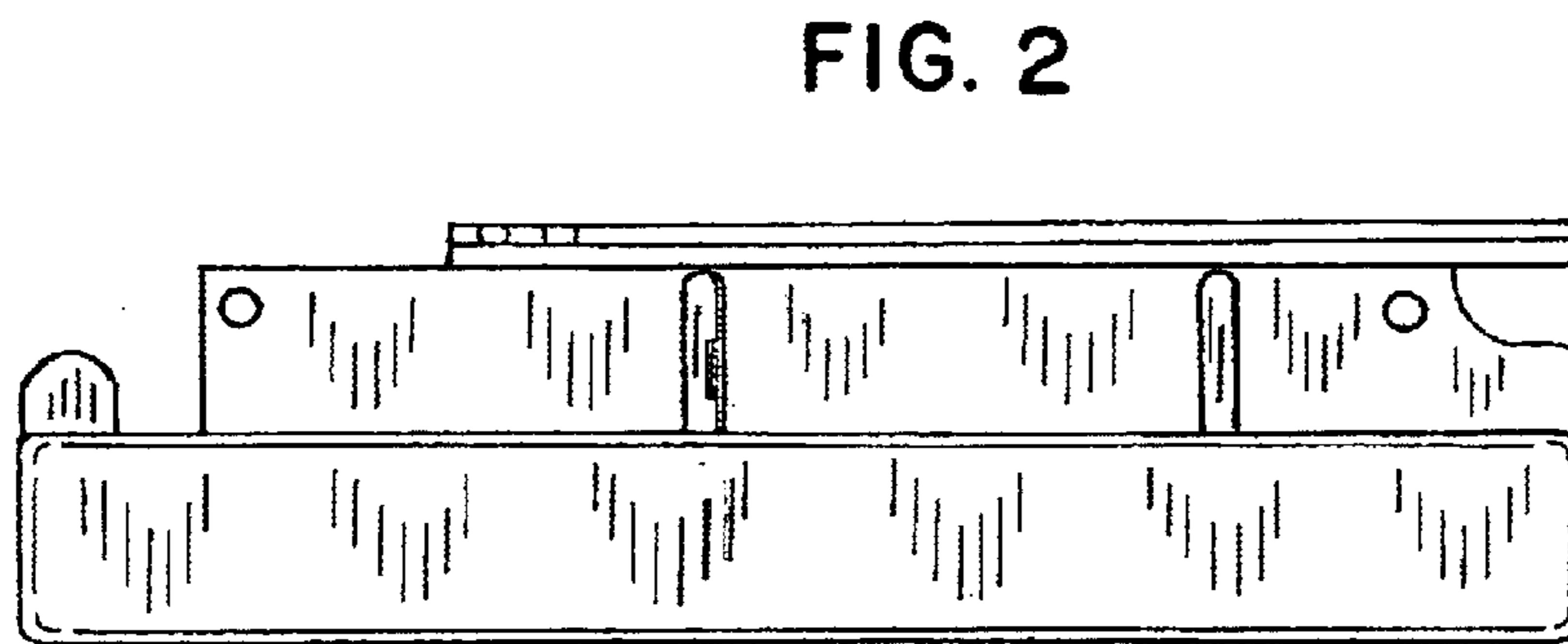
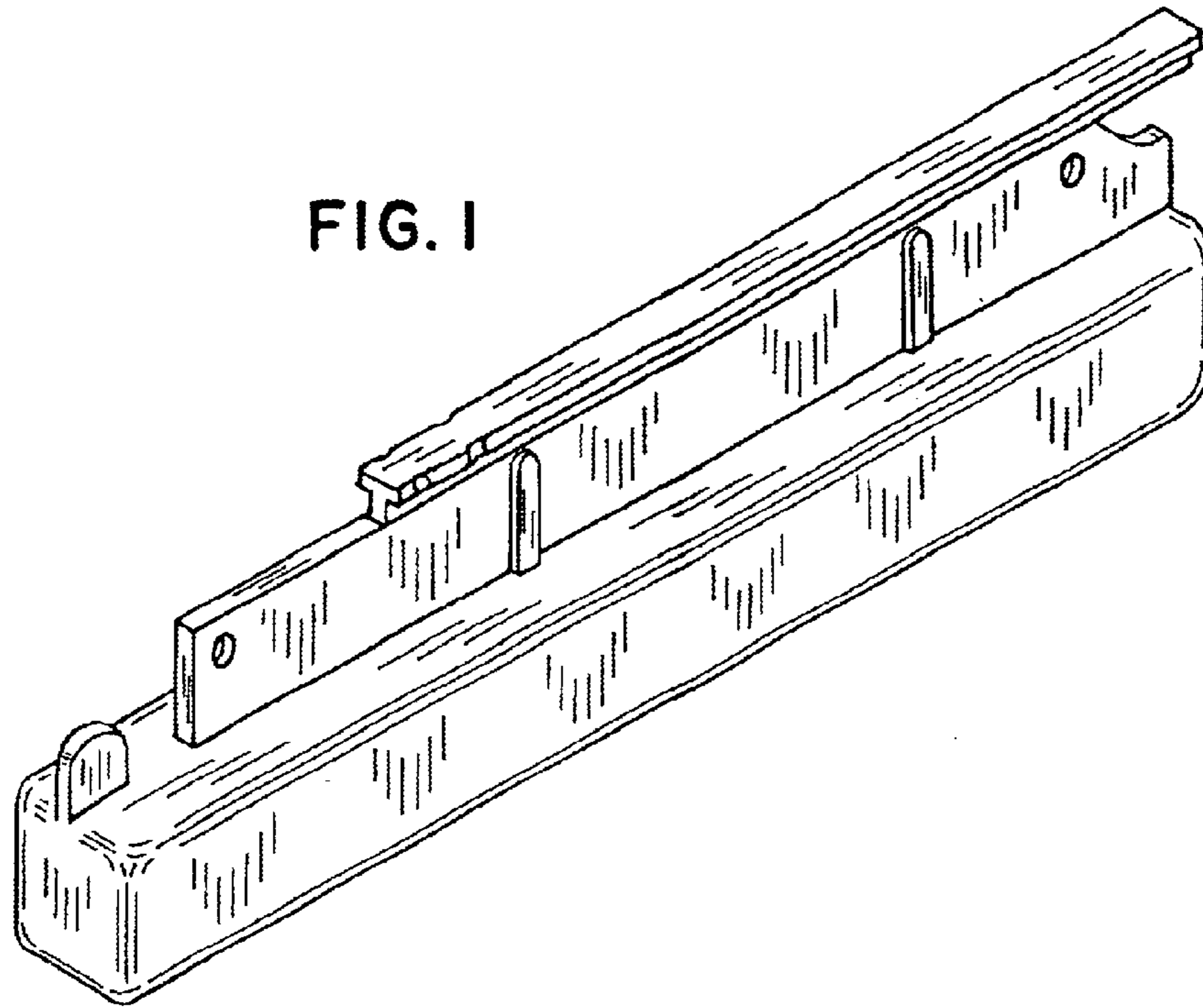


FIG. 3

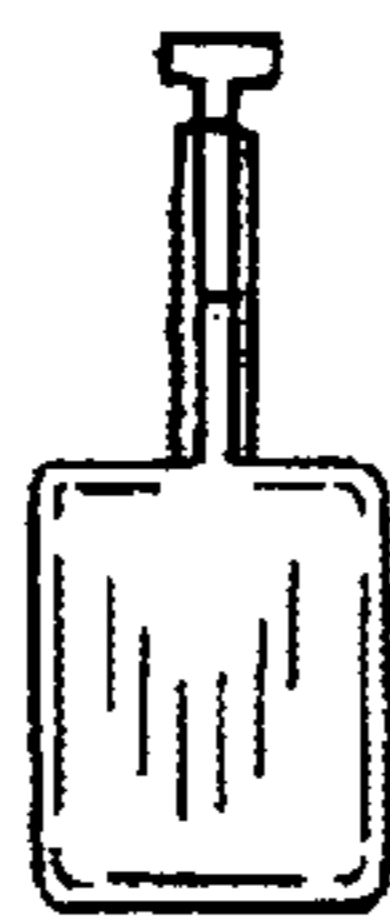


FIG. 4

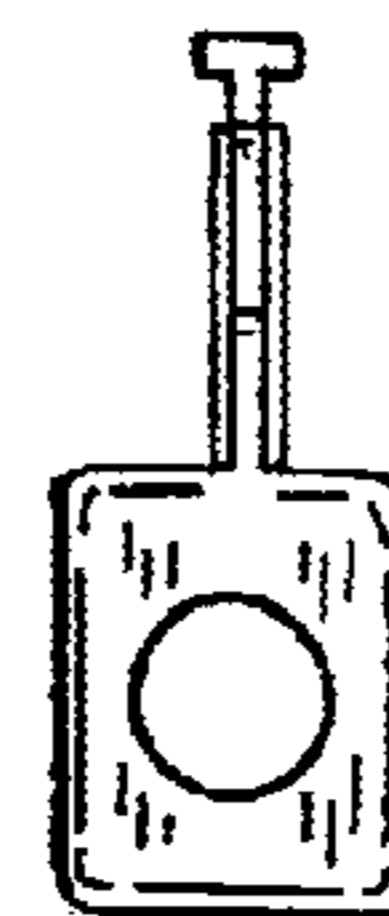


FIG. 5

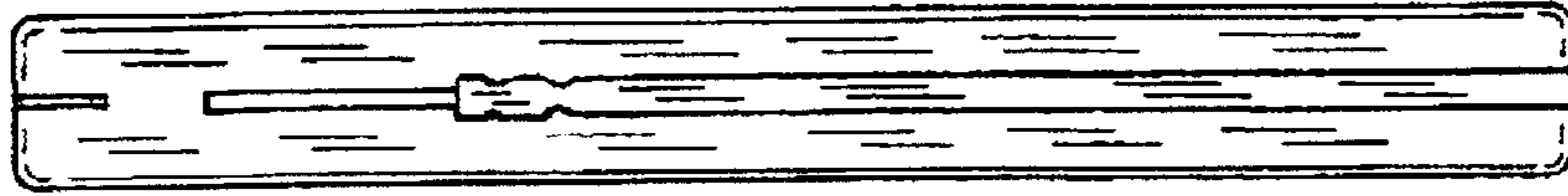


FIG. 6

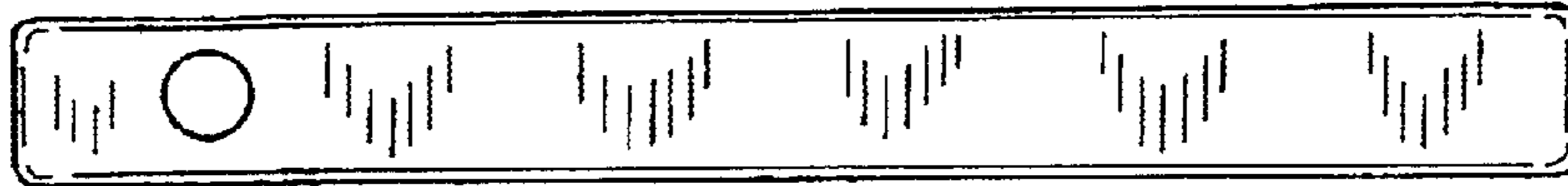


FIG. 7

