

US00D501525S

(12) **United States Design Patent**
Saillet

(10) **Patent No.:** **US D501,525 S**

(45) **Date of Patent:** **** Feb. 1, 2005**

(54) **SKI BINDING**

(75) **Inventor:** **Thomas Saillet**, Chainaz les Frasses (FR)

(73) **Assignee:** **Salomon S.A.**, Metz-Tessy (FR)

(**) **Term:** **14 Years**

(21) **Appl. No.:** **29/190,089**

(22) **Filed:** **Sep. 16, 2003**

(30) **Foreign Application Priority Data**

Mar. 17, 2003 (WO) DM/063 418

(51) **LOC (7) Cl.** **21-02**

(52) **U.S. Cl.** **D21/773**

(58) **Field of Search** D21/773, 766;
280/611-637, 607; 441/70

(56) **References Cited**

U.S. PATENT DOCUMENTS

- 3,998,475 A * 12/1976 Eckart 280/623
- D329,267 S * 9/1992 Arnulf D21/773
- 5,190,310 A * 3/1993 Hauglin et al. 280/615
- 5,334,065 A * 8/1994 Uren et al. 441/70
- 5,735,541 A * 4/1998 Fritschi et al. 280/617

- 6,017,050 A * 1/2000 Girard 280/615
- D425,955 S * 5/2000 Girard et al. D21/773
- 6,325,404 B1 * 12/2001 Liard et al. 280/607
- 6,431,578 B2 * 8/2002 Pedersen et al. 280/626

* cited by examiner

Primary Examiner—Lucy Lieberman

(74) *Attorney, Agent, or Firm*—Greenblum & Bernstein, P.L.C.

(57) **CLAIM**

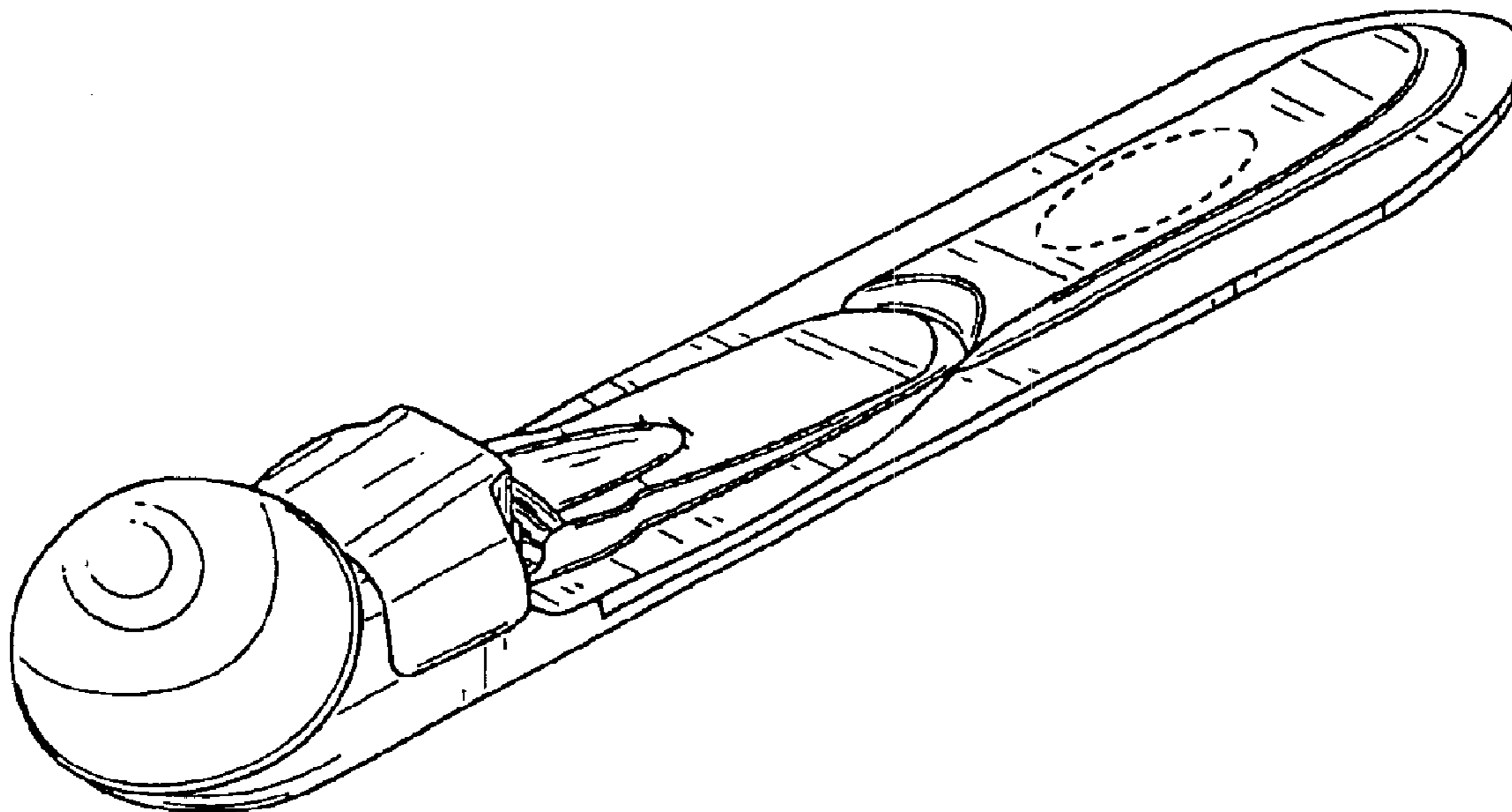
I claim the ornamental design for a ski binding, as shown and described.

DESCRIPTION

FIG. 1 is a front and right side perspective view of a ski binding showing my new design;
 FIG. 2 is a top view thereof;
 FIG. 3 is a bottom view thereof;
 FIG. 4 is a right side view thereof;
 FIG. 5 is a left side view thereof;
 FIG. 6 is a rear end view thereof; and,
 FIG. 7 is a front end view thereof.

The broken lines shown in FIGS. 1 and 2 are for illustrative purposes only and do not form part of the claimed design.

1 Claim, 4 Drawing Sheets



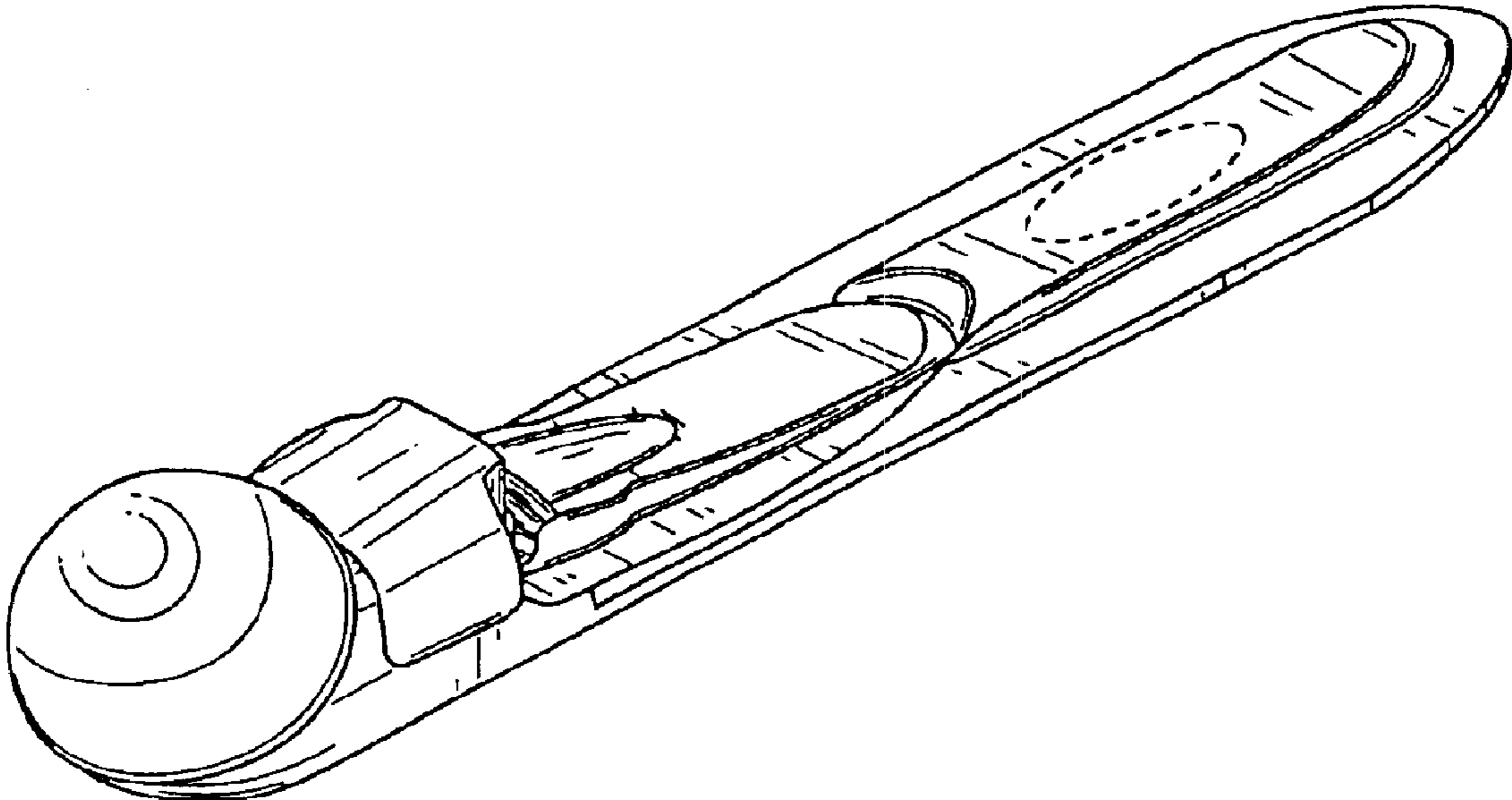


FIG. 1

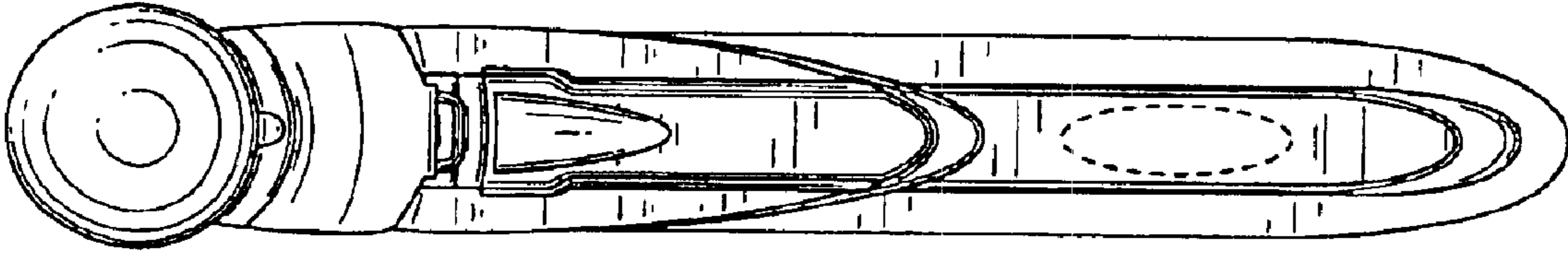


FIG. 2

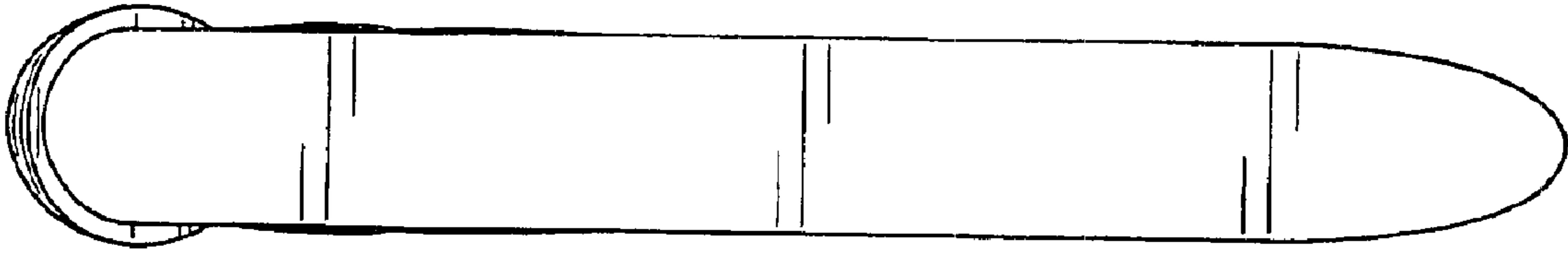


FIG. 3

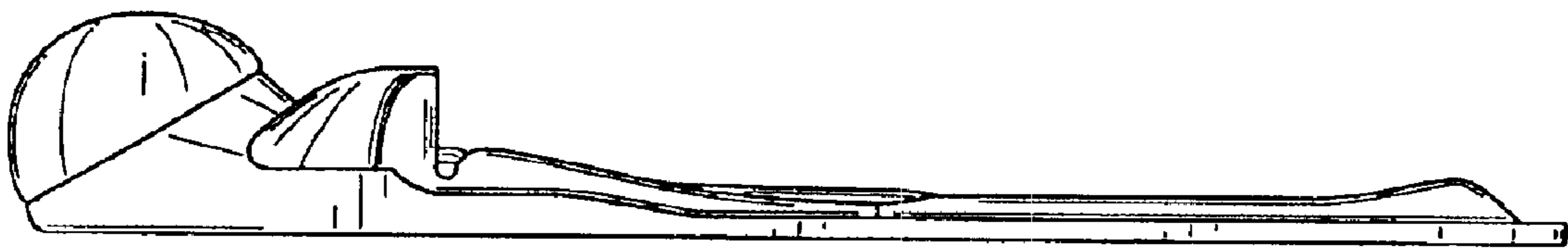


FIG. 4

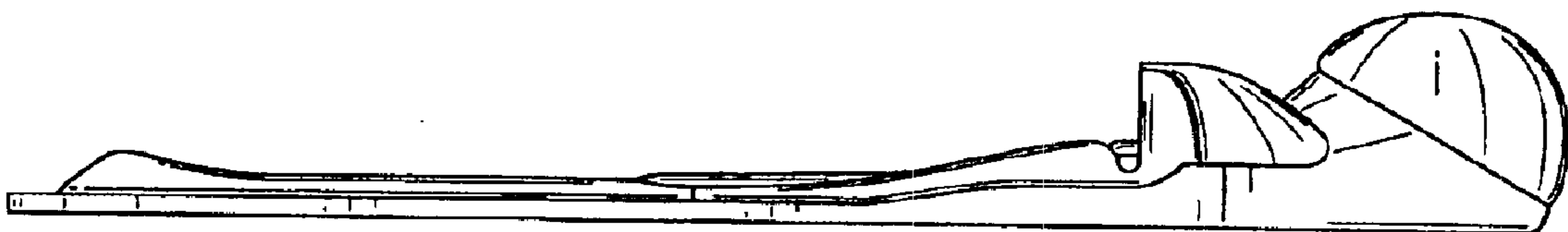


FIG. 5

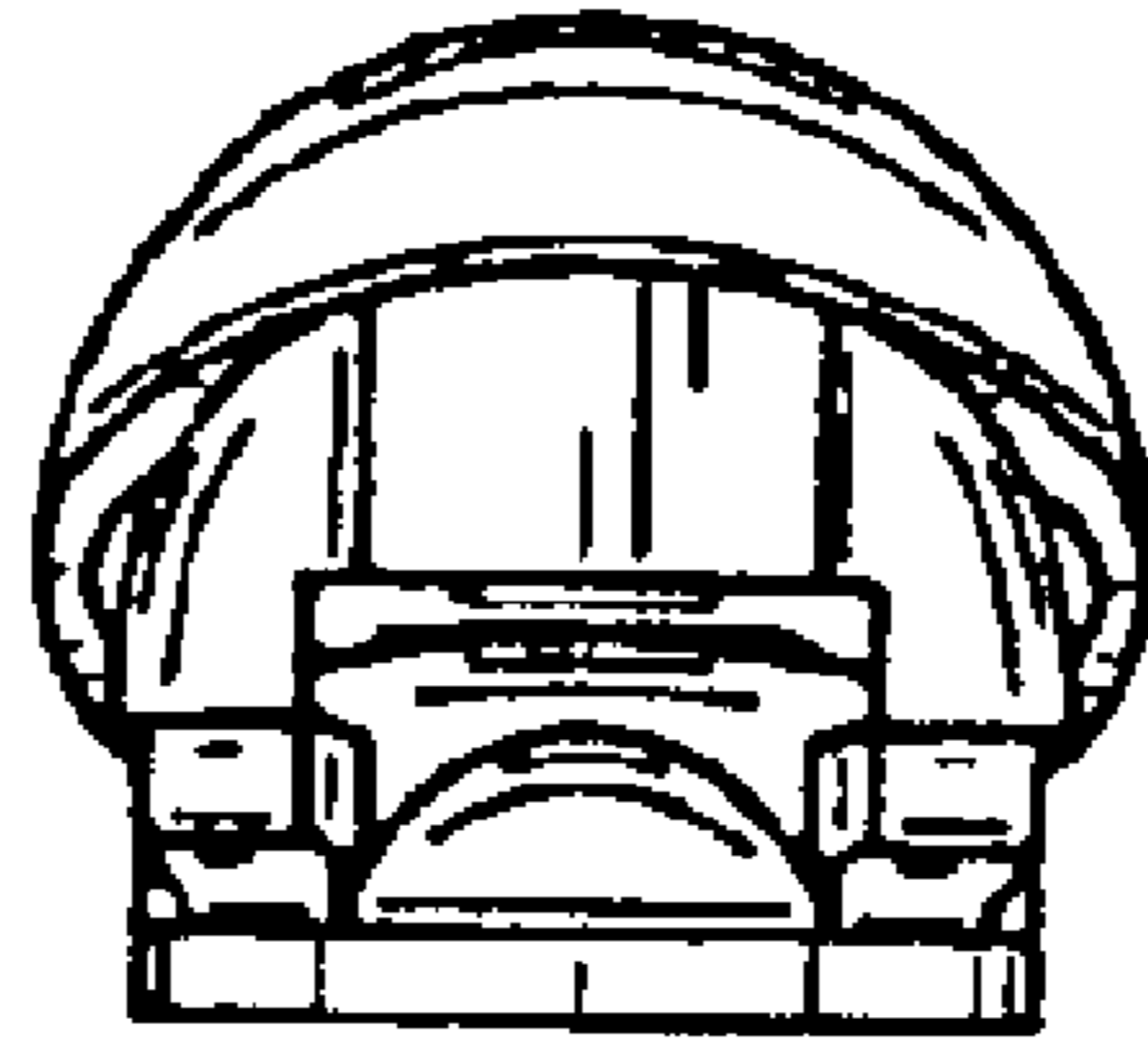


FIG. 6

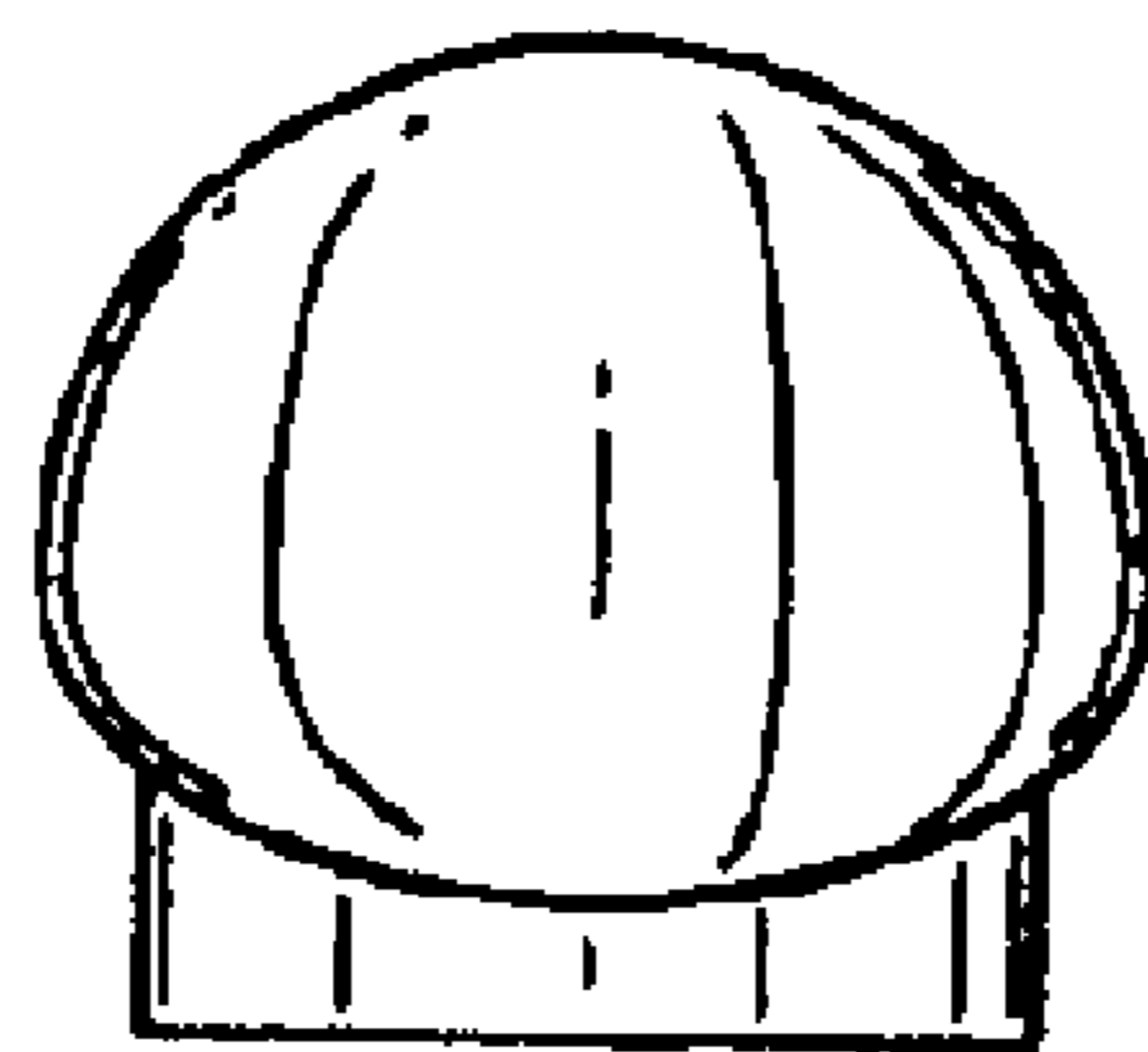


FIG. 7