

US00D501524S

(12) **United States Design Patent**
Dogan et al.

(10) **Patent No.:** **US D501,524 S**
(45) **Date of Patent:** **** Feb. 1, 2005**

(54) **GOLF CLUB HEAD**

D318,891 S * 8/1991 Duclos D21/733
5,690,879 A * 11/1997 Lee 264/237
D422,327 S * 4/2000 Takaoka et al. D21/733

(75) Inventors: **Junichi Dogan**, Osaka (JP); **Shuichi Noguchi**, Osaka (JP); **Shinichi Inukai**, Osaka (JP)

* cited by examiner

(73) Assignee: **Mizuno Corporation**, Osaka (JP)

Primary Examiner—Mitchell Siegel
(74) *Attorney, Agent, or Firm*—Troutman Sanders LLP; Gerald R. Boss

(**) Term: **14 Years**

(57) **CLAIM**

(21) Appl. No.: **29/197,193**

The ornamental design of a golf club head, as shown in the accompanying drawings.

(22) Filed: **Jan. 12, 2004**

DESCRIPTION

(51) **LOC (7) Cl.** **21-02**

FIG. 1 is a perspective view of a golf club head of the present design;

(52) **U.S. Cl.** **D21/759**

FIG. 2 is a rear view of a golf club head of the present design; and,

(58) **Field of Search** D21/733–752,
D21/759; 473/324–331, 343–346; 264/237

FIG. 3 is a sole view of a golf club head of the present design.

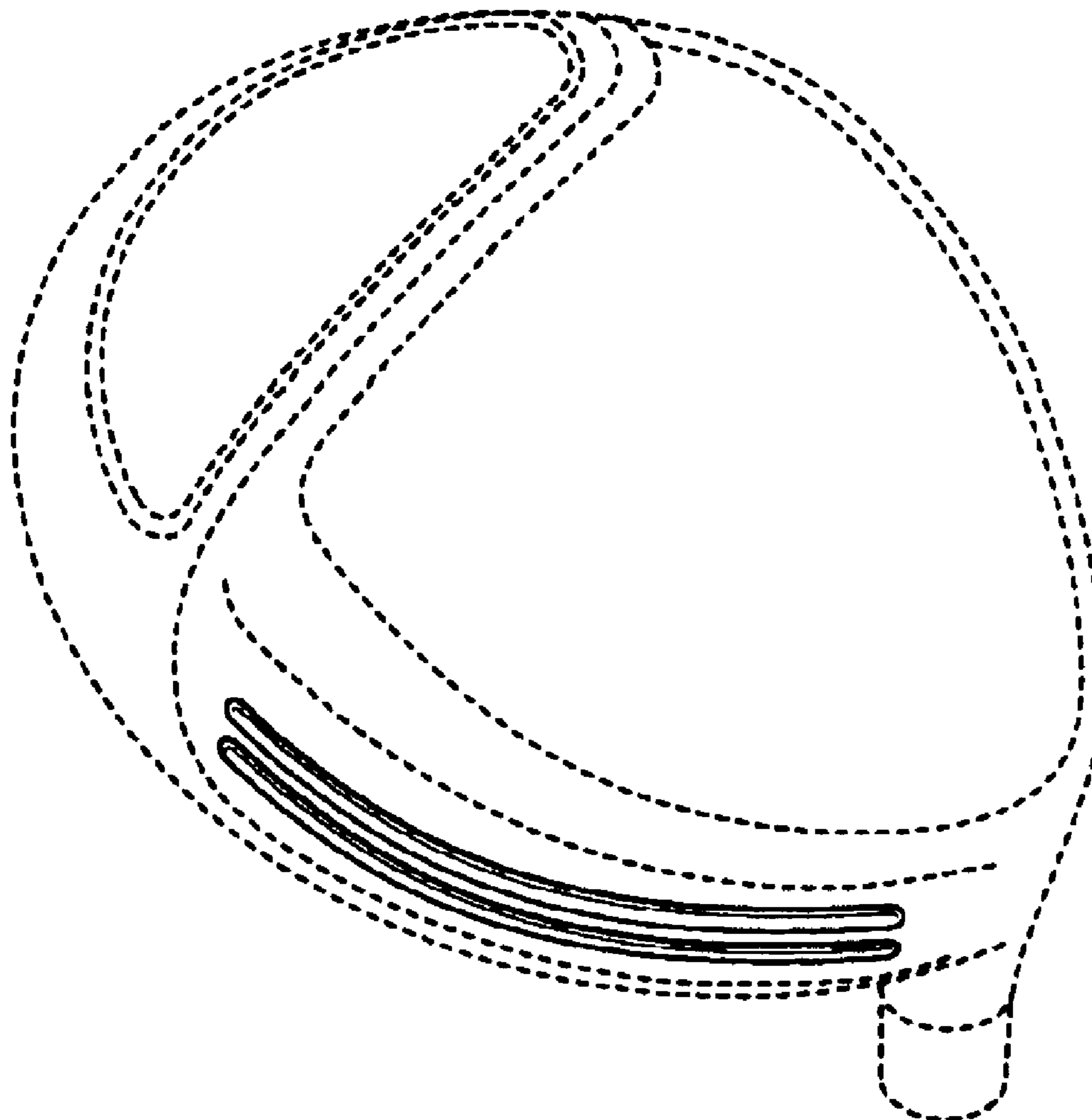
(56) **References Cited**

The broken line showing is for illustrative purposes only and forms no part of the claimed design.

U.S. PATENT DOCUMENTS

3,997,170 A * 12/1976 Goldberg 473/327
4,065,133 A * 12/1977 Gordos 473/327
D275,412 S * 9/1984 Simmons D21/752

1 Claim, 1 Drawing Sheet



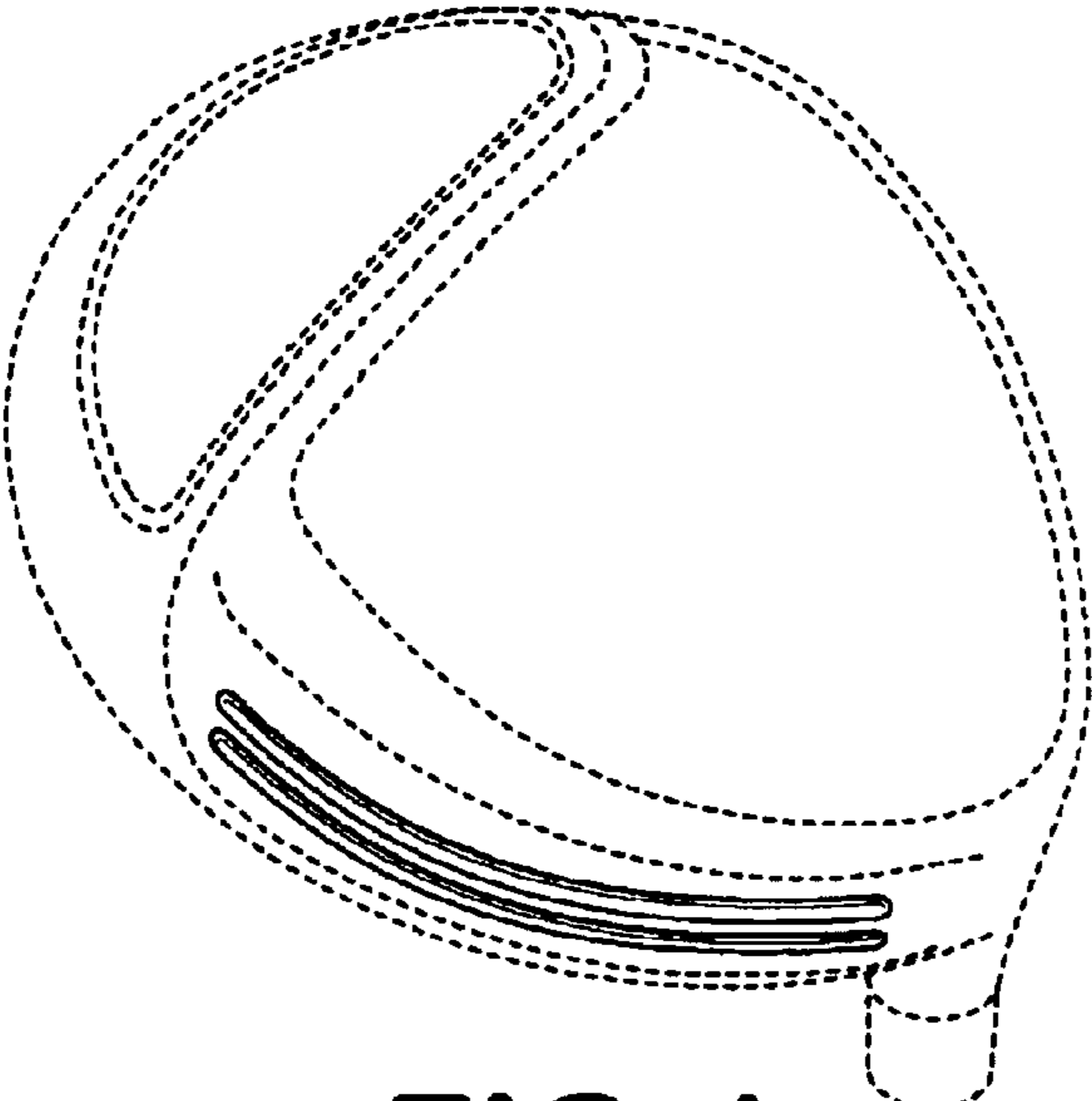


FIG 1

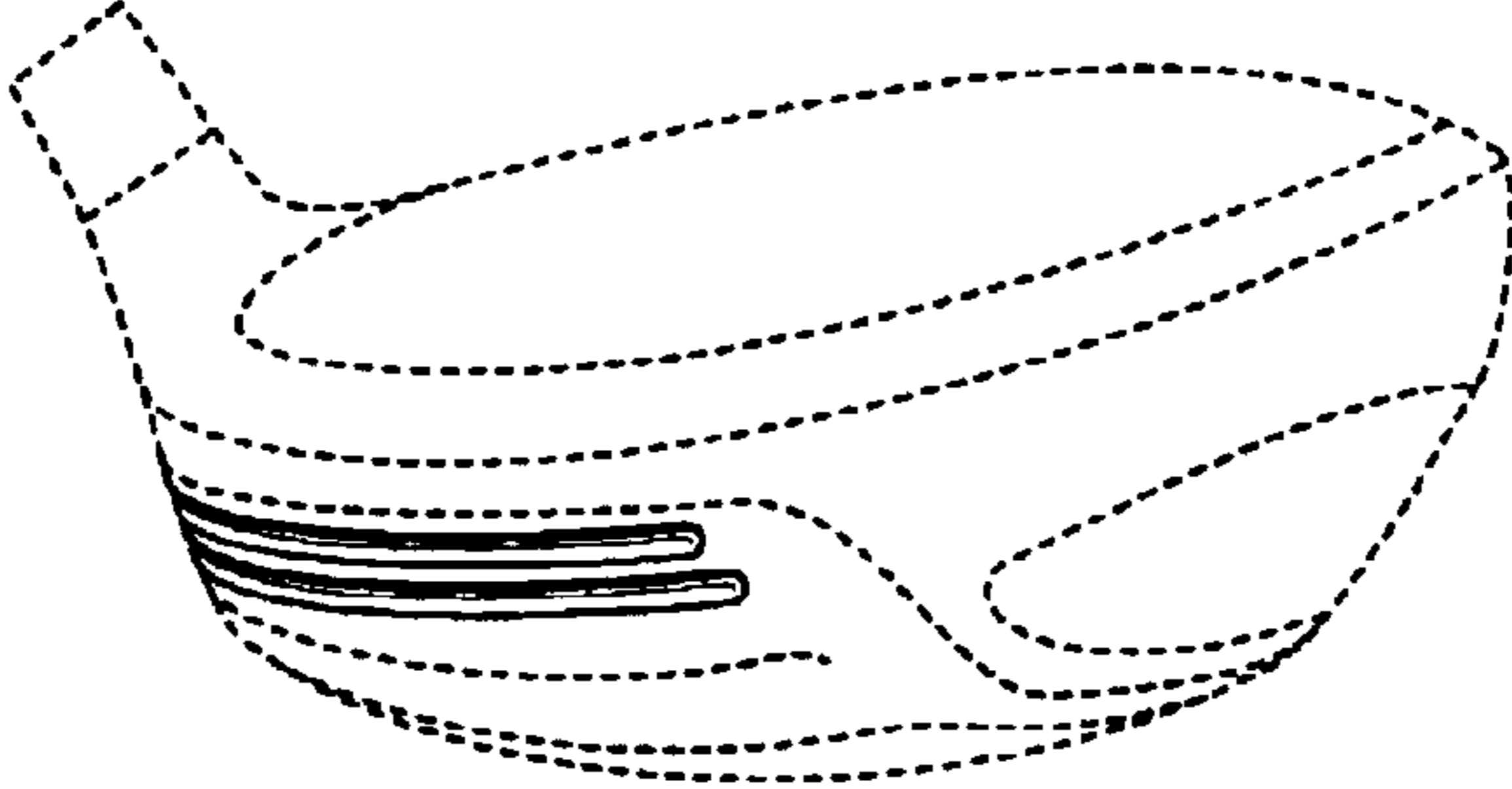


FIG 2

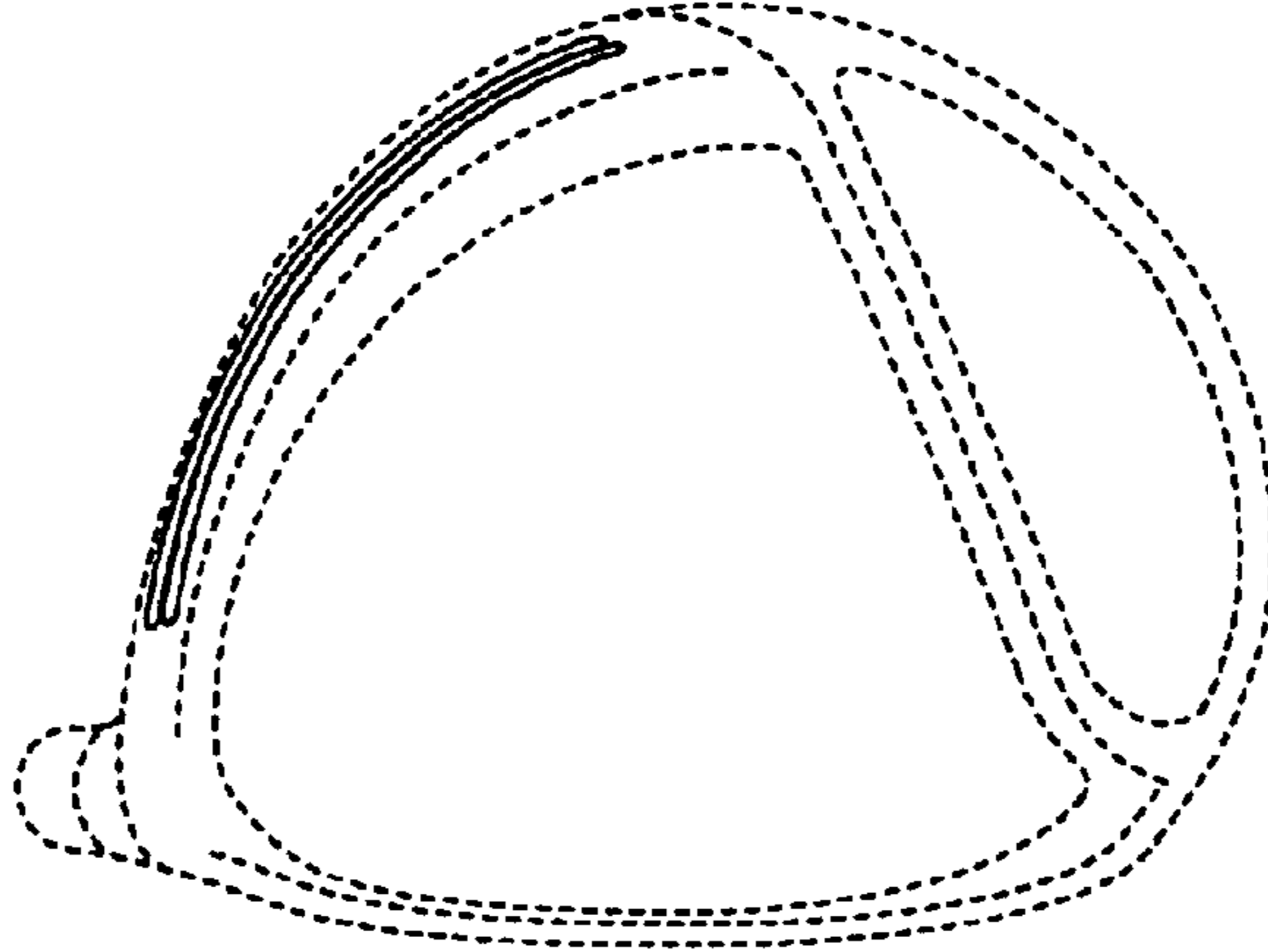


FIG 3