



US00D501521S

(12) **United States Design Patent** (10) **Patent No.:** **US D501,521 S**
Reynolds (45) **Date of Patent:** **** Feb. 1, 2005**

(54) **HAND RACKET**

(76) Inventor: **Miles Reynolds**, Missouri 9-4, Colonia Napoles, 03810, DF (MX)

(**) Term: **14 Years**

(21) Appl. No.: **29/195,338**

(22) Filed: **Dec. 8, 2003**

(51) **LOC (7) Cl.** **21-02**

(52) **U.S. Cl.** **D21/731**

(58) **Field of Search** D21/729-732;
473/463, 464, 518, 524, 527

(56) **References Cited**

U.S. PATENT DOCUMENTS

1,477,460	A	*	12/1923	Smith	473/518
1,523,899	A	*	1/1925	Rittenhouse	473/518
D93,151	S	*	8/1934	Young	D21/731
2,228,586	A	*	1/1941	Protzky	473/518
4,387,895	A	*	6/1983	Steel	473/518
D360,920	S	*	8/1995	Lessard	D21/731
5,839,979	A	*	11/1998	De Genty	473/464

* cited by examiner

Primary Examiner—Mitchell Siegel

(74) *Attorney, Agent, or Firm*—Richard W. Hanes; Hanes & Schutz, P.C.

(57) **CLAIM**

The ornamental design for a hand racket, as shown and described.

DESCRIPTION

FIG. 1 is a perspective view of the hand racket, the broken line showing of is for illustrative purposes only and forms no part of the claimed design.

FIG. 2 is a top left perspective view of the hand racket of the present design.

FIG. 3 is a bottom left perspective view of the hand racket of the present design.

FIG. 4 is a front view of the hand racket.

FIG. 5 is a rear view of the hand racket.

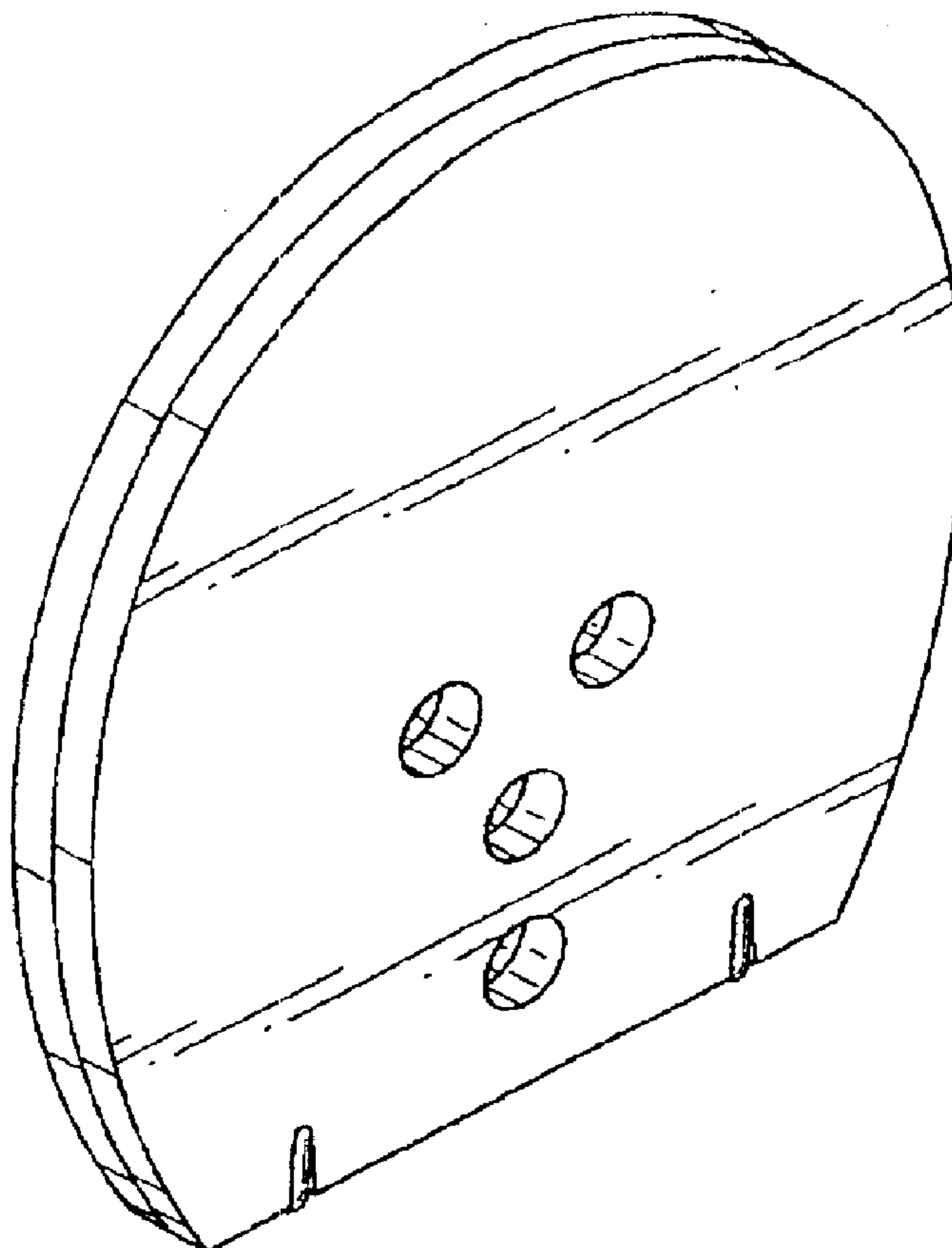
FIG. 6 is a left side view of the hand racket.

FIG. 7 is a right side view of the hand racket.

FIG. 8 is a top view of the hand racket; and,

FIG. 9 is a bottom view of the hand racket.

1 Claim, 4 Drawing Sheets



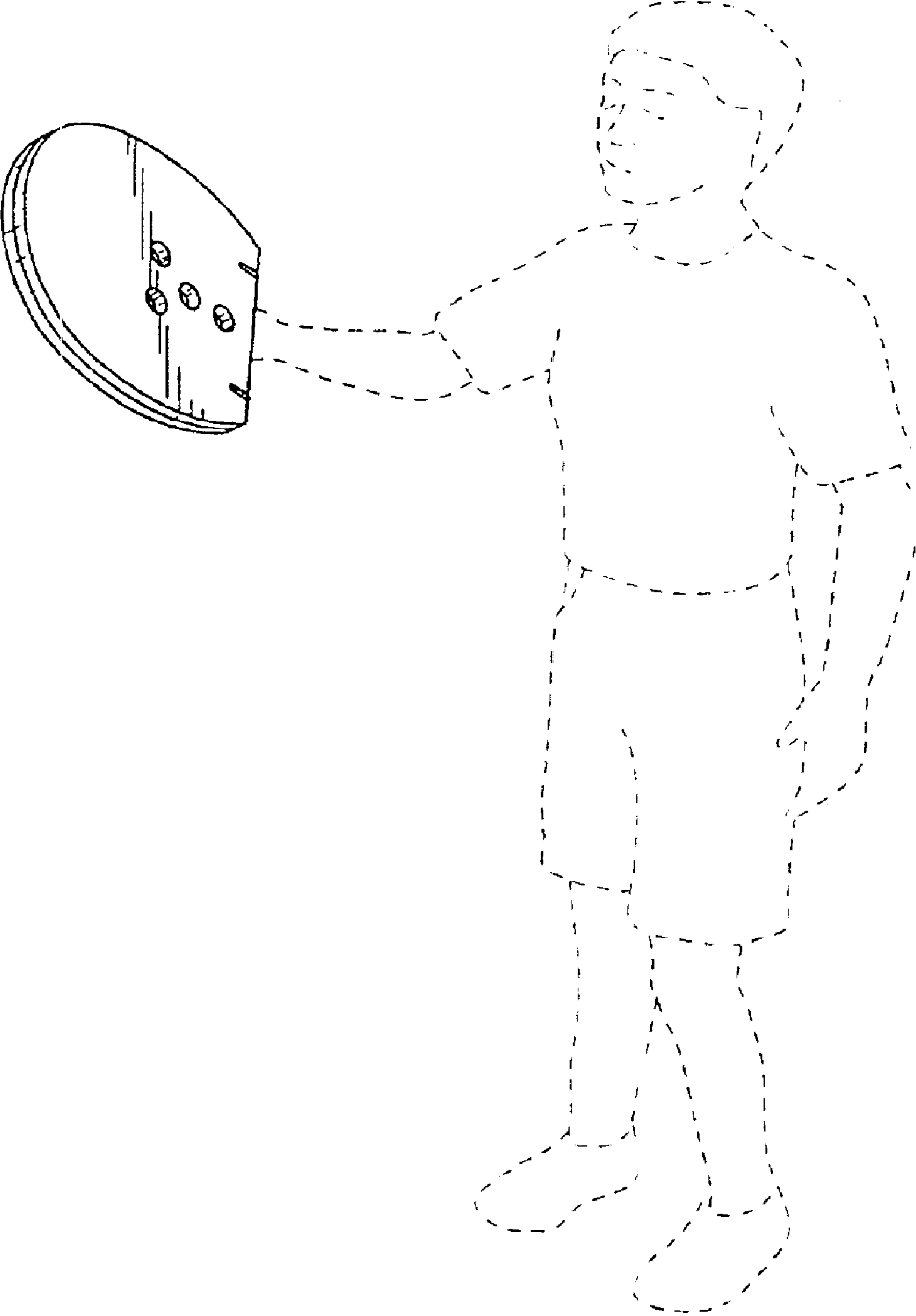


FIG. 1

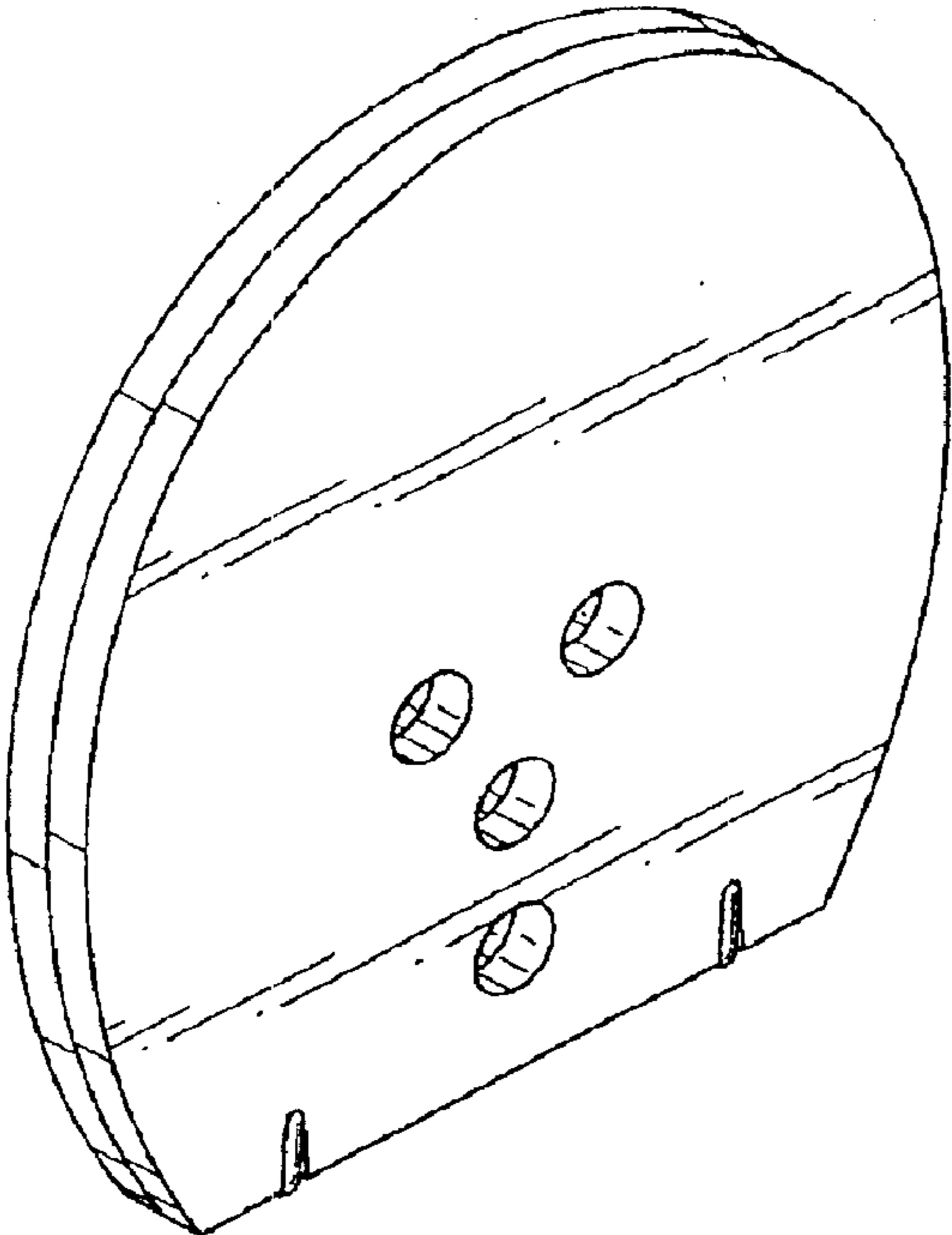


FIG. 2

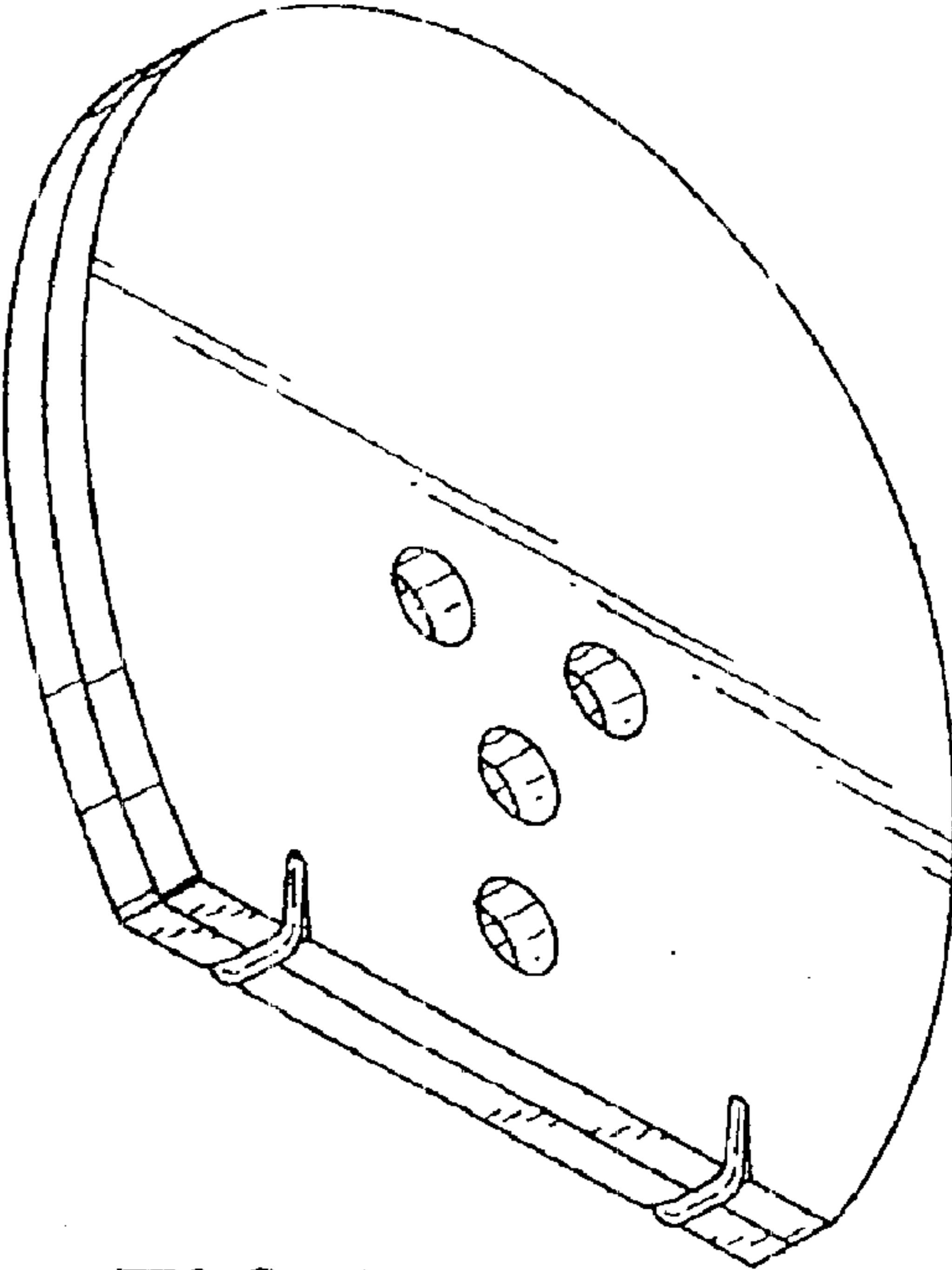


FIG. 3

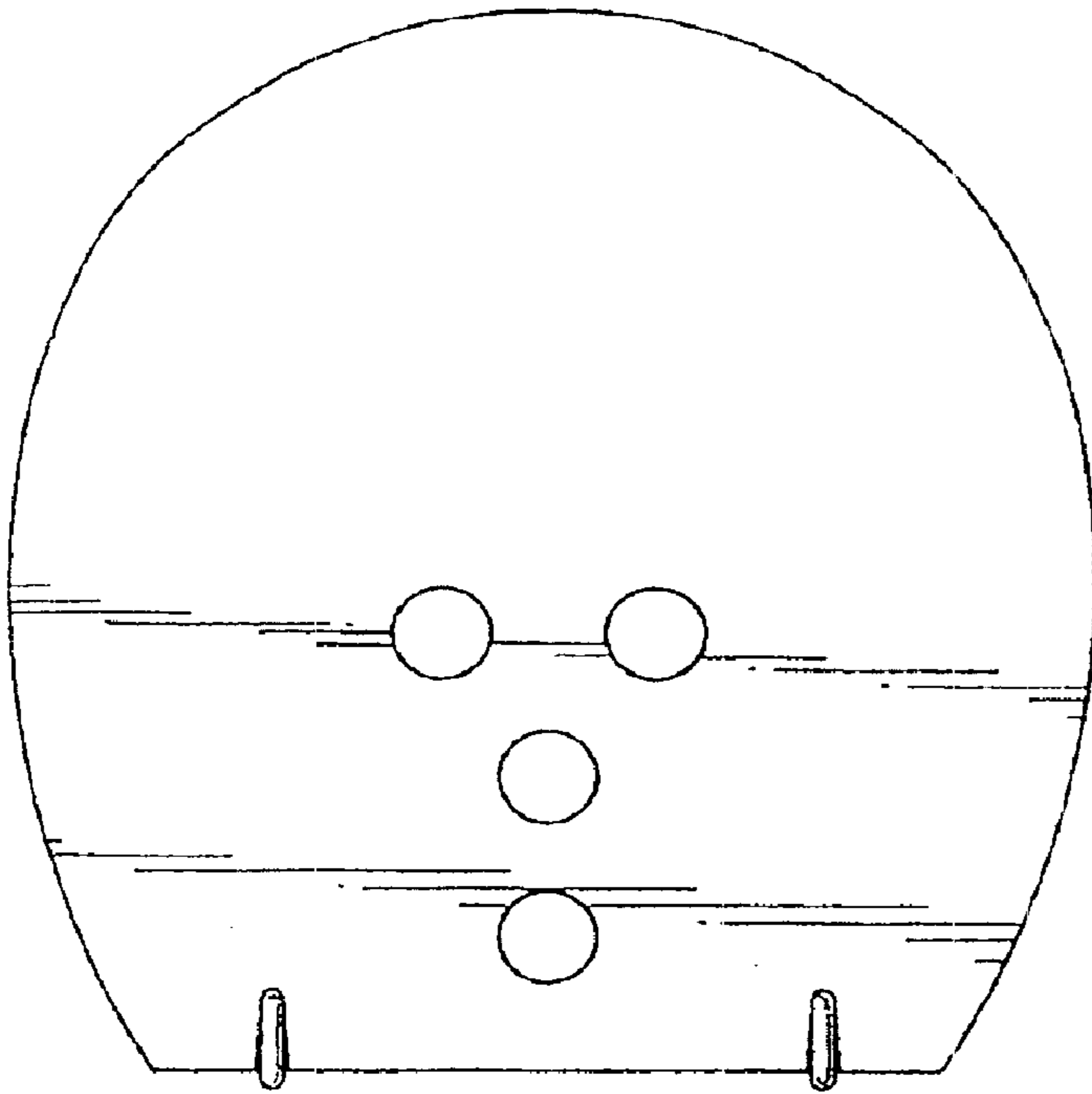


FIG.4

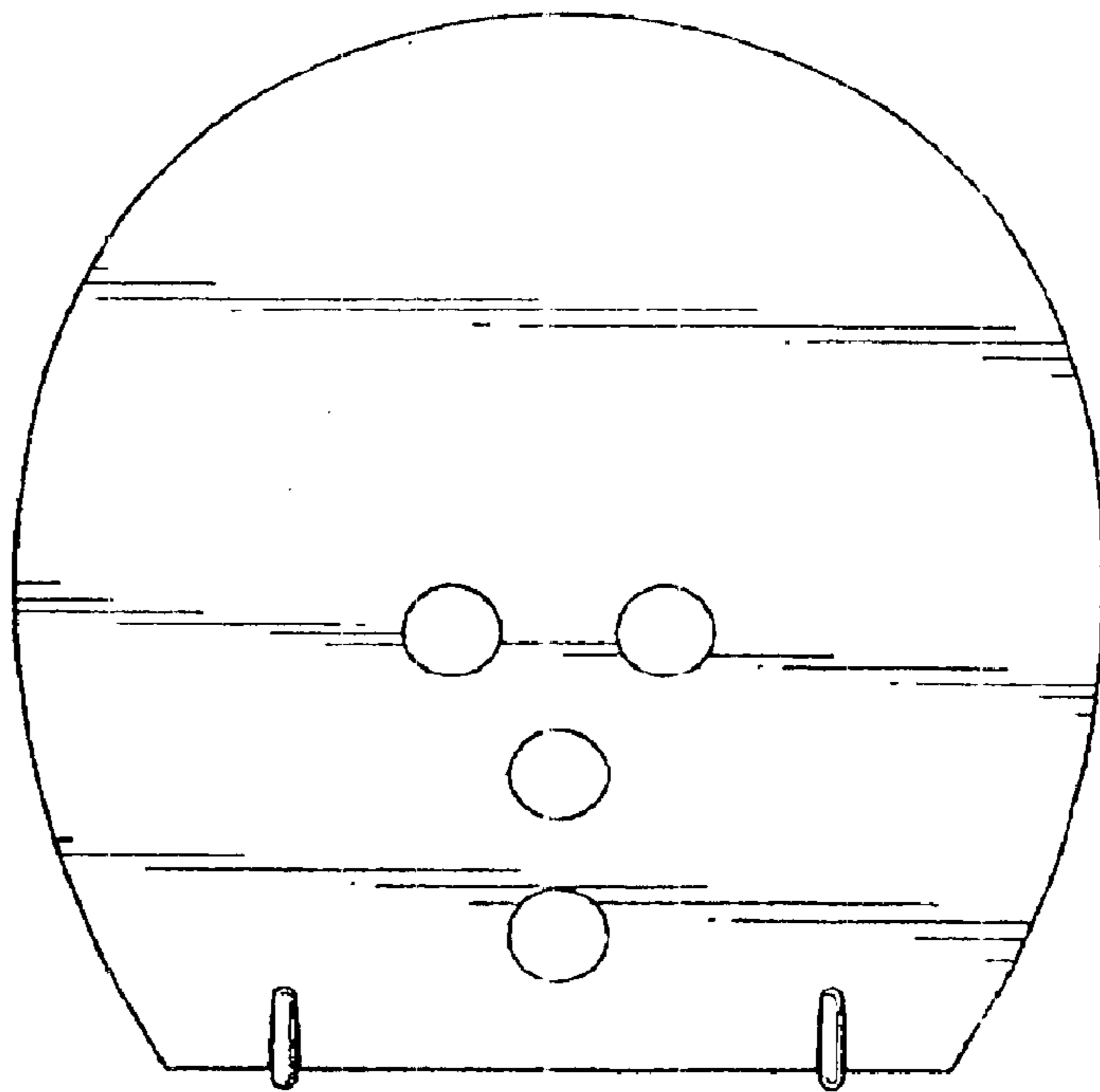


FIG.5

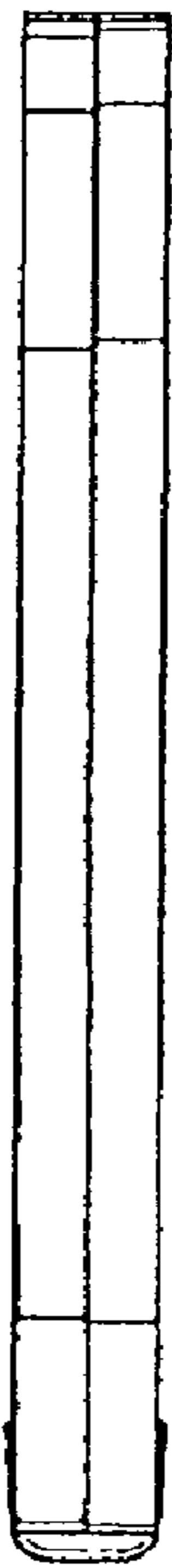


FIG. 6



FIG. 7

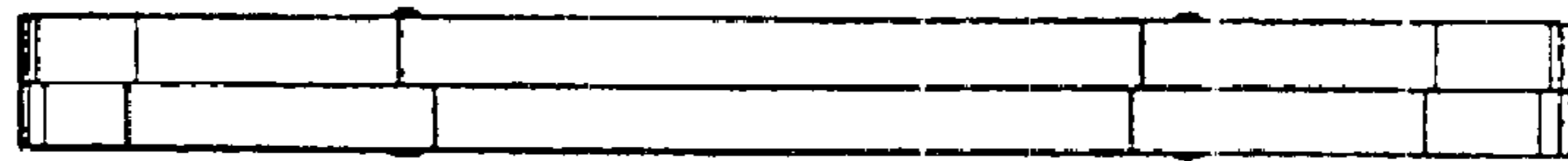


FIG. 8

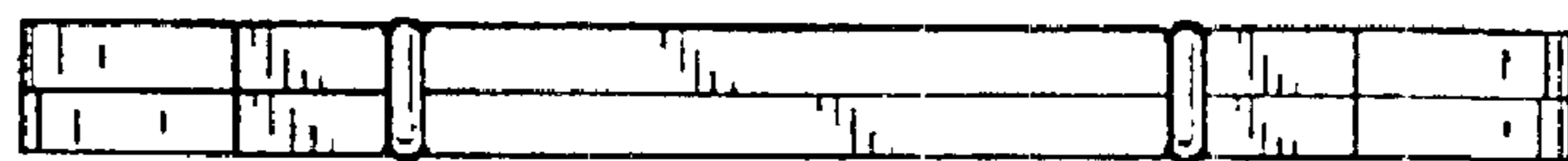


FIG. 9