

US00D501517S

(12) **United States Design Patent**  
**Vodhanel, Jr.**

(10) **Patent No.: US D501,517 S**  
(45) **Date of Patent: \*\* Feb. 1, 2005**

(54) **FLYING DISC FOR DISC GOLF**  
(76) **Inventor: Joseph J. Vodhanel, Jr.**, 10937  
Groveland Ave., Whittier, CA (US)  
90603  
(\*\*) **Term: 14 Years**

5,411,265 A \* 5/1995 Falco ..... 473/196  
D402,318 S \* 12/1998 Dunipace ..... D21/443  
6,250,635 B1 \* 6/2001 Chittenden ..... 273/400  
D466,954 S \* 12/2002 Vodhanel, Jr. .... D21/443  
6,672,253 B1 \* 1/2004 Viola ..... 119/709  
6,695,666 B2 \* 2/2004 Nikonorov ..... 446/46  
2002/0017759 A1 \* 2/2002 McClung et al. .... 273/317

**FOREIGN PATENT DOCUMENTS**

GB 2187969 A \* 9/1987 ..... A63B/65/10

\* cited by examiner

*Primary Examiner*—Stella Reid  
*Assistant Examiner*—C. Tuttle

(21) **Appl. No.: 29/209,210**  
(22) **Filed: Jul. 13, 2004**  
(51) **LOC (7) Cl. .... 21-01**  
(52) **U.S. Cl. .... D21/443**  
(58) **Field of Search** ..... D21/436-444,  
D21/707, 710, 717-719, 789-796, 387,  
390; 473/569-571, 575, 588-590, 150,  
170, 172-174, 186, 195, 278, 279, 387,  
394, 405, 406; 446/46-48; 273/317.2, 348,  
400, 401, 407, 288, 290, 291

(57) **CLAIM**

I claim the ornamental design for the “flying disc for disc golf,” as shown and described.

**DESCRIPTION**

FIG. 1 is a top plan view of a “flying disc for disc golf” showing my new design;  
FIG. 2 is a front elevational view; the rear, the left, and right elevational views are identical thereof;  
FIG. 3 is a bottom plan view thereof;  
FIG. 4 is a cross sectional view taken along the line 4—4 of FIG. 1 thereto; and,  
FIG. 5 is a front perspective view thereof.

(56) **References Cited**

**U.S. PATENT DOCUMENTS**

4,039,189 A \* 8/1977 Headrick et al. .... 273/400  
4,112,612 A \* 9/1978 Woods ..... 446/48  
4,157,631 A \* 6/1979 Kifferstein et al. .... 446/46  
4,205,484 A \* 6/1980 Kovac et al. .... 446/46  
D295,429 S \* 4/1988 Sandeen ..... D21/443  
4,889,347 A \* 12/1989 Mineart ..... 473/588  
4,906,007 A \* 3/1990 Mitchell et al. .... 473/589

**1 Claim, 2 Drawing Sheets**

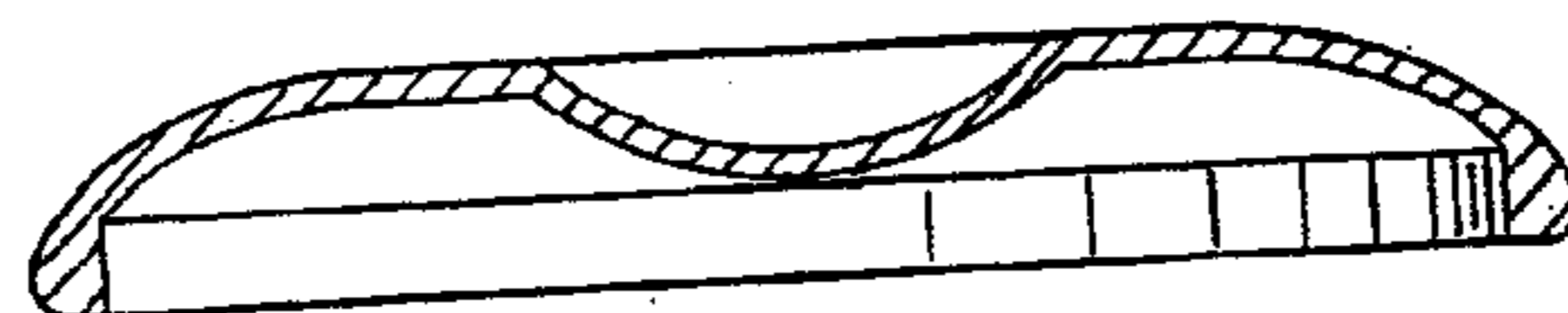
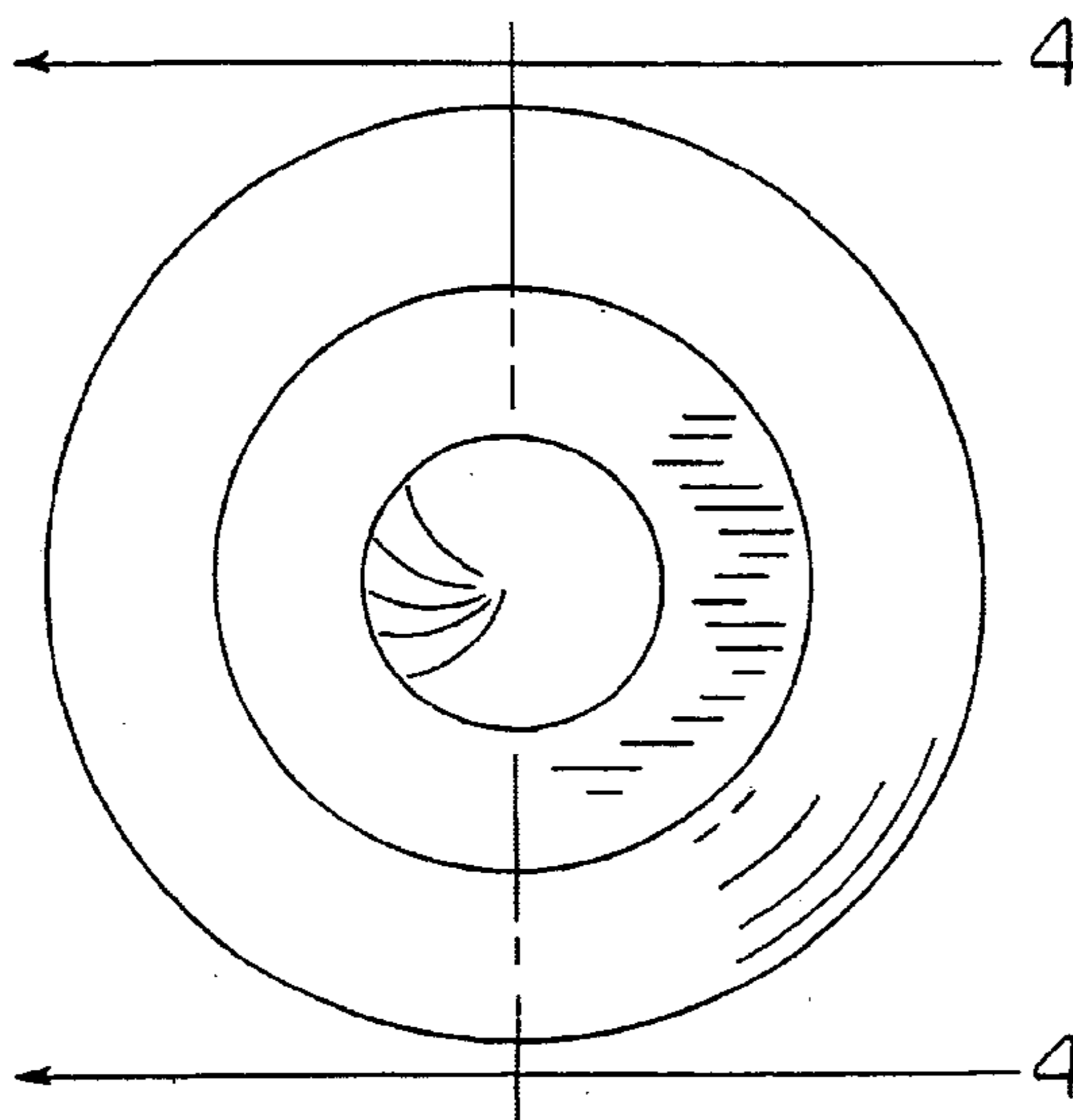


FIG. 1

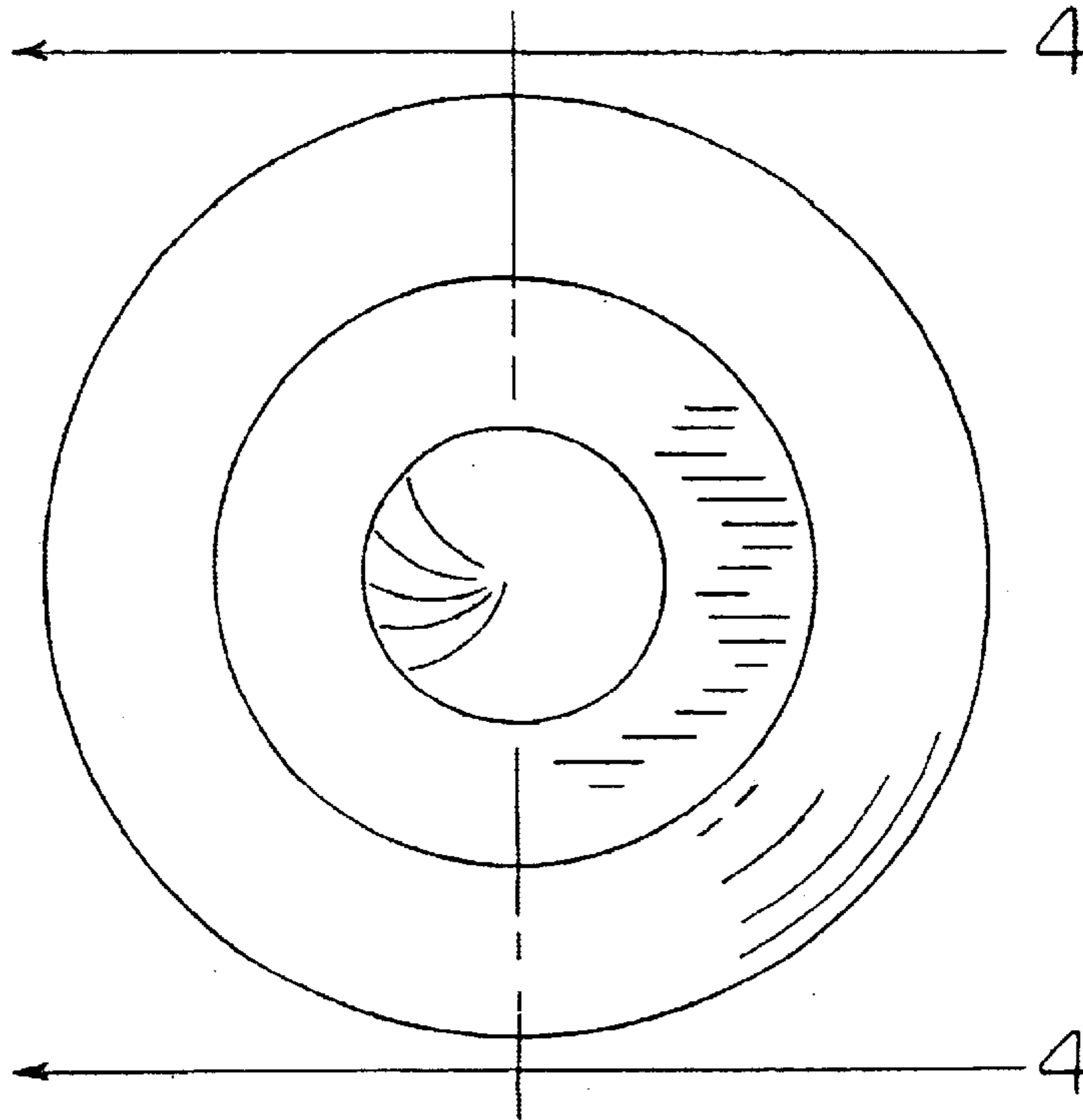
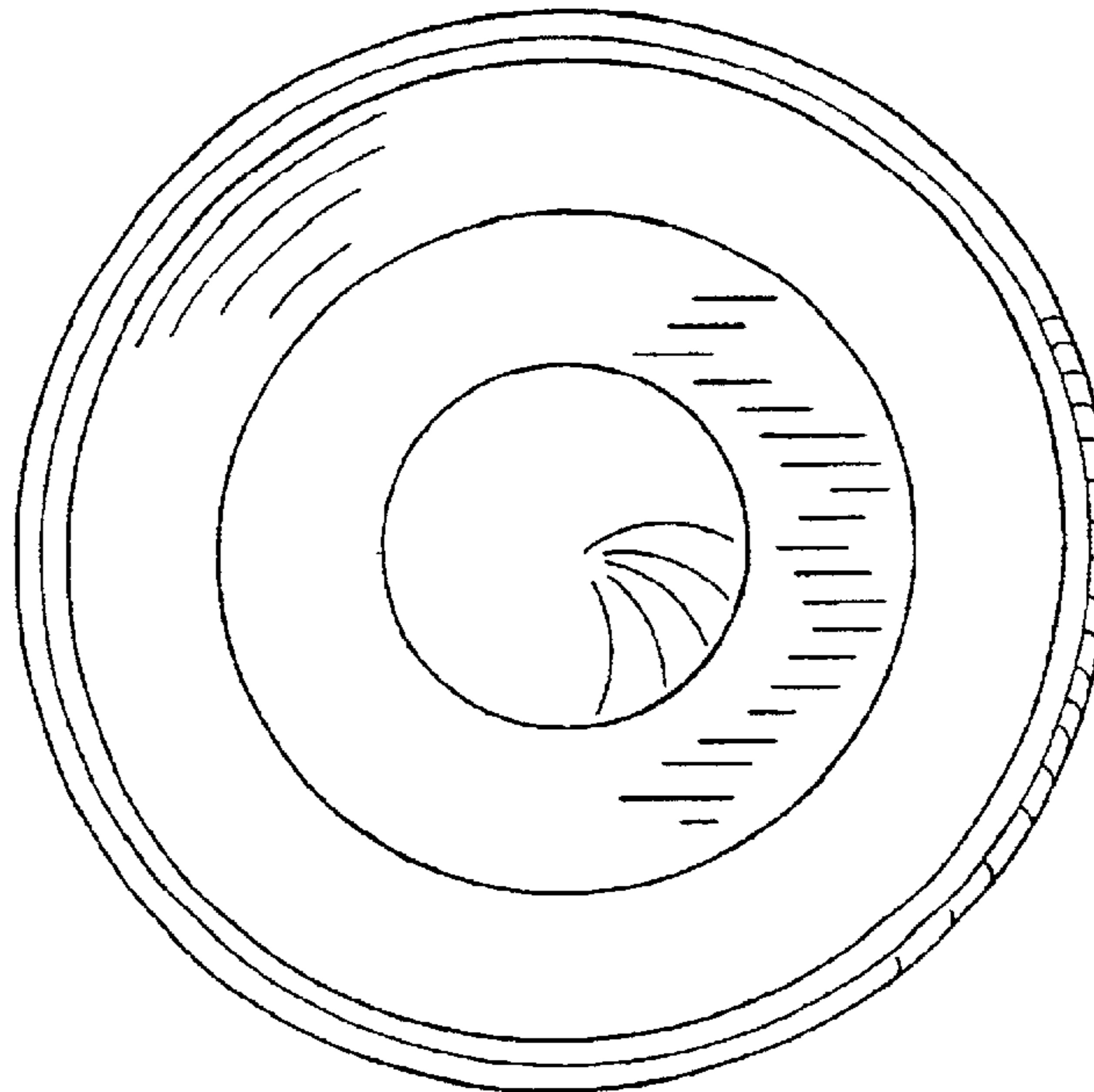


FIG. 2



FIG. 3



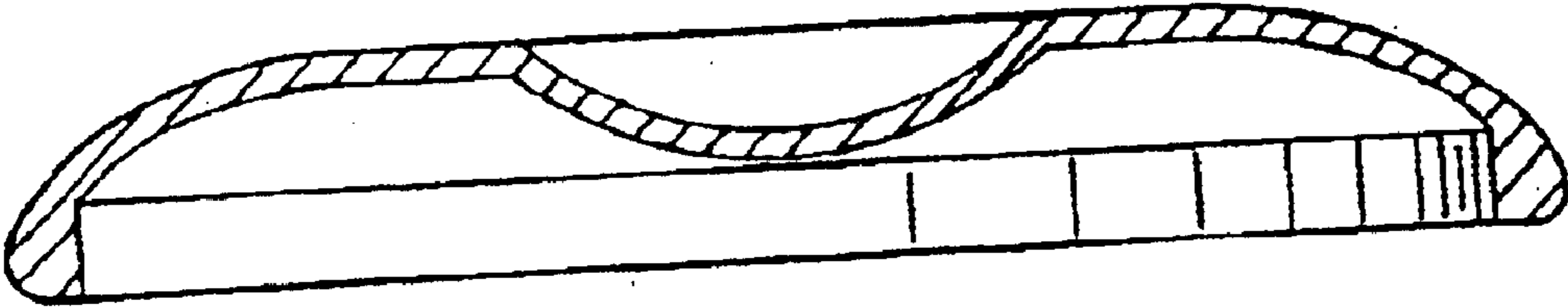


FIG. 4

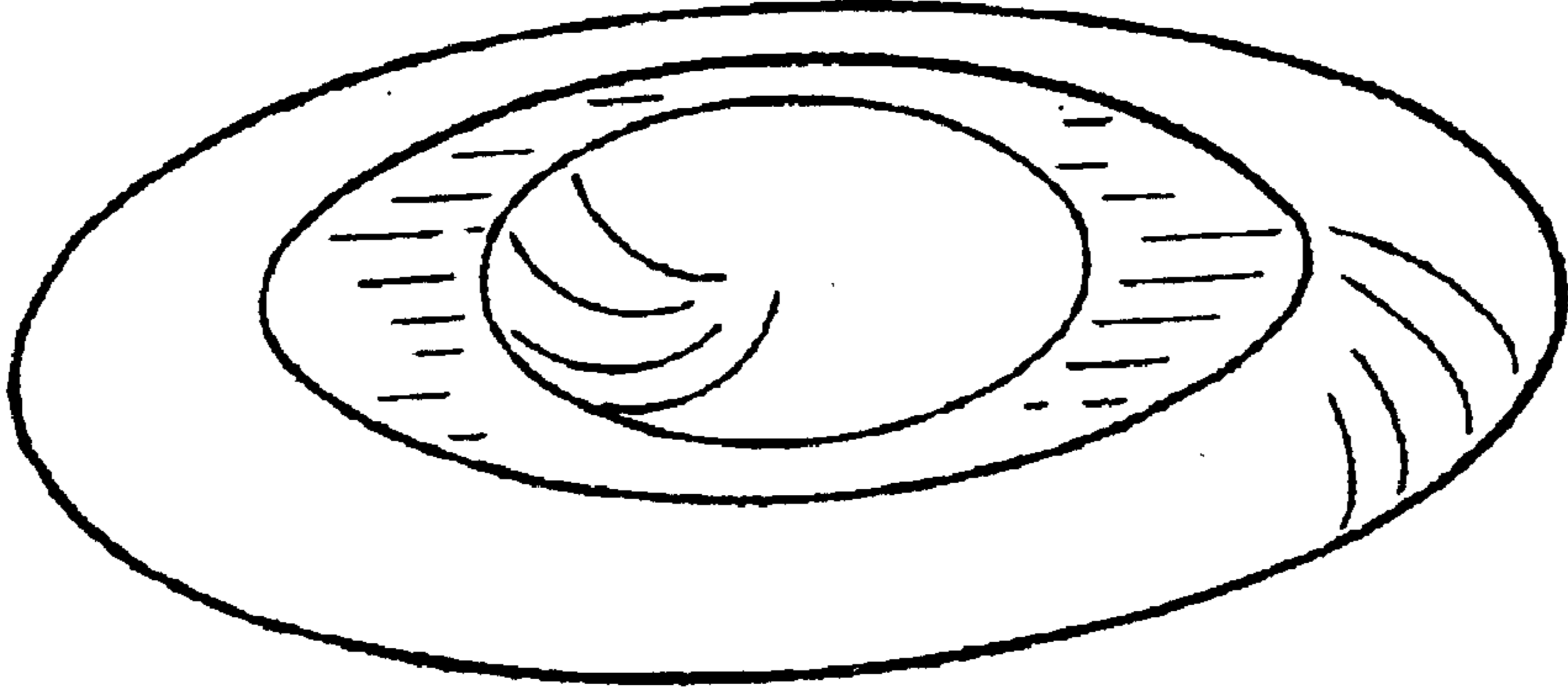


FIG. 5