

US00D501513S

(12) **United States Design Patent** (10) **Patent No.:** **US D501,513 S**
Linyear et al. (45) **Date of Patent:** **** Feb. 1, 2005**

(54) **COPY HOLDER**

(75) Inventors: **Richard A. Linyear**, Chesapeake, VA (US); **Jessie B. Linyear**, 700 Harbour Quay, Chesapeake, VA (US) 23320

(73) Assignees: **Richard A. Linyear, Sr.**, Smithfield, VA (US); **Jessie B. Linyear**, Smithfield, VA (US)

(**) Term: **14 Years**

(21) Appl. No.: **29/198,465**

(22) Filed: **Jan. 30, 2004**

(51) **LOC (7) Cl.** **19-02**

(52) **U.S. Cl.** **D19/91; D19/88**

(58) **Field of Search** D14/447, 448, D14/451; D19/52, 65, 88, 90, 86, 91, 99, 100; 248/441.1, 442.2, 445, 446, 447, 450, 453, 454, 455, 459, 458, 460, 462, 465, 918; 281/34, 29, 36

(56) **References Cited**

U.S. PATENT DOCUMENTS

1,086,906 A	2/1914	Felten	
3,119,194 A *	1/1964	Ray	248/459
3,809,352 A *	5/1974	Mathias	248/444.1
3,981,522 A *	9/1976	Bloom	281/34
4,116,414 A	9/1978	Robertson	
D262,978 S *	2/1982	Nagley	D19/91
4,544,123 A *	10/1985	Peacock	248/460

4,871,139 A *	10/1989	Loewke et al.	248/460
4,880,327 A	11/1989	Sanabria	
5,230,535 A	7/1993	Figlenski	
5,651,524 A *	7/1997	Calfee	248/442.2
5,722,628 A	3/1998	Menaged	
5,810,316 A *	9/1998	Eby	248/451
5,829,787 A	11/1998	Newhouse, Jr.	
5,855,329 A	1/1999	Pagano	
5,918,848 A	7/1999	Rini	
D437,600 S *	2/2001	Calfee	D14/447
6,220,559 B1 *	4/2001	Chow	248/445
6,270,049 B1	8/2001	Olvey	
6,283,432 B1 *	9/2001	Hoose, Jr.	248/441.1
6,367,760 B1	4/2002	Pagano	
6,435,466 B1	8/2002	Adams	

* cited by examiner

Primary Examiner—Martie K. Holtje

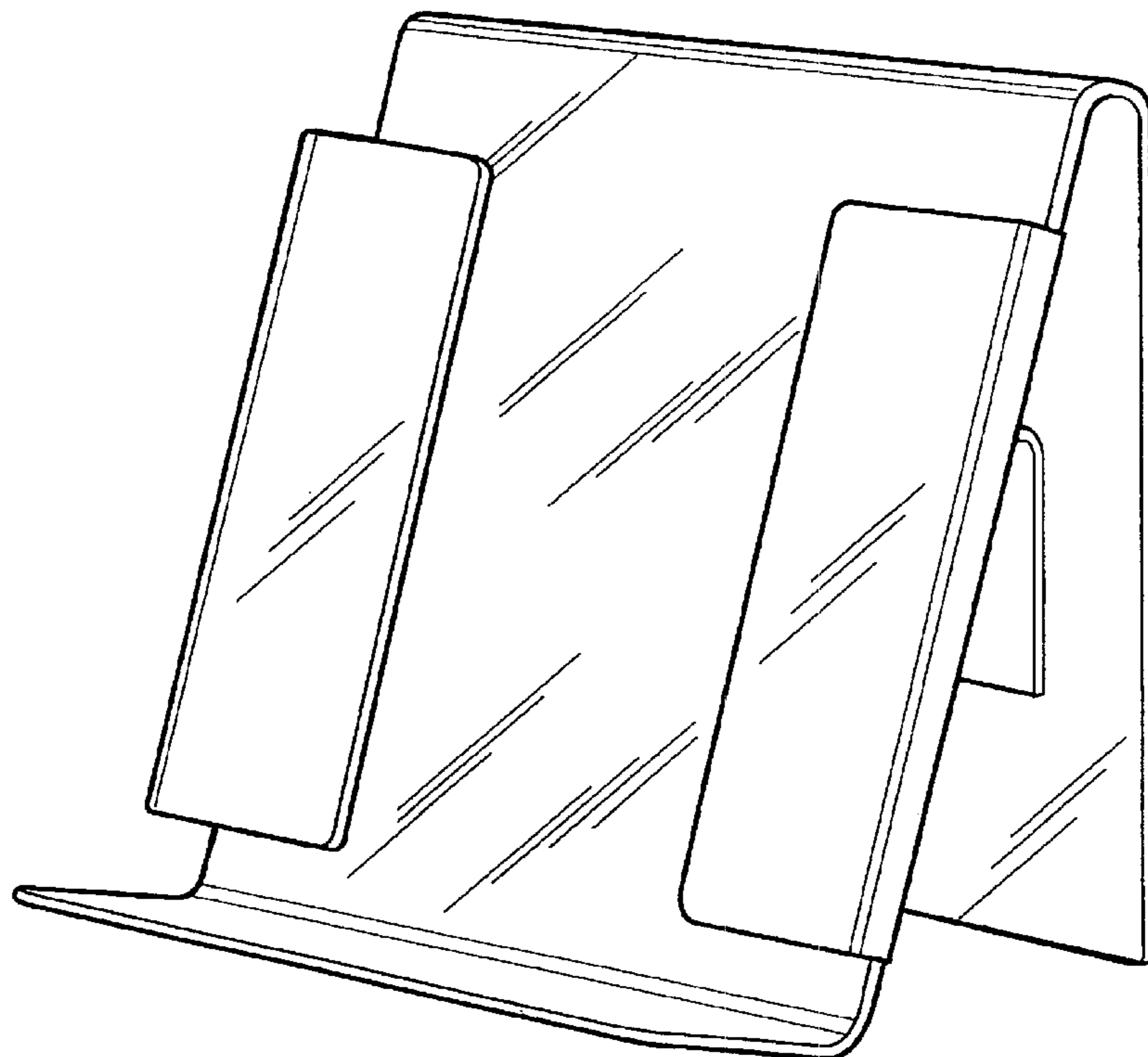
(57) **CLAIM**

The ornamental design for a copy holder, as shown.

DESCRIPTION

FIG. 1 is a perspective view of a copy holder showing our new design;
 FIG. 2 is a front elevational view thereof;
 FIG. 3 is a rear elevational view thereof;
 FIG. 4 is a right side elevational view thereof;
 FIG. 5 is a left side elevational view thereof;
 FIG. 6 is a bottom plan view thereof; and,
 FIG. 7 is a top plan view thereof.

1 Claim, 4 Drawing Sheets



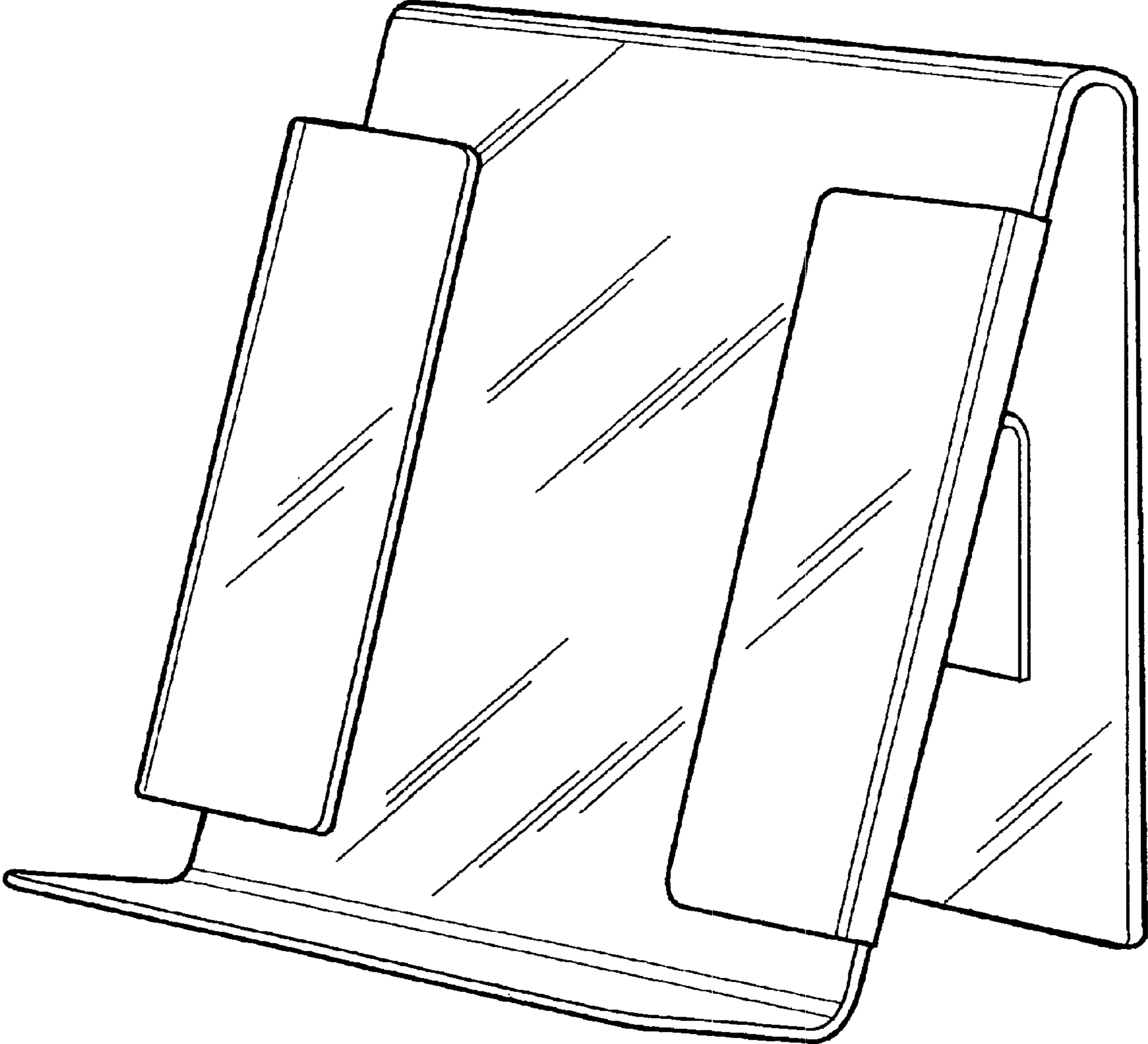


FIG. 1

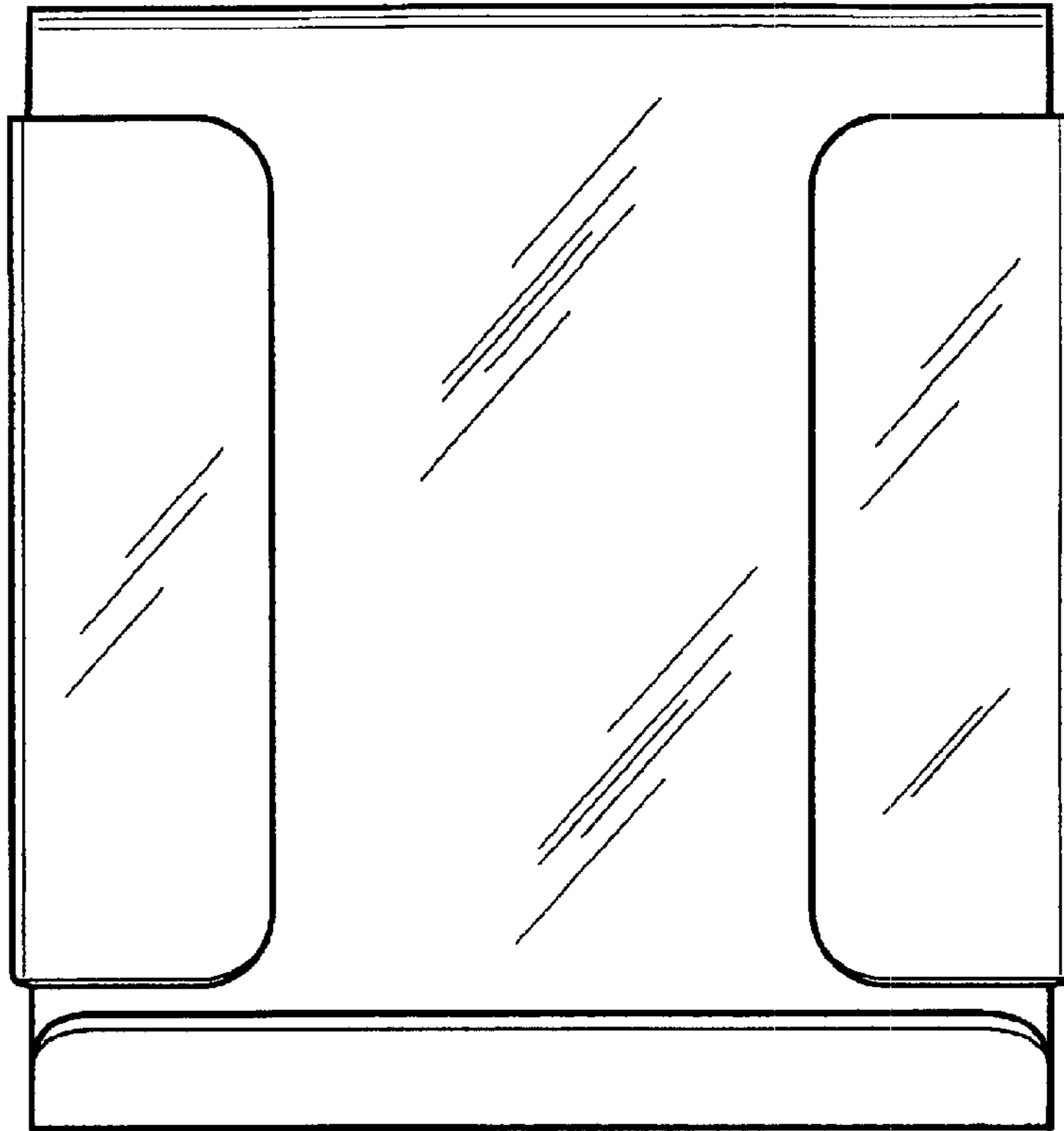


FIG. 2

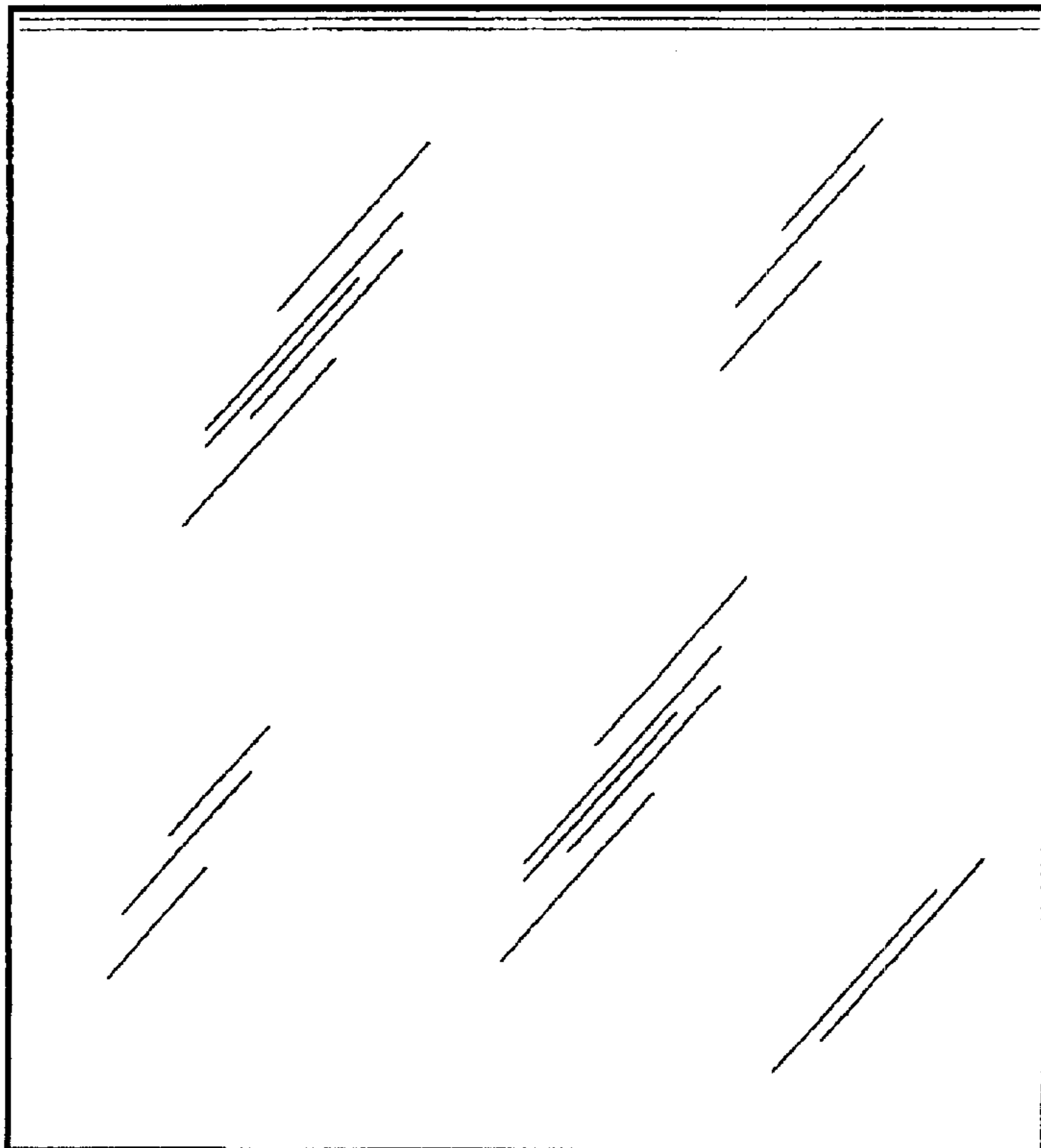


FIG. 3

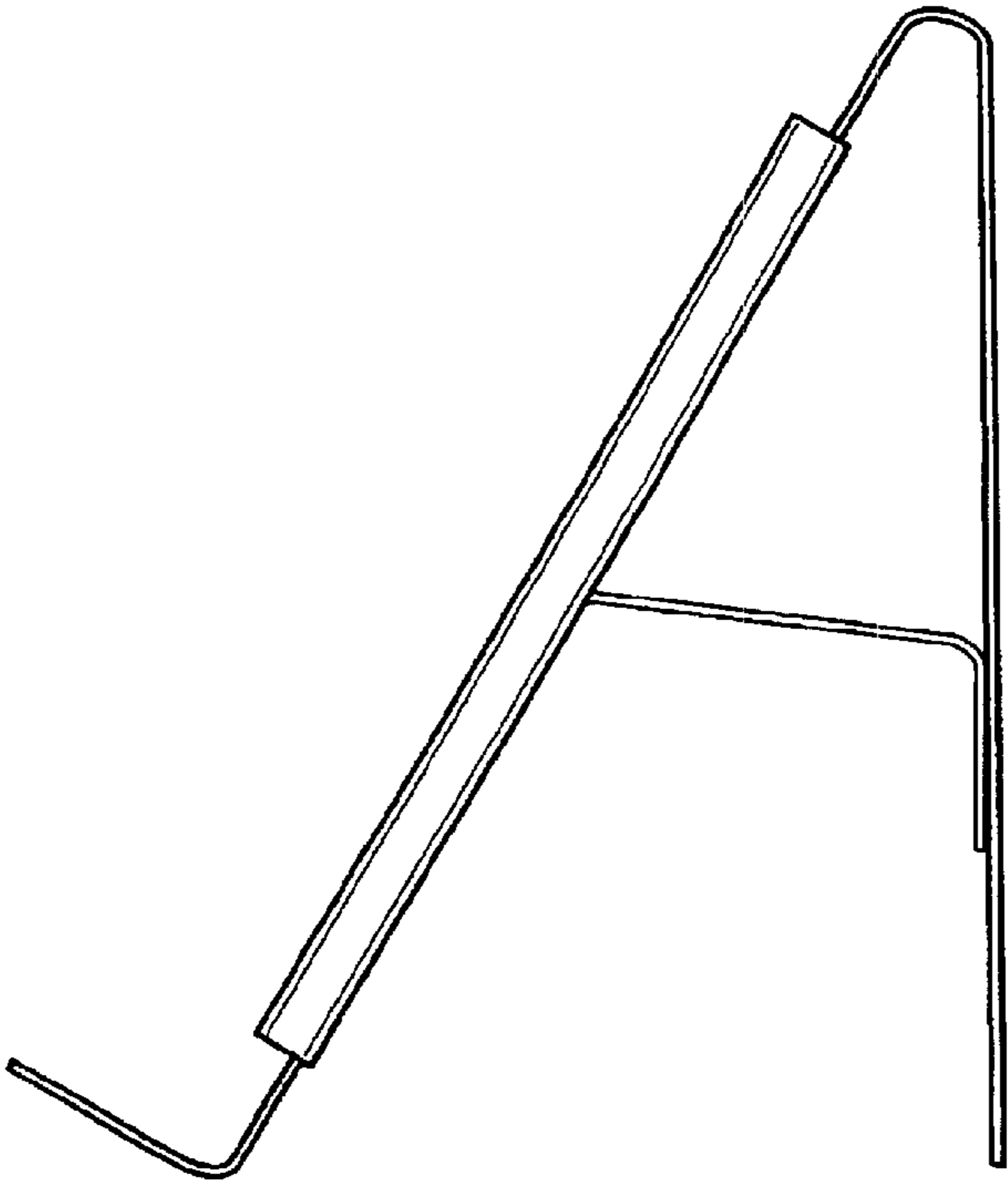


FIG. 4

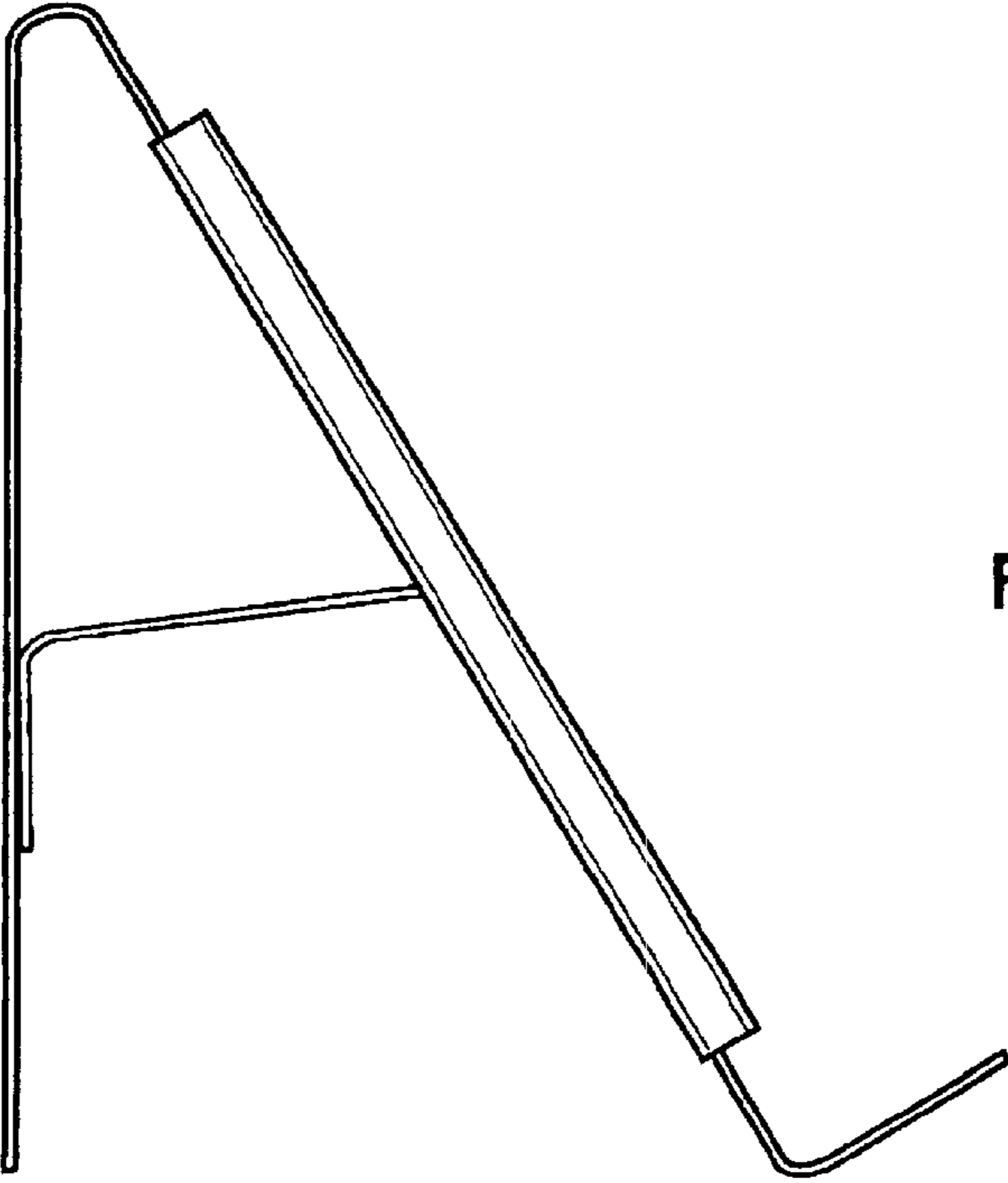


FIG. 5

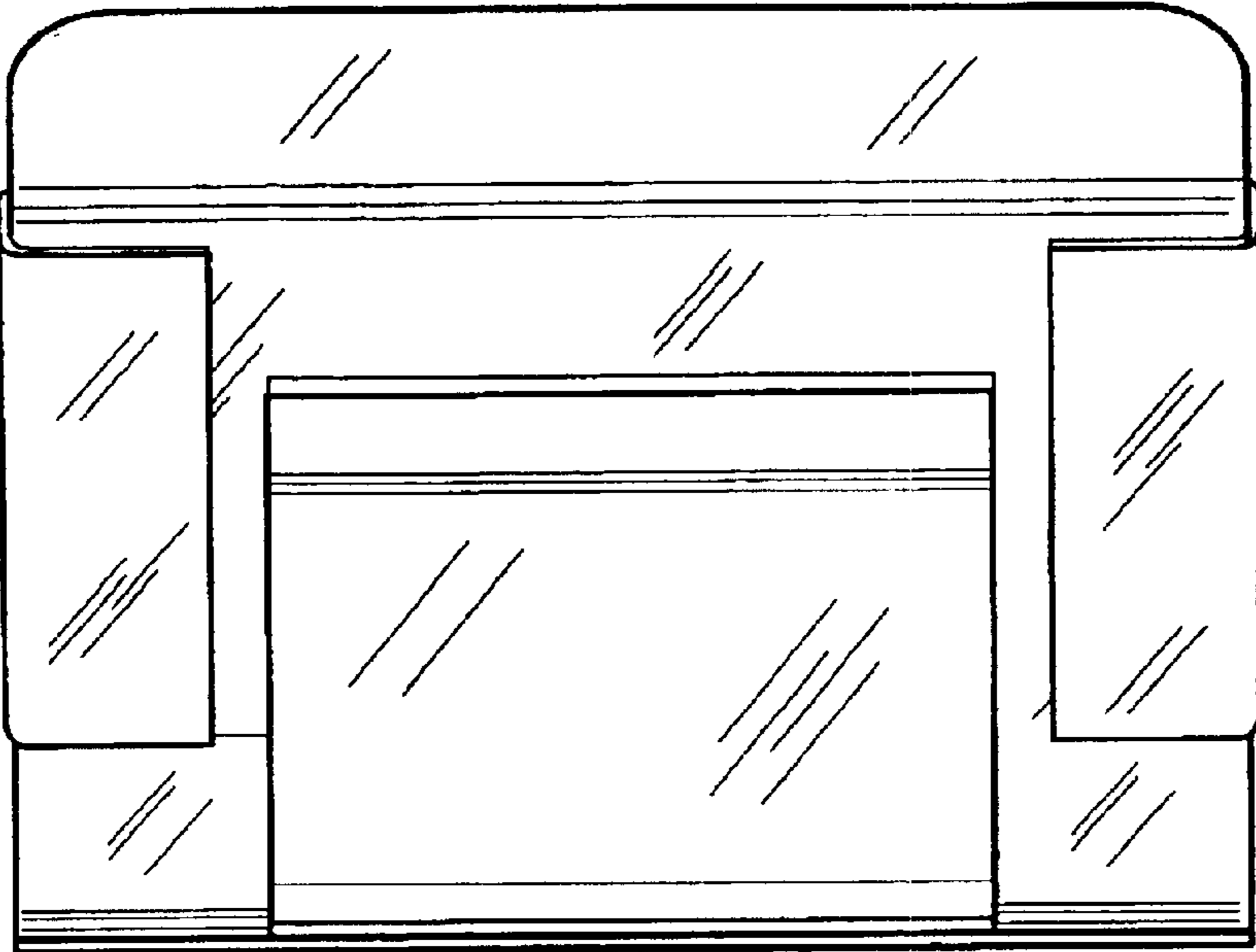


FIG. 6

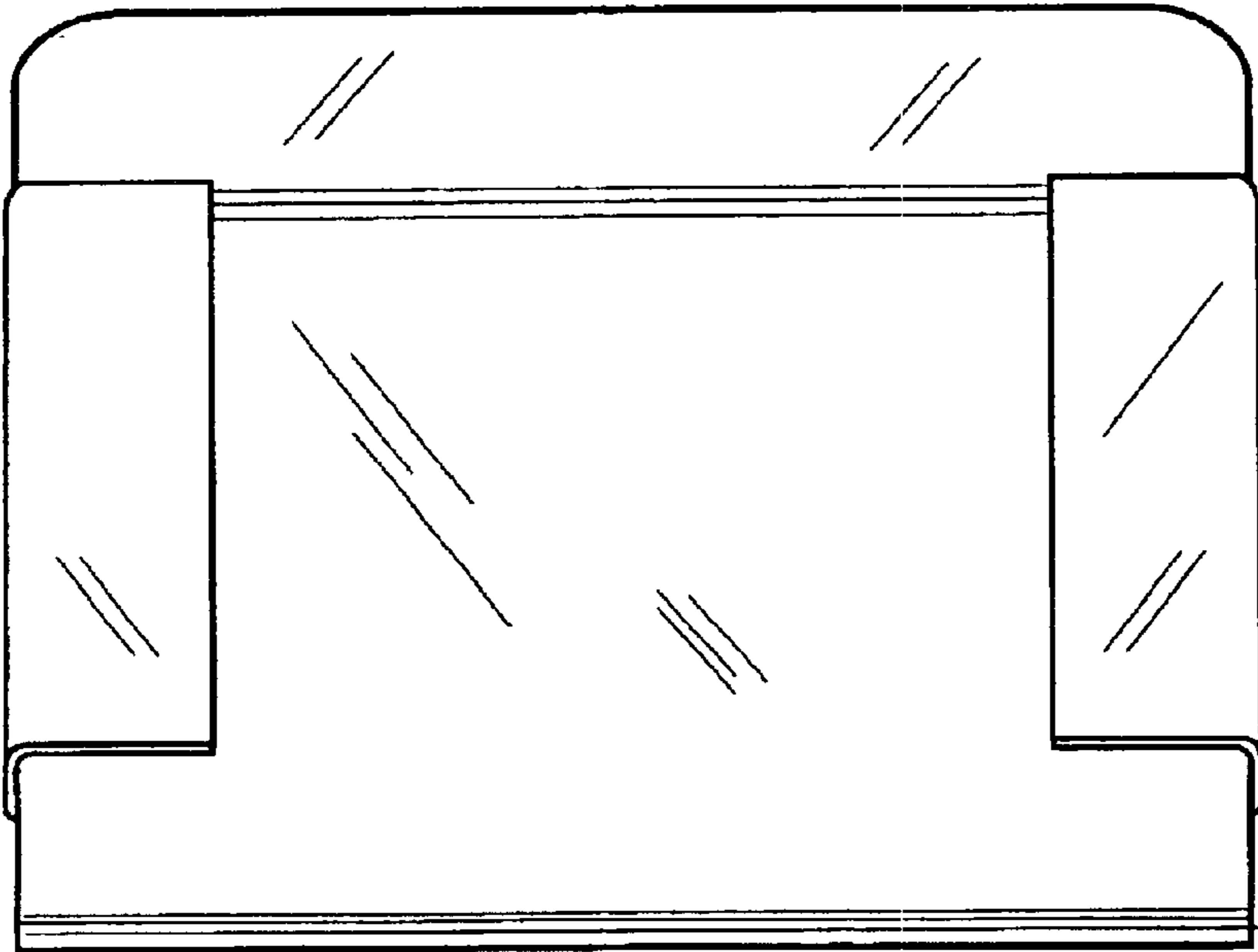


FIG. 7