



US00D501512S

(12) **United States Design Patent**  
**Shova et al.**

(10) **Patent No.:** **US D501,512 S**  
(45) **Date of Patent:** **\*\* Feb. 1, 2005**

(54) **CAP FOR MATERIAL DISPENSER**

(75) Inventors: **Brian Martin Shova**, Columbus, OH (US); **Jamison Float**, Westerville, OH (US); **James Huang Lua**, Barberton, OH (US); **Donald James Staufenberg**, Dublin, OH (US)

(73) Assignee: **Elmer's Products, Inc.**, Columbus, OH (US)

(\*\*) Term: **14 Years**

(21) Appl. No.: **29/200,846**

(22) Filed: **Mar. 4, 2004**

(51) **LOC (7) Cl.** ..... **19-06**

(52) **U.S. Cl.** ..... **D19/66; D19/56; D19/57**

(58) **Field of Search** ..... D19/35, 36, 41-51, D19/53-58, 81-85, 66, 70, 71; 401/98, 184, 186, 196-202, 213, 243-247, 260-262

(56) **References Cited**

**U.S. PATENT DOCUMENTS**

5,066,156 A	*	11/1991	Petrillo et al.	.....	401/213
D401,280 S	*	11/1998	Chevalier et al.	.....	D19/57
D441,398 S	*	5/2001	Owen et al.	.....	D19/49
D446,041 S	*	8/2001	Cooper et al.	.....	D19/43
D461,500 S	*	8/2002	Cooper et al.	.....	D19/43

D465,519 S	*	11/2002	Kennedy et al.	.....	D19/43
D484,190 S	*	12/2003	Cooper et al.	.....	D19/57
D484,538 S	*	12/2003	Daida et al.	.....	D19/43
D493,484 S	*	7/2004	Shova et al.	.....	D19/43

\* cited by examiner

*Primary Examiner*—Martie K. Holtje

(74) *Attorney, Agent, or Firm*—Kurt L. Ehresman; McNeese Wallace & Nurick LLC

(57) **CLAIM**

The ornamental design for a cap for material dispenser, as shown and described.

**DESCRIPTION**

FIG. 1 is a perspective view of a cap for material dispenser of the present invention;

FIG. 2 is a front elevational view thereof, taken in the direction of arrows 2—2 in FIG. 1;

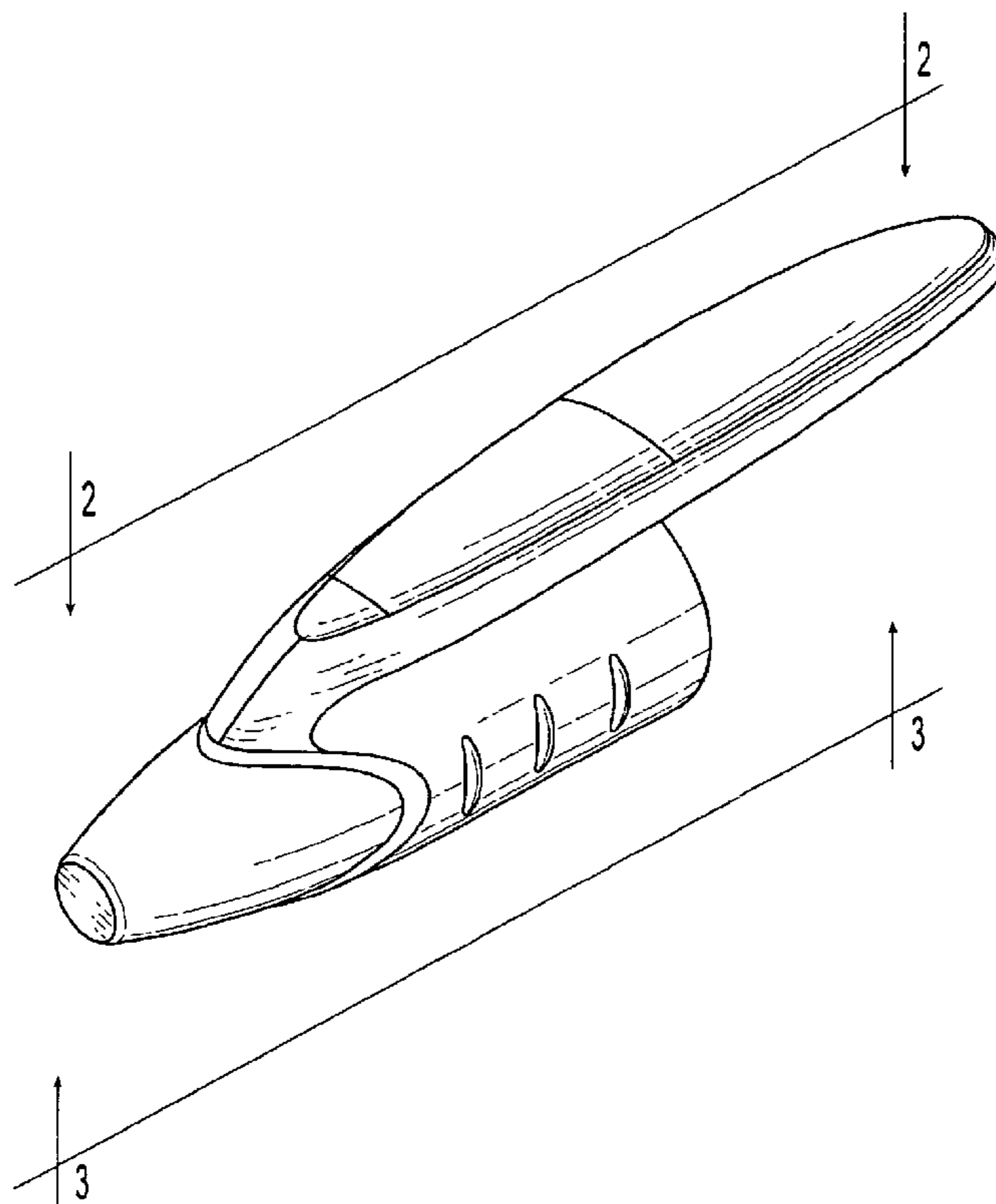
FIG. 3 is a rear elevational view thereof, taken in the direction of 3—3 in FIG. 1;

FIG. 4 is a side elevational view thereof, taken in the direction of arrows 4—4 in FIG. 2;

FIG. 5 is an end elevational view thereof, taken in the direction of arrows 5—5 in FIG. 2; and,

FIG. 6 is an end elevational view thereof, taken in the direction of arrows 6—6 in FIG. 2.

**1 Claim, 3 Drawing Sheets**



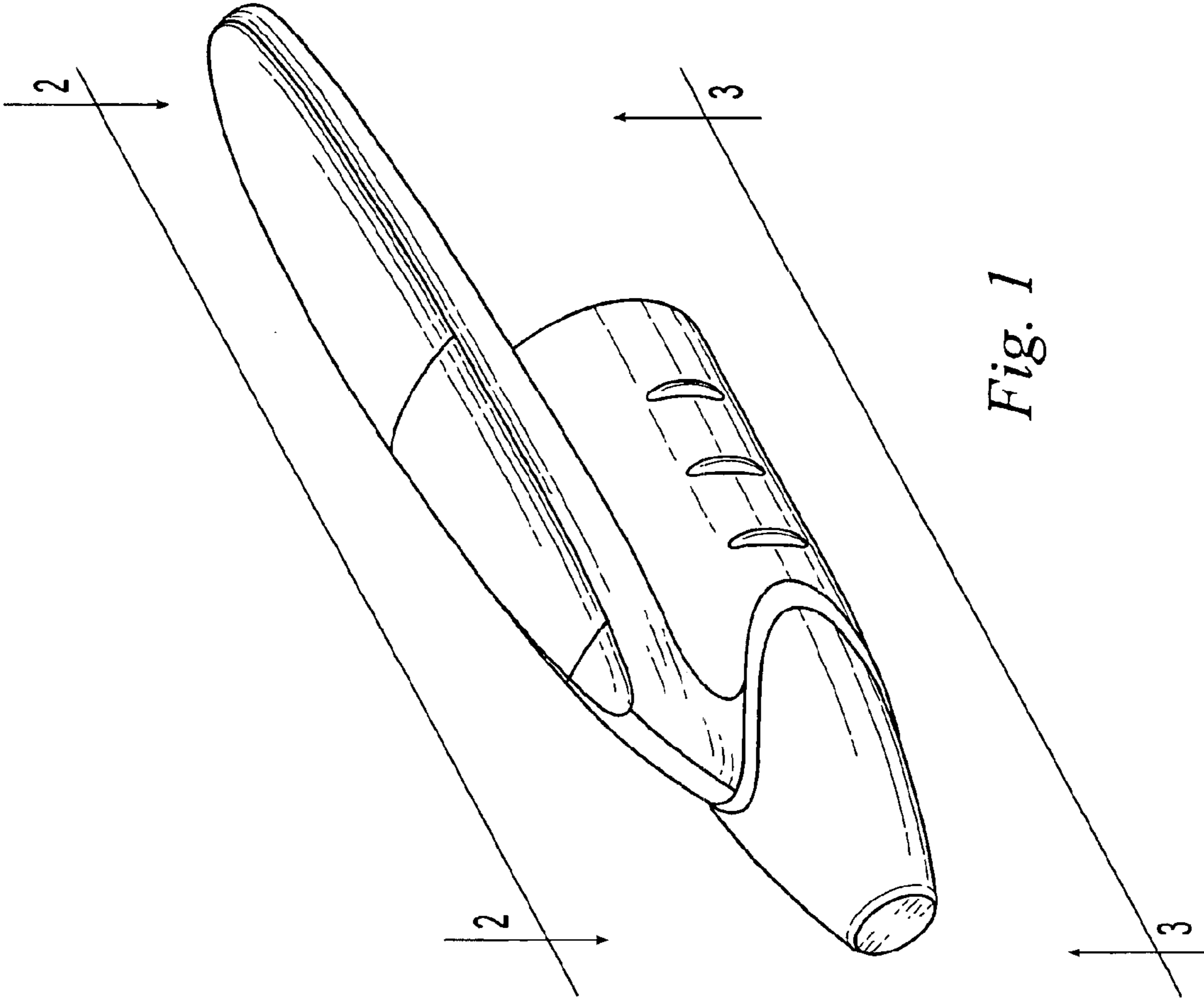
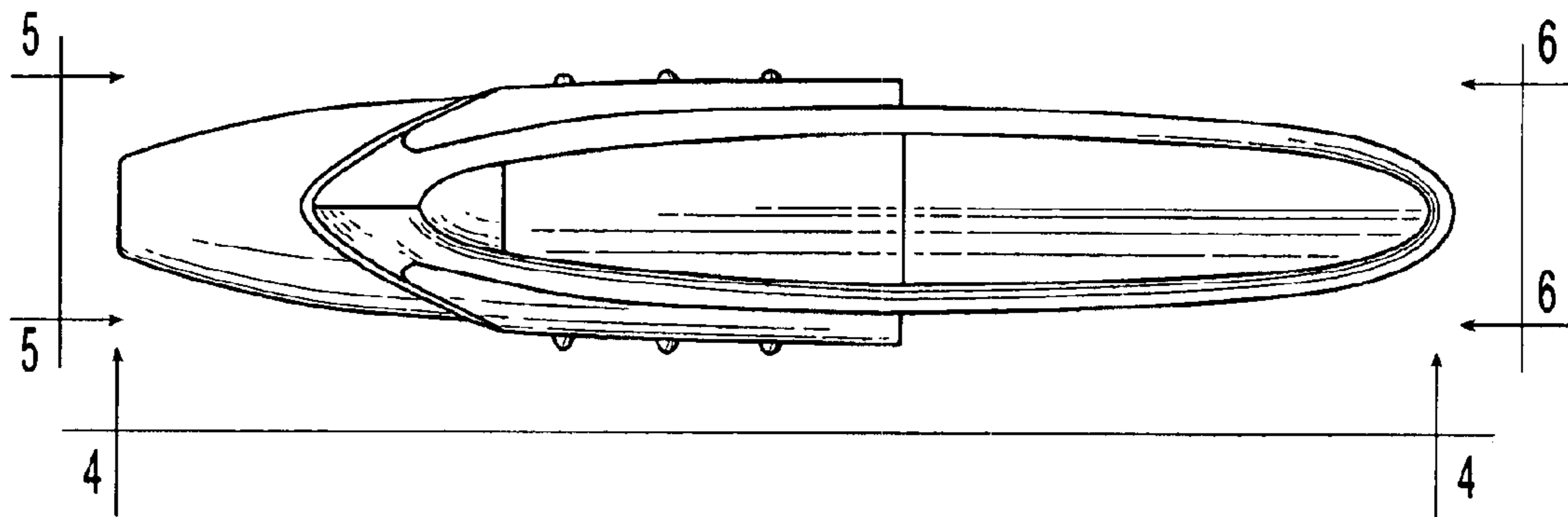
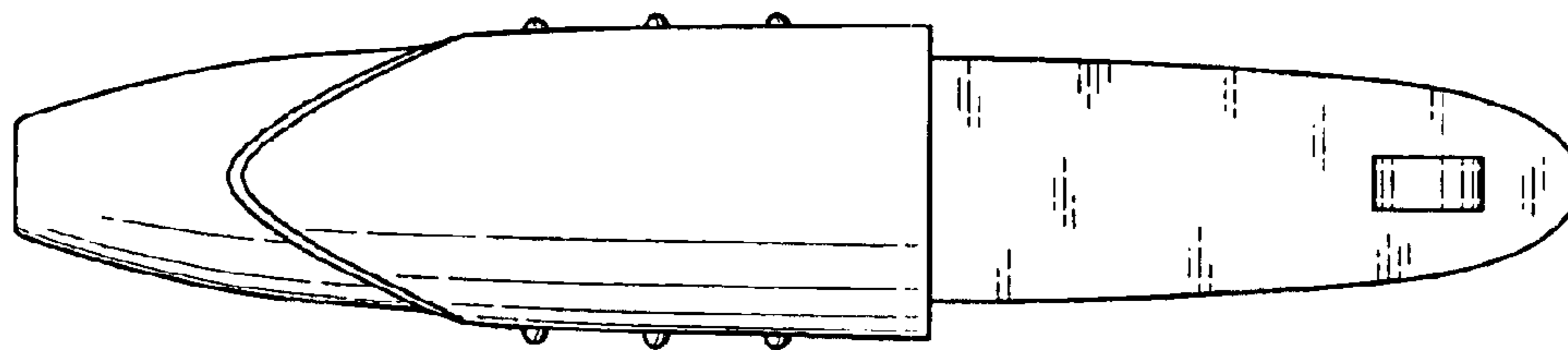


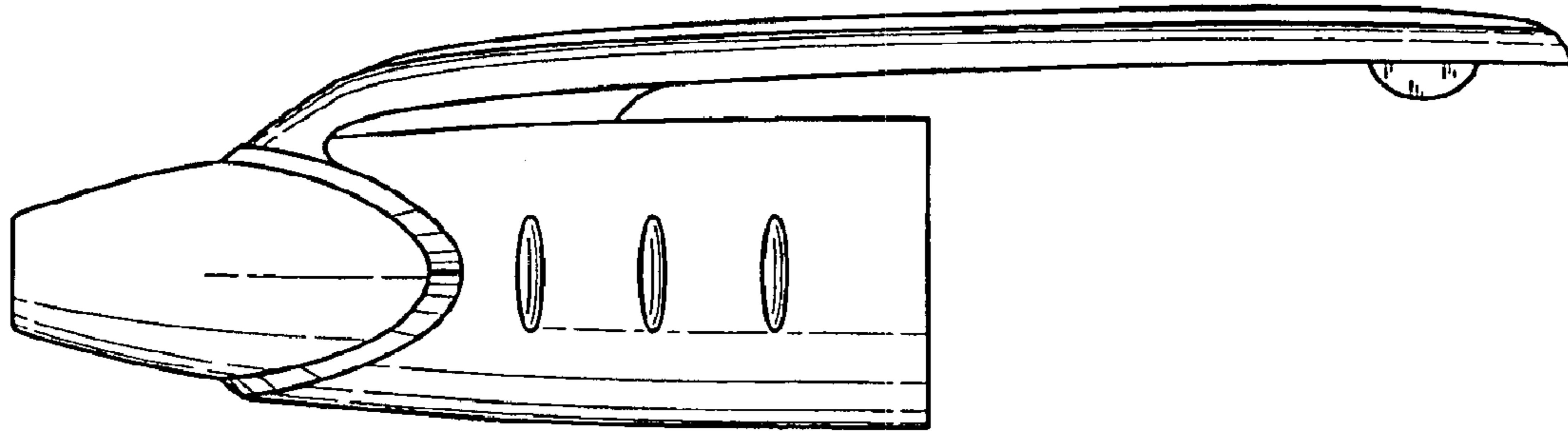
Fig. 1



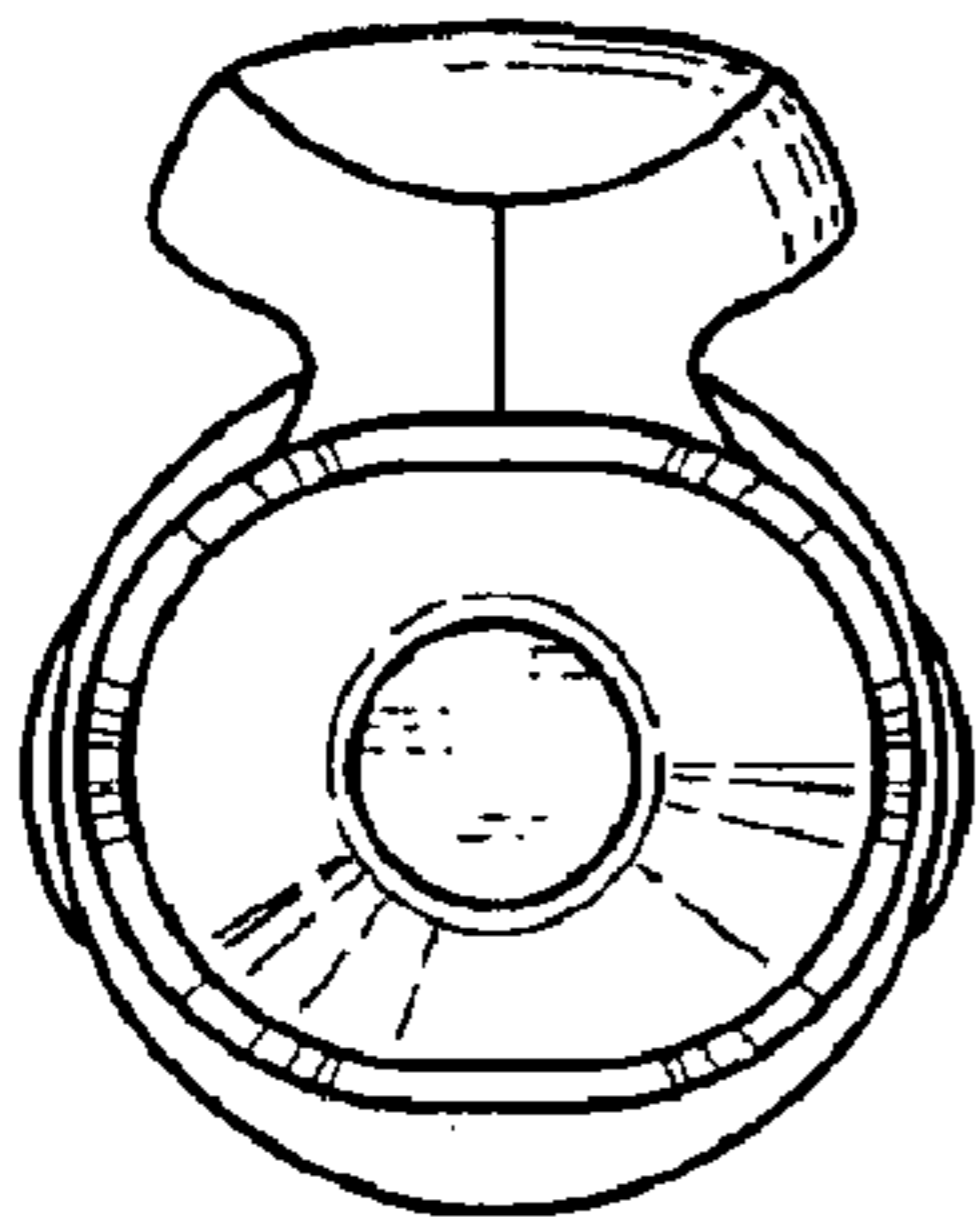
*Fig. 2*



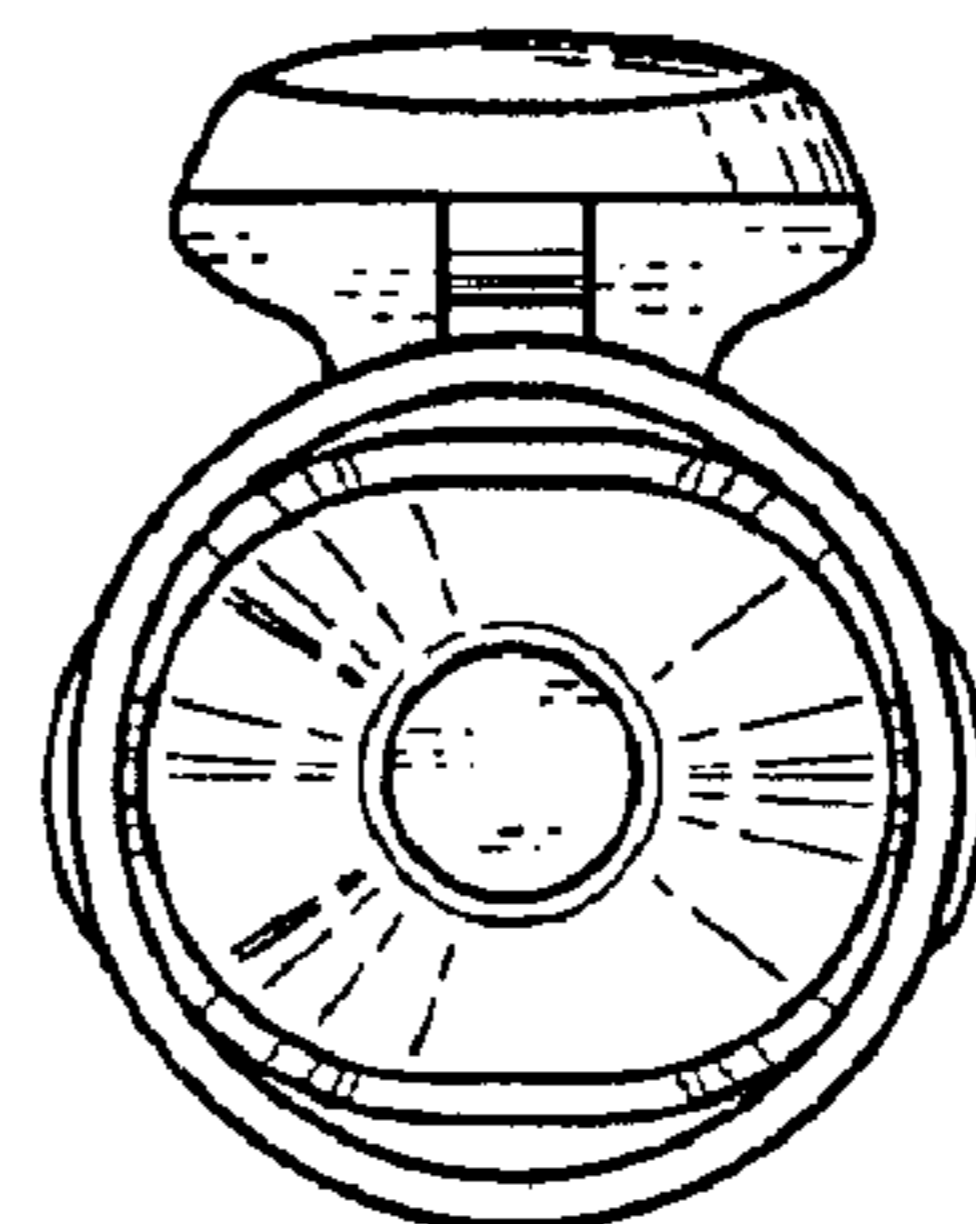
*Fig. 3*



*Fig. 4*



*Fig. 5*



*Fig. 6*