



US00D501505S

(12) **United States Design Patent**  
**Chien**

(10) **Patent No.:** **US D501,505 S**

(45) **Date of Patent:** **\*\* Feb. 1, 2005**

(54) **STYLUS**

(75) **Inventor:** **Chih-Ling Chien, Fengshan (TW)**

(73) **Assignee:** **High Tech Computer, Corp., Tao Yuan (TW)**

(\*\*) **Term:** **14 Years**

(21) **Appl. No.:** **29/171,279**

(22) **Filed:** **Nov. 19, 2002**

(30) **Foreign Application Priority Data**

Oct. 24, 2002 (TW) ..... 91306058

(51) **LOC (7) Cl.** ..... **19-06**

(52) **U.S. Cl.** ..... **D19/36; D14/411; D19/51; D19/57**

(58) **Field of Search** ..... **D19/35, 36, 41-51, D19/53-58, 81-85; 401/6, 7, 88, 17, 18, 29-34, 37, 99-117, 209; 178/19.01-19.06; 345/179-183**

(56) **References Cited**

**U.S. PATENT DOCUMENTS**

5,247,137 A \* 9/1993 Epperson ..... 178/19.04

5,564,850 A \* 10/1996 Nagaoka ..... 401/37  
D442,632 S \* 5/2001 Ono ..... D19/36  
D443,300 S \* 6/2001 Kim et al. .... D19/36  
D452,707 S \* 1/2002 Kazaoka ..... D19/36  
6,361,232 B1 \* 3/2002 Nagaoka et al. .... 401/37  
D458,635 S \* 6/2002 Boyle et al. .... D19/36  
D462,356 S \* 9/2002 Ono et al. .... D14/411

\* cited by examiner

*Primary Examiner*—Martie K. Holtje

(74) *Attorney, Agent, or Firm*—J.C. Patents

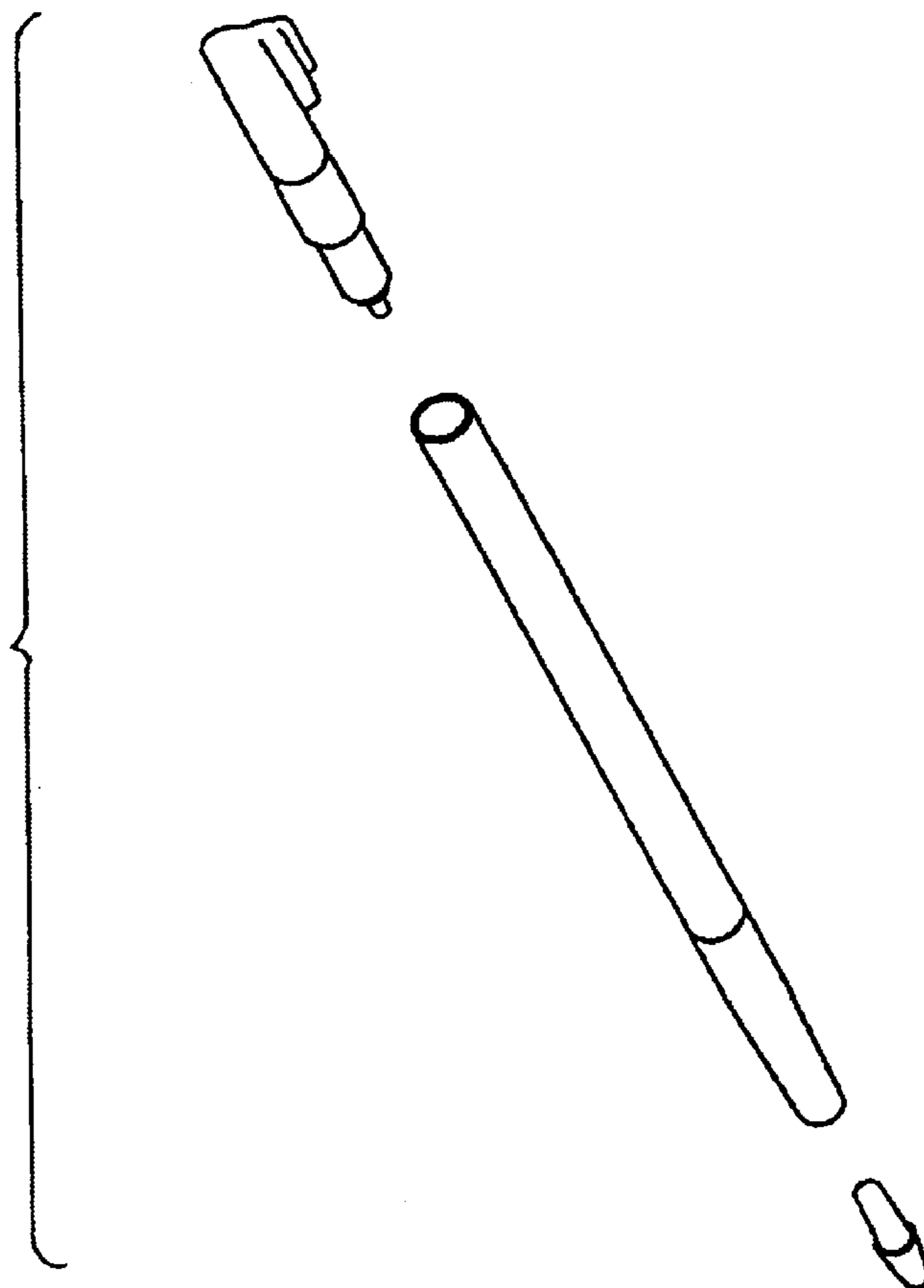
(57) **CLAIM**

The Ornamental Design for a Stylus, as substantially shown and described.

**DESCRIPTION**

FIG. 1 is a perspective view of a stylus showing my new design in an exploded condition;  
FIG. 2 is a left side elevational view thereof;  
FIG. 3 is a right side elevational view thereof;  
FIG. 4 is a front elevational view thereof;  
FIG. 5 is a rear elevational view thereof;  
FIG. 6 is an enlarged top plain view thereof; and,  
FIG. 7 is an enlarged bottom plain view thereof.

**1 Claim, 4 Drawing Sheets**



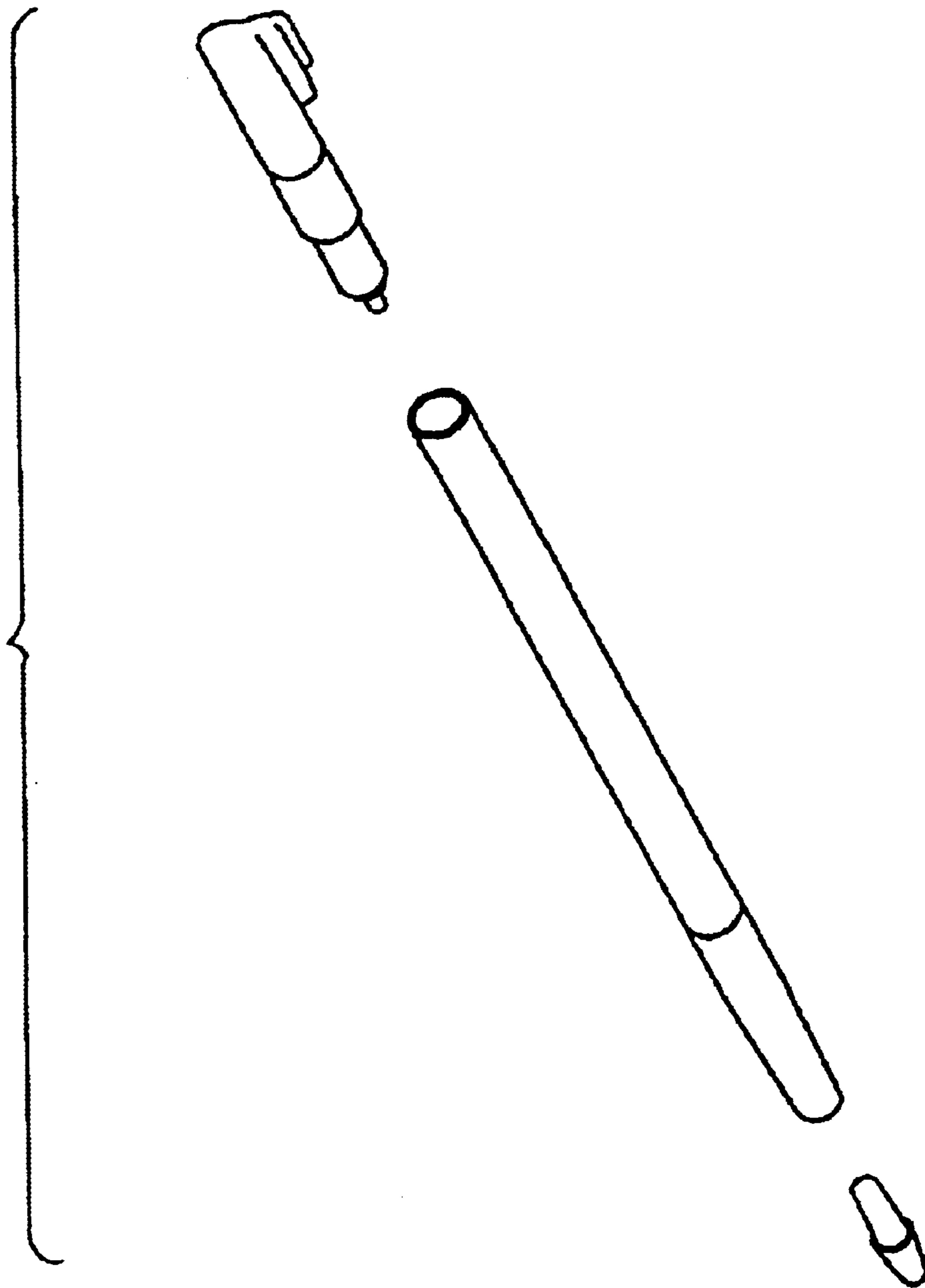


FIG. 1



FIG. 2



FIG. 3



FIG. 4



FIG. 5

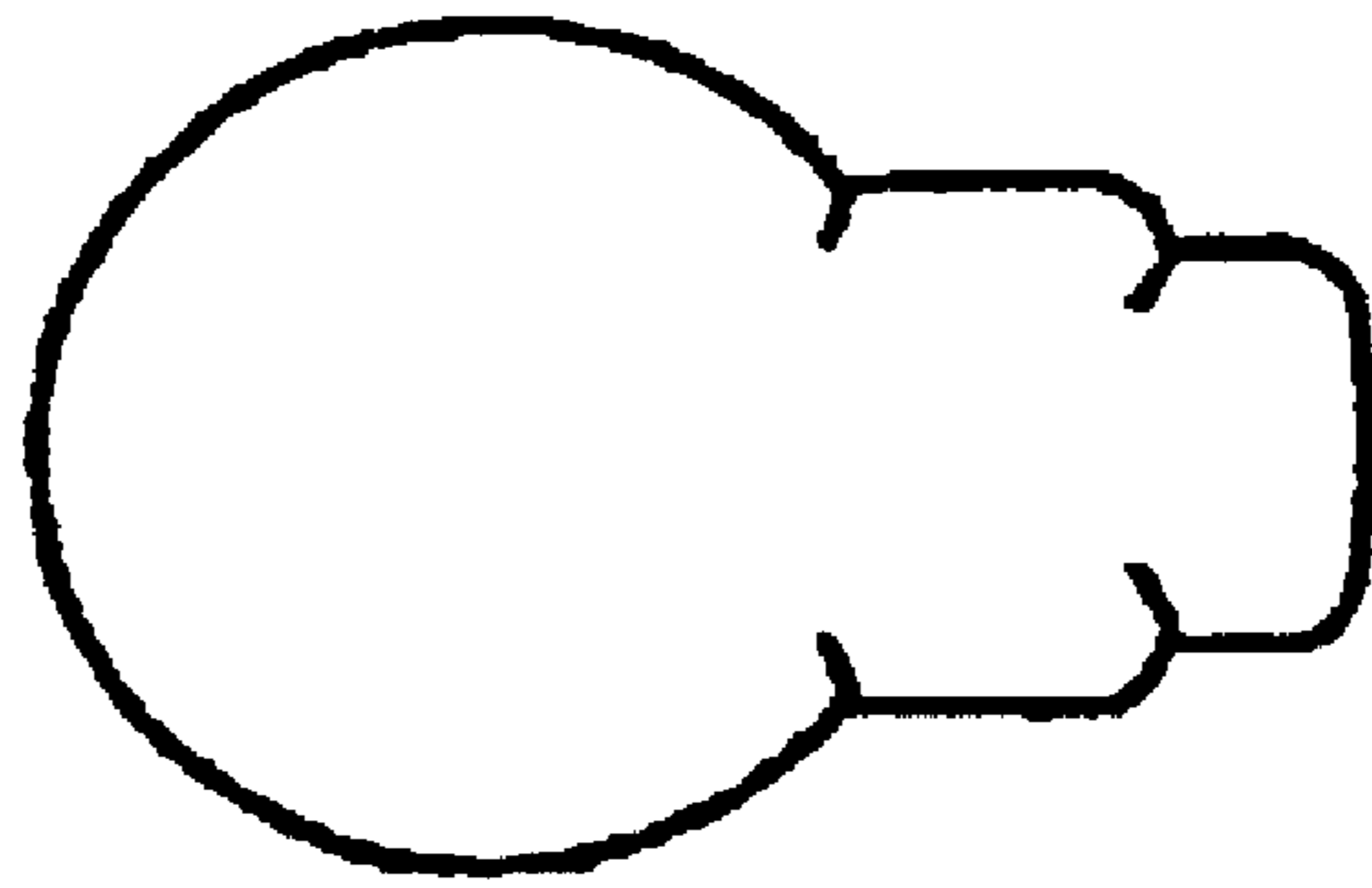


FIG. 6

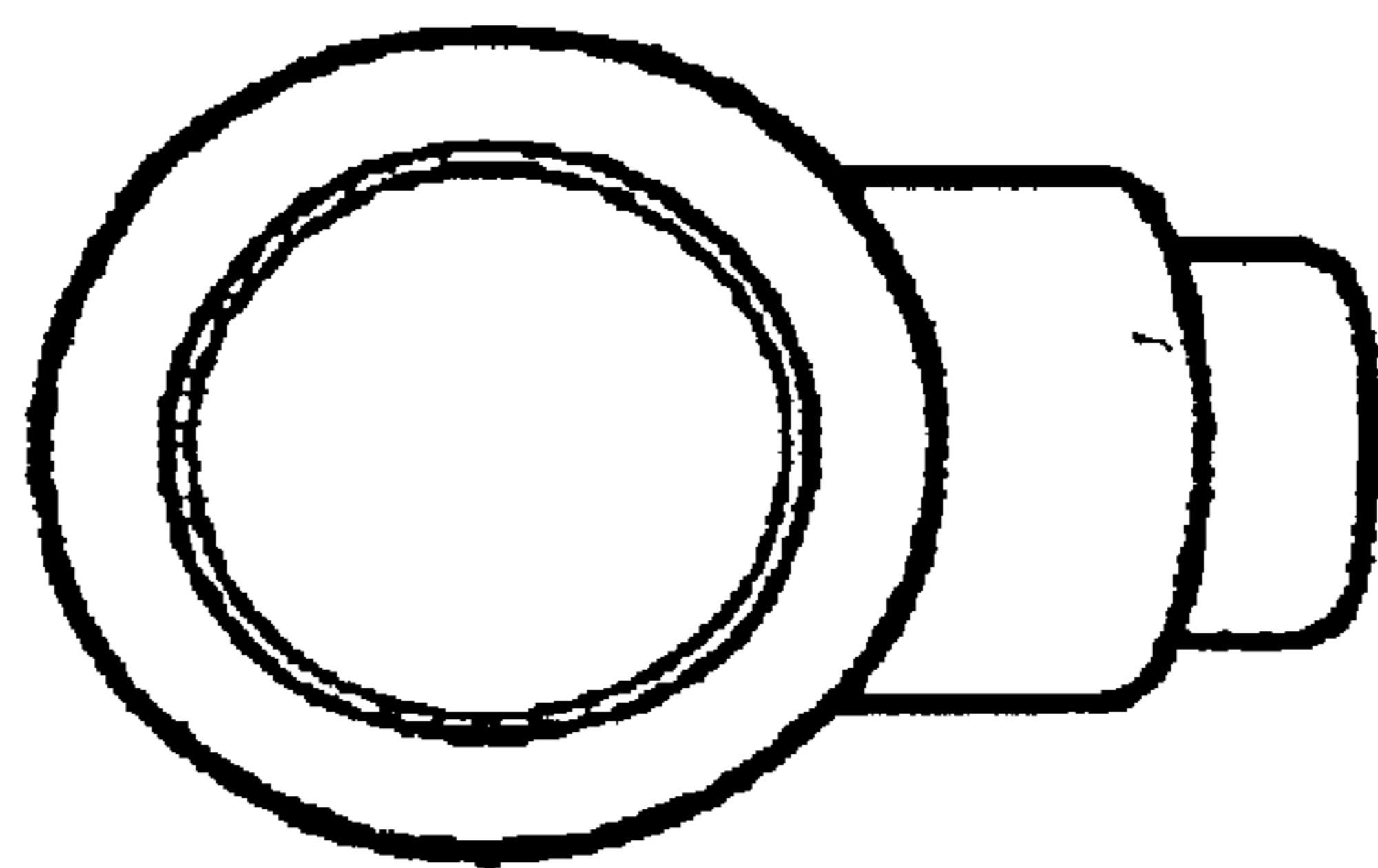


FIG. 7