



US00D501501S

(12) **United States Design Patent**
Schultz et al.

(10) **Patent No.: US D501,501 S**

(45) **Date of Patent: ** Feb. 1, 2005**

(54) **PAPER TRIMMER**

D477,017 S * 7/2003 Vossler et al. D18/34

(75) Inventors: **Richard J. Schultz**, Barrington, IL
(US); **Hideki Koto**, Yotsukaido (JP)

* cited by examiner

Primary Examiner—Charles A. Rademaker

(73) Assignee: **Carl Mfg. USA, Inc.**, Mount Prospect,
IL (US)

(74) *Attorney, Agent, or Firm*—Wood, Phillips, Katz, Clark
& Mortimer

(**) Term: **14 Years**

(57) **CLAIM**

The ornamental design of a paper trimmer, as shown and
described.

(21) Appl. No.: **29/180,986**

(22) Filed: **May 2, 2003**

DESCRIPTION

(51) **LOC (7) Cl.** **18-04**

FIG. 1 is a rear, top, and right side perspective view of our
paper trimmer Design;

(52) **U.S. Cl.** **D18/34**

FIG. 2 is a top plan view thereof;

(58) **Field of Search** D18/34, 99; D19/72,

FIG. 3 is a bottom view thereof;

D19/65, 100; D8/98; D15/139, 138; 412/16;

FIG. 4 is a front elevation view thereof;

281/51; 83/72, 109, 136, 140, 607, 167,

FIG. 5 is a rear elevation view thereof;

284, 485, 471.2, 651, 633, 455, 34

FIG. 6 is left side elevation view thereof;

FIG. 7 is a right side elevation view thereof;

(56) **References Cited**

FIG. 8 is a top plan view of thereof with an extension ruler
repositioned to an operative state;

U.S. PATENT DOCUMENTS

3,996,827 A * 12/1976 Logan 83/455

FIG. 9 is a front elevation view thereof with the extension
ruler in the operative state; and,

4,941,380 A * 7/1990 Lockwood 83/455

FIG. 10 is a left side elevation view thereof with the
extension ruler in the operative state.

4,987,812 A * 1/1991 Benavidez 83/455

The structure shown in dotted lines in the Figures does not
form part of the claimed design.

5,537,904 A * 7/1996 Albin 83/455

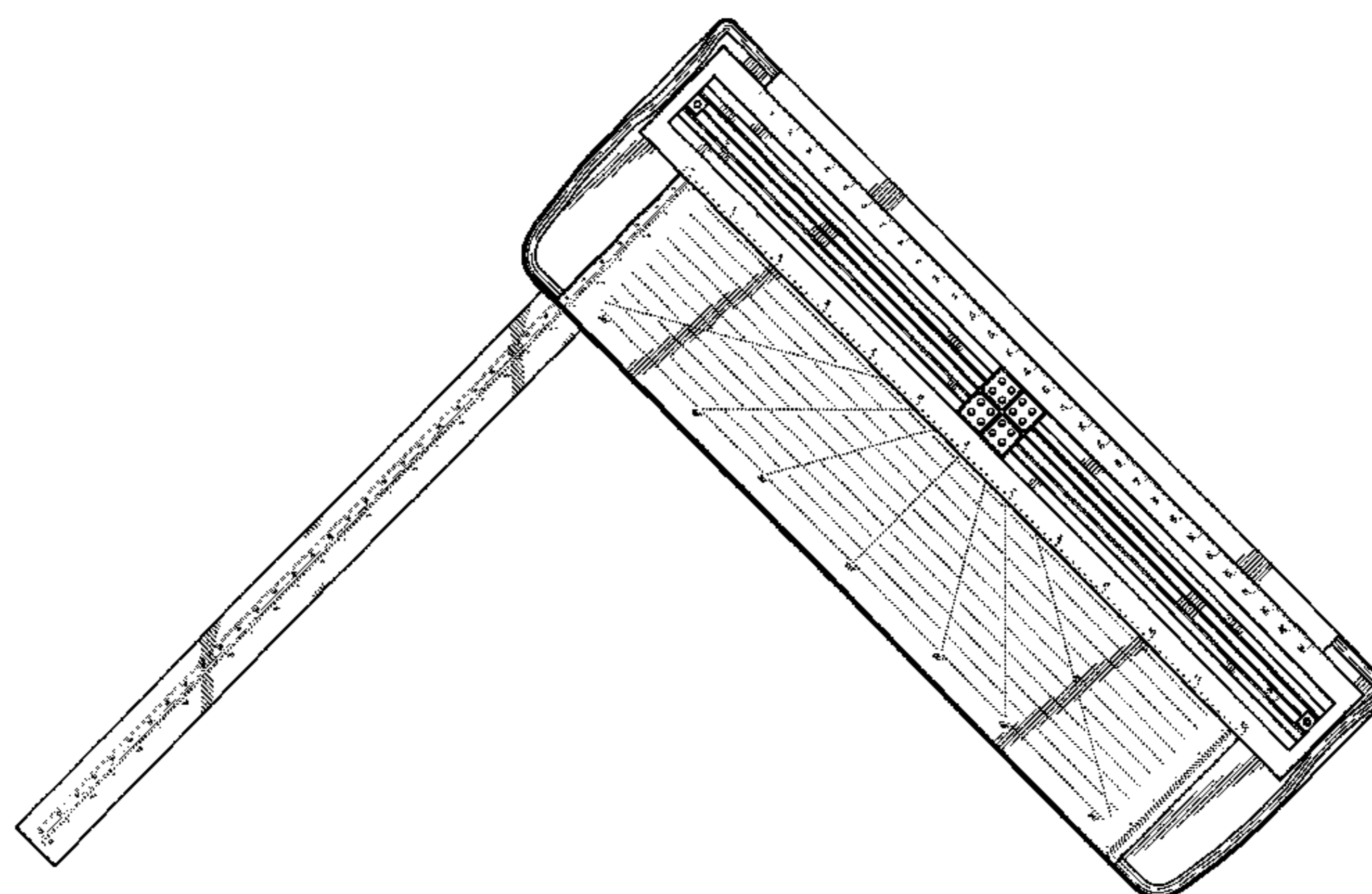
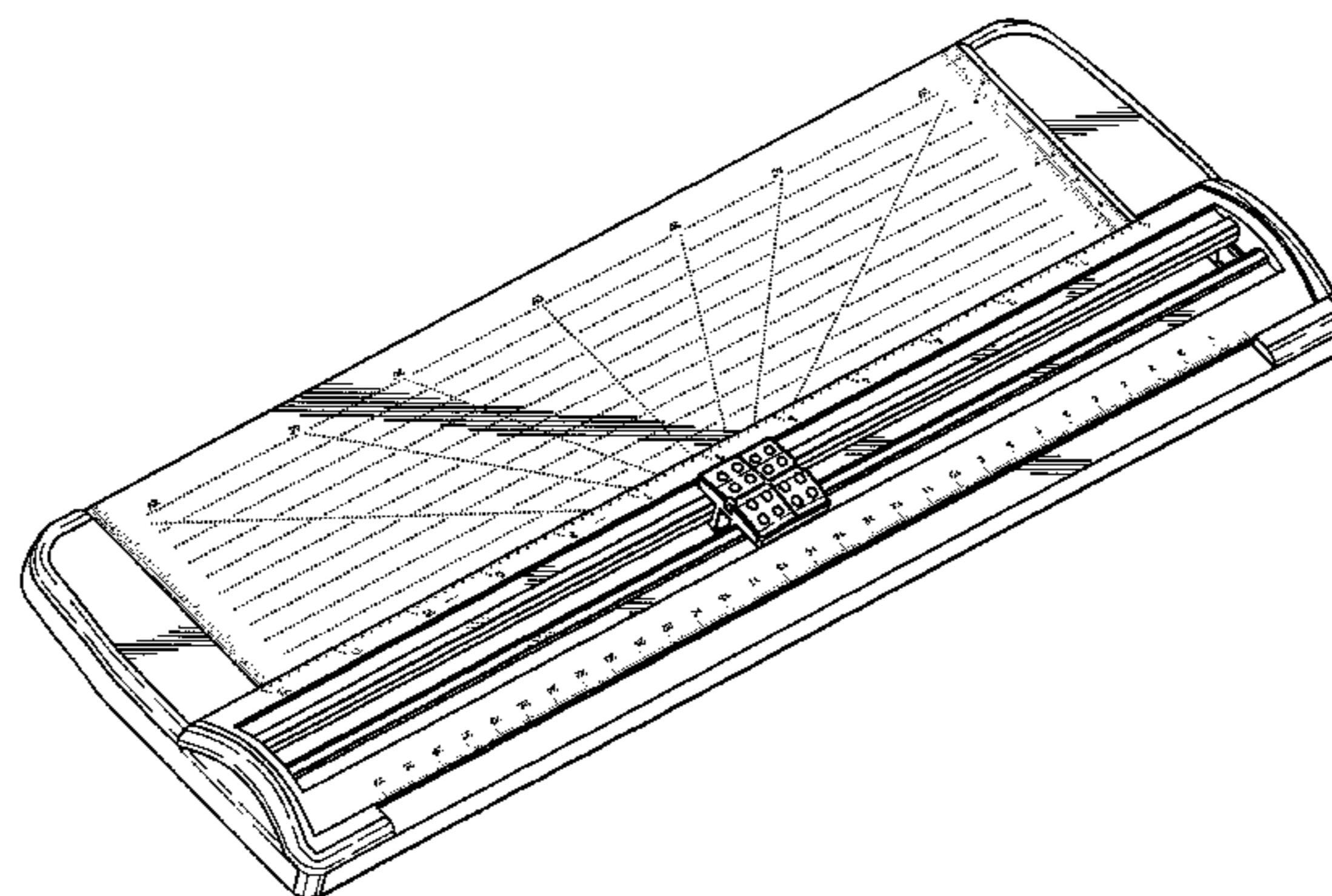
D379,193 S * 5/1997 Cornell D18/34

D387,377 S * 12/1997 Daley, Jr. D18/34

5,802,942 A * 9/1998 Cornell et al. 83/455

D417,693 S * 12/1999 Daley, Jr. D18/34

1 Claim, 6 Drawing Sheets



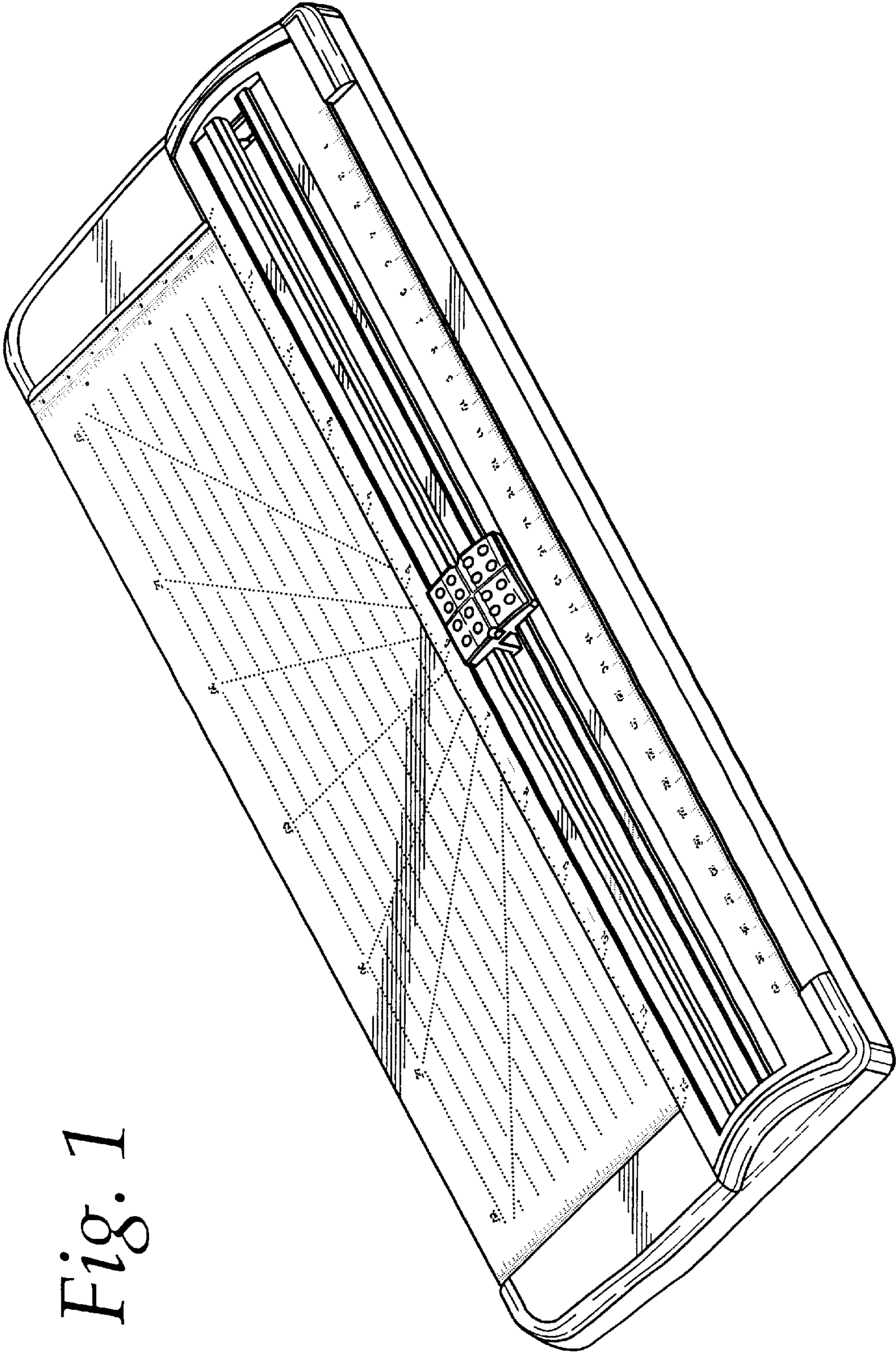


Fig. 1

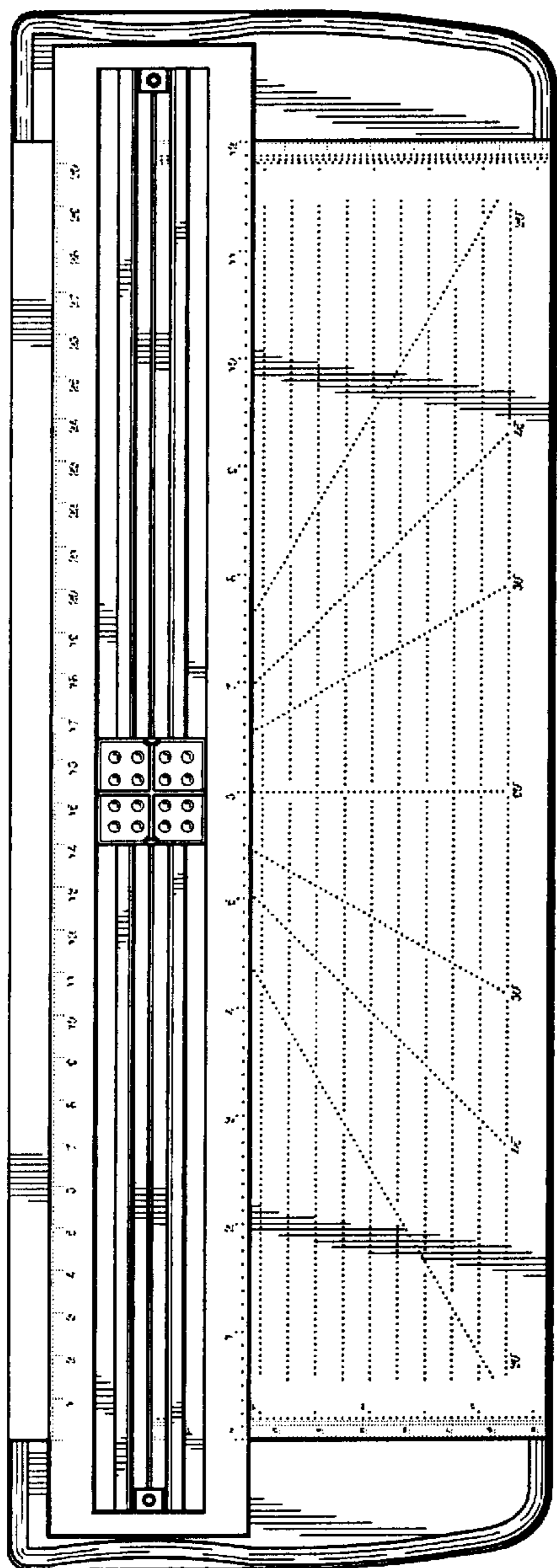


Fig. 2

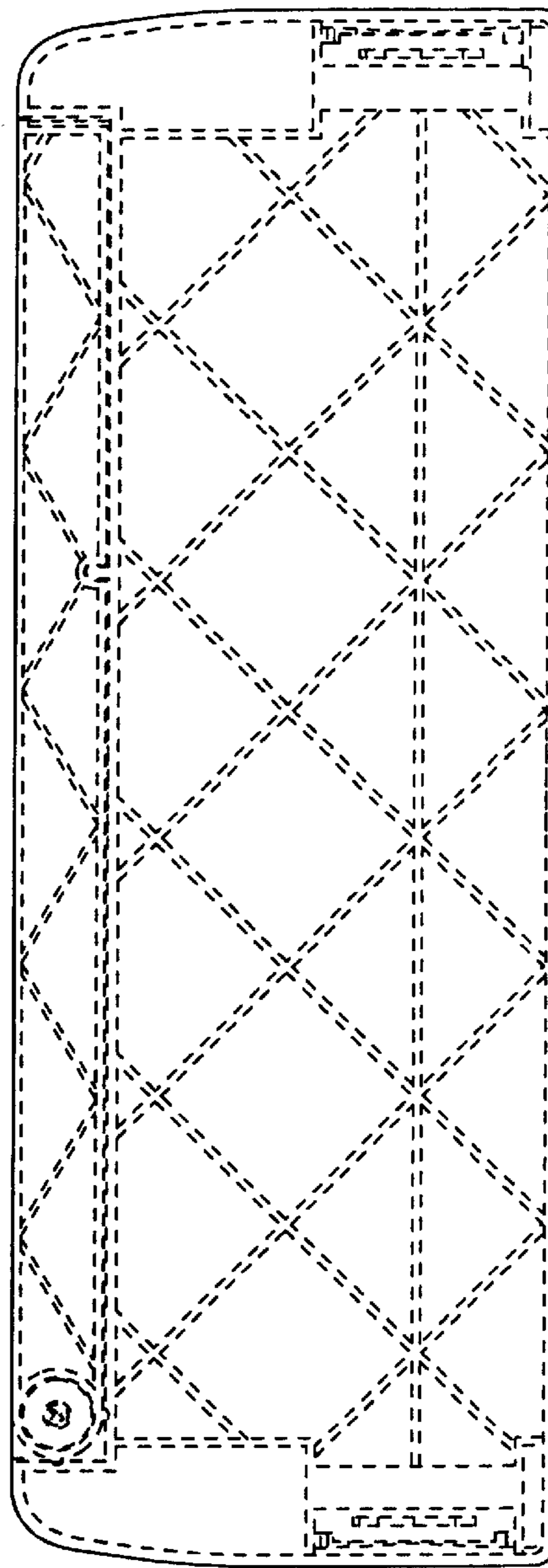


Fig. 3

Fig. 4

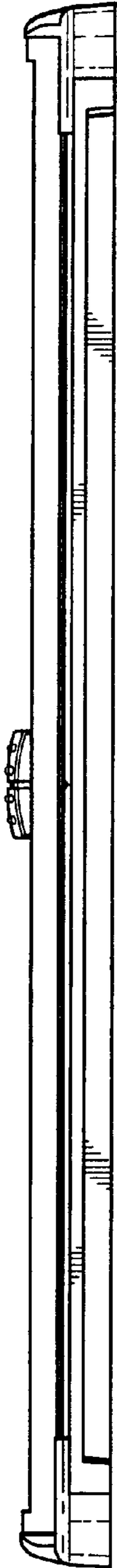


Fig. 5



Fig. 6



Fig. 7



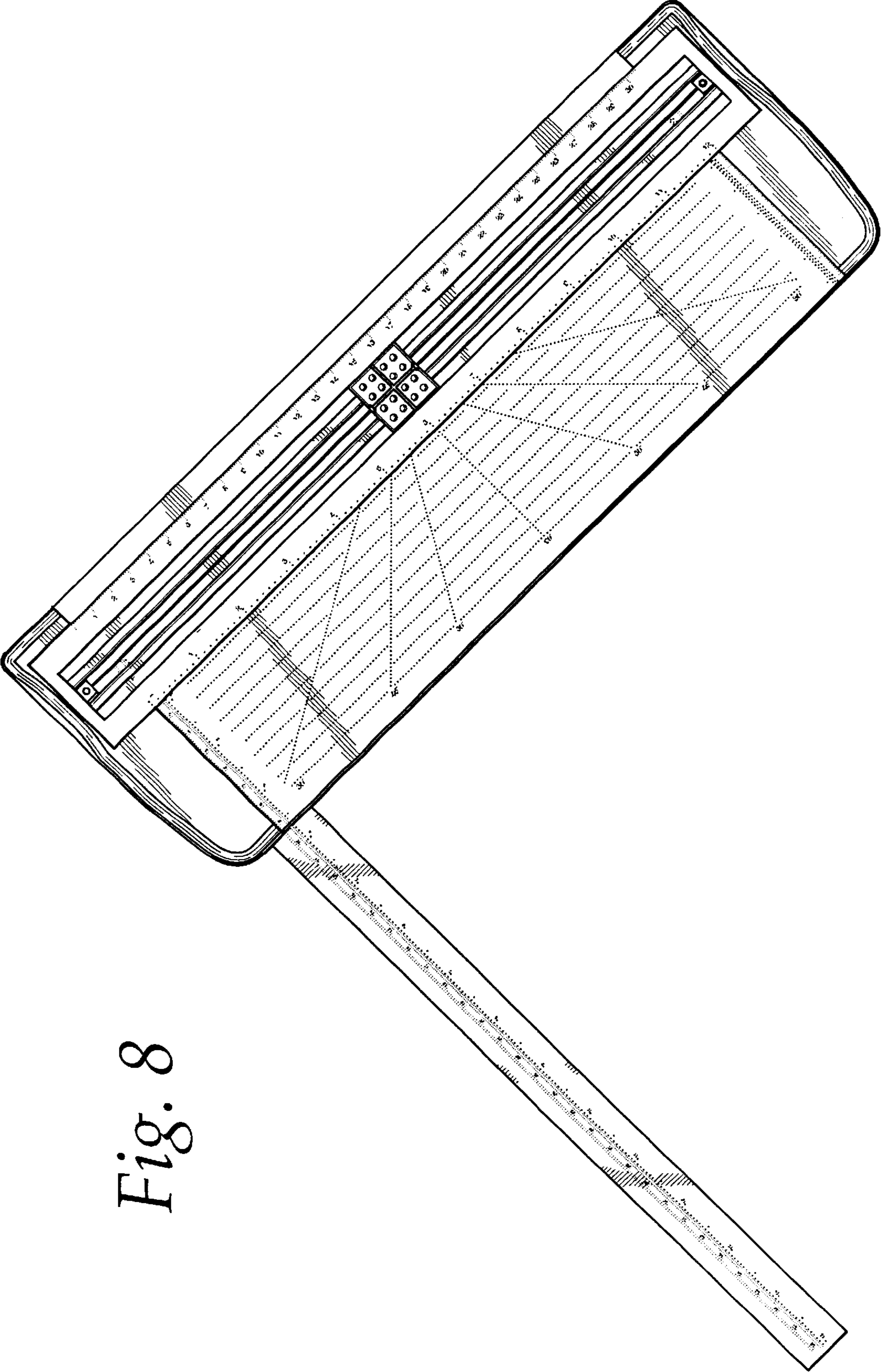


Fig. 8

Fig. 9

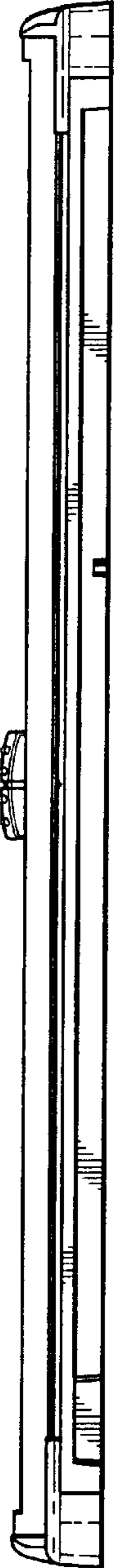


Fig. 10

