



US00D501494S

(12) **United States Design Patent**  
**Ogura**

(10) **Patent No.:** **US D501,494 S**  
(45) **Date of Patent:** **\*\* Feb. 1, 2005**

(54) **ELECTRONIC CAMERA**

(75) **Inventor:** **Ryosuke Ogura**, Tokyo (JP)

(73) **Assignee:** **Fuji Photo Film Co., Ltd.**, Kanagawa (JP)

(\*\*) **Term:** **14 Years**

(21) **Appl. No.:** **29/201,350**

(22) **Filed:** **Mar. 15, 2004**

(30) **Foreign Application Priority Data**

Oct. 20, 2003 (JP) ..... 2003-030906

(51) **LOC (7) Cl.** ..... **16-01**

(52) **U.S. Cl.** ..... **D16/202**

(58) **Field of Search** ..... D16/200–206,  
D16/208, 218; 348/373–376; 358/906, 909.1;  
396/535–541

(56) **References Cited**

**U.S. PATENT DOCUMENTS**

D160,300 S	*	10/1950	Chapman	.....	D16/200
5,610,678 A	*	3/1997	Tsuboi et al.	.....	396/373
D410,664 S	*	6/1999	Hibino	.....	D16/202
D425,534 S	*	5/2000	Mutoh et al.	.....	D16/203
D472,258 S	*	3/2003	Yin et al.	.....	D16/202

\* cited by examiner

*Primary Examiner*—Adir Aronovich  
(74) *Attorney, Agent, or Firm*—Young & Thompson

(57) **CLAIM**

The ornamental design for an electronic camera, as shown and described.

**DESCRIPTION**

FIG. 1 is a top, front and side perspective view of an electronic camera showing my new design;  
 FIG. 2 is a front elevational view thereof;  
 FIG. 3 is a rear elevational view thereof;  
 FIG. 4 is a top plan view thereof;  
 FIG. 5 is a bottom plan view thereof;  
 FIG. 6 is a side elevational view thereof from the left of FIG. 2, the side opposite that shown in FIG. 6 being the mirror image thereof;  
 FIG. 7 is a top, side and rear perspective view thereof;  
 FIG. 8 is a view similar to FIG. 7 but with the parts in a different position;  
 FIG. 9 is a view similar to FIG. 1 but with the parts in a different position; and,  
 FIG. 10 is a view similar to FIGS. 1 and 9 but with the parts in still another position.

**1 Claim, 5 Drawing Sheets**

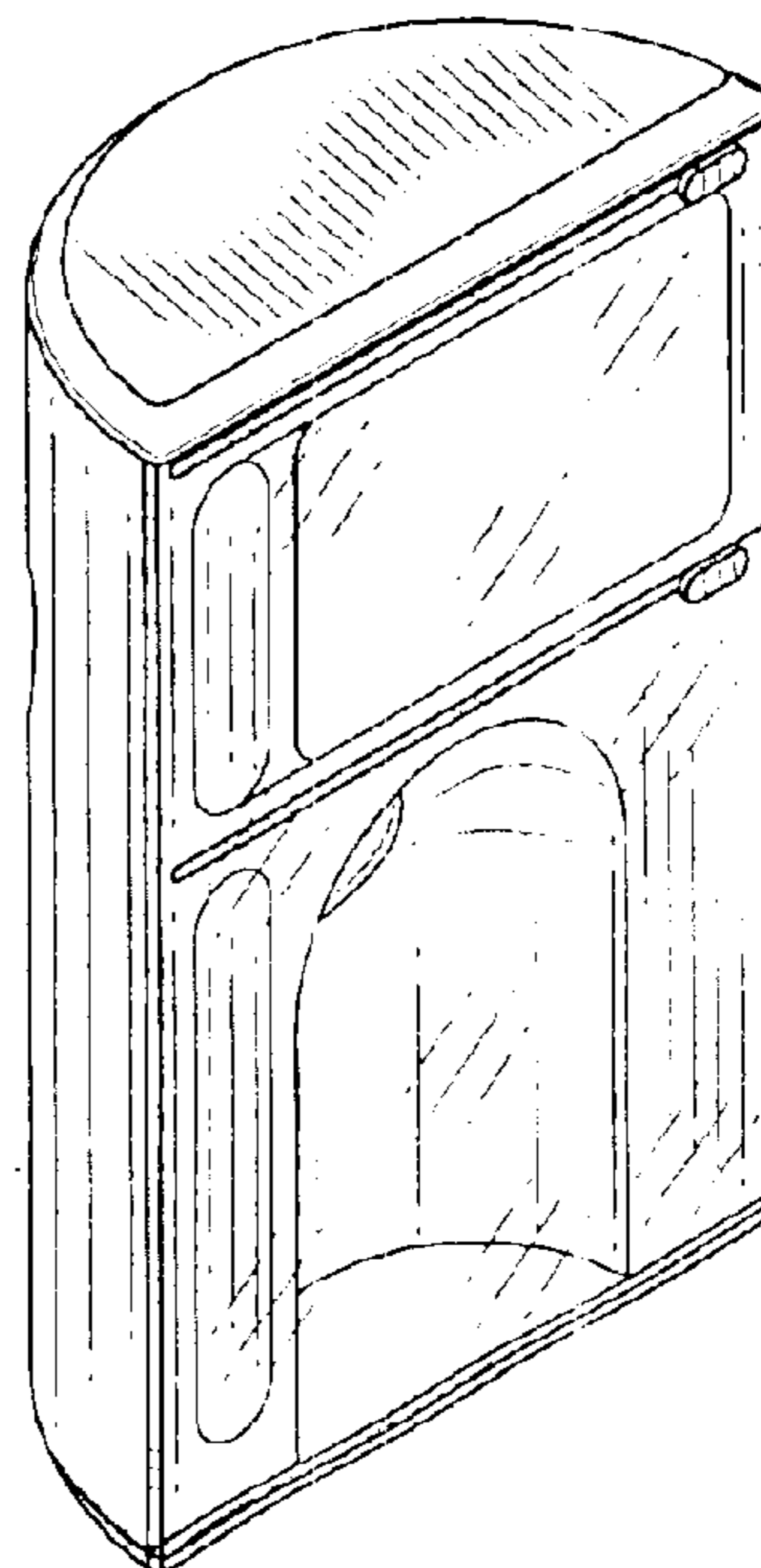
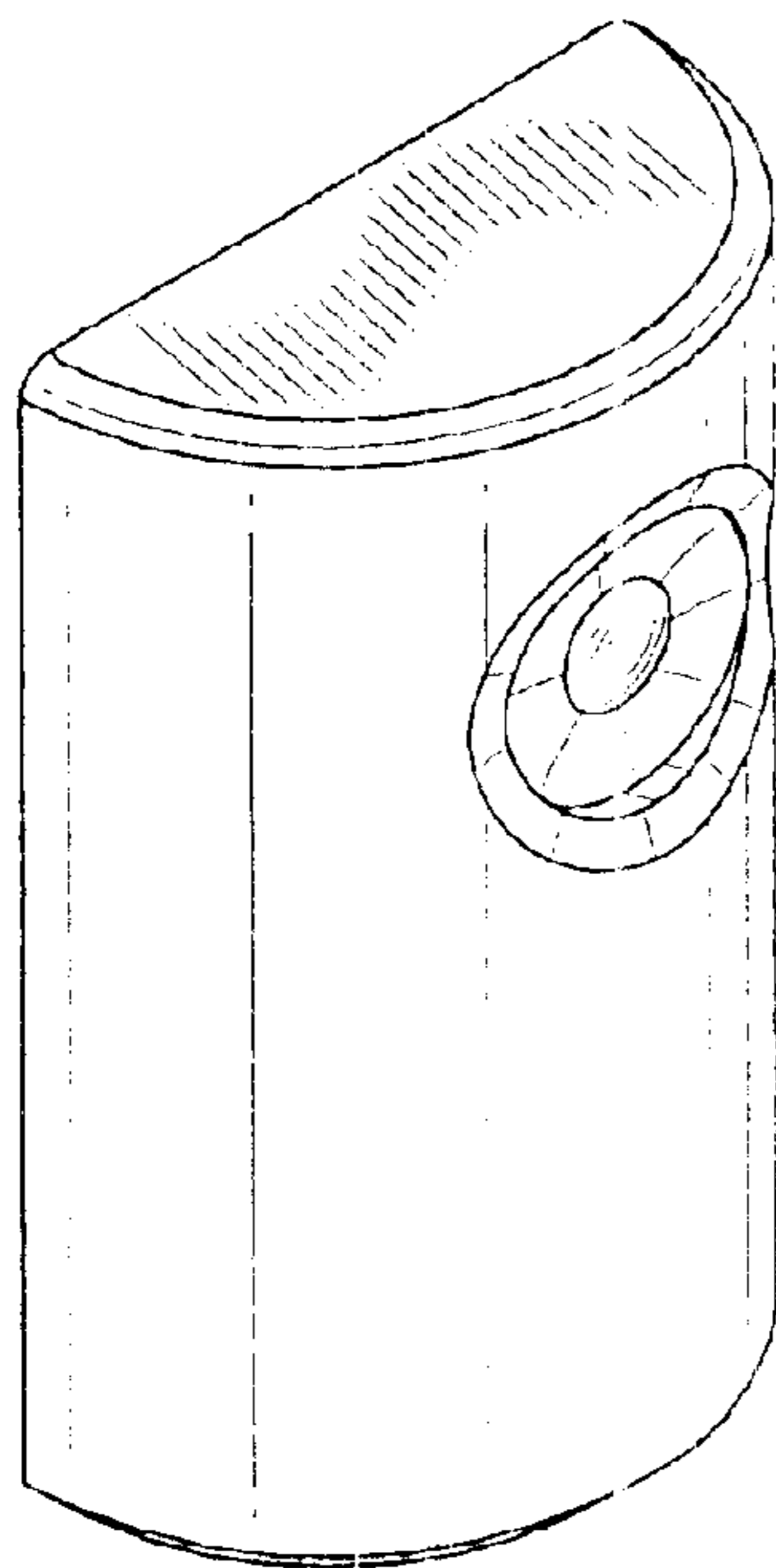


FIG. 1

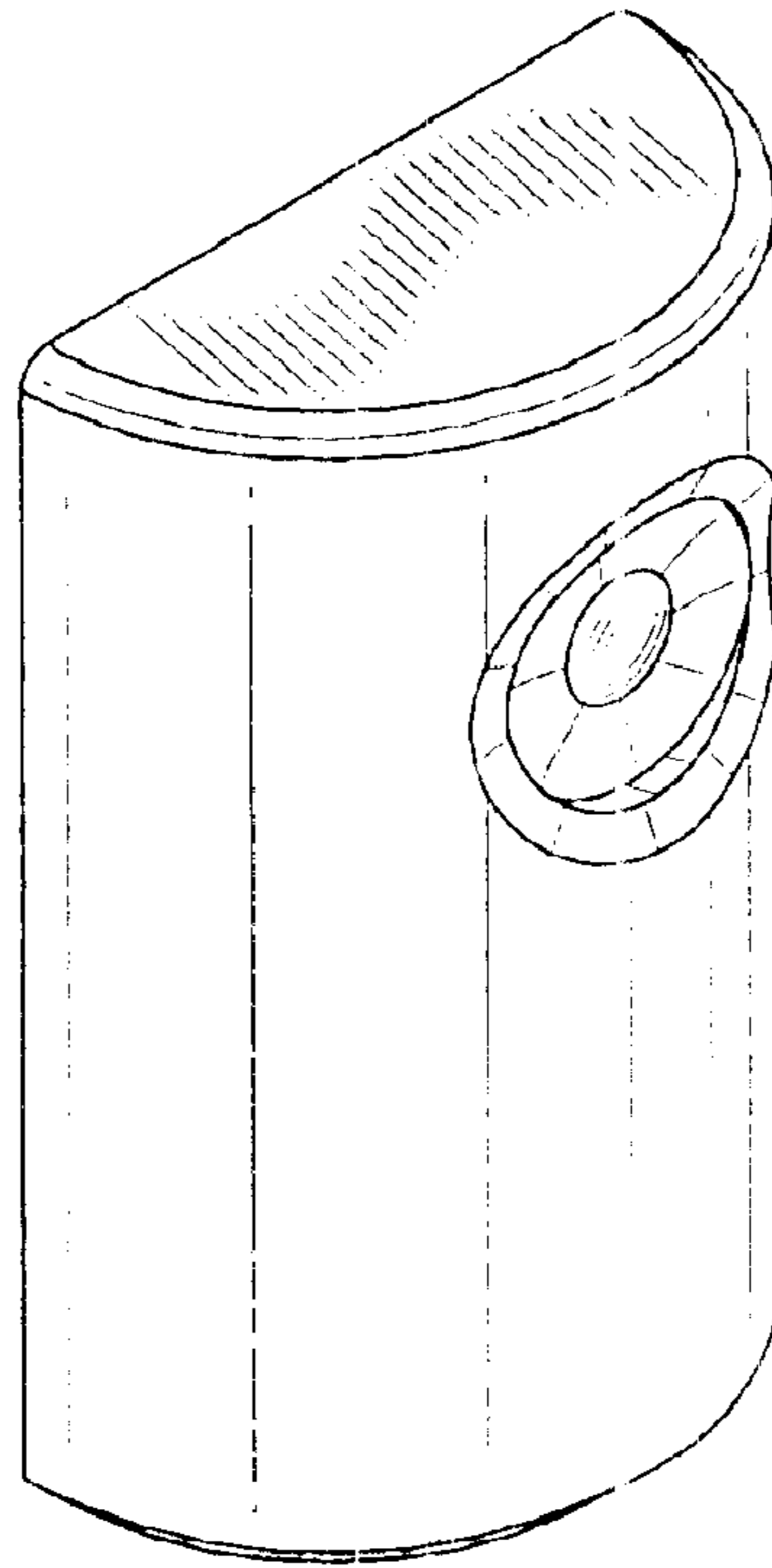


FIG. 2

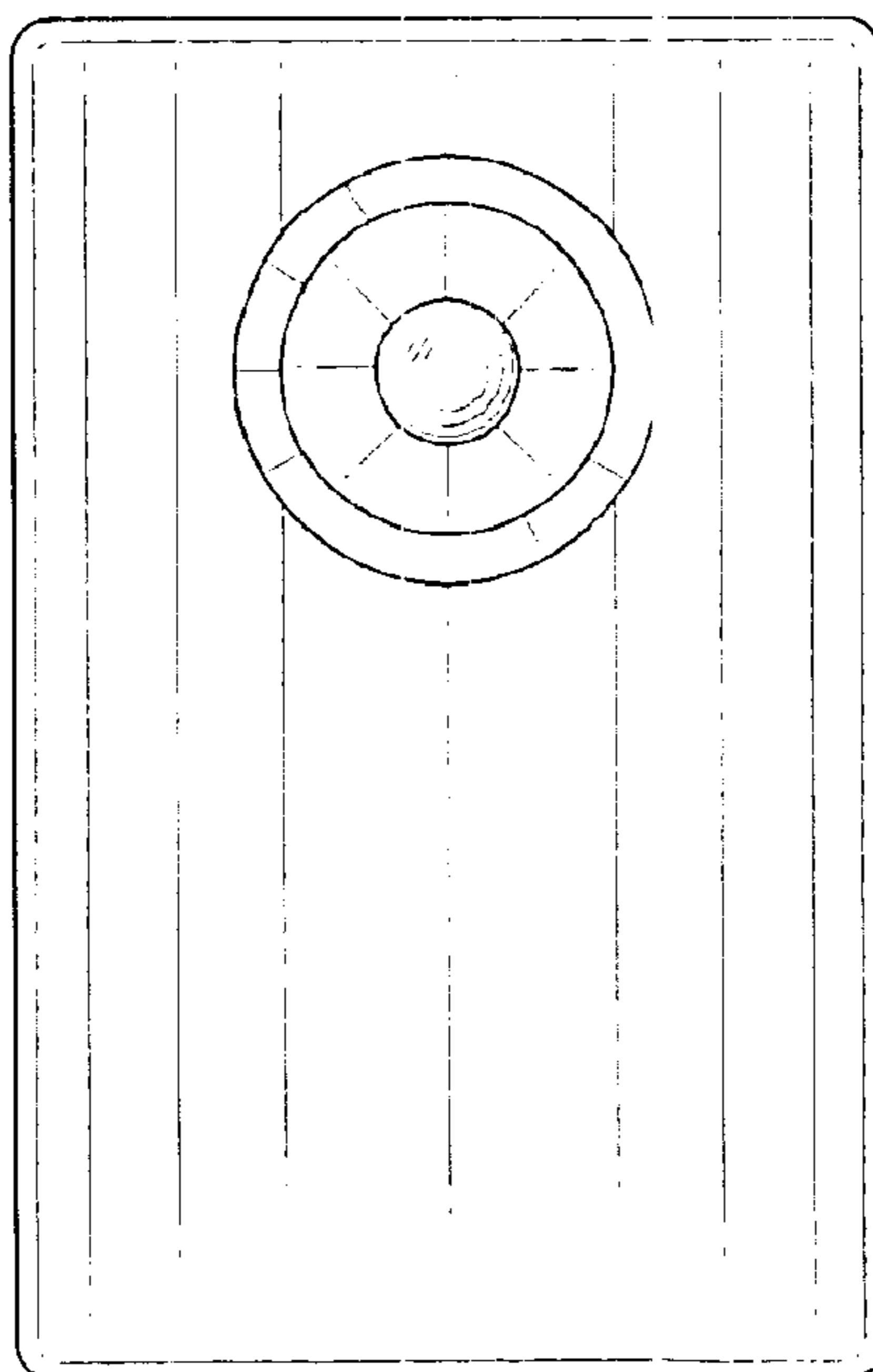


FIG.3

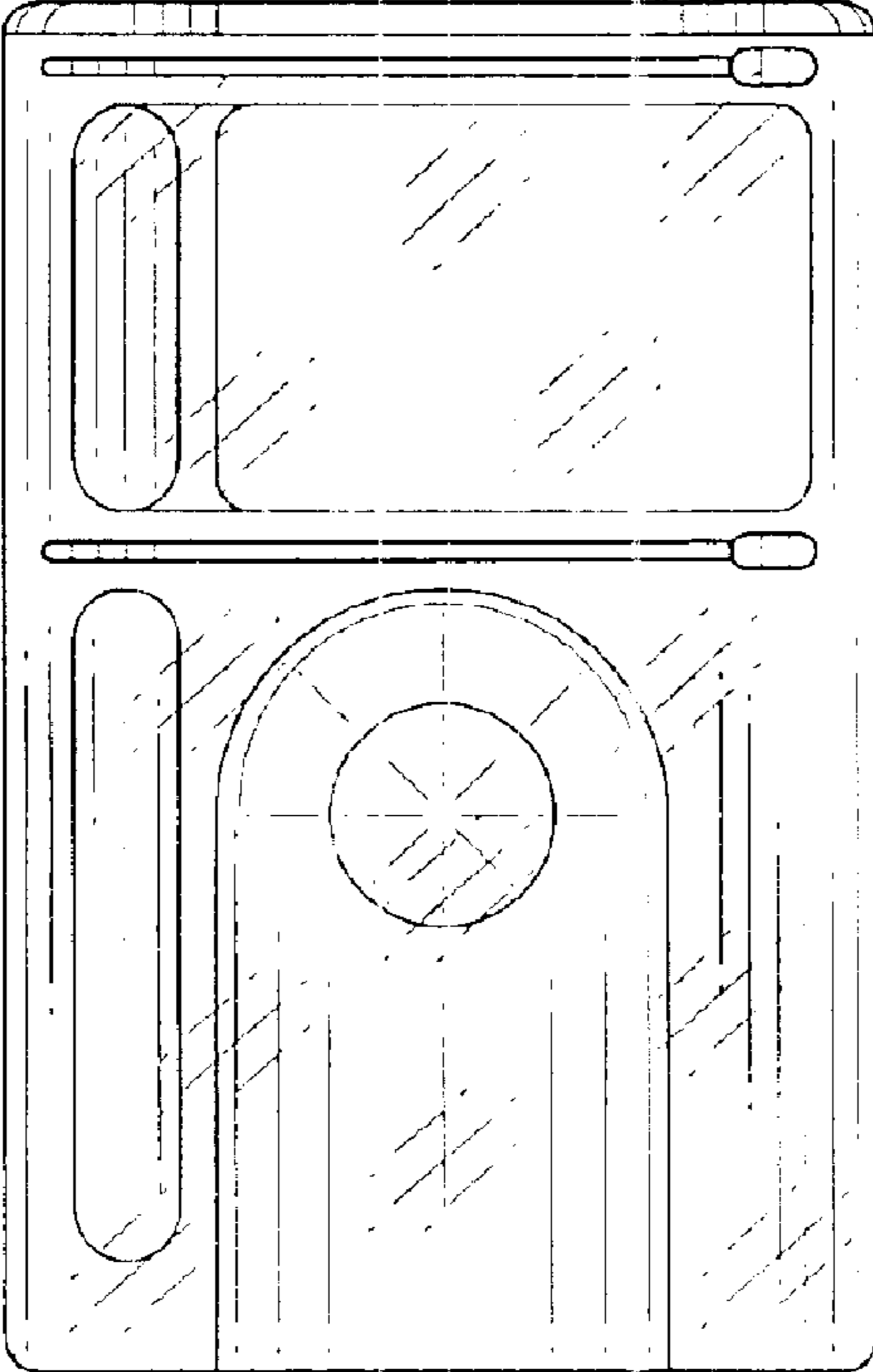


FIG.4

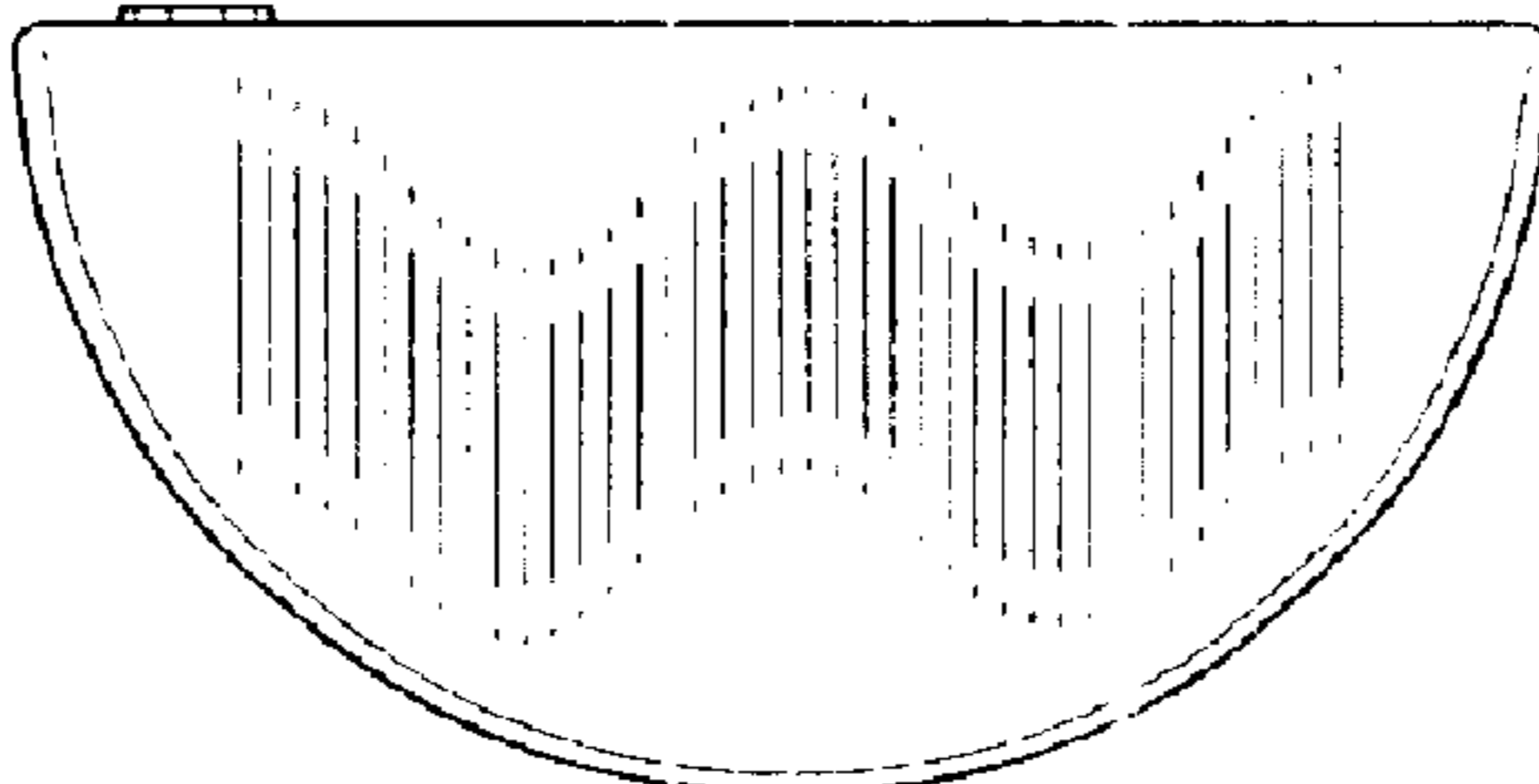


FIG. 5

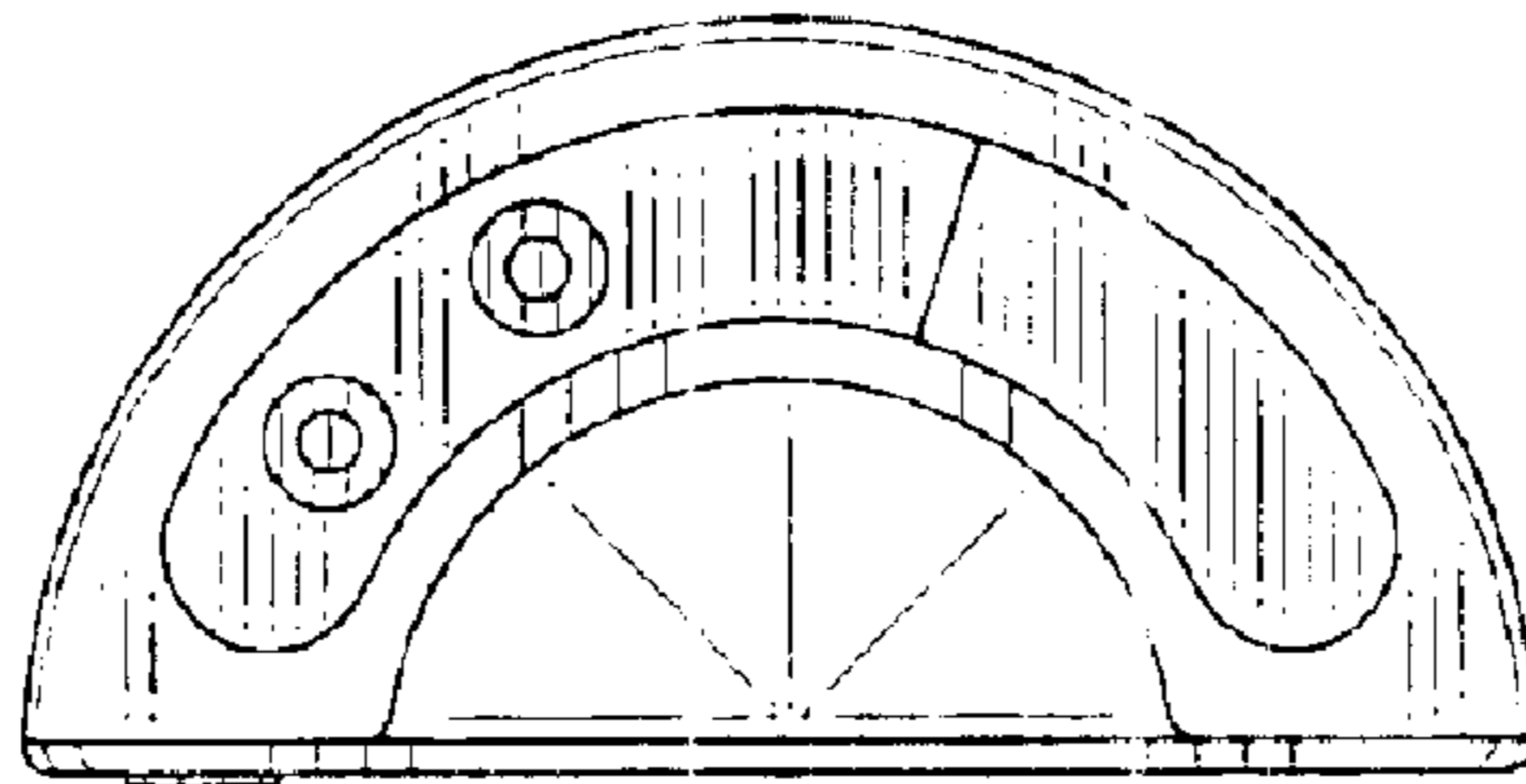


FIG. 6

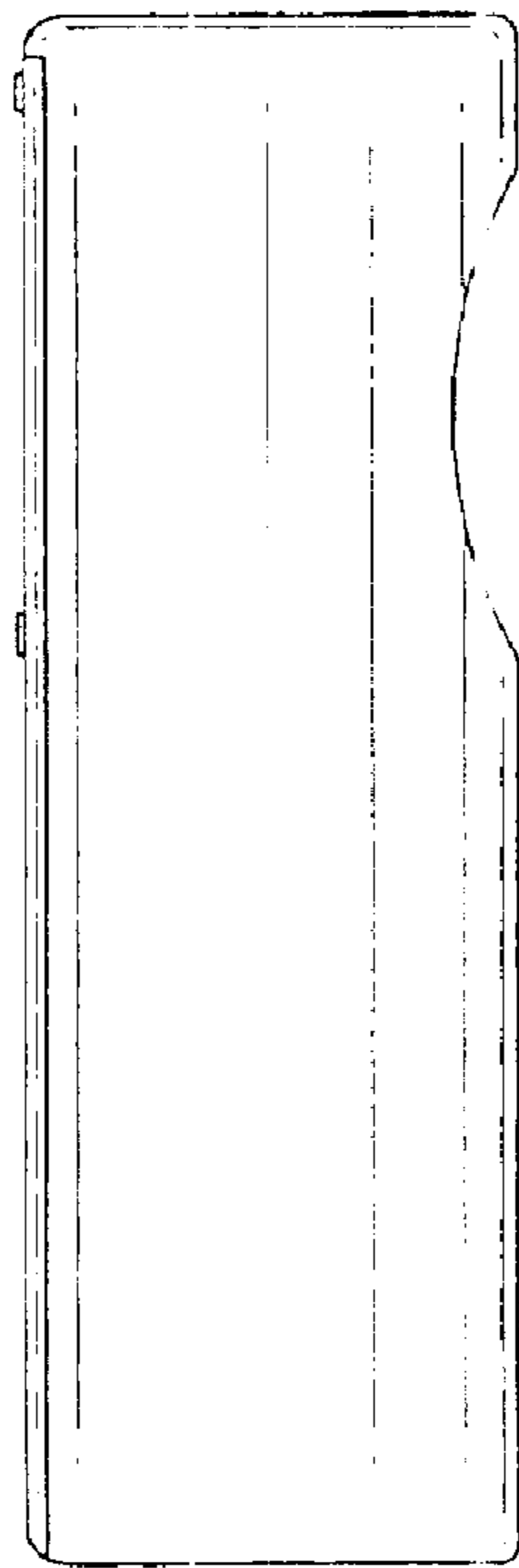


FIG. 7

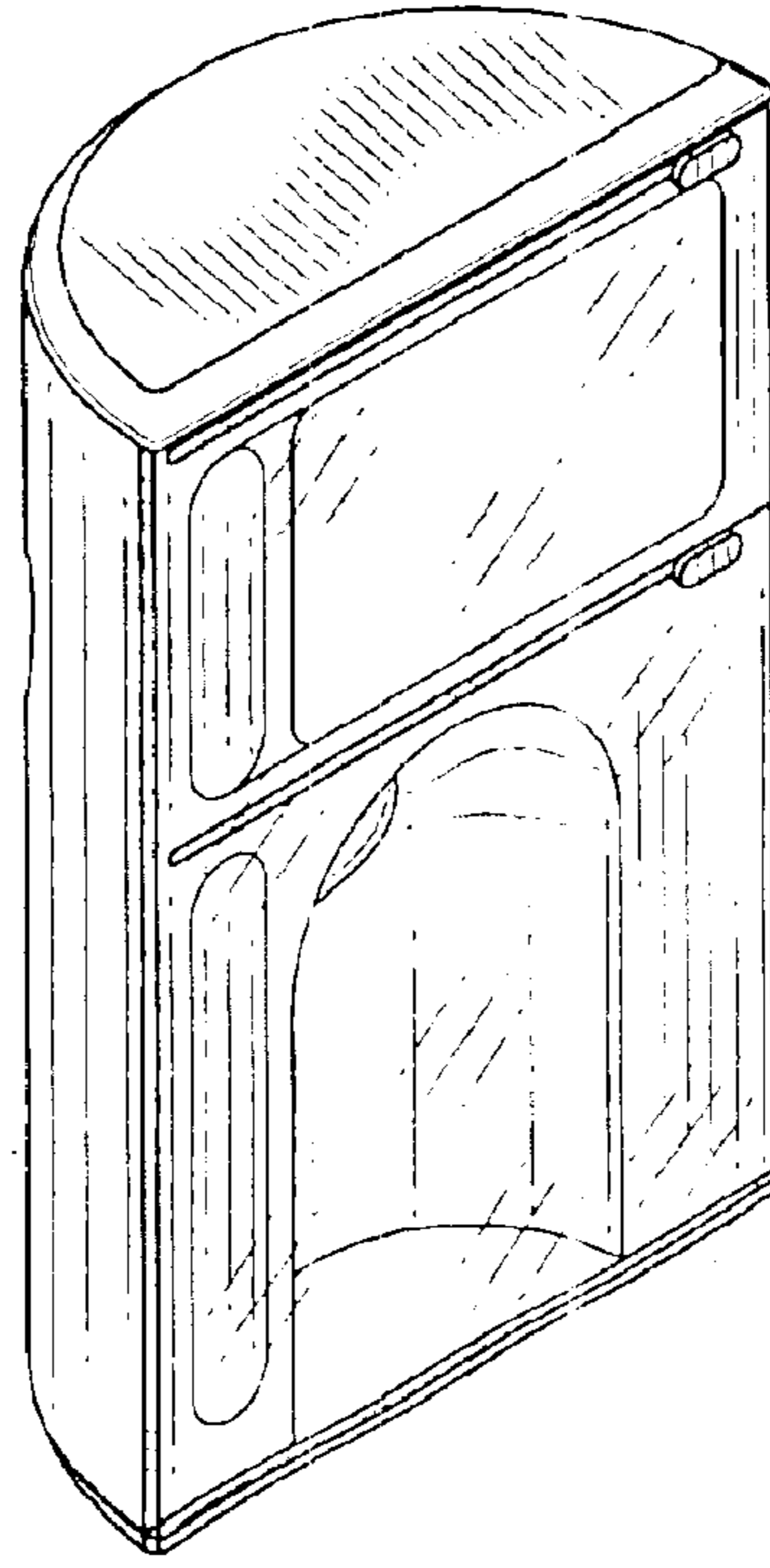


FIG. 8

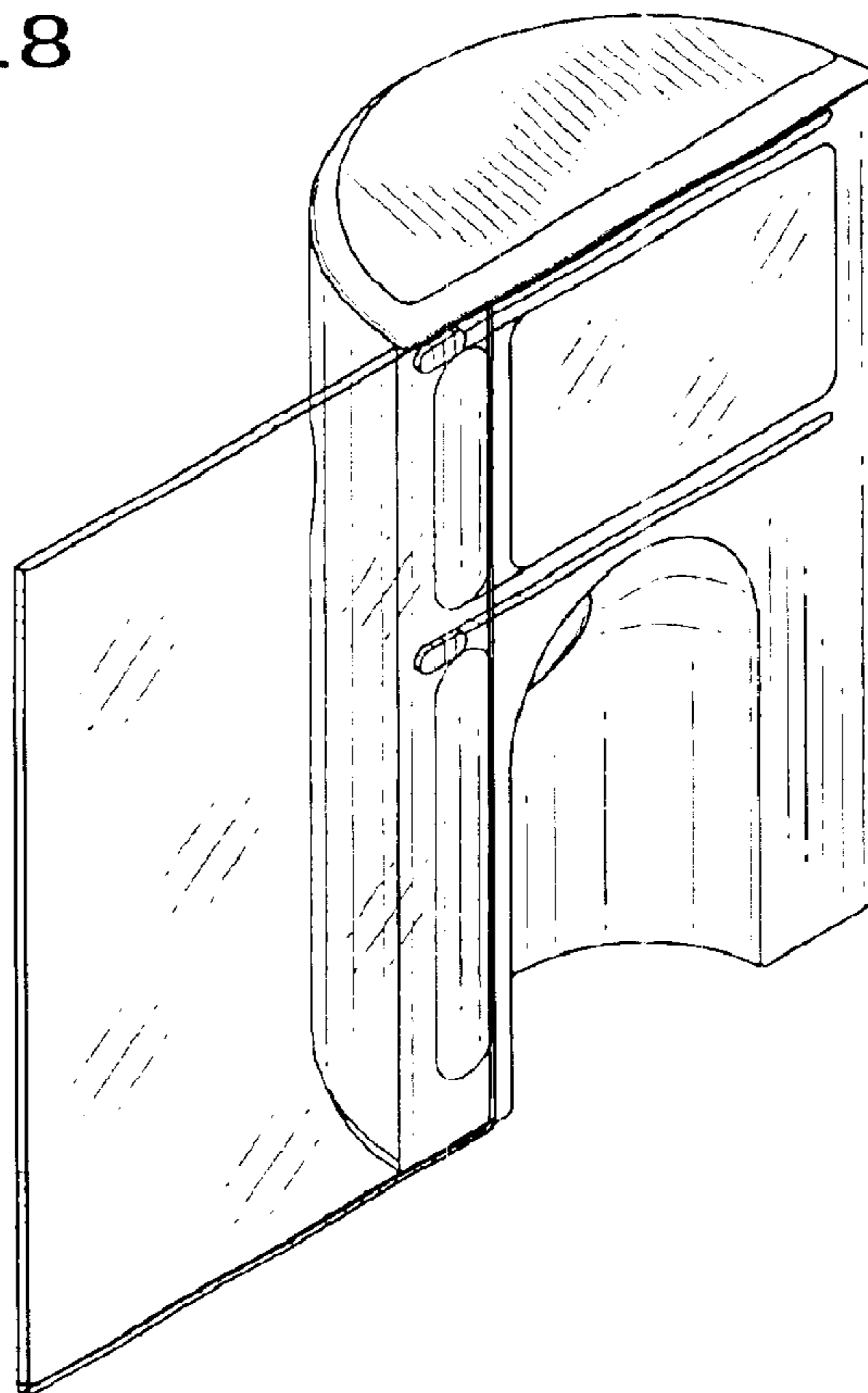


FIG. 9

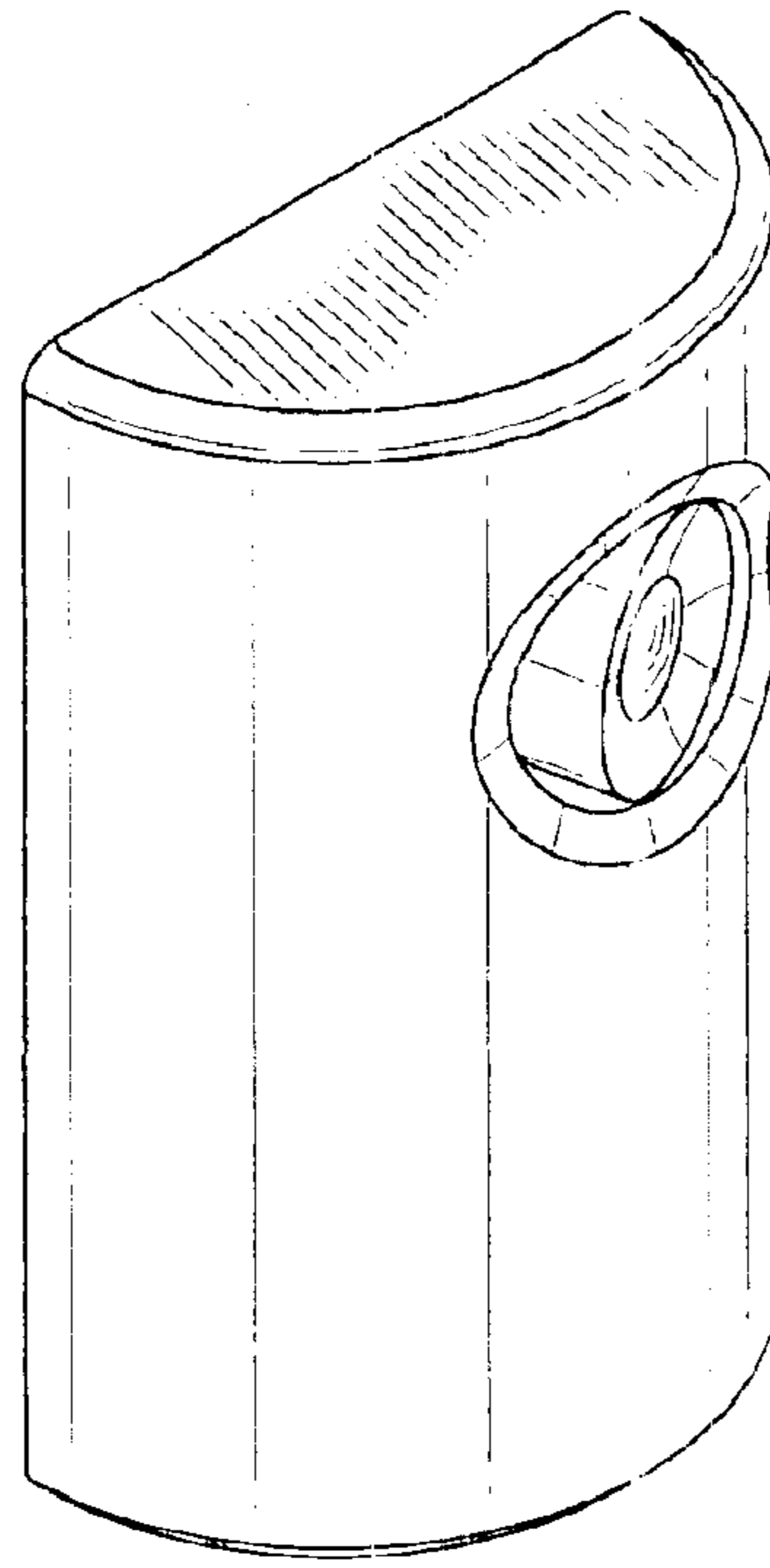


FIG. 10

