



US00D501493S

(12) **United States Design Patent**
Singer et al.

(10) **Patent No.:** **US D501,493 S**
(45) **Date of Patent:** **** Feb. 1, 2005**

(54) **SURFACE READER**

(74) *Attorney, Agent, or Firm*—Schultz & Associates, P.C.

(76) Inventors: **Dave Singer**, 4105 Oxlea Dr., Plano, TX (US) 75024; **Jomichael Porter**, 4130 Proton Dr. #13C, Addison, TX (US) 75001; **Kevin Hodge**, 1845 Lynn La., Lucas, TX (US) 75002

(57) **CLAIM**

The ornamental design for a surface reader, as shown and described.

(**) **Term:** **14 Years**

DESCRIPTION

(21) **Appl. No.:** **29/187,626**

FIG. 1 is right side perspective view of the surface reader in accordance with the present invention;
FIG. 2 is a left side perspective view of the surface reader in accordance with the present invention;
FIG. 3 is a front view of the surface reader in accordance with the present invention;
FIG. 4 is a side view of the surface reader in accordance with the present invention;
FIG. 5 is a side view of the surface reader in accordance with the present invention;
FIG. 6 is a back view of the surface reader in accordance with the present invention;
FIG. 7 is a top view of the surface reader in accordance with the present invention; and,
FIG. 8 is a bottom view of the surface reader in accordance with the present invention.

(22) **Filed:** **Aug. 4, 2003**

(51) **LOC (7) Cl.** **16-06**

(52) **U.S. Cl.** **D16/135**

(58) **Field of Search** D16/130, 135;
359/798, 802-803, 805, 808, 809, 810,
818, 827; 342/118, 357, 457, 458; D14/347;
D26/37; 362/109, 119; D10/70-72; D24/137

(56) **References Cited**

U.S. PATENT DOCUMENTS

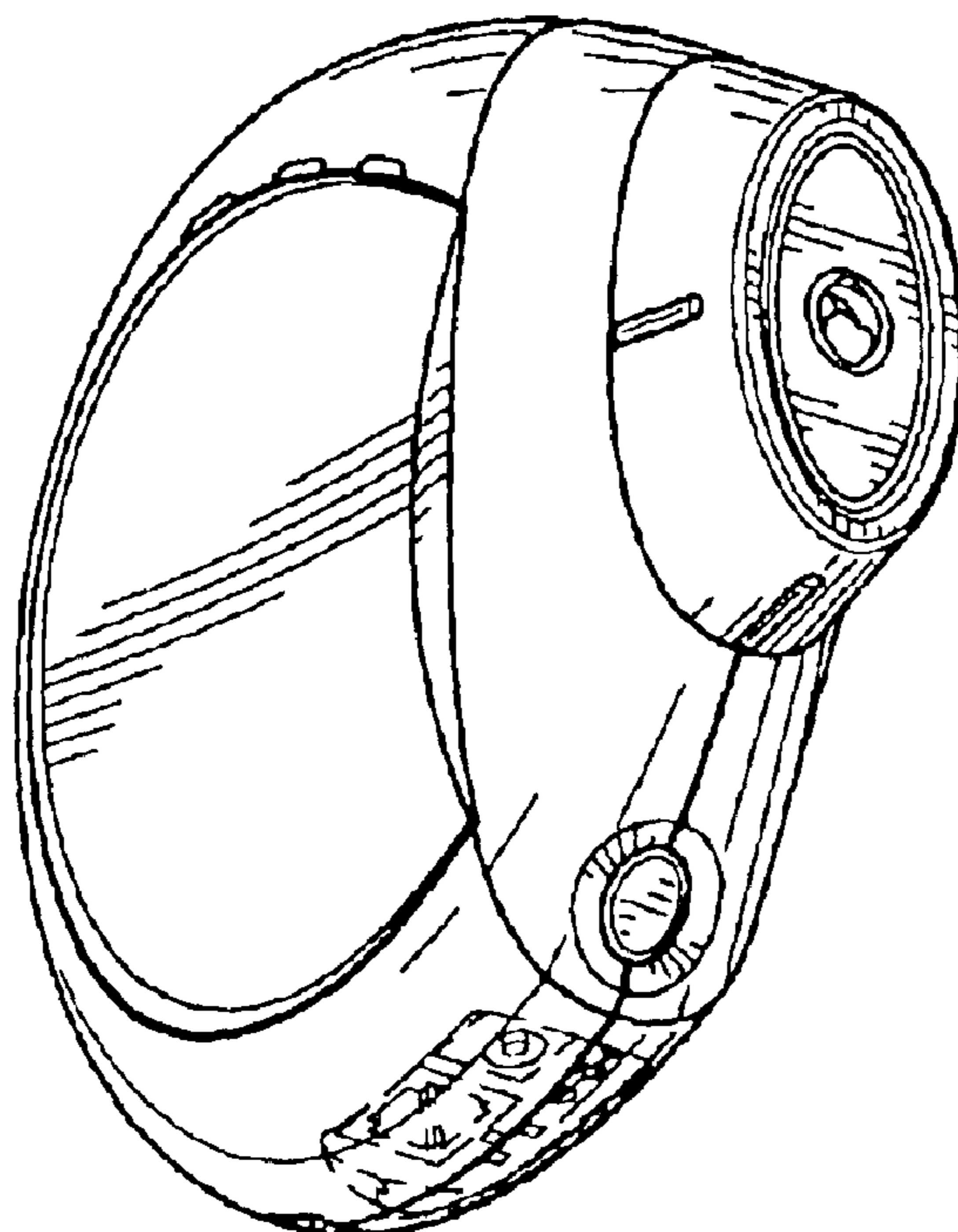
D394,667 S	*	5/1998	Romano	D16/135
D409,101 S	*	5/1999	Howard et al.	D10/70
D429,333 S	*	8/2000	Sanders et al.	D24/137
D491,590 S	*	6/2004	Singer et al.	D16/135

* cited by examiner

Any dashed lines depict environment and are not part of the claimed design. In addition, any stippling shown in the drawing is for shading purposes, and does not form a part of the claimed design.

Primary Examiner—Paula A. Greene

1 Claim, 2 Drawing Sheets



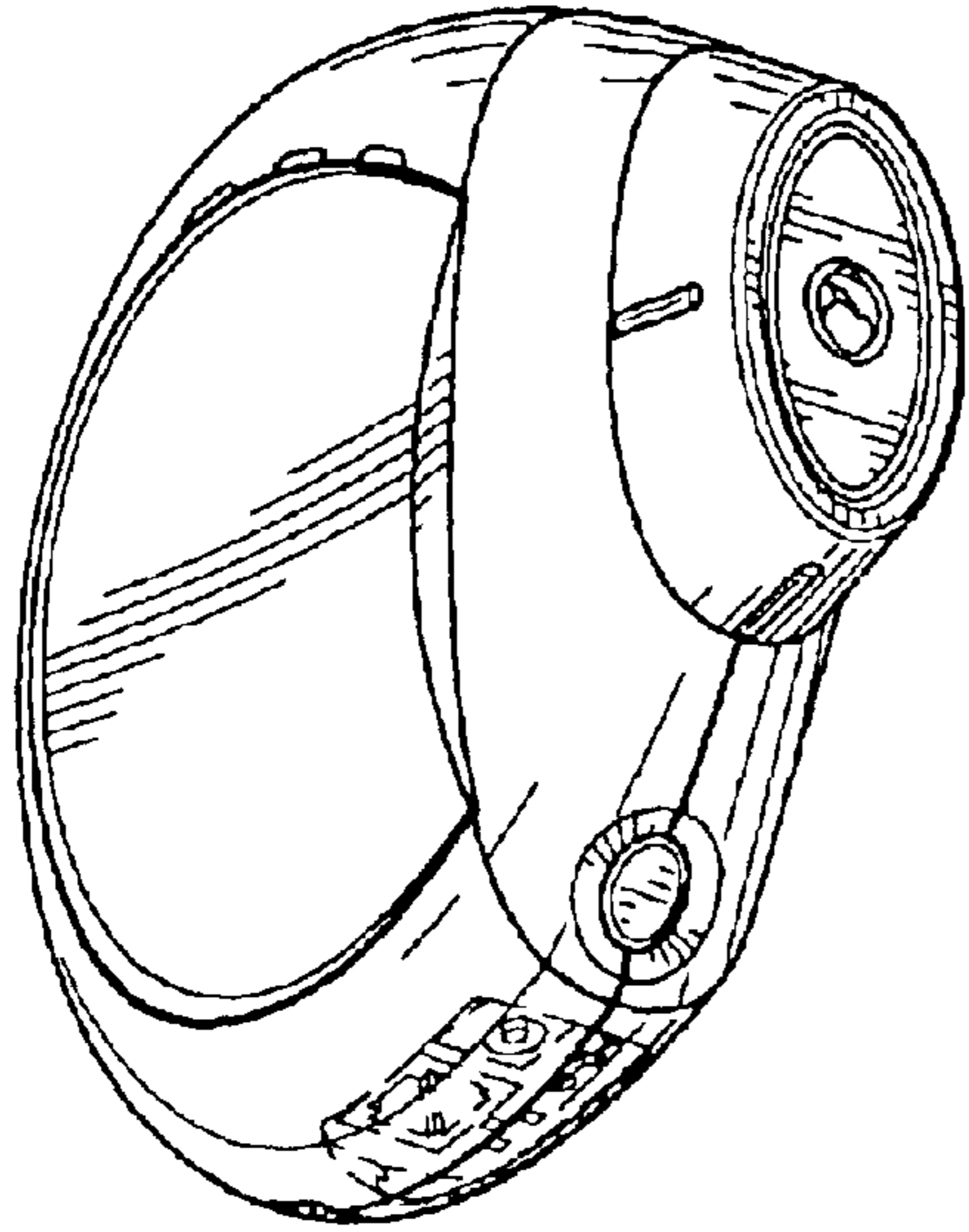


FIG. 1

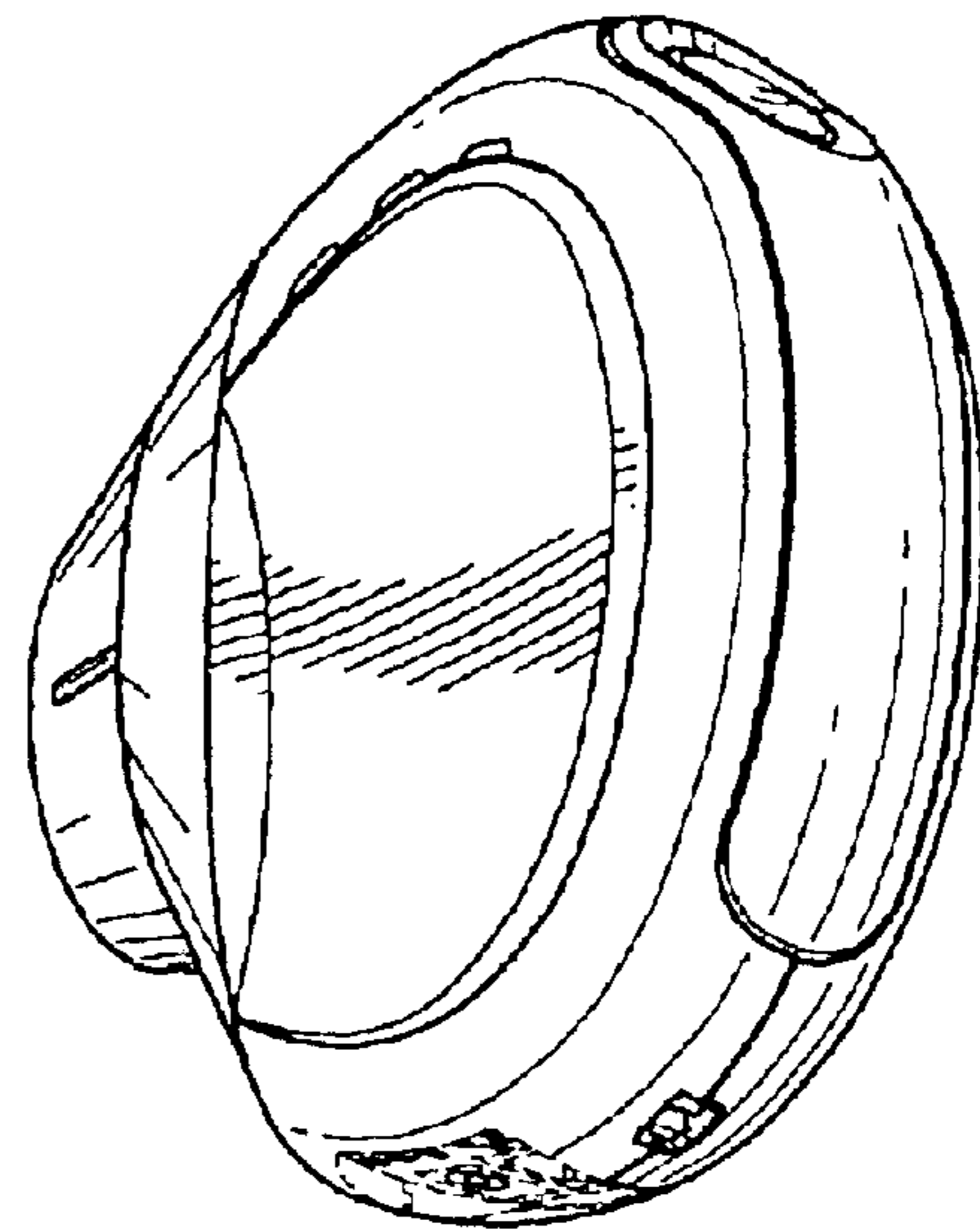


FIG. 2

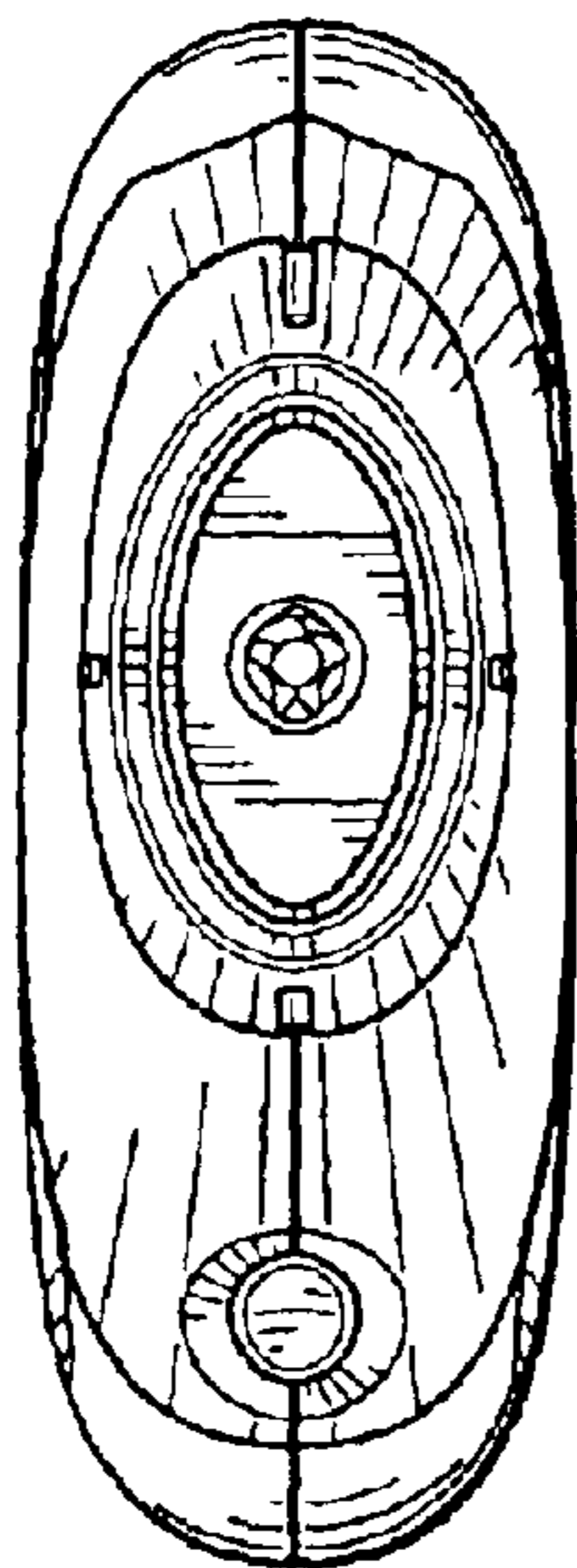


FIG. 3

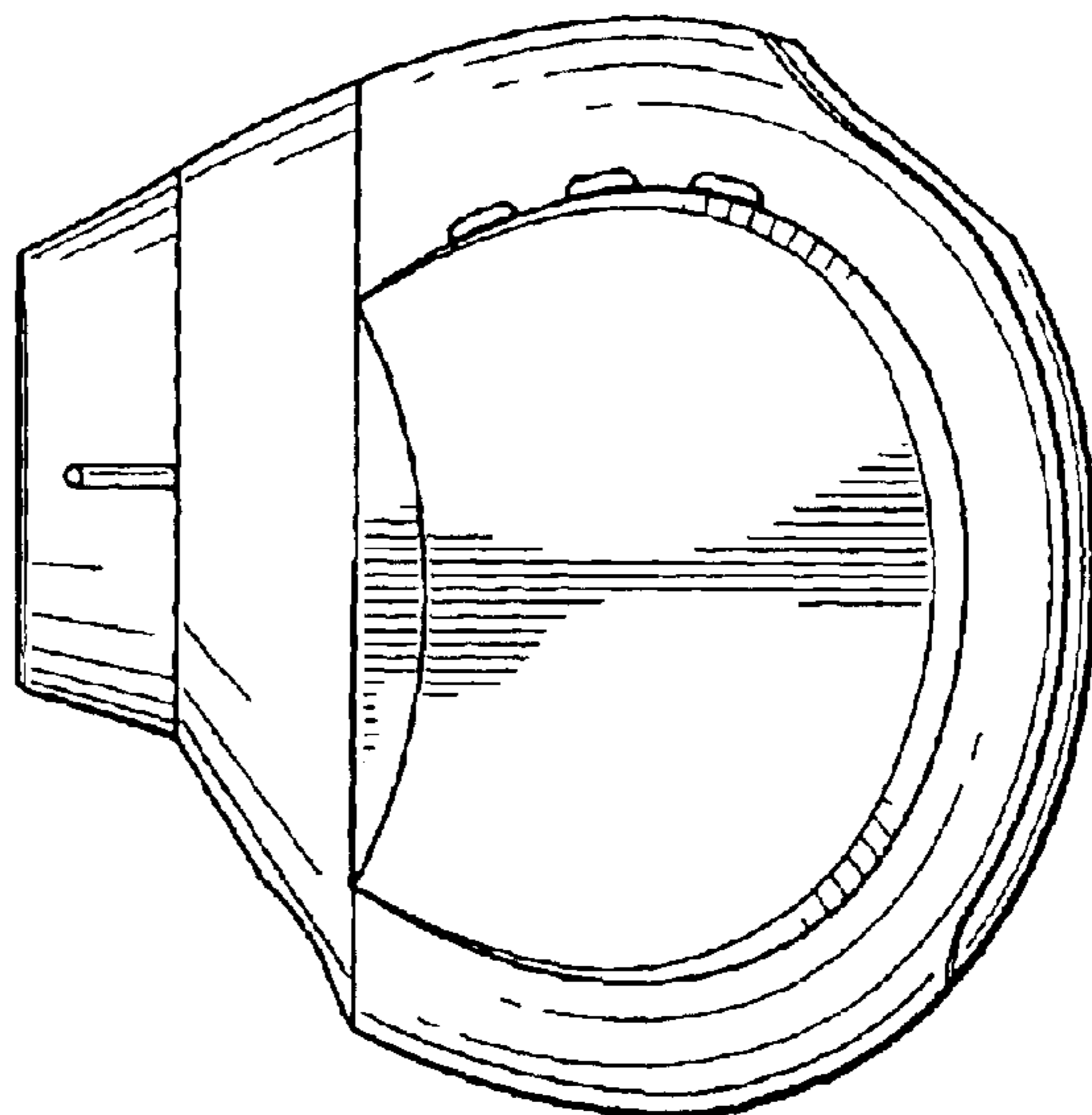


FIG. 4

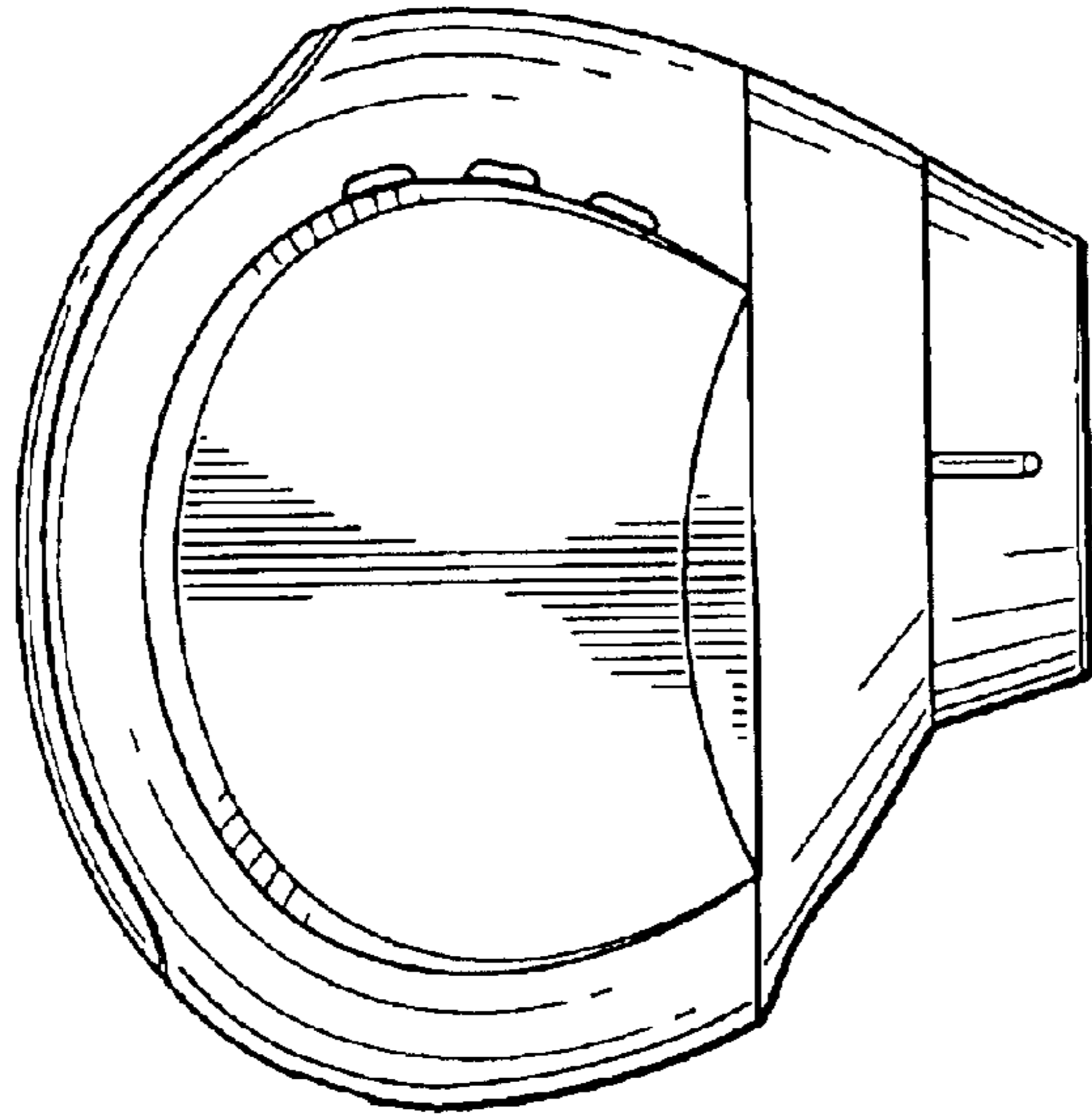


FIG. 5

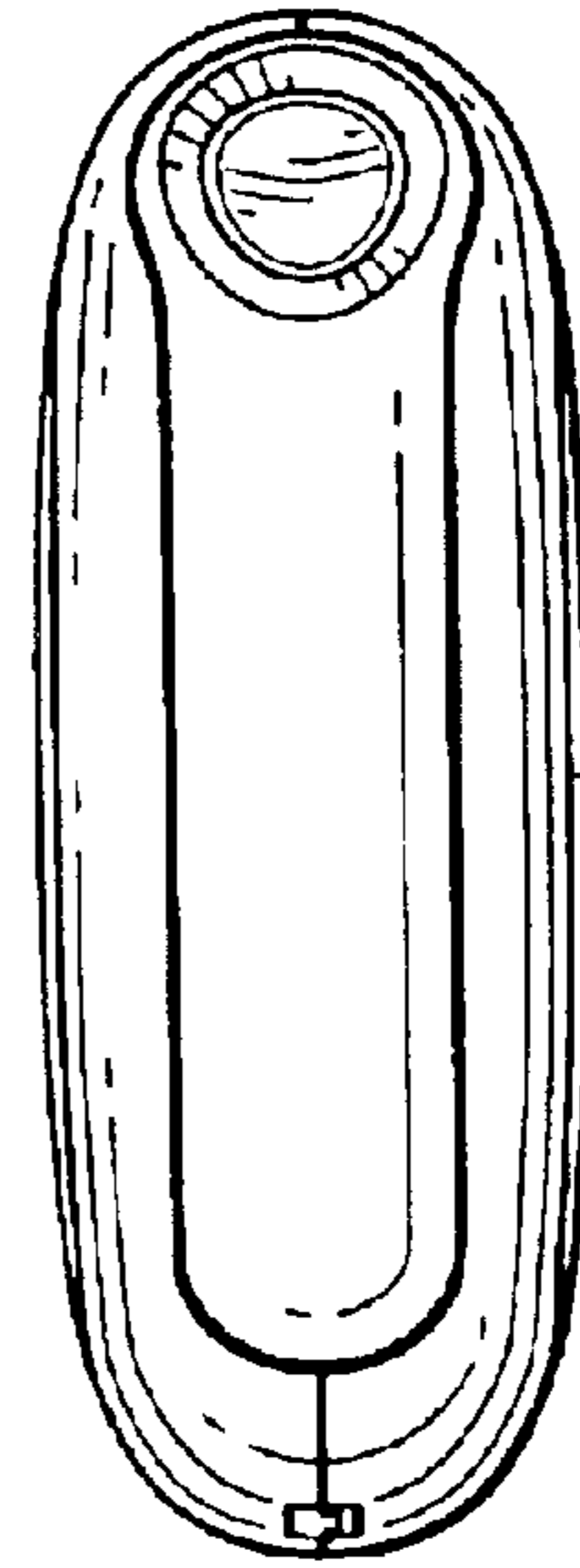


FIG. 6

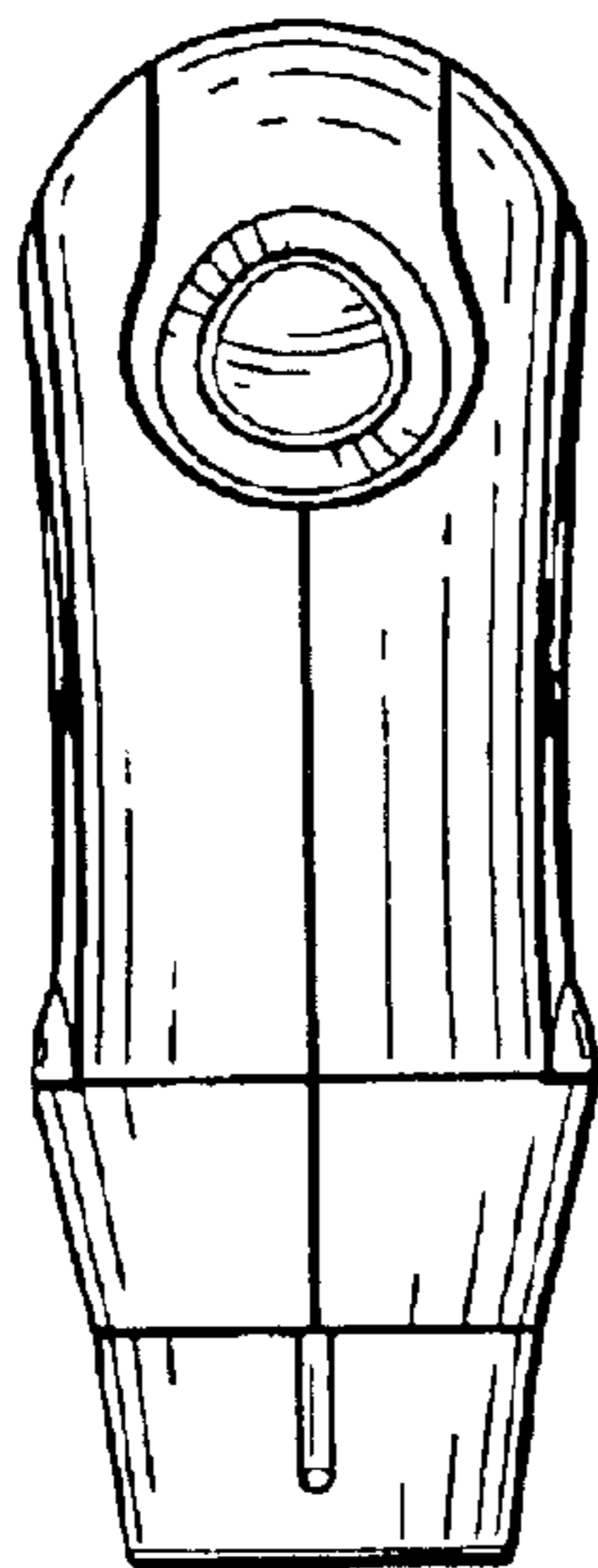


FIG. 7

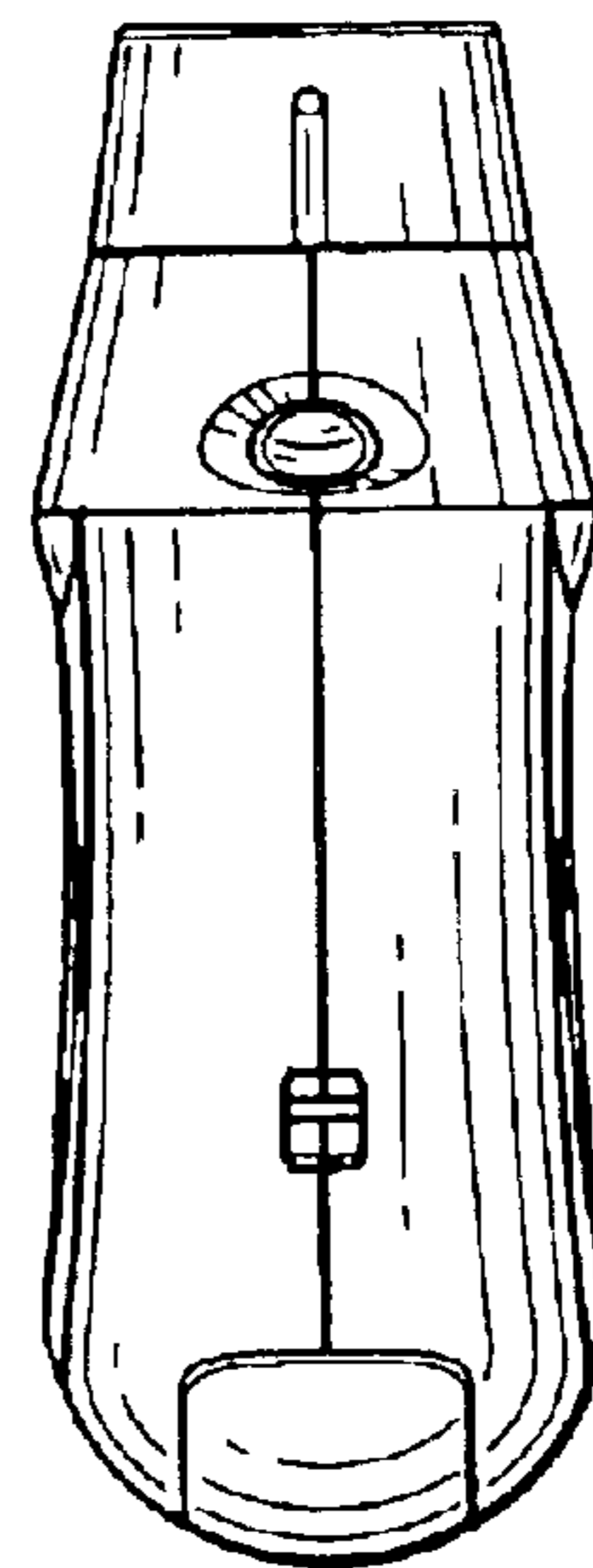


FIG. 8