

US00D501491S

(12) **United States Design Patent** (10) **Patent No.:** **US D501,491 S**
Governo et al. (45) **Date of Patent:** **** Feb. 1, 2005**

(54) **PORTABLE CONCRETE SAW FRAME**

6,536,422 B1 * 3/2003 Zuzelo et al. 125/13.01

(75) Inventors: **Anthony J. Governo**, Buena Park, CA (US); **Carl E. TenBrink**, Huntington Beach, CA (US); **Cyril Fankhouser**, Sequim, WA (US)

* cited by examiner

Primary Examiner—Antoine D. Davis
(74) *Attorney, Agent, or Firm*—McAndrews, Held & Malloy, Ltd.

(73) Assignee: **MK Diamond Products, Inc.**, Torrance, CA (US)

(57) **CLAIM**

The ornamental design for a portable concrete saw frame, as shown and described.

(**) Term: **14 Years**

DESCRIPTION

(21) Appl. No.: **29/173,912**

FIG. 1 is a perspective view of the portable concrete saw frame of the present invention;
FIG. 2 is a side elevation view thereof;
FIG. 3 is a side elevation view, showing the opposite side thereof;
FIG. 4 is a front view thereof;
FIG. 5 is a rear view thereof;
FIG. 6 is a top plan view thereof;
FIG. 7 is a bottom view thereof; and,
FIG. 8 is a perspective view, showing a pivotable platform in a raised position.
The broken line showing is for illustrative purposes only and forms no part of the claimed design.

(22) Filed: **Jan. 7, 2003**

(51) **LOC (7) Cl.** **15-09**

(52) **U.S. Cl.** **D15/127; D15/141**

(58) **Field of Search** **D15/127, 133, D15/19, 141; D8/64**

(56) **References Cited**

U.S. PATENT DOCUMENTS

- D346,104 S * 4/1994 Yelton D8/64
- D404,042 S * 1/1999 Allen D15/127
- 6,318,353 B1 * 11/2001 Edwards et al. 125/13.01

1 Claim, 8 Drawing Sheets

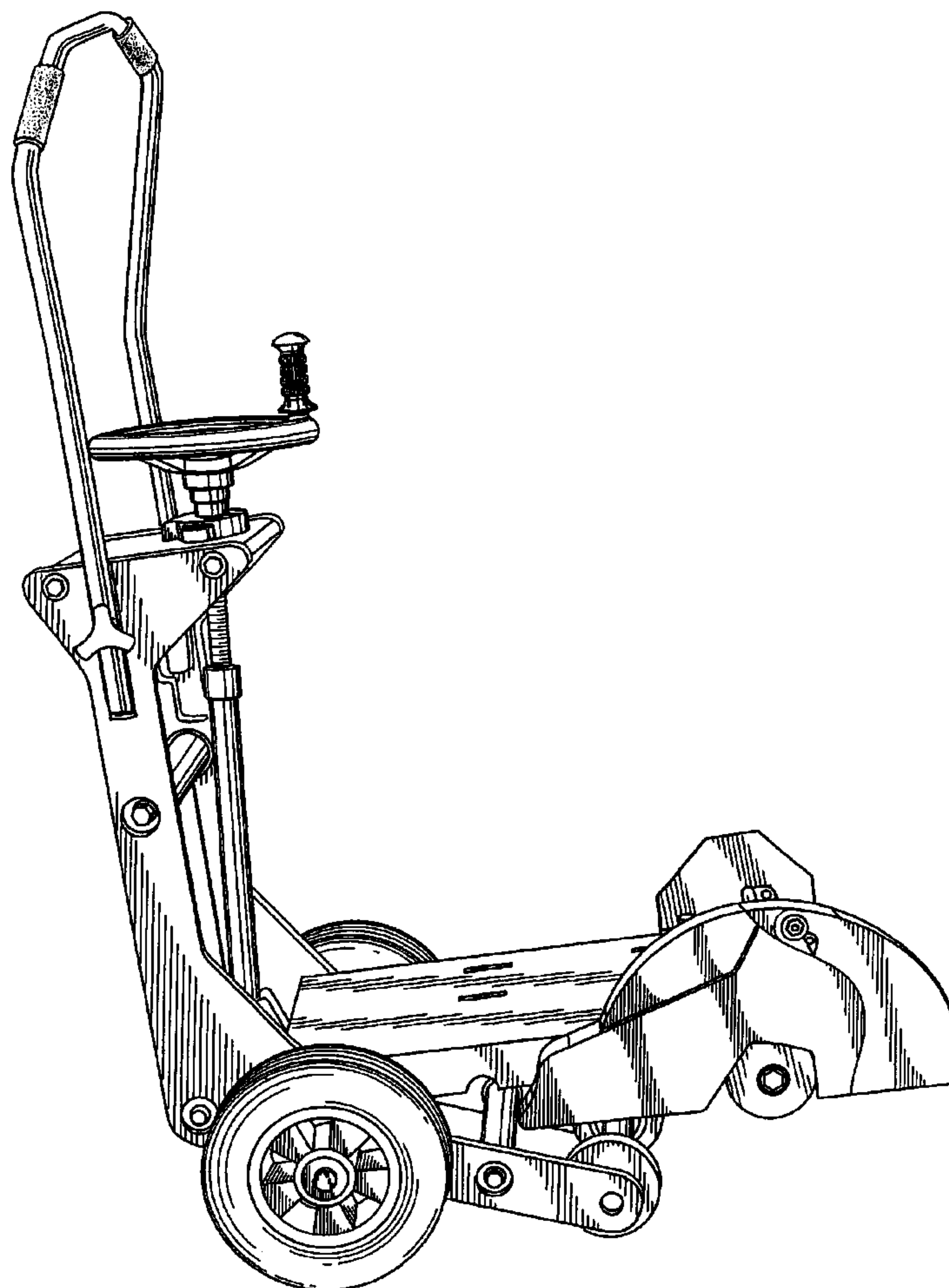


Fig. 1

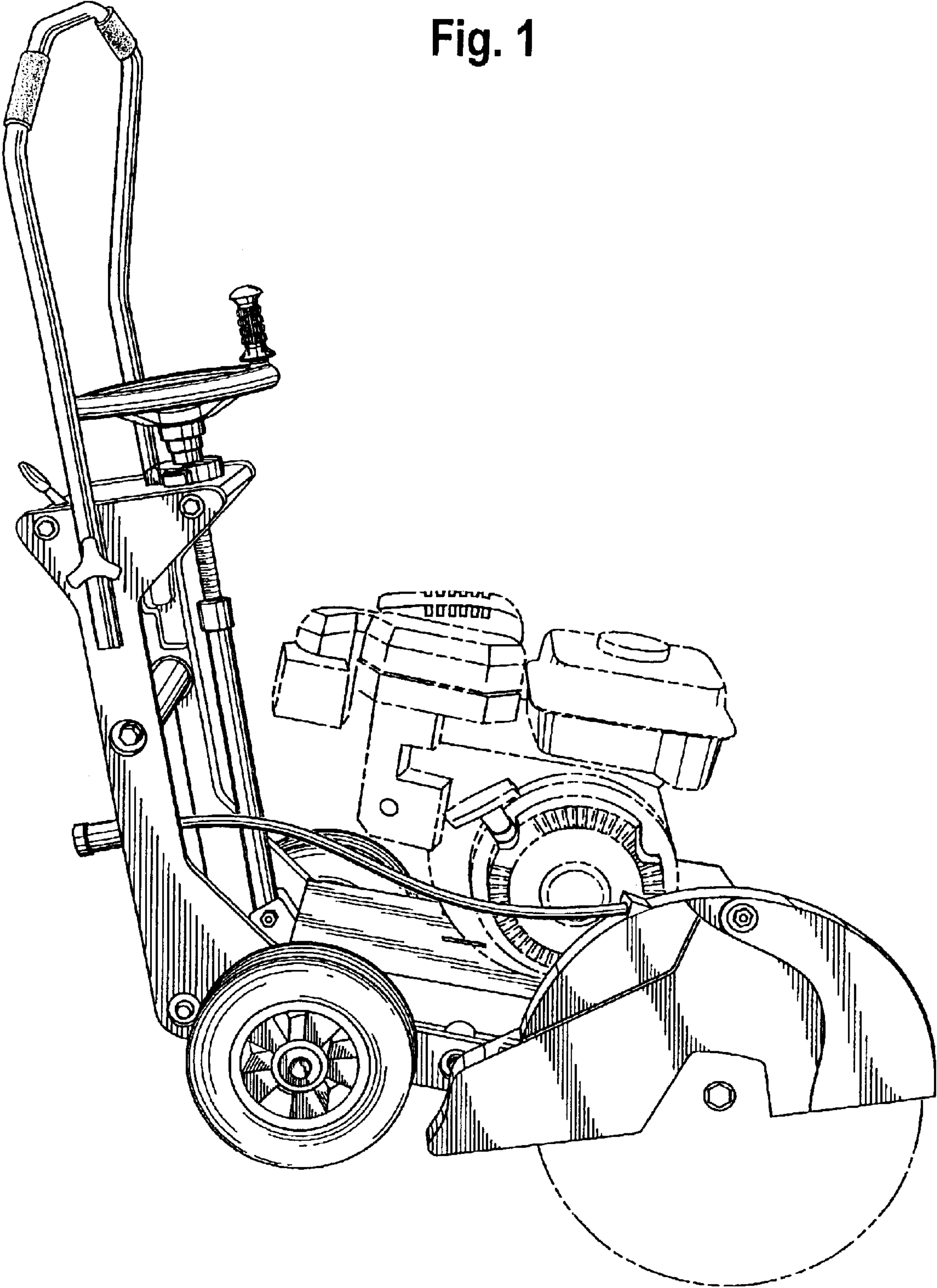


Fig. 2

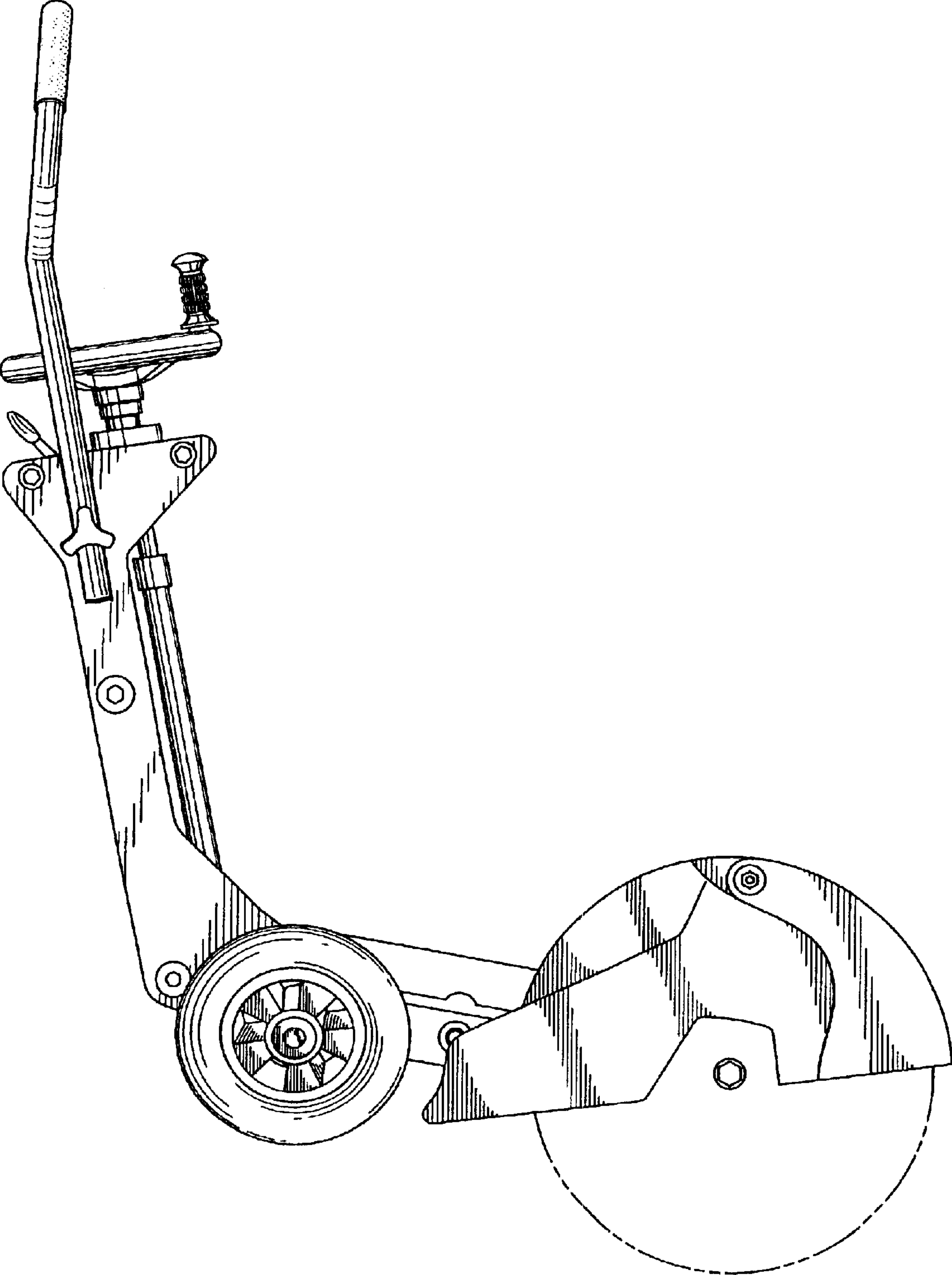


Fig. 3

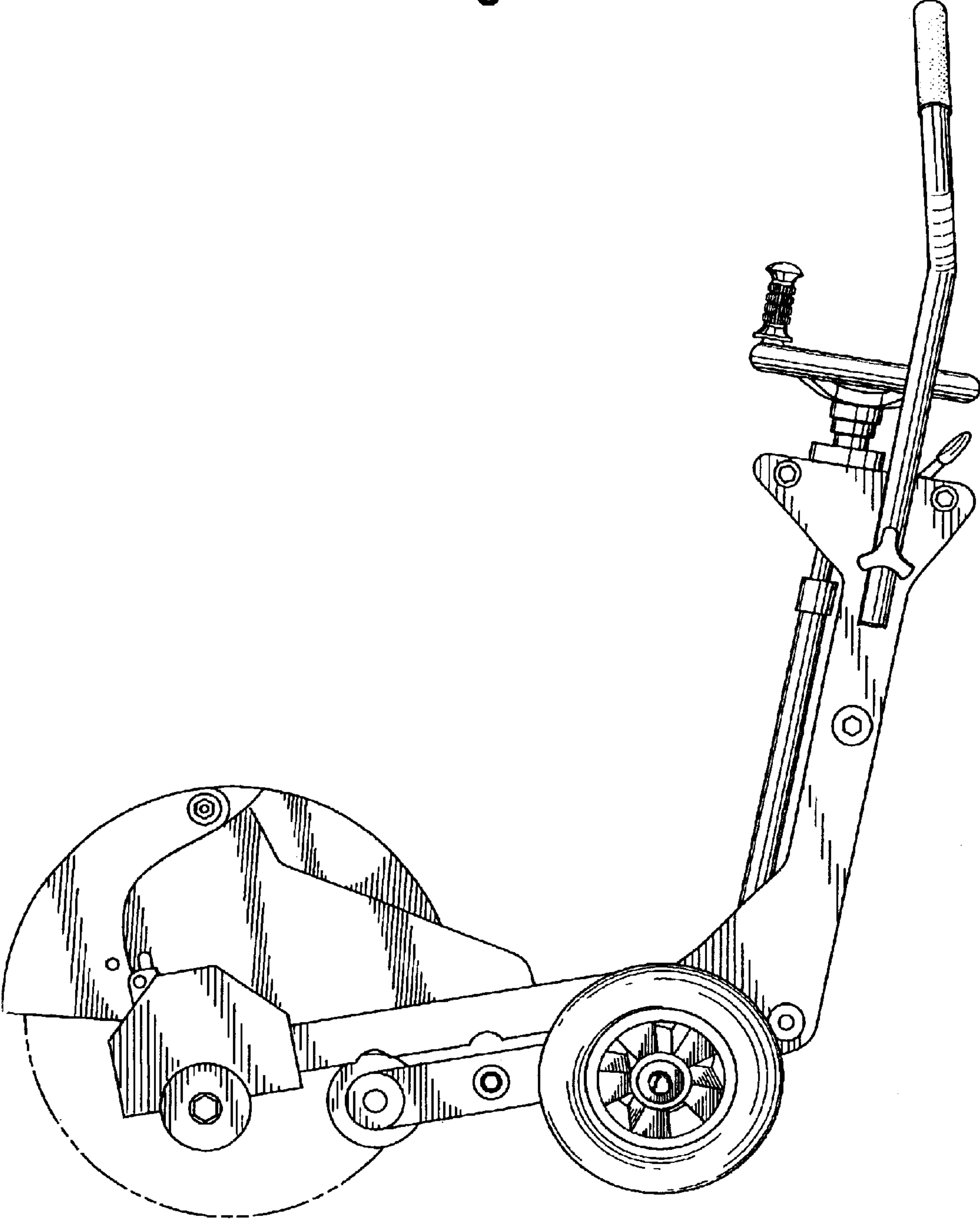


Fig. 4

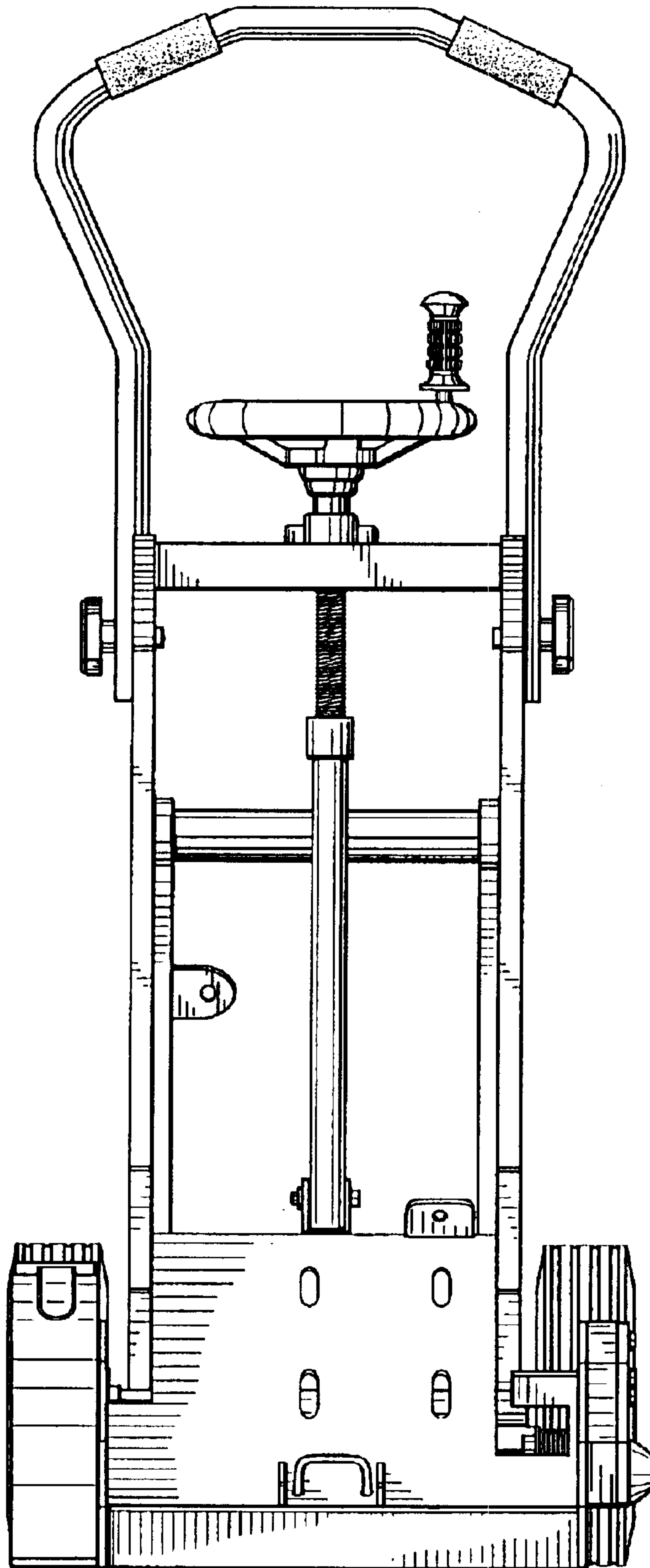


Fig. 5

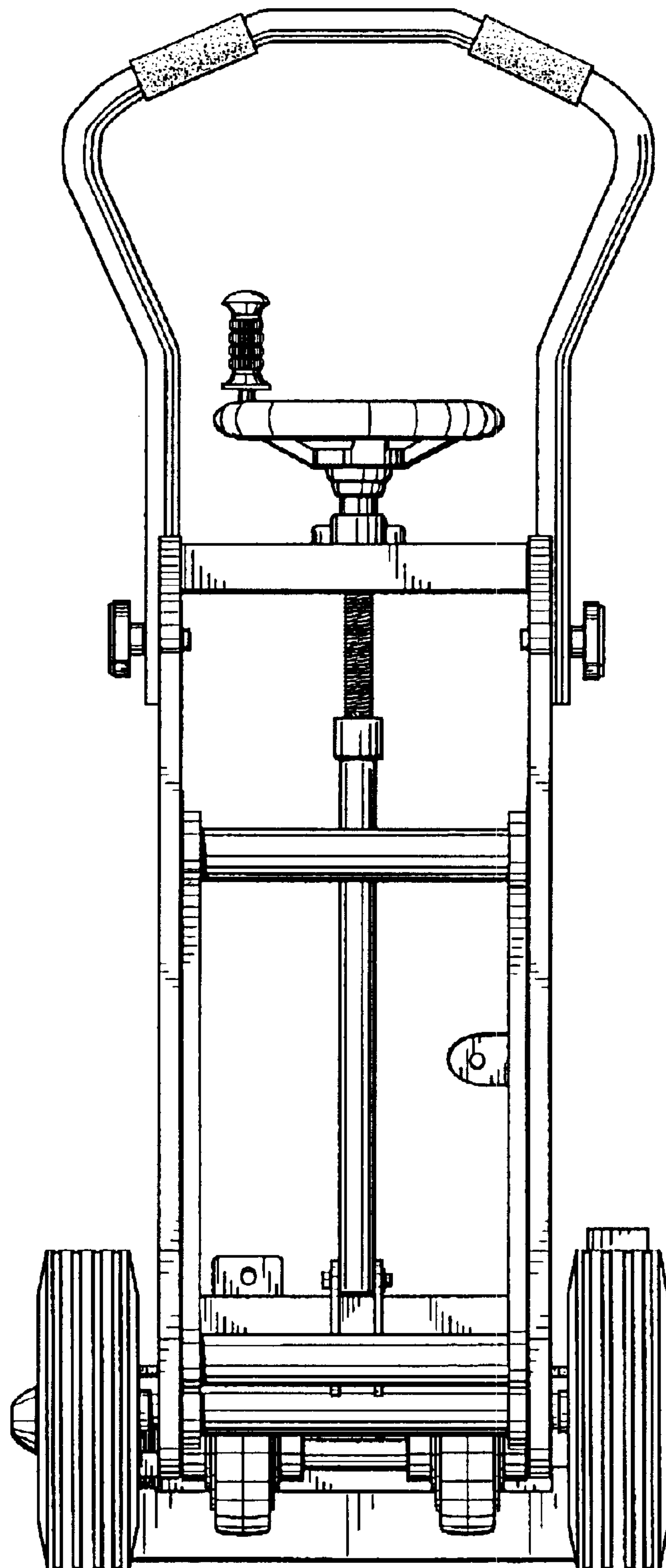


Fig. 6

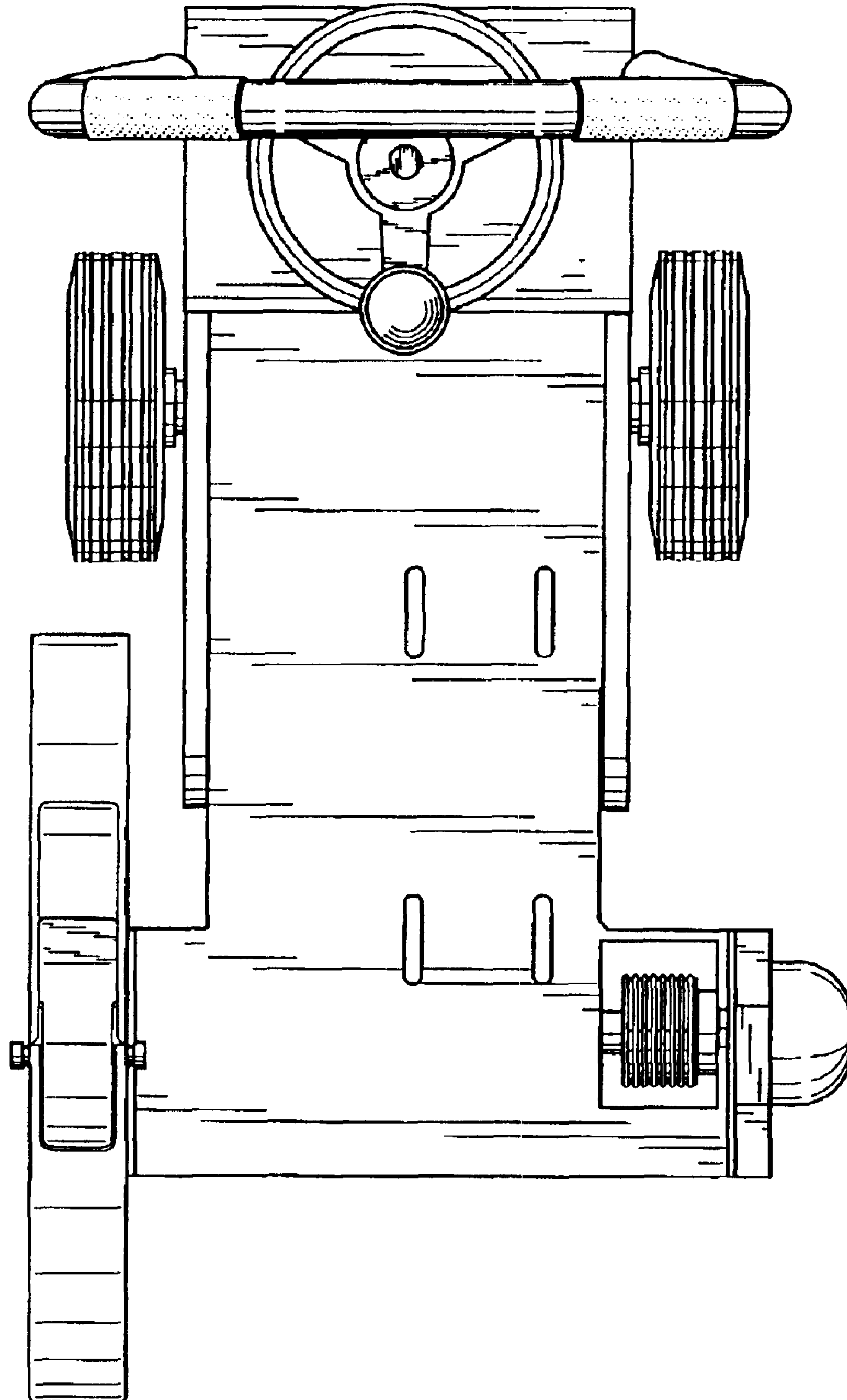


Fig. 7

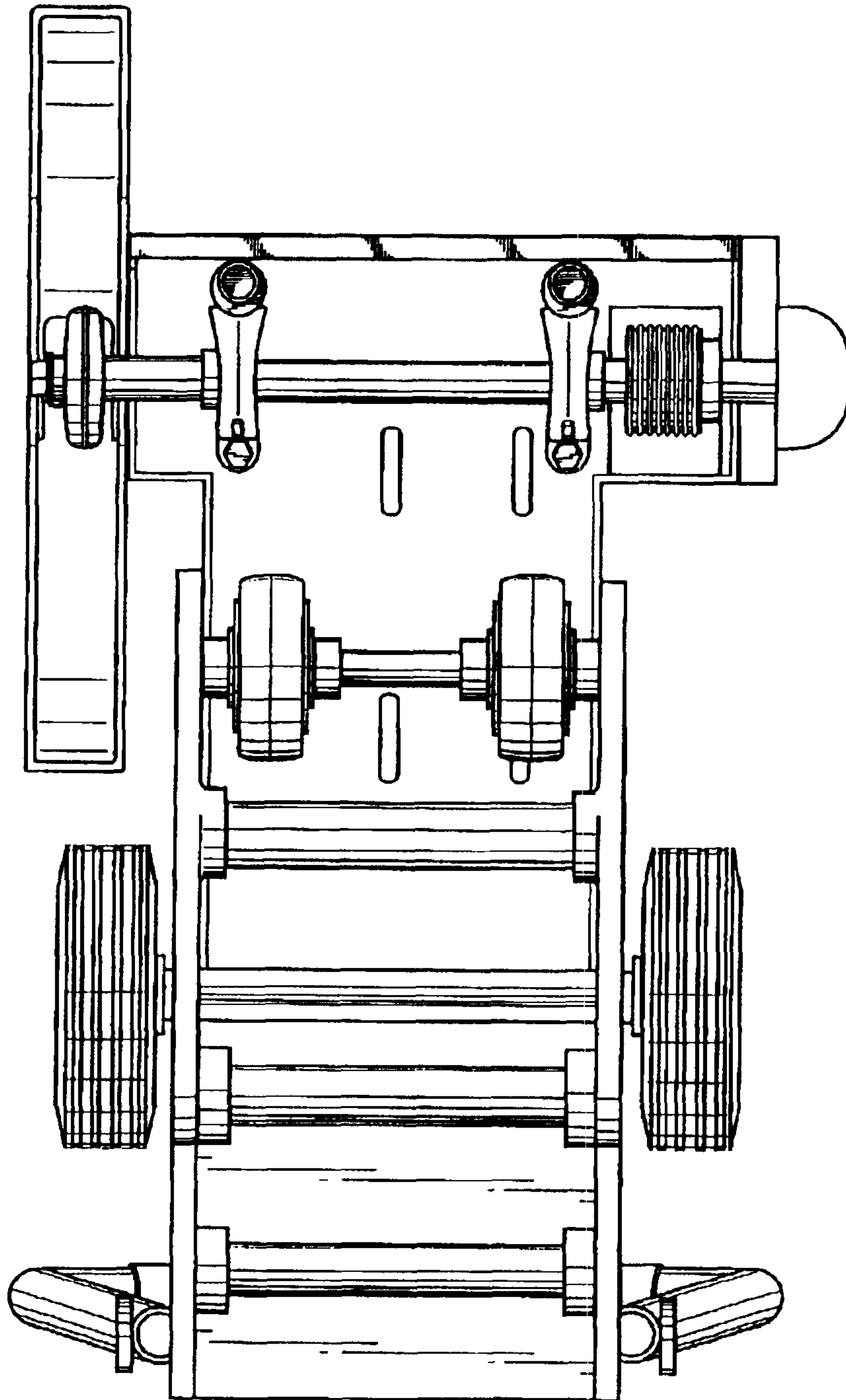


Fig. 8

