



US00D501487S

(12) **United States Design Patent** (10) **Patent No.:** **US D501,487 S**
Katoh et al. (45) **Date of Patent:** **** Feb. 1, 2005**

(54) **AGRICULTURAL TRACTOR**

(75) Inventors: **Hisato Katoh, Sakai (JP); Kenichi Sato, Sakai (JP)**

(73) Assignee: **Kubota Corporation, Osaka (JP)**

(**) Term: **14 Years**

(21) Appl. No.: **29/188,372**

(22) Filed: **Aug. 18, 2003**

(30) **Foreign Application Priority Data**

Mar. 20, 2003 (JP) 2003-007616

(51) **LOC (7) Cl.** **15-03**

(52) **U.S. Cl.** **D15/23**

(58) **Field of Search** D15/10, 14, 15,
D15/23-26; 56/12.7, 15.8, 200, 202, 255,
320.1, 320.2; 180/89.1, 89.2, 900

(56) **References Cited**

U.S. PATENT DOCUMENTS

D258,824 S	*	4/1981	Funabashi	D15/23
D312,465 S	*	11/1990	Yaguchi et al.	D15/23
D363,939 S	*	11/1995	Kato et al.	D15/15
D363,940 S	*	11/1995	Hinklin	D15/15
D378,755 S	*	4/1997	Kato et al.	D15/23
D421,266 S	*	2/2000	Hinklin	D15/15
D422,606 S	*	4/2000	Katoh et al.	D15/23
D438,546 S	*	3/2001	Katoh et al.	D15/23

* cited by examiner

Primary Examiner—Mitchell Siegel
(74) *Attorney, Agent, or Firm*—Webb Ziesenheim Logsdon Orkin & Hanson P.C.

(57) **CLAIM**

The ornamental design for an agricultural tractor, as shown and described.

DESCRIPTION

FIG. 1 is a left side view of an agricultural tractor in accordance with the present invention;
FIG. 2 is a right side view of the agricultural tractor shown in FIG. 1;
FIG. 3 is a front view of the agricultural tractor shown in FIG. 1;
FIG. 4 is a rear view of the agricultural tractor shown in FIG. 1;
FIG. 5 is a top plan view of the agricultural tractor shown in FIG. 1;
FIG. 6 is an enlarged right side view of a portion of the agricultural tractor shown in FIG. 1;
FIG. 7 is a front and left side perspective view of the agricultural tractor shown in FIG. 1;
FIG. 8 is a front and right side perspective view of the agricultural tractor shown in FIG. 1; and,
FIG. 9 is an enlarged front and right side perspective view of a portion of the agricultural tractor shown in FIG. 1.

1 Claim, 5 Drawing Sheets





Fig. 1

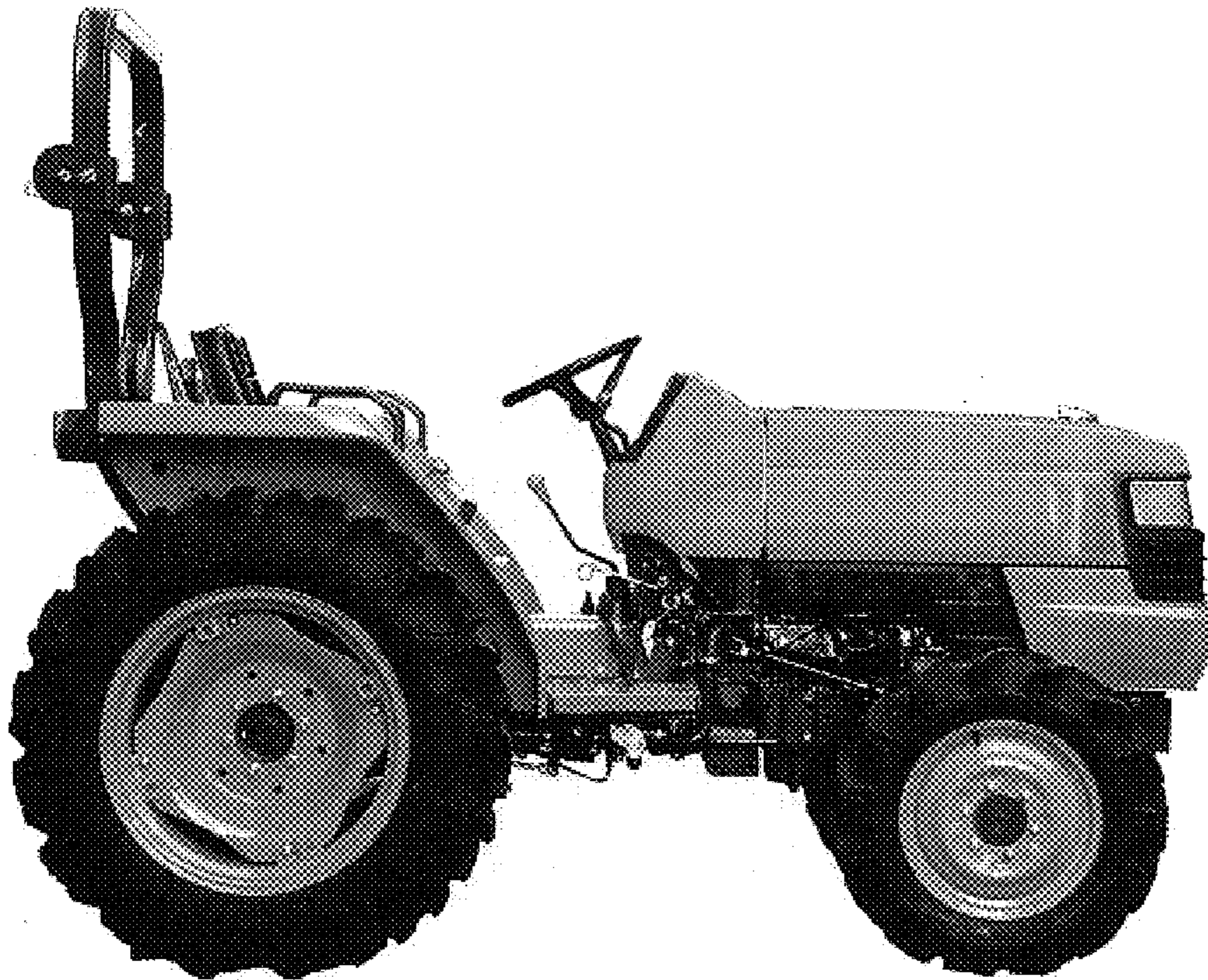


Fig. 2

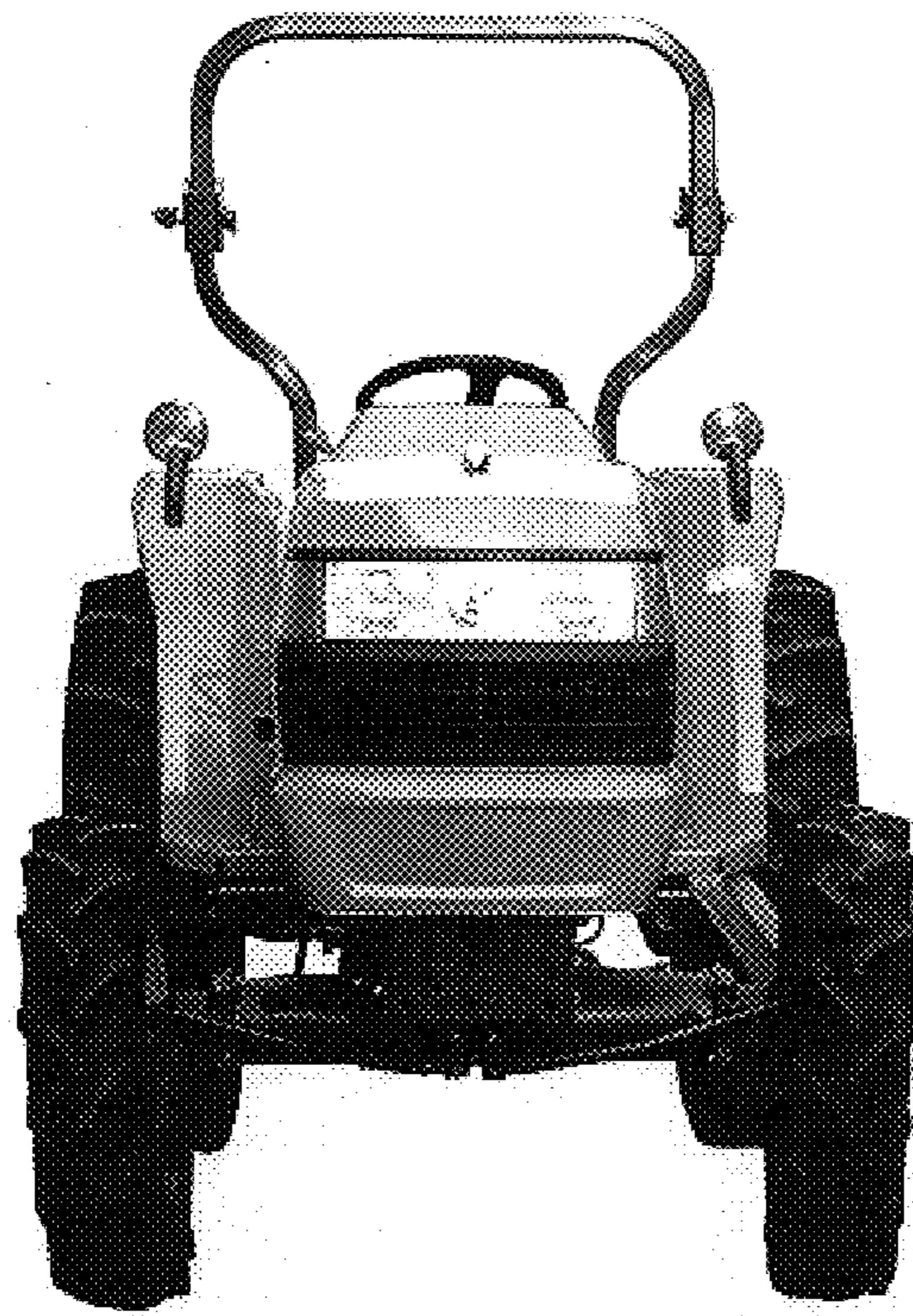


Fig. 3

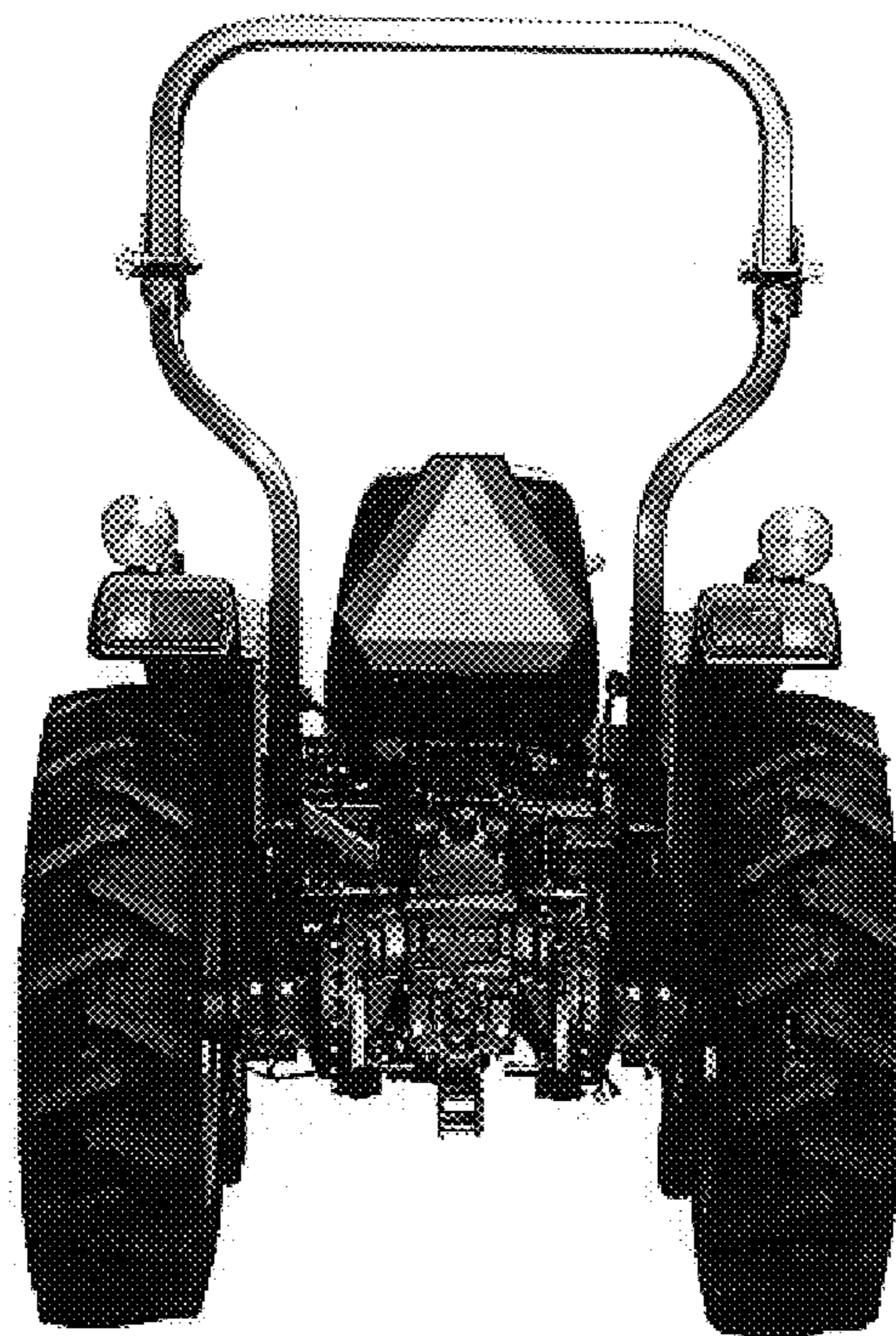


Fig. 4

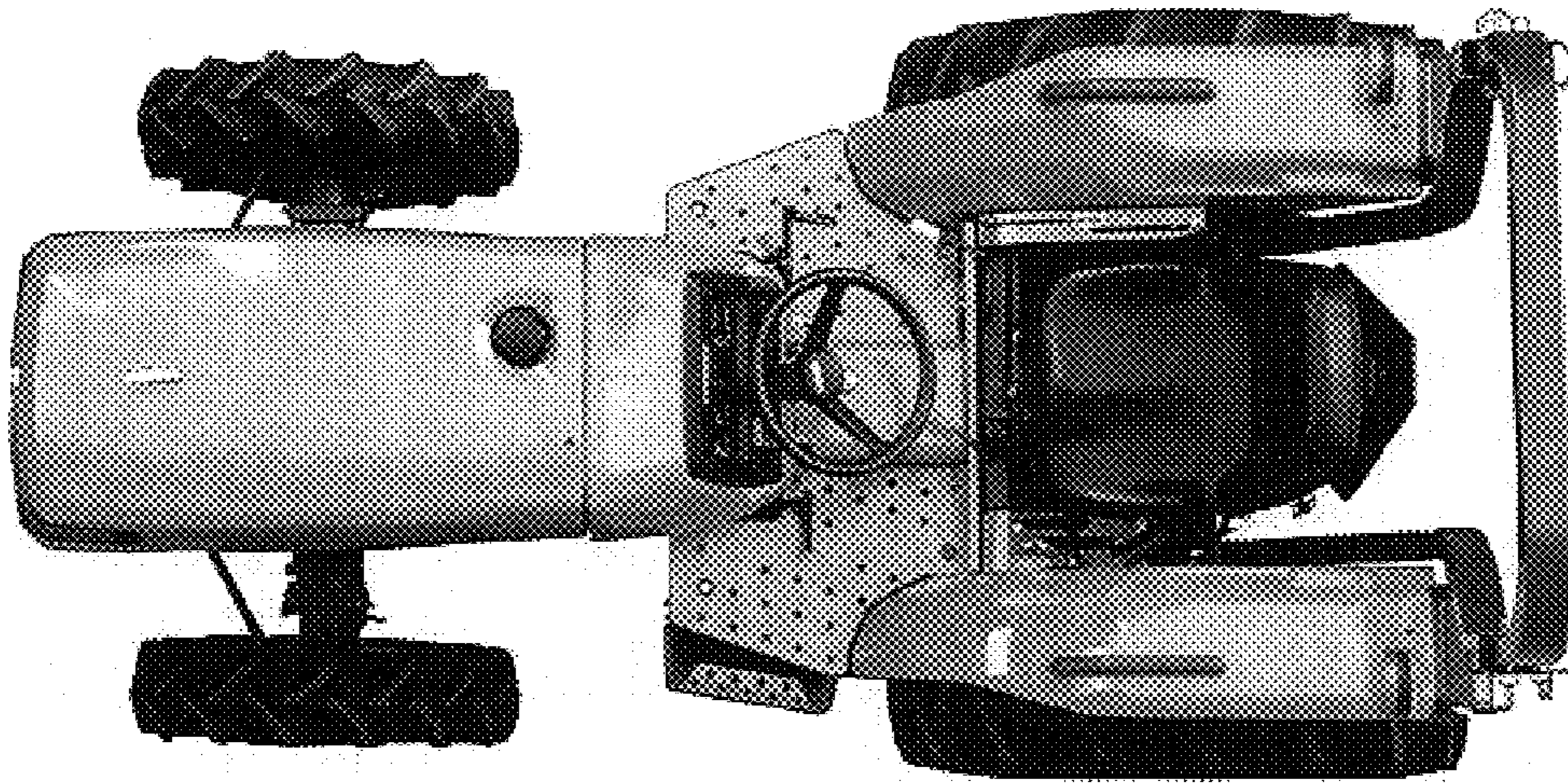


Fig. 5

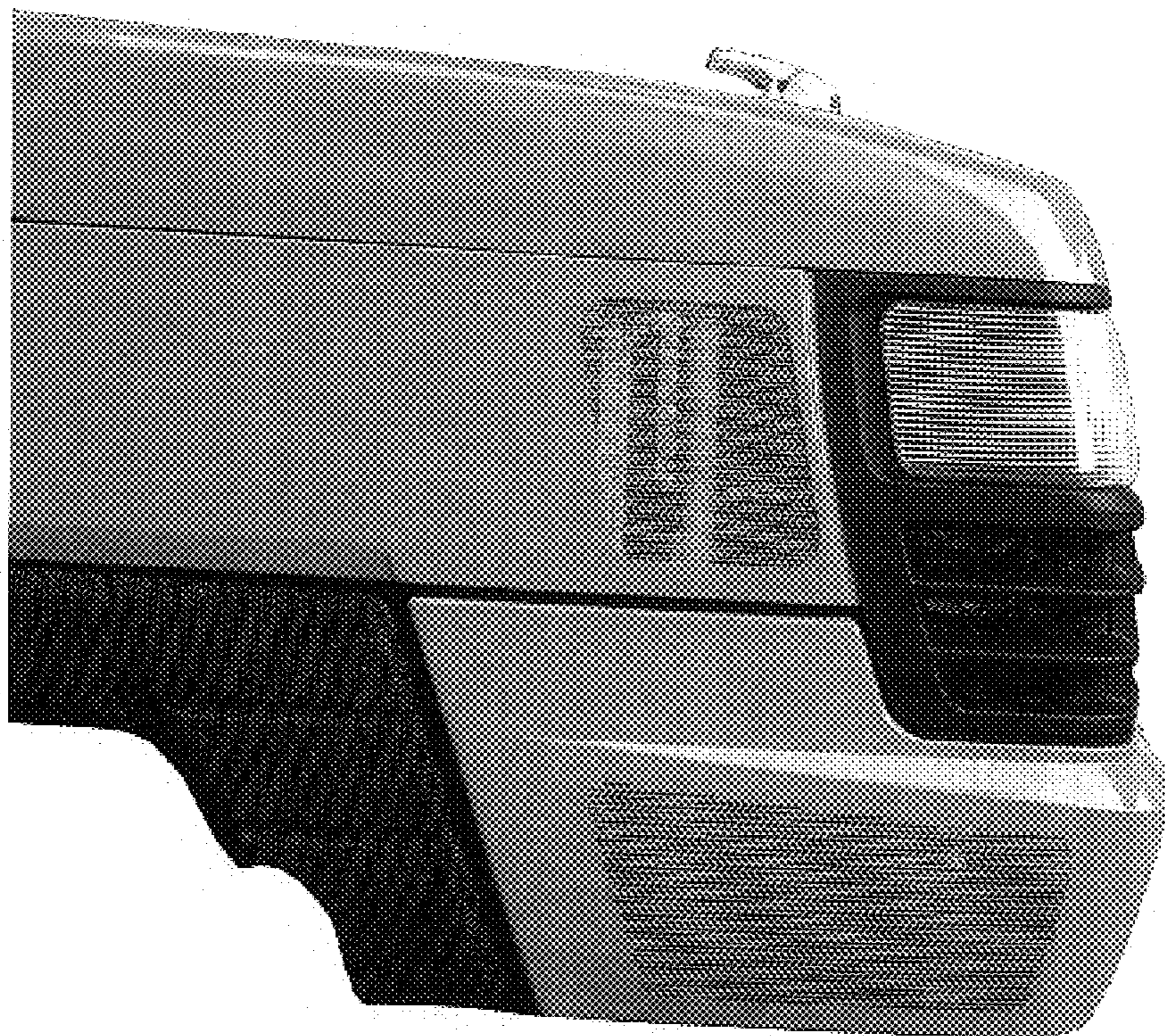


Fig. 6



Fig. 7



Fig. 8

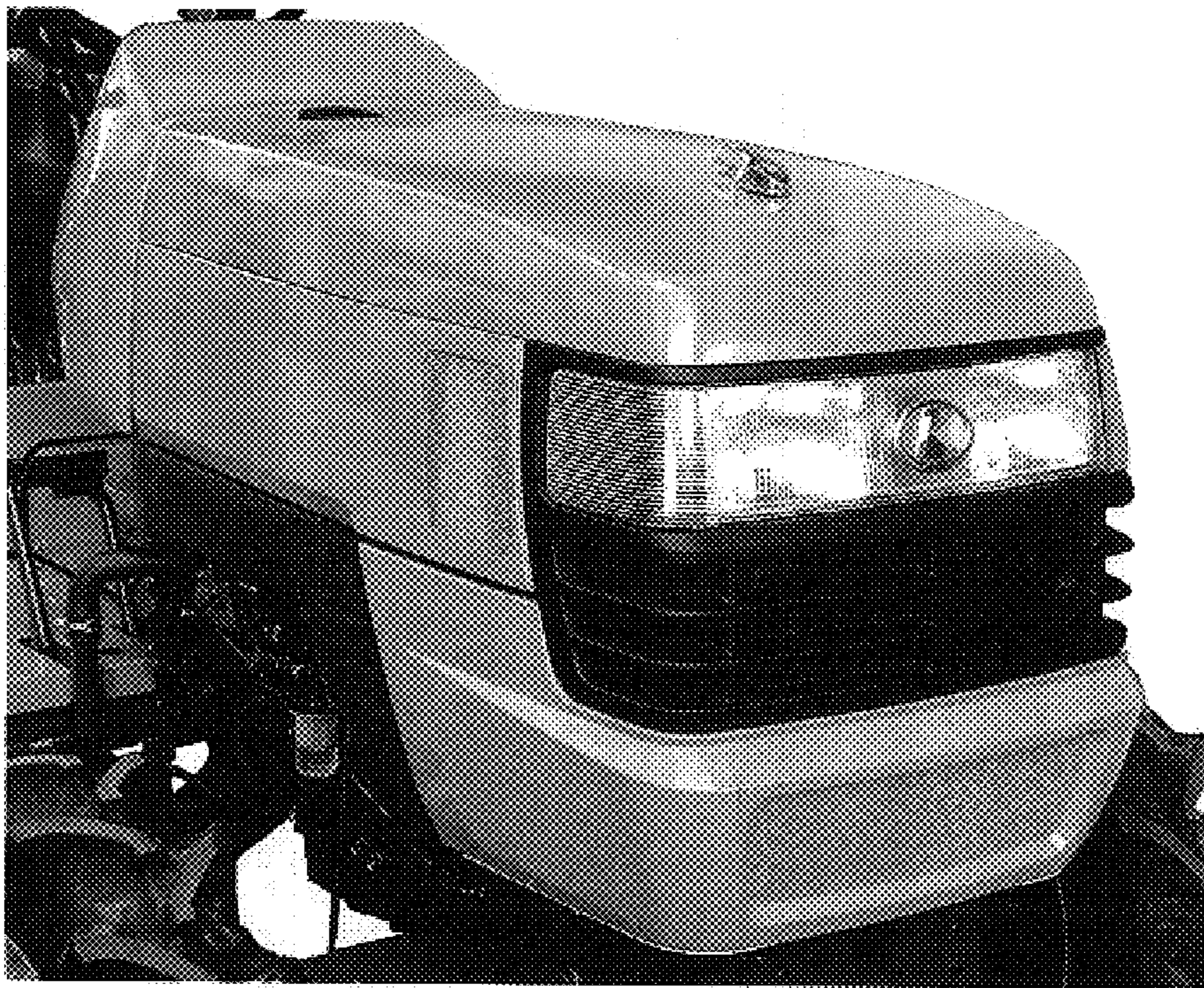


Fig. 9