

US00D501486S

(12) **United States Design Patent**  
**Leone et al.**

(10) **Patent No.: US D501,486 S**

(45) **Date of Patent: \*\* Feb. 1, 2005**

(54) **LIQUID PUMP**

(76) Inventors: **Michele Leone**, Via Caboto 11, I-56031 Marina di Pisa (PI) (IT); **Alessandro Santoni**, Via Goya 2, I-56010 S. Giuliano Terme (PI) (IT); **Marco Trovi**, Via de Nicola 162, I-56025 Pontedera (PI) (IT); **Giancarlo Roggiolani**, Via del Muschio 31, I-58043 Castiglione della Pescaja (GR) (IT); **Paul Craig Mellinger**, 1336 SW. 19<sup>TH</sup> Ave., Ft. Lauderdale, FL (US) 33312; **Melvyn Wayne Mellinger**, 1415 SW. 15<sup>th</sup> Ave., Ft. Lauderdale, FL (US) 33312; **Mark Wayne Mellinger**, 2424 SE. 9<sup>TH</sup> St., Pompano Beach, FL (US) 33062; **Case Marshall Crowther**, 825 NW. 6<sup>TH</sup> Ave., Dania Beach, FL (US) 33004

(\*\*) Term: **14 Years**

(21) Appl. No.: **29/199,248**

(22) Filed: **Feb. 12, 2004**

(30) **Foreign Application Priority Data**

Sep. 26, 2003 (EM) ..... 80098

(51) **LOC (7) Cl.** ..... **15-02**

(52) **U.S. Cl.** ..... **D15/7**

(58) **Field of Search** ..... D15/7-9; 417/321, 417/410, 413.1, 415, 423.3, 486, 521, 534; 415/148

(56) **References Cited**

U.S. PATENT DOCUMENTS

D395,317 S \* 6/1998 Karlsson et al. .... D15/7  
D470,155 S \* 2/2003 Makino et al. .... D15/9  
D490,821 S \* 6/2004 Leventhal et al. .... D15/9

\* cited by examiner

*Primary Examiner*—Ralf Seifert

(74) *Attorney, Agent, or Firm*—Ladas & Parry

(57) **CLAIM**

We claim the ornamental design for liquid pump, as shown and described.

**DESCRIPTION**

FIG. 1 is a front elevational view of a liquid pump showing our new design;

FIG. 2 is a right-side/rear/top perspective view thereof;

FIG. 3 is a right-side/front/top perspective view thereof;

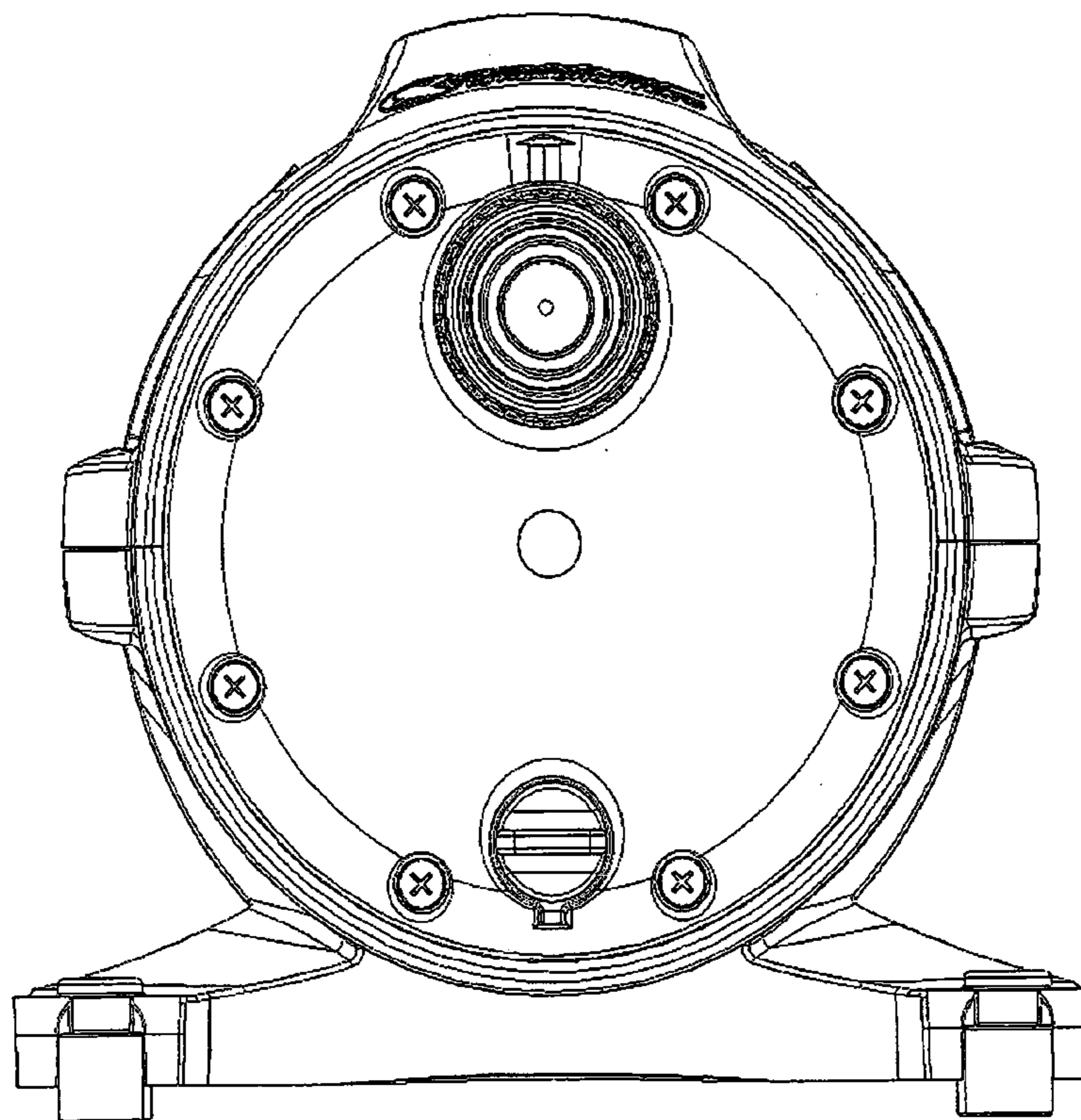
FIG. 4 is a rear elevational view thereof;

FIG. 5 is a right-side elevational view thereof, the left side elevational view being a mirror image, except for the power cords shown partially hidden in the upper right of this drawing;

FIG. 6 is a top plan view thereof; and,

FIG. 7 is a bottom plan view thereof.

**1 Claim, 7 Drawing Sheets**



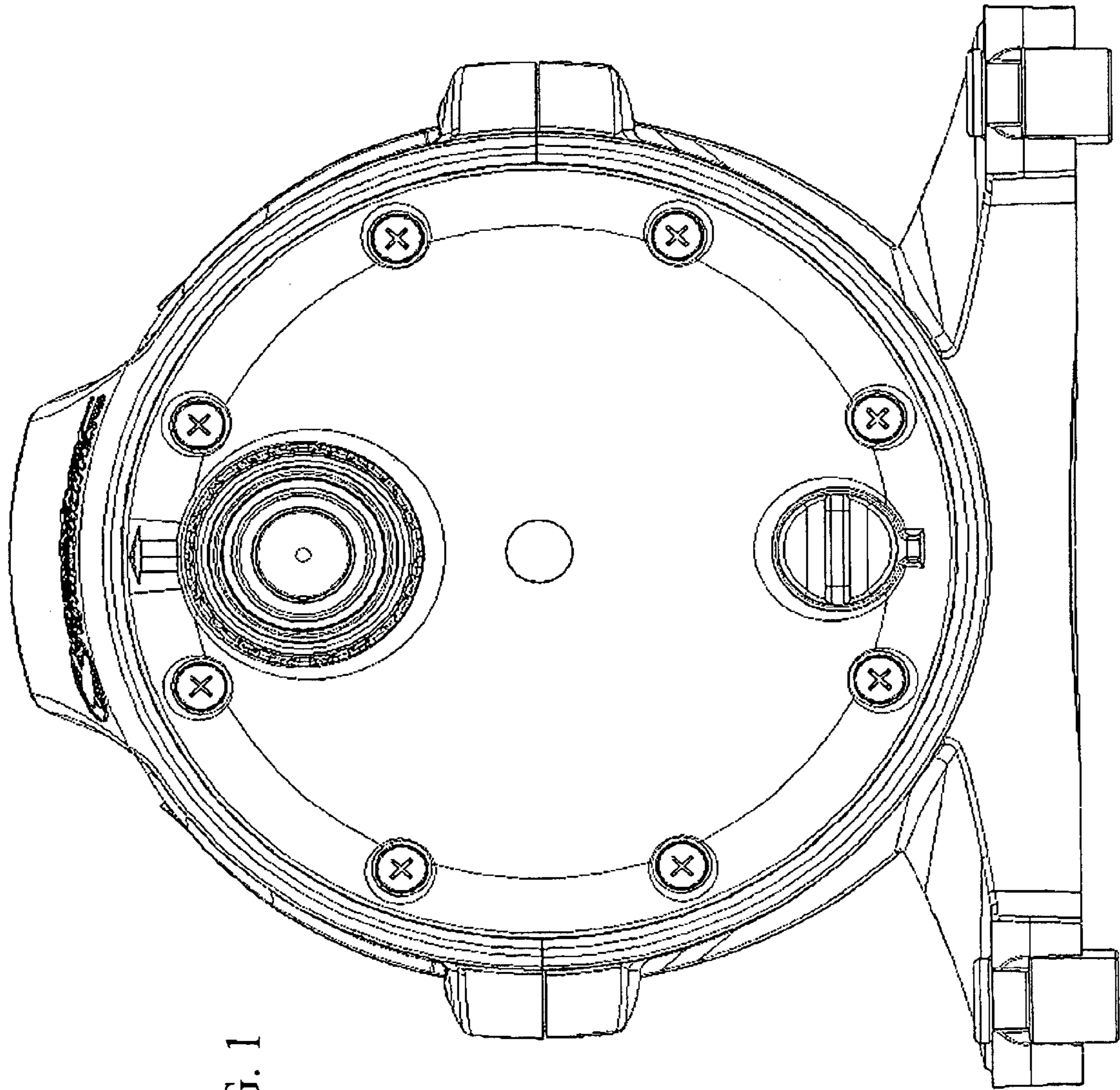


FIG. 1

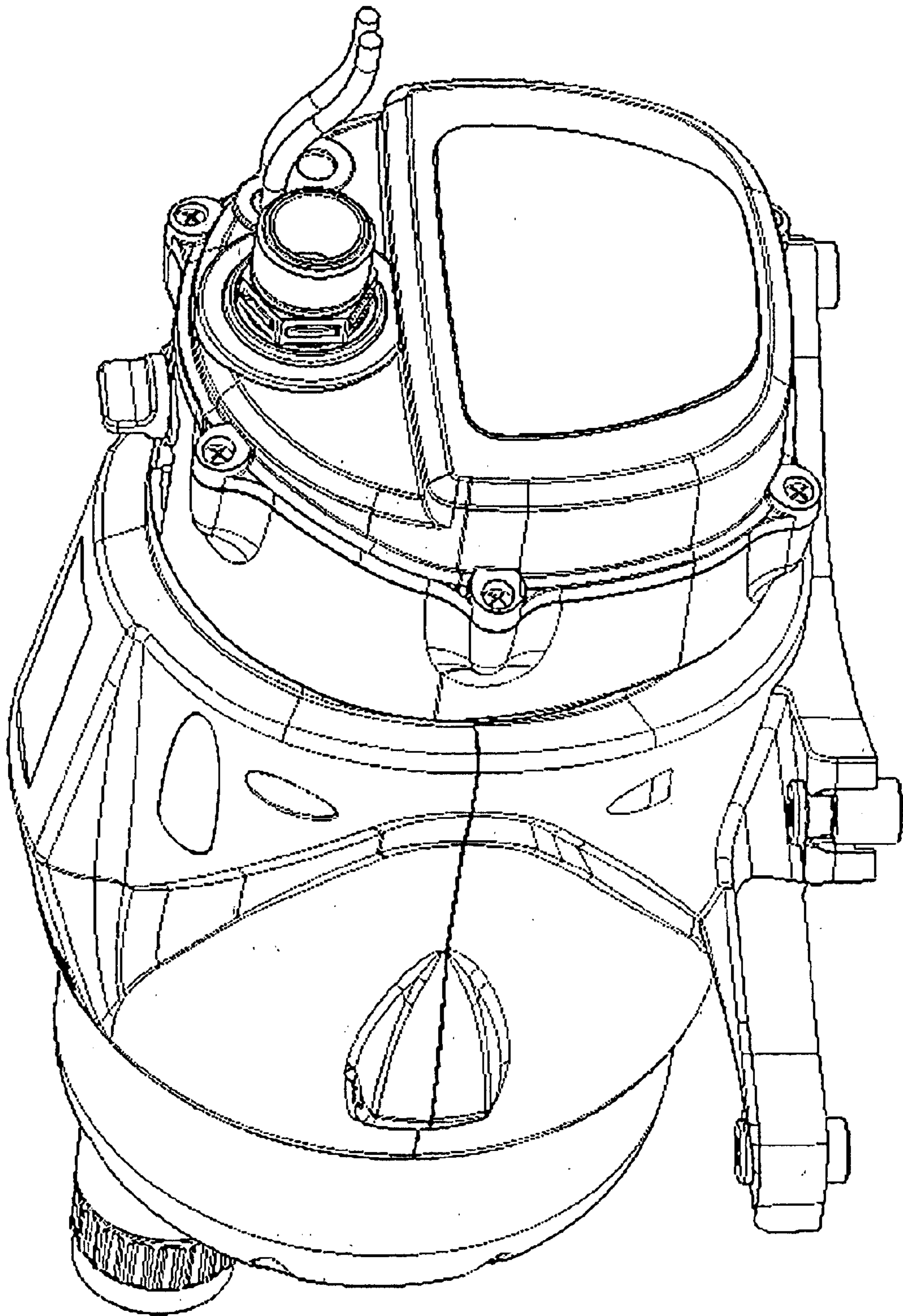


FIG. 2

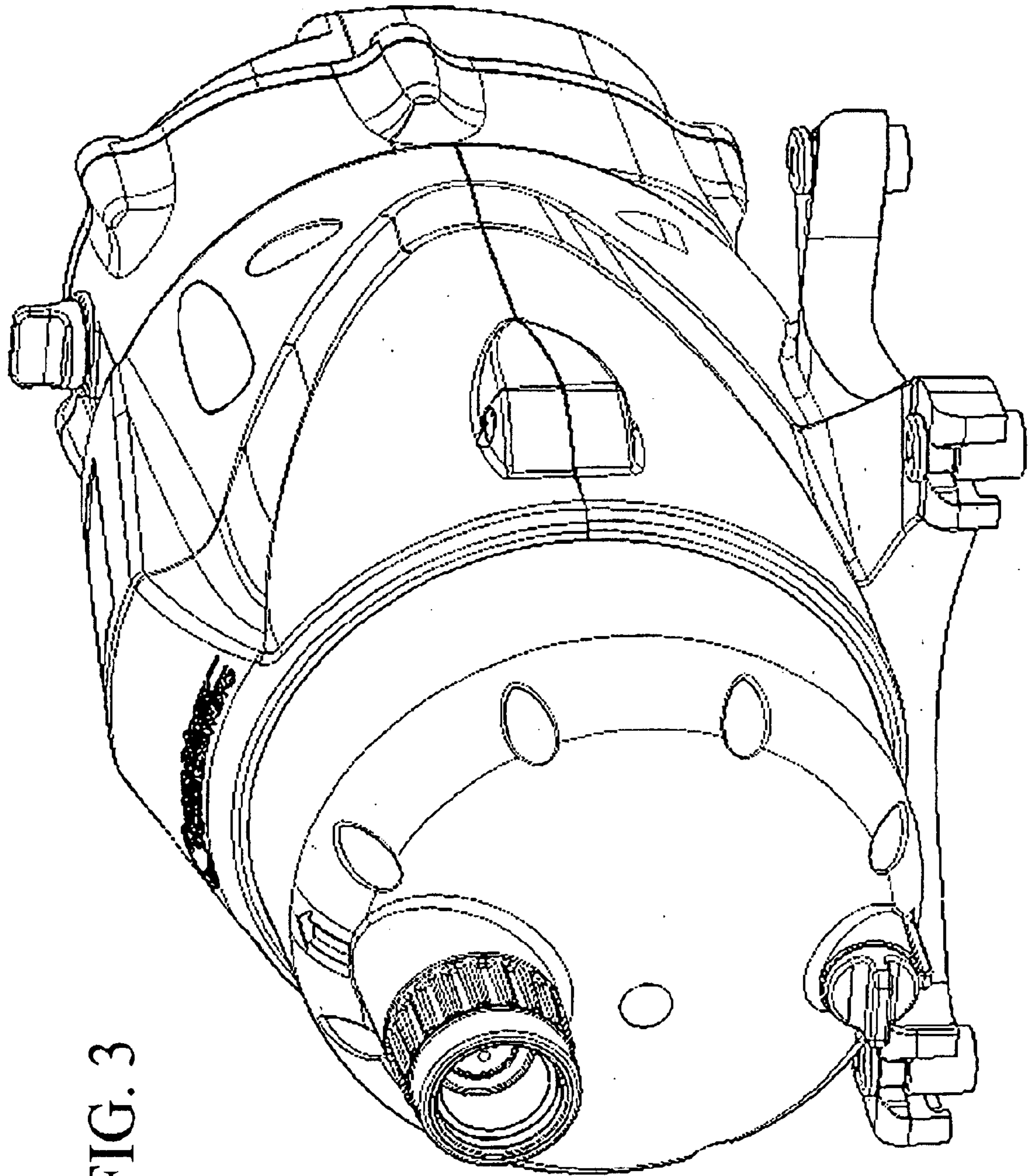


FIG. 3

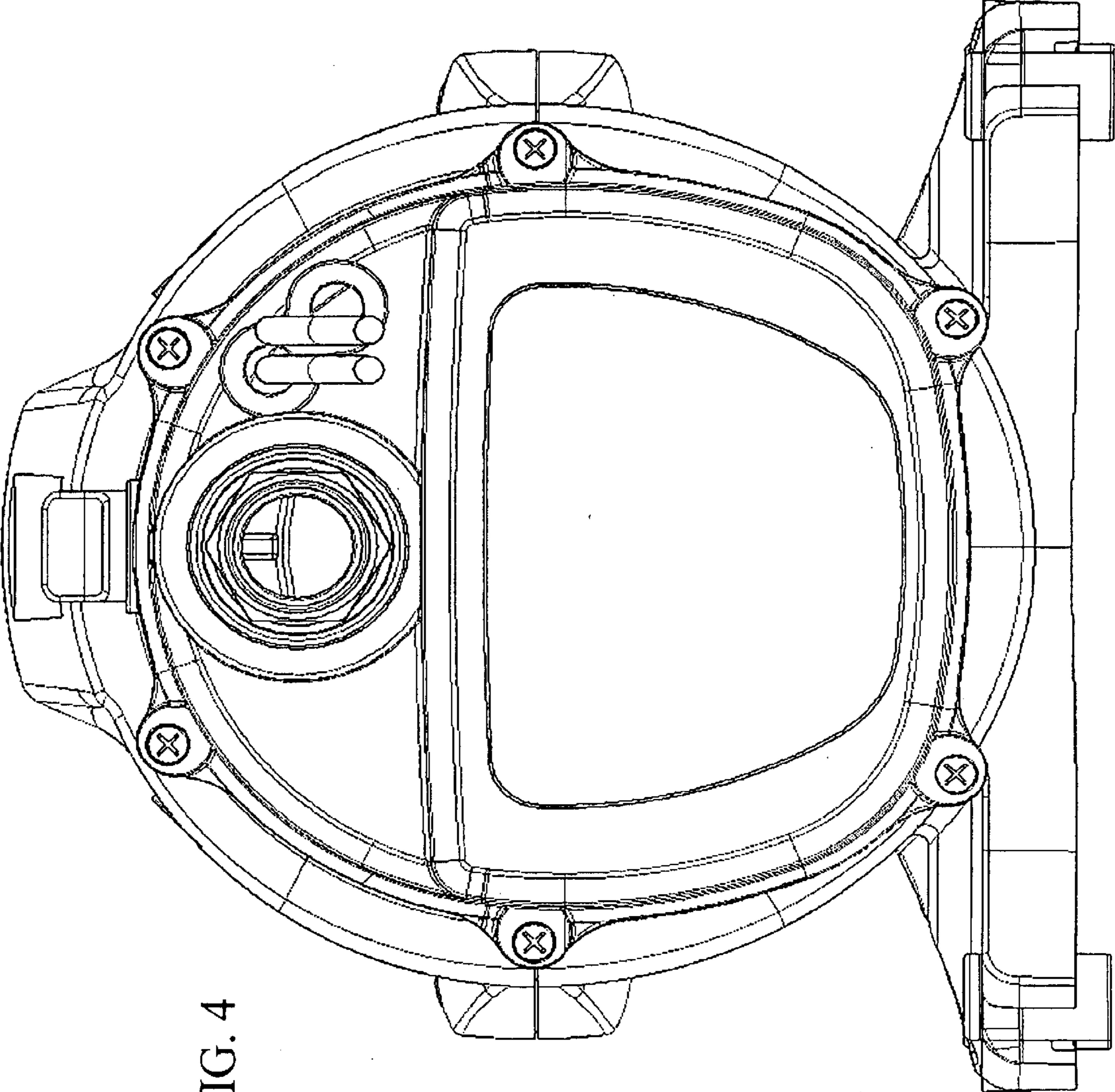


FIG. 4

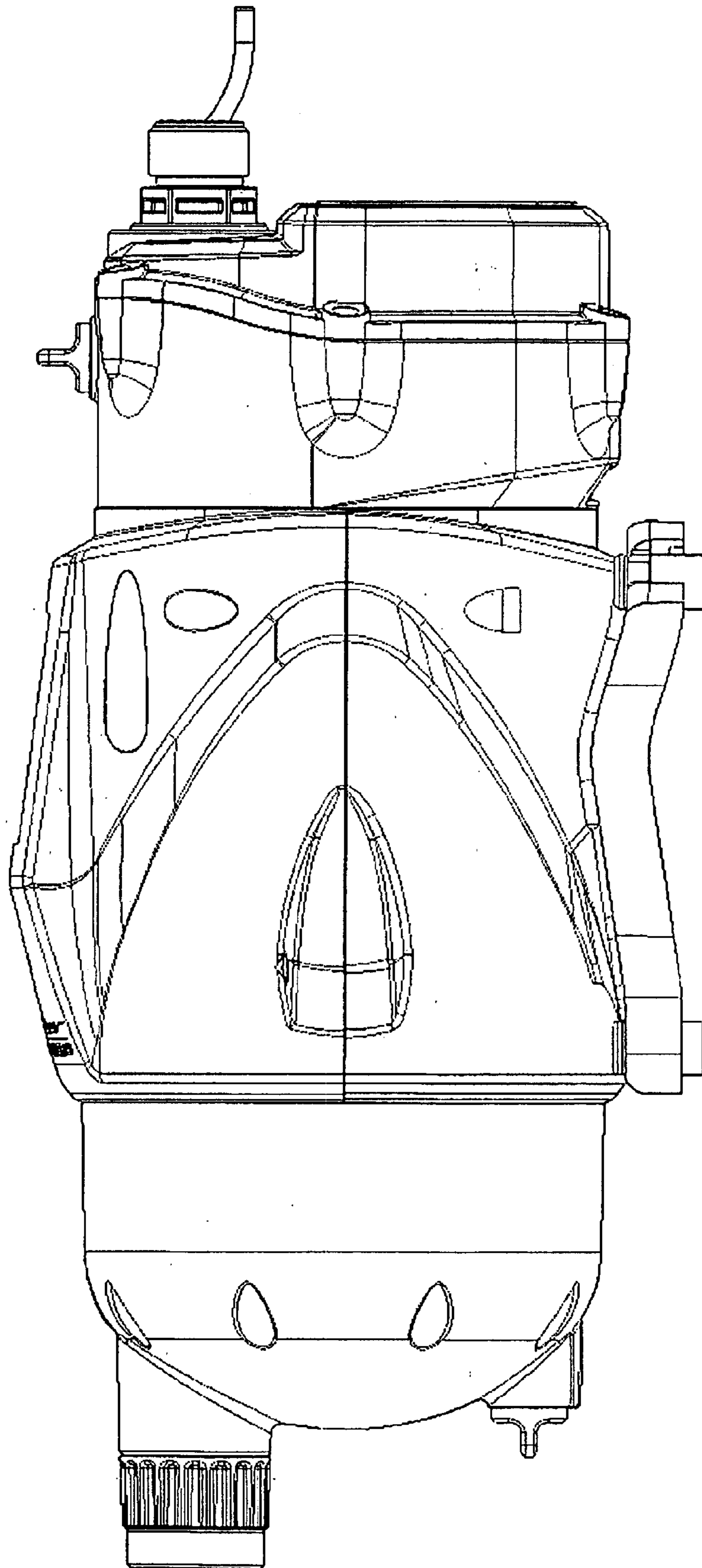


FIG. 5

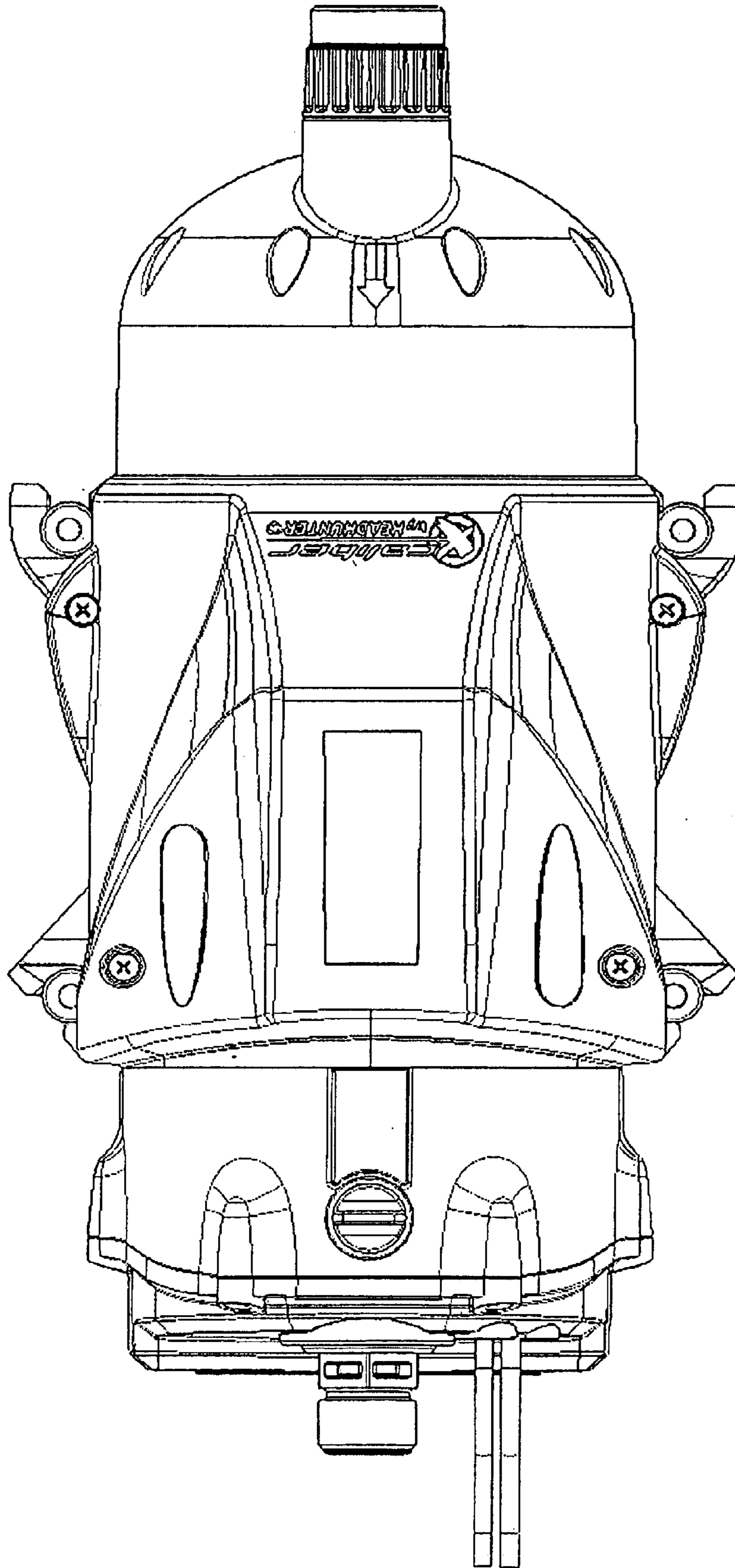


FIG. 6

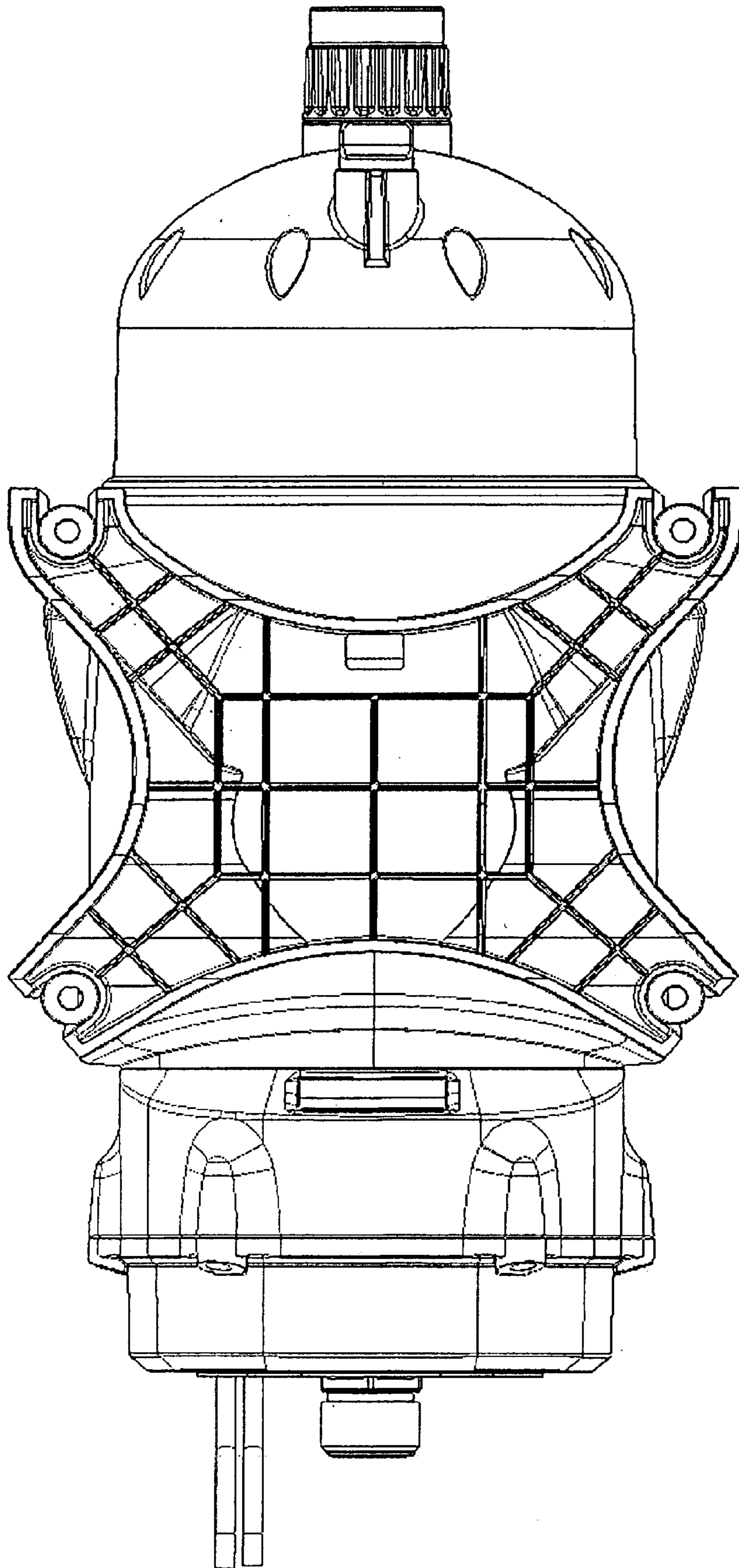


FIG. 7