

US00D501485S

(12) **United States Design Patent**
Lian et al.

(10) **Patent No.:** **US D501,485 S**
(45) **Date of Patent:** **** Feb. 1, 2005**

(54) **MEDIA PLAYER**

(75) Inventors: **Yam Fei Lian**, Singapore (SG); **Fook Chye Yee**, Singapore (SG); **Chiew Foon Celia Wong**, Singapore (SG)

(73) Assignee: **Creative Technology Ltd.**, Singapore (SG)

(**) Term: **14 Years**

(21) Appl. No.: **29/204,475**

(22) Filed: **Apr. 28, 2004**

Related U.S. Application Data

(62) Division of application No. 29/181,635, filed on May 14, 2003, which is a division of application No. 10/100,351, filed on Mar. 18, 2002.

(51) **LOC (7) Cl.** **14-03**

(52) **U.S. Cl.** **D14/496**

(58) **Field of Search** D14/496, 125, D14/137, 159, 160, 474, 433, 435; 273/148 B; 700/94; 710/62, 63, 100; 365/189.05; 348/231.3, 231.4; 463/40-47; 206/308.1, 307, 308.3; 369/2, 24, 25; 370/342-344

(56) **References Cited**

U.S. PATENT DOCUMENTS

4,769,764 A * 9/1988 Levanon 361/680
D340,059 S * 10/1993 Wetzel et al. D14/256
5,282,621 A * 2/1994 Tseng 463/45

5,452,180 A * 9/1995 Register et al. 361/686
5,556,108 A * 9/1996 Nagano et al. 463/45
5,563,400 A * 10/1996 Le Roux 235/486
6,238,291 B1 * 5/2001 Fujimoto et al. 463/44
D470,506 S * 2/2003 Sadatsuki D14/496
D472,245 S * 3/2003 Andre et al. D14/496
6,671,567 B1 * 12/2003 Dwyer et al. 700/94

* cited by examiner

Primary Examiner—Prabhakar Deshmukh

(74) *Attorney, Agent, or Firm*—Francois de Villiers

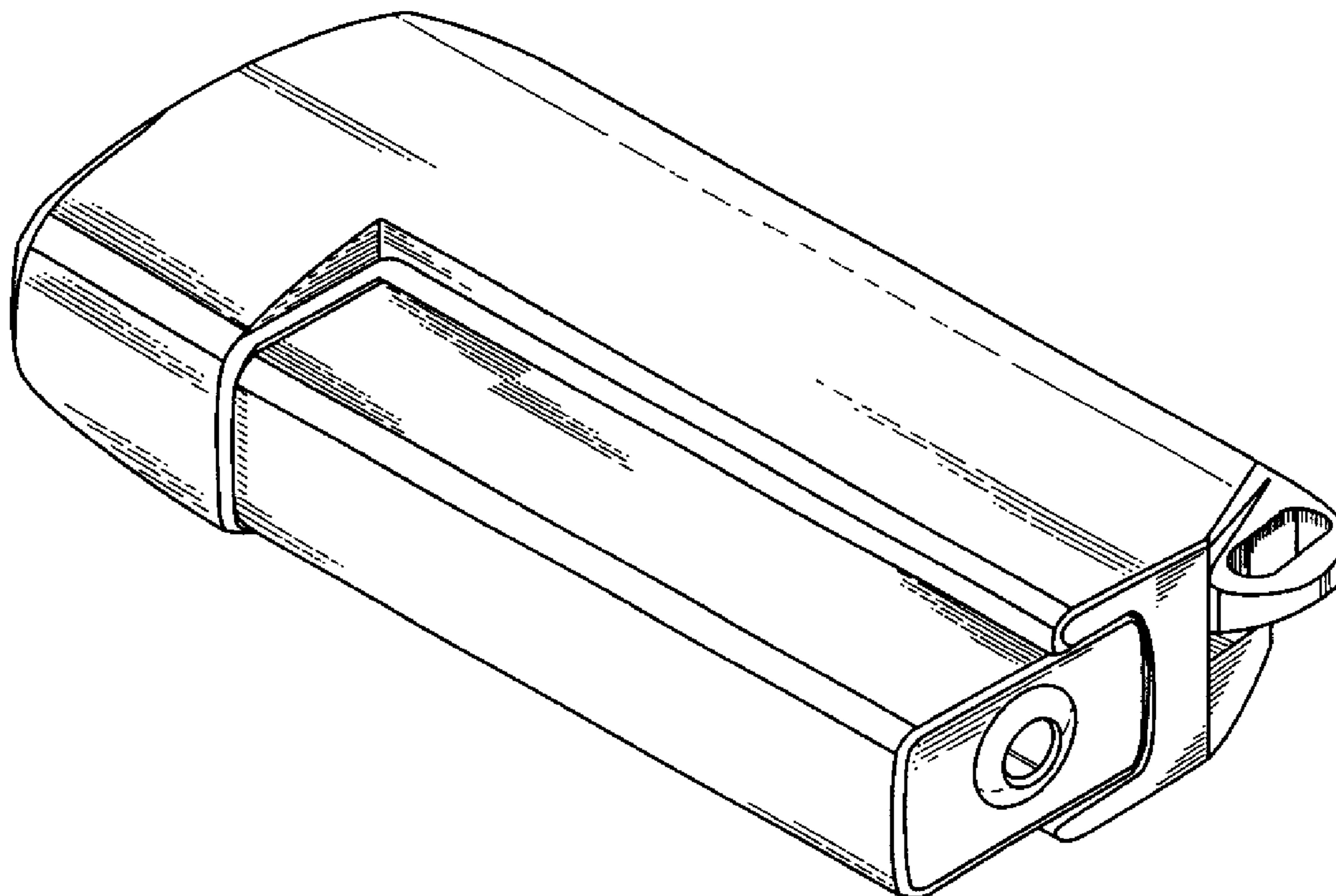
(57) **CLAIM**

The ornamental design for a media player, substantially as shown and described.

DESCRIPTION

FIG. 1 is a perspective view of an embodiment of a media player in accordance with the present design, in assembled configuration;
FIG. 2 is a perspective view of the media player of FIG. 1 in disassembled configuration;
FIG. 3 is a top view of the media player in FIG. 1;
FIG. 4 is a front view of the media player shown in FIG. 1;
FIG. 5 is a back view of the media player shown in FIG. 1;
FIG. 6 is a bottom view of the media player shown in FIG. 1;
FIG. 7 is a left side view of the media player shown in FIG. 1; and,
FIG. 8 is a right side view of the media player shown in FIG. 1.

1 Claim, 4 Drawing Sheets



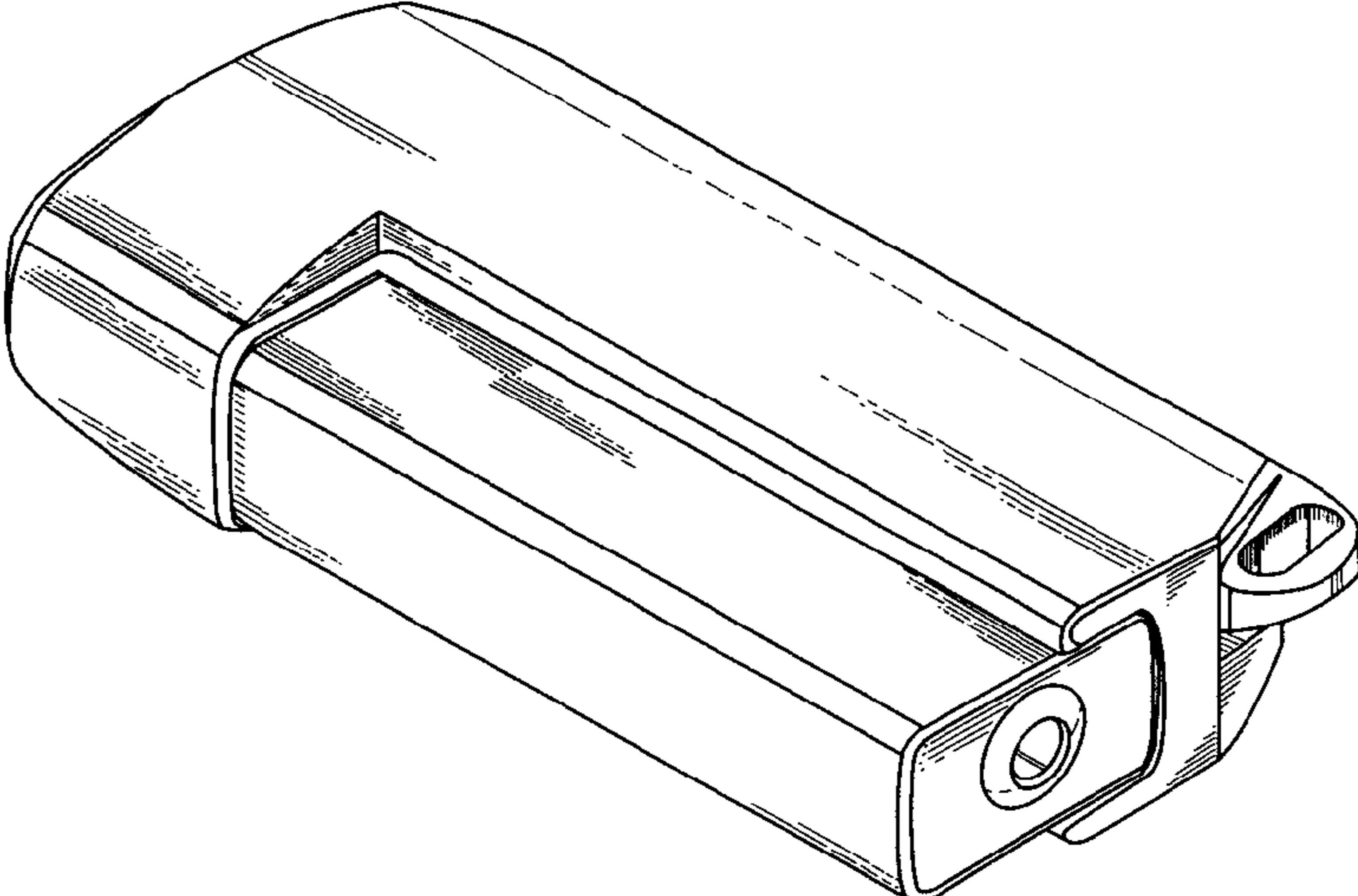


FIG. 1

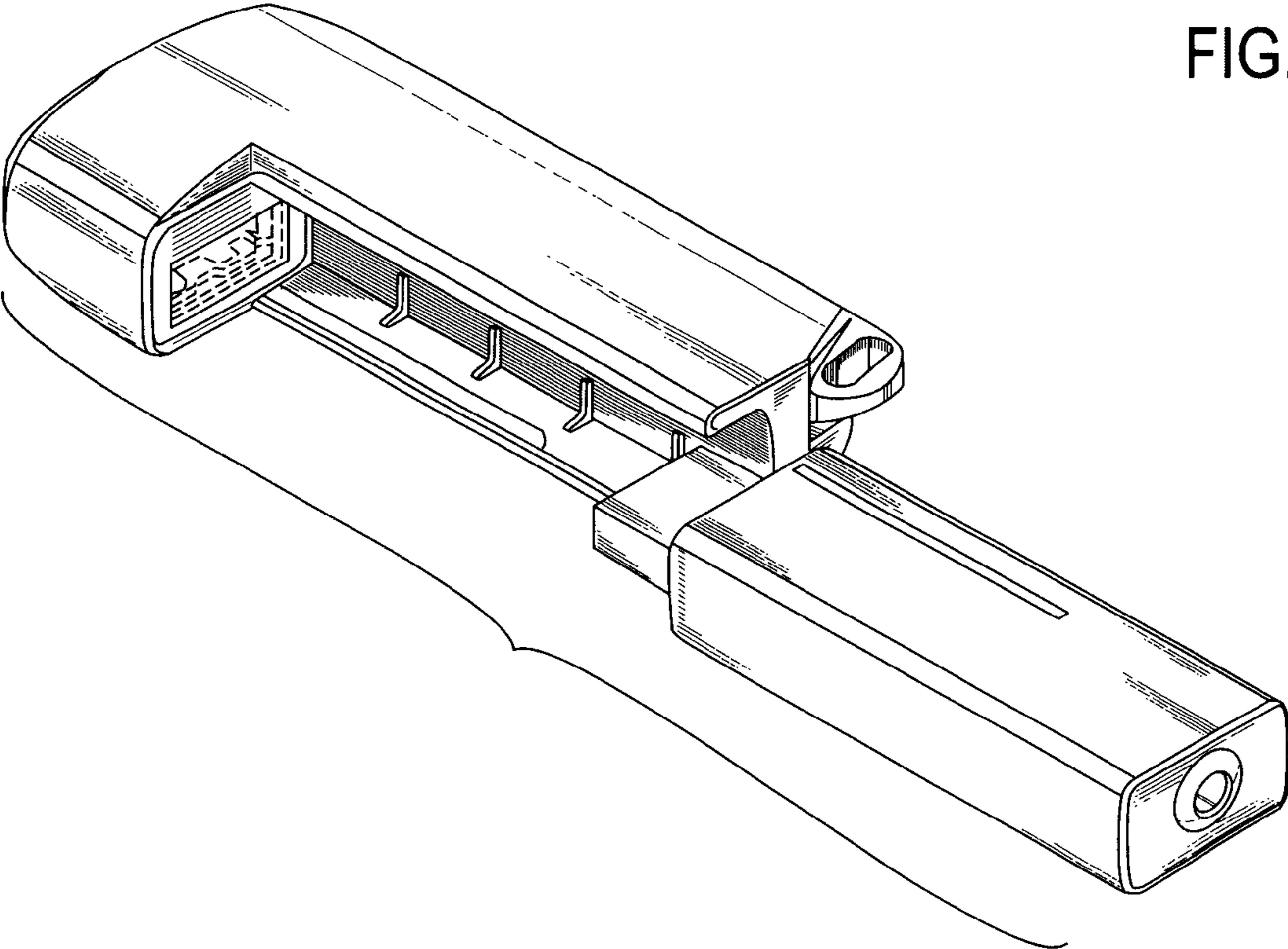


FIG. 2

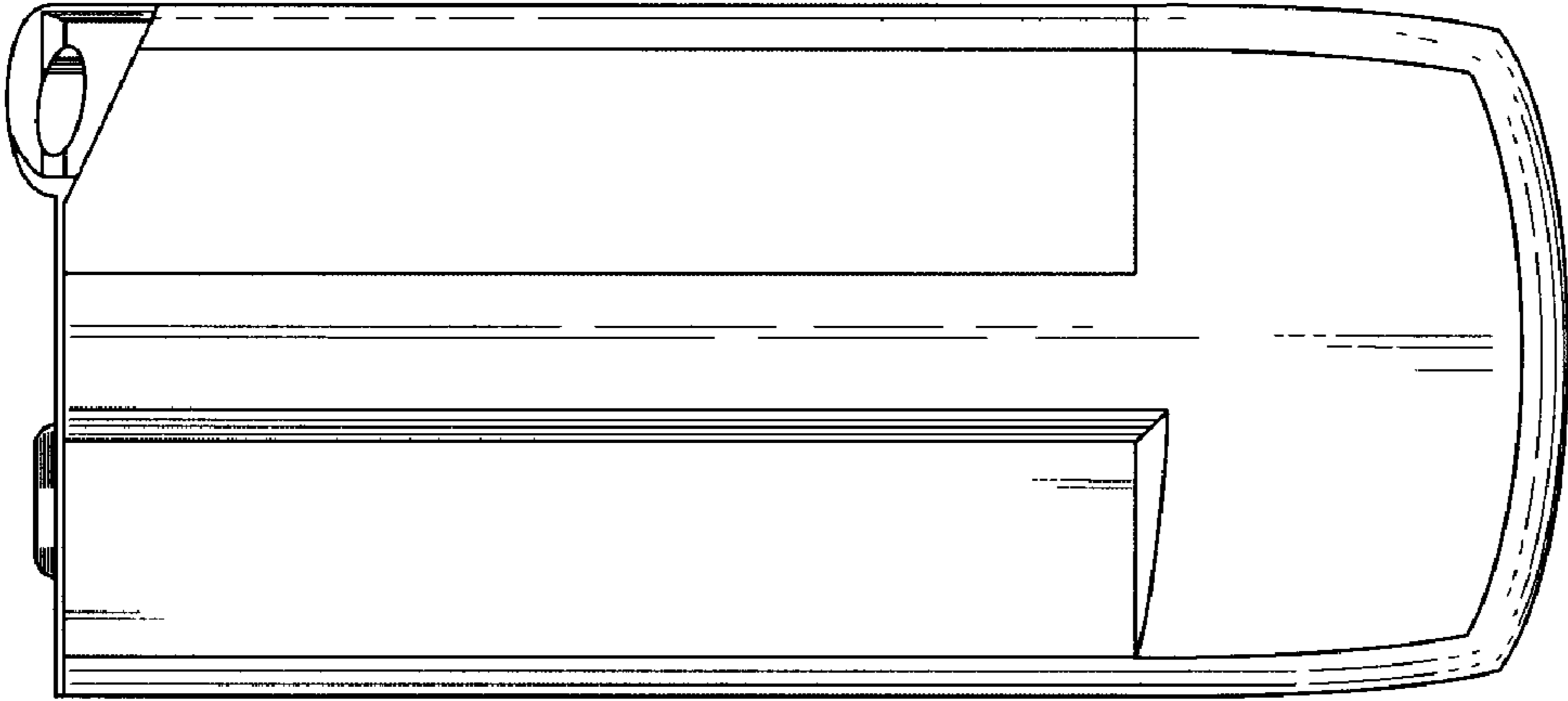


FIG. 3

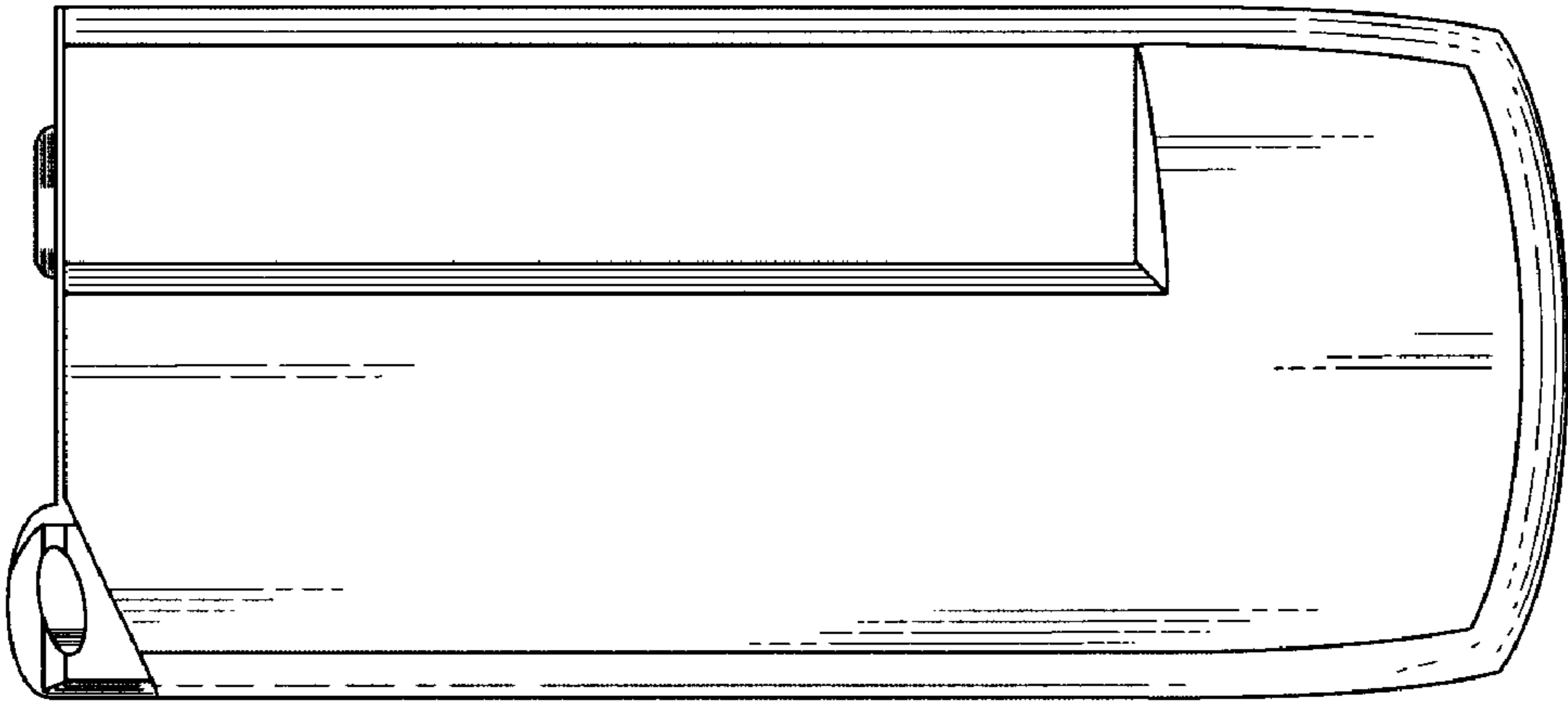


FIG. 4

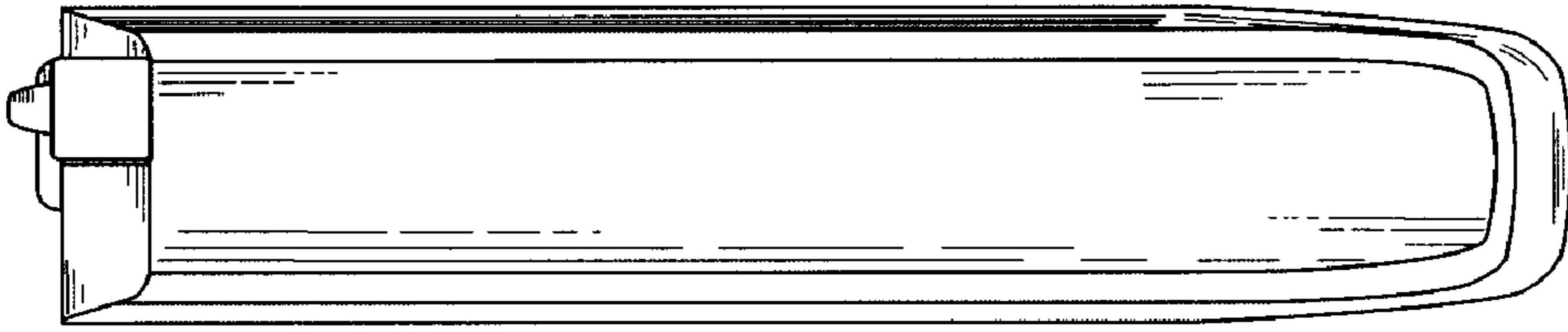


FIG. 5

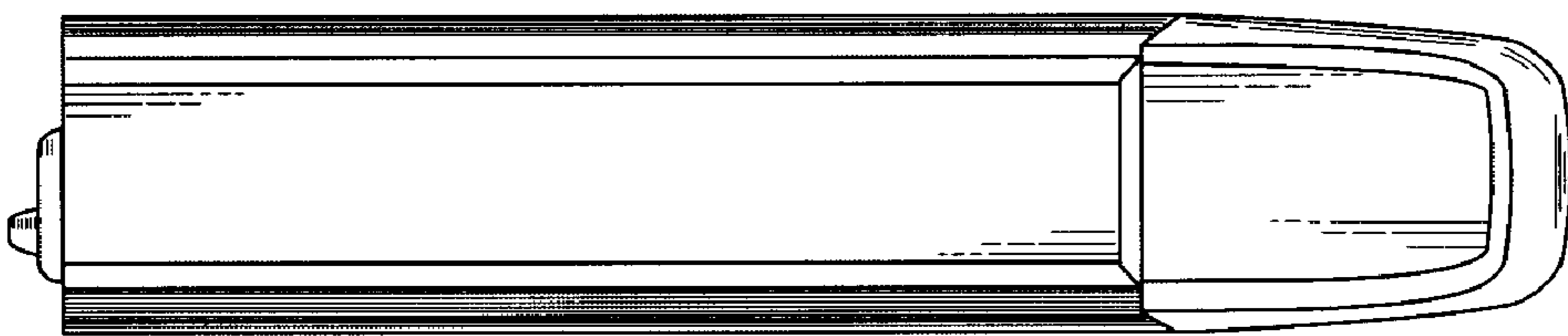


FIG. 6

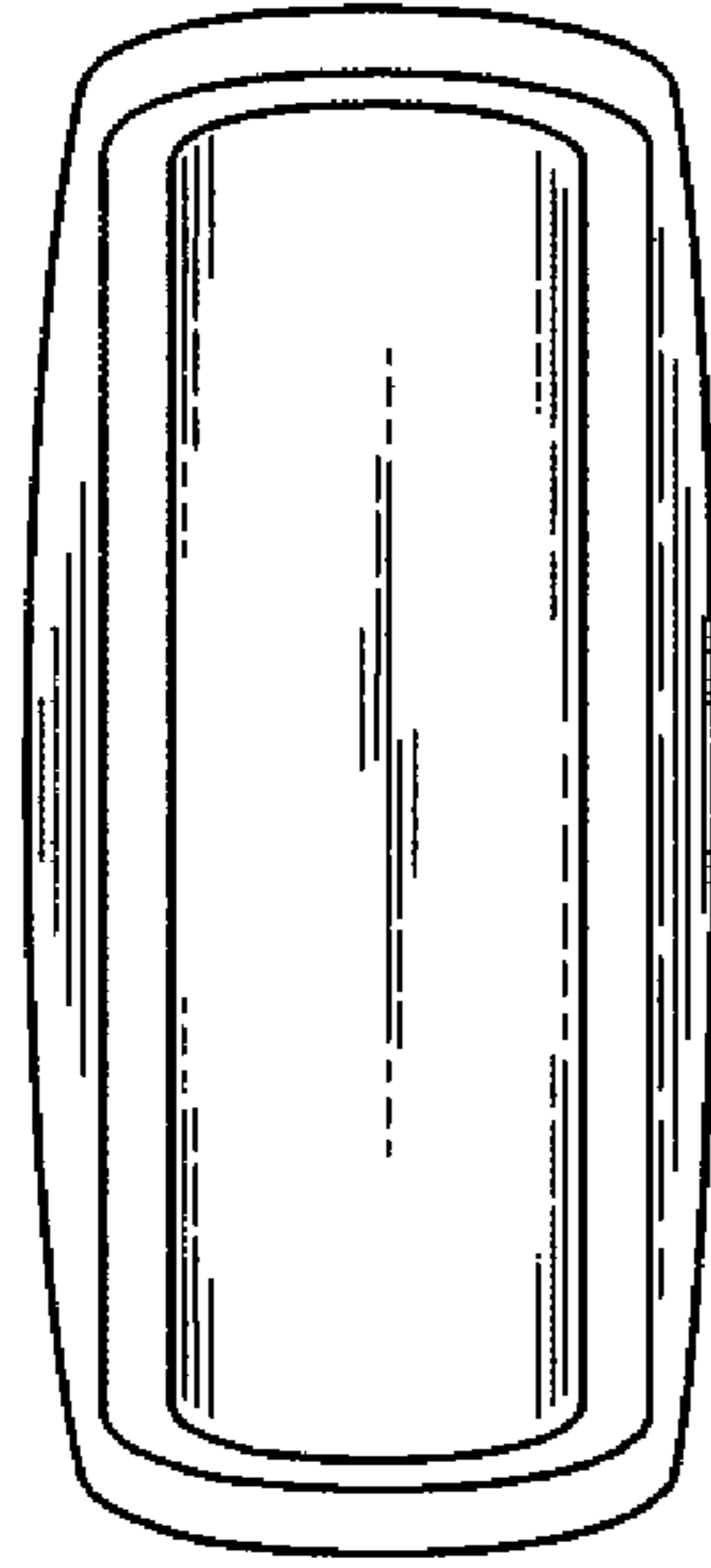


FIG. 7

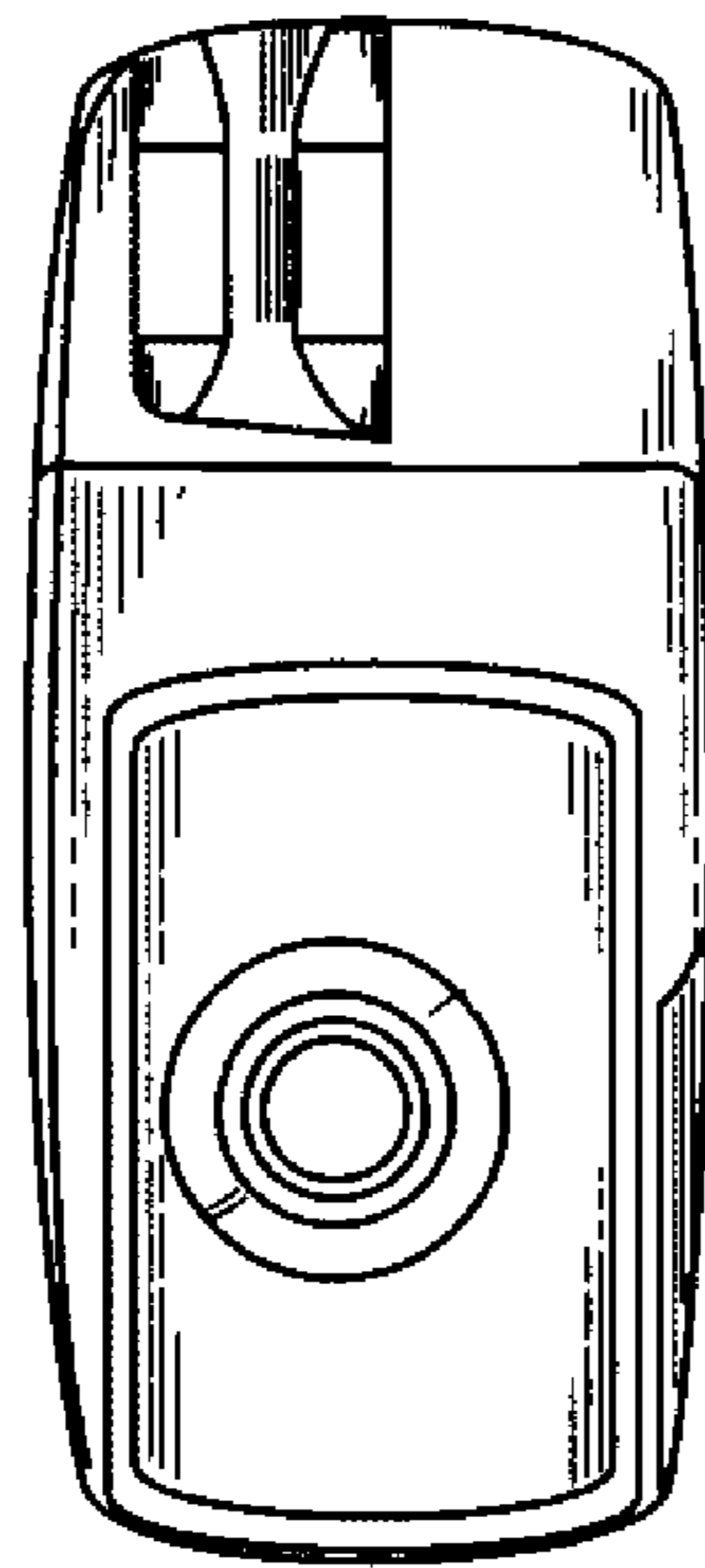


FIG. 8