

US00D501482S

(12) **United States Design Patent** (10) **Patent No.:** **US D501,482 S**
Goto (45) **Date of Patent:** **** Feb. 1, 2005**

(54) **DISK CARTRIDGE**

(75) **Inventor:** **Teiyu Goto, Tokyo (JP)**

(73) **Assignee:** **Sony Computer Entertainment Inc., Tokyo (JP)**

(**) **Term:** **14 Years**

(21) **Appl. No.:** **29/193,461**

(22) **Filed:** **Nov. 12, 2003**

(30) **Foreign Application Priority Data**

May 12, 2003 (JP) 2003-016987

(51) **LOC (7) Cl.** **14-02**

(52) **U.S. Cl.** **D14/478**

(58) **Field of Search** D14/432-3, 435-6, D14/474, 478-80; 360/60, 129, 131-3, 135, 97.01-99.12; 206/307-8, 312, 472; 369/272-3, 291, 77.2

(56) **References Cited**

U.S. PATENT DOCUMENTS

- D405,438 S * 2/1999 Nowell et al. D14/478
- D406,831 S 3/1999 Takahashi et al.
- D408,808 S * 4/1999 Nowell et al. D14/478
- D412,165 S 7/1999 Niitsu
- D430,575 S * 9/2000 Sumner et al. D14/478
- D451,099 S * 11/2001 Lee D14/435
- D473,874 S * 4/2003 Taniguchi et al. D14/435
- D474,184 S * 5/2003 Taniguchi et al. D14/435

- D474,777 S 5/2003 Niitsu
- D475,059 S * 5/2003 Niitsu D14/478
- 2002/0012316 A1 * 1/2002 Inoue et al. 369/291

FOREIGN PATENT DOCUMENTS

JP D915629 12/1994

OTHER PUBLICATIONS

Webpage, "BD-RE120N," <http://www.tdk.co.jp/tjaah01/aah39900.htm>, 4sheets, TDK (Feb. 20, 2004).

Webpage, "BDZ-S77," http://www.biccamera.com/bicbic/jsp/w/visual/sony/bdz_s77/index.jsp, 4sheets, Biccamera (Feb. 20, 2004).

* cited by examiner

Primary Examiner—M. H. Tung

(74) *Attorney, Agent, or Firm*—Rader, Fishman & Grauer PLLC

(57) **CLAIM**

The ornamental design for a disk cartridge, as shown.

DESCRIPTION

FIG. 1 is a front elevational view of a disk cartridge showing my new design;

FIG. 2 is a rear elevational view thereof;

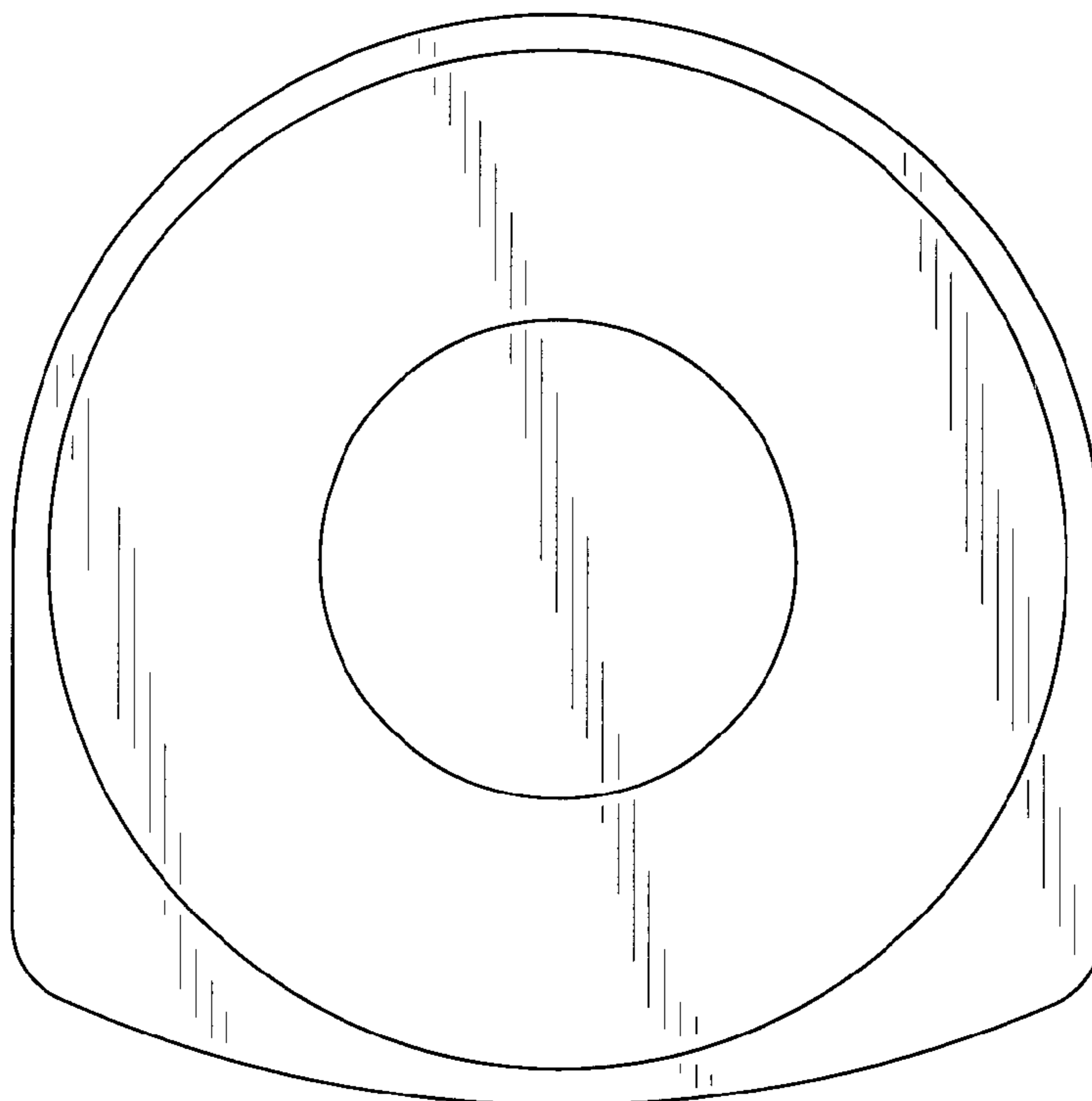
FIG. 3 is a left side elevational view thereof;

FIG. 4 is a right side elevational view thereof;

FIG. 5 is a top plan view thereof; and,

FIG. 6 is a bottom plan view thereof.

1 Claim, 3 Drawing Sheets



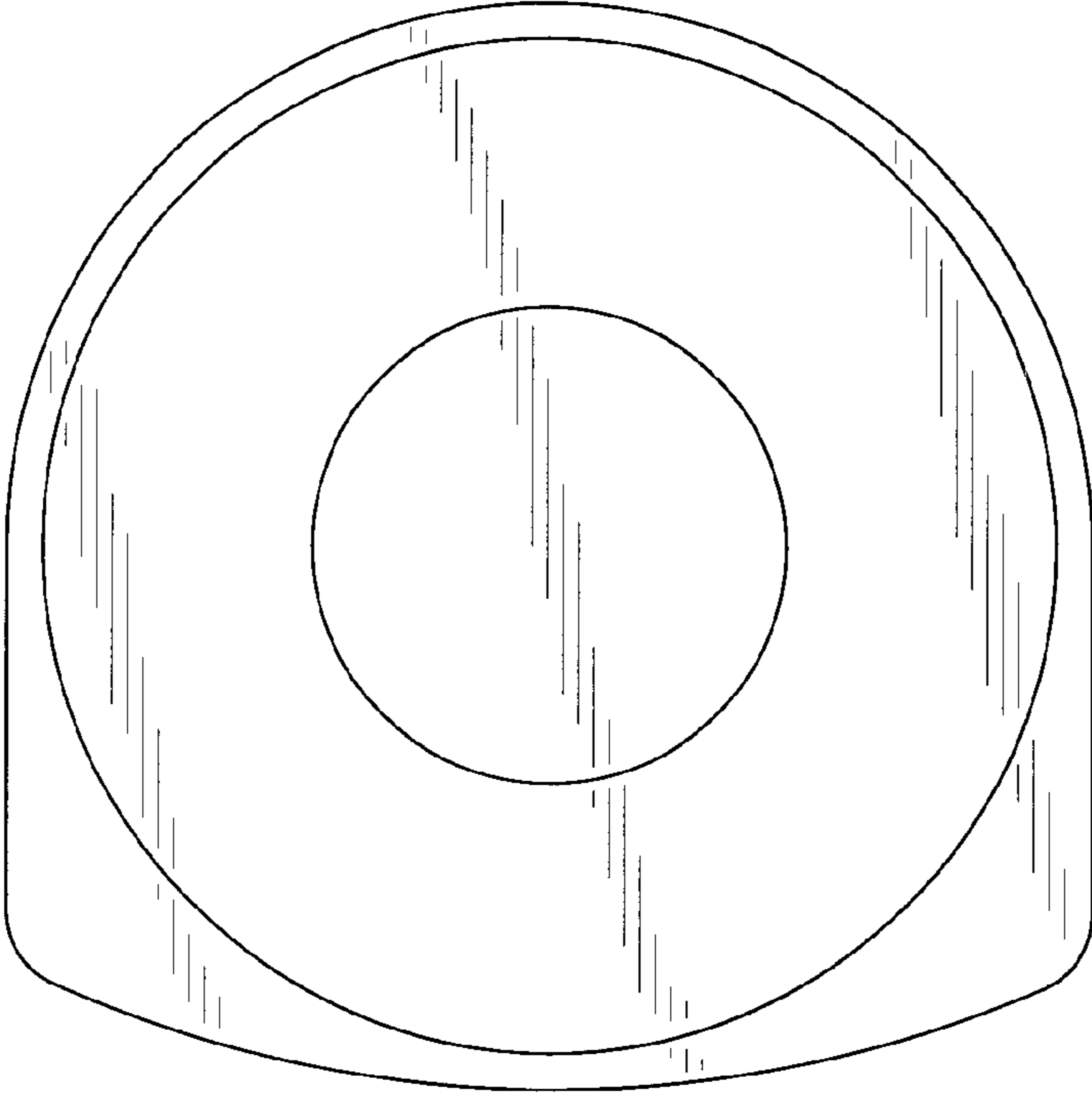


FIG. 1

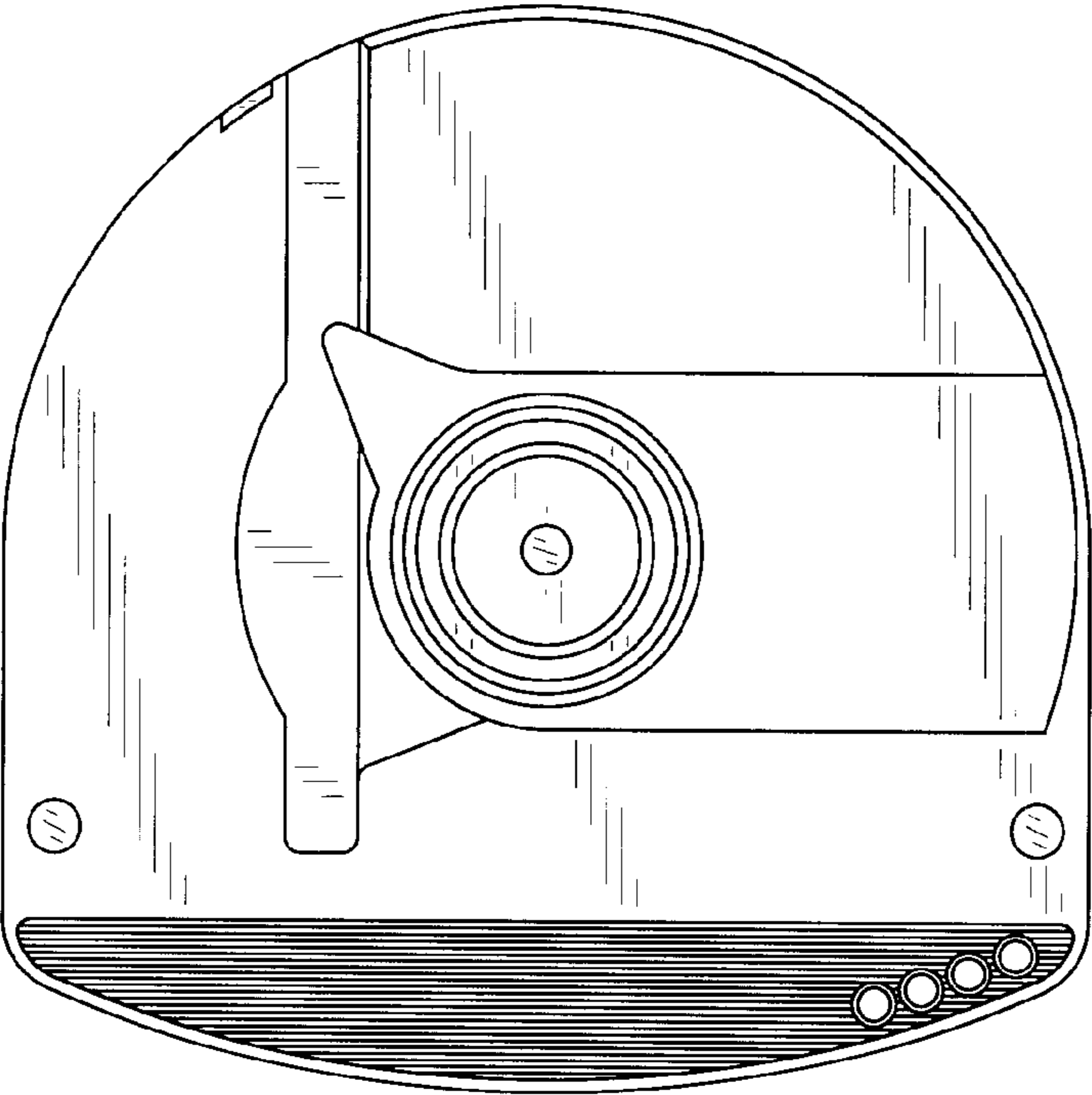


FIG. 2



FIG. 3

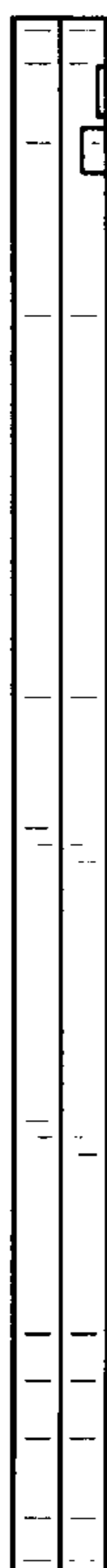


FIG. 4

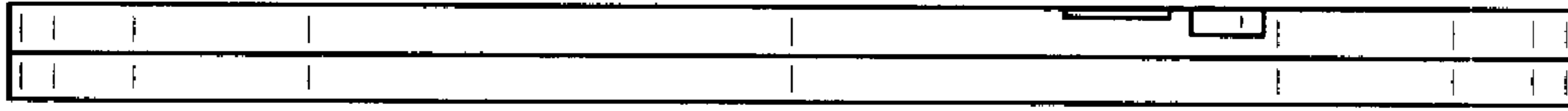


FIG. 5

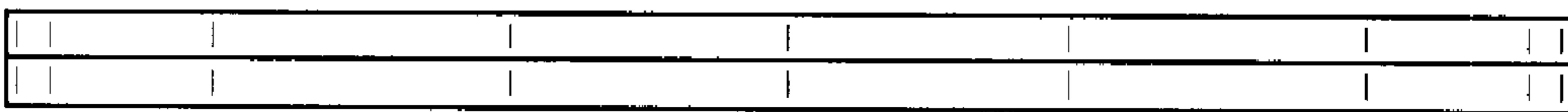


FIG. 6