

US00D501481S

(12) **United States Design Patent**
Zhang et al.

(10) **Patent No.:** **US D501,481 S**
(45) **Date of Patent:** **** Feb. 1, 2005**

(54) **COMPUTER FRONT BEZEL**

D459,357 S * 6/2002 Lo D14/444

(75) Inventors: **Ding-Ding Zhang**, Shenzhen (CN);
Chun Chi Liang, Tu-chen (TW);
Yun-Dong Xu, Shenzhen (CN); **Tao Su**, Shenzhen (CN)

* cited by examiner

Primary Examiner—Freda S. Nunn
(74) *Attorney, Agent, or Firm*—Wei Te Chung

(73) Assignee: **Hon Hai Precision Ind. Co., Ltd.**,
Taipei Hsien (TW)

(57) **CLAIM**

The ornamental design for a computer front bezel, as shown and described.

(**) Term: **14 Years**

DESCRIPTION

(21) Appl. No.: **29/199,897**

FIG. 1 is a perspective view of a computer front bezel of our new design;

(22) Filed: **Feb. 20, 2004**

FIG. 2 is a front elevational view thereof;

(30) **Foreign Application Priority Data**

Nov. 21, 2003 (CN) 200330117595

FIG. 3 is a rear elevational view thereof;

(51) **LOC (7) Cl.** **14-02**

(52) **U.S. Cl.** **D14/441**

FIG. 4 is a left side elevational view thereof;

(58) **Field of Search** D14/441-446;
D13/162, 184, 199; 312/223.2; 361/680-686,
690-696

FIG. 5 is a right side elevational view thereof;

FIG. 6 is a top plan view thereof;

FIG. 7 is a bottom plan view thereof; and,

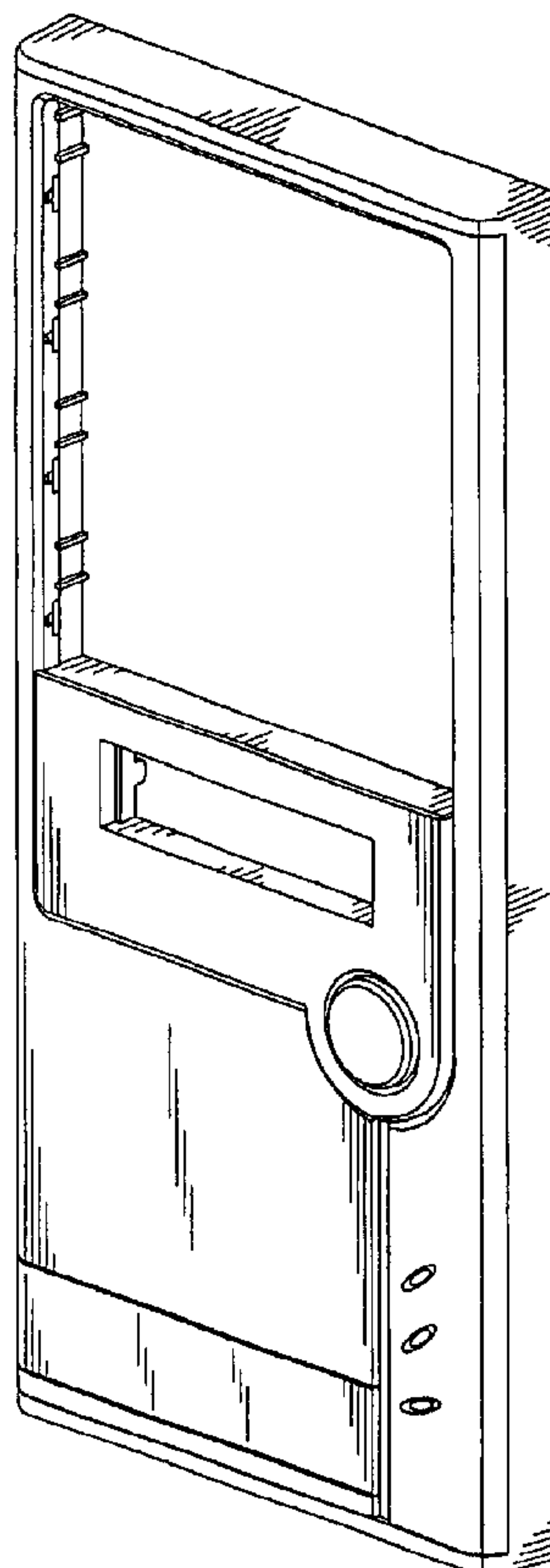
FIG. 8 is a perspective view thereof being mounted to a computer case and having a plurality of front covers attached thereto, wherein the computer case and the front covers are shown in broken lines for illustrative purposes only and form no part of the claimed design.

(56) **References Cited**

U.S. PATENT DOCUMENTS

6,000,769 A * 12/1999 Chen 312/223.2

1 Claim, 6 Drawing Sheets



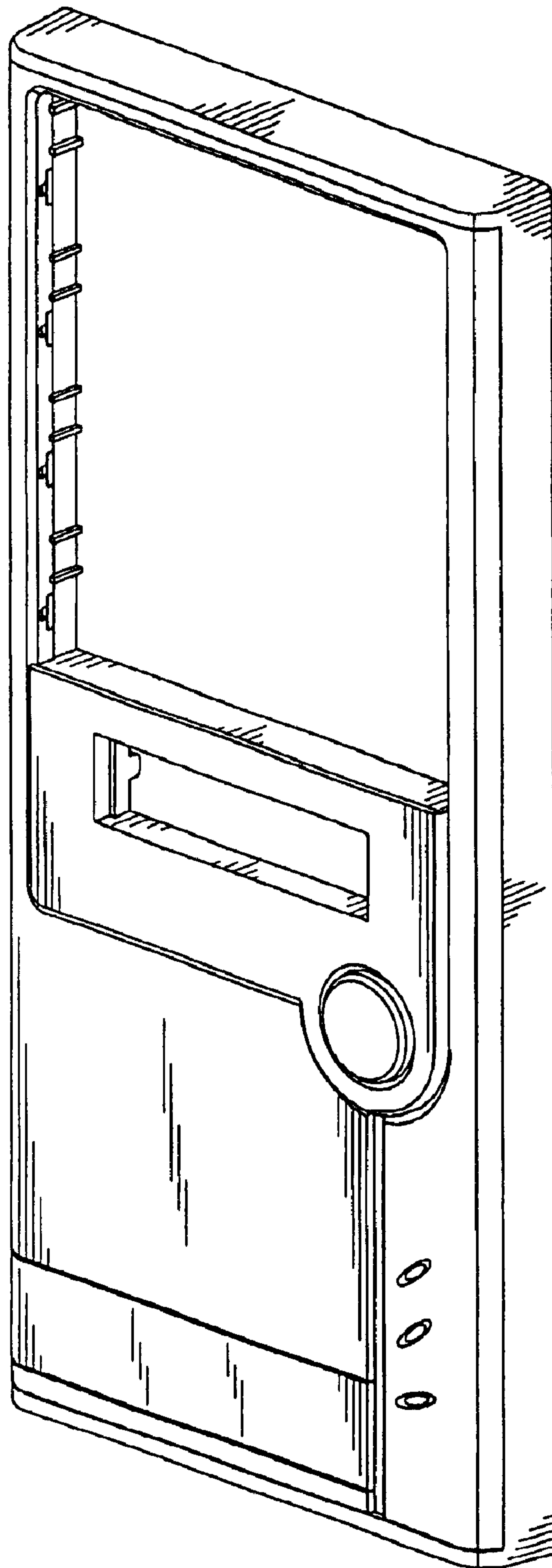


FIG. 1

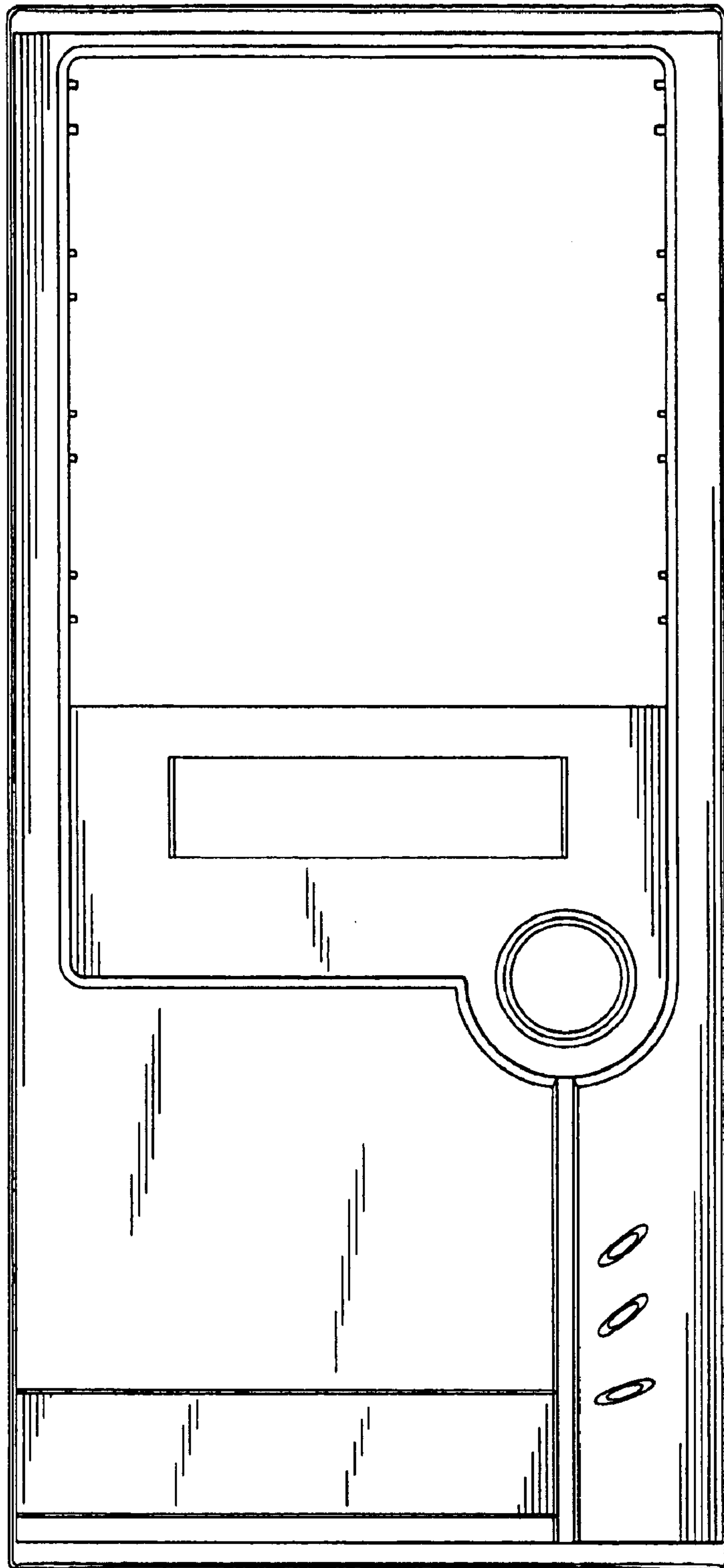


FIG. 2

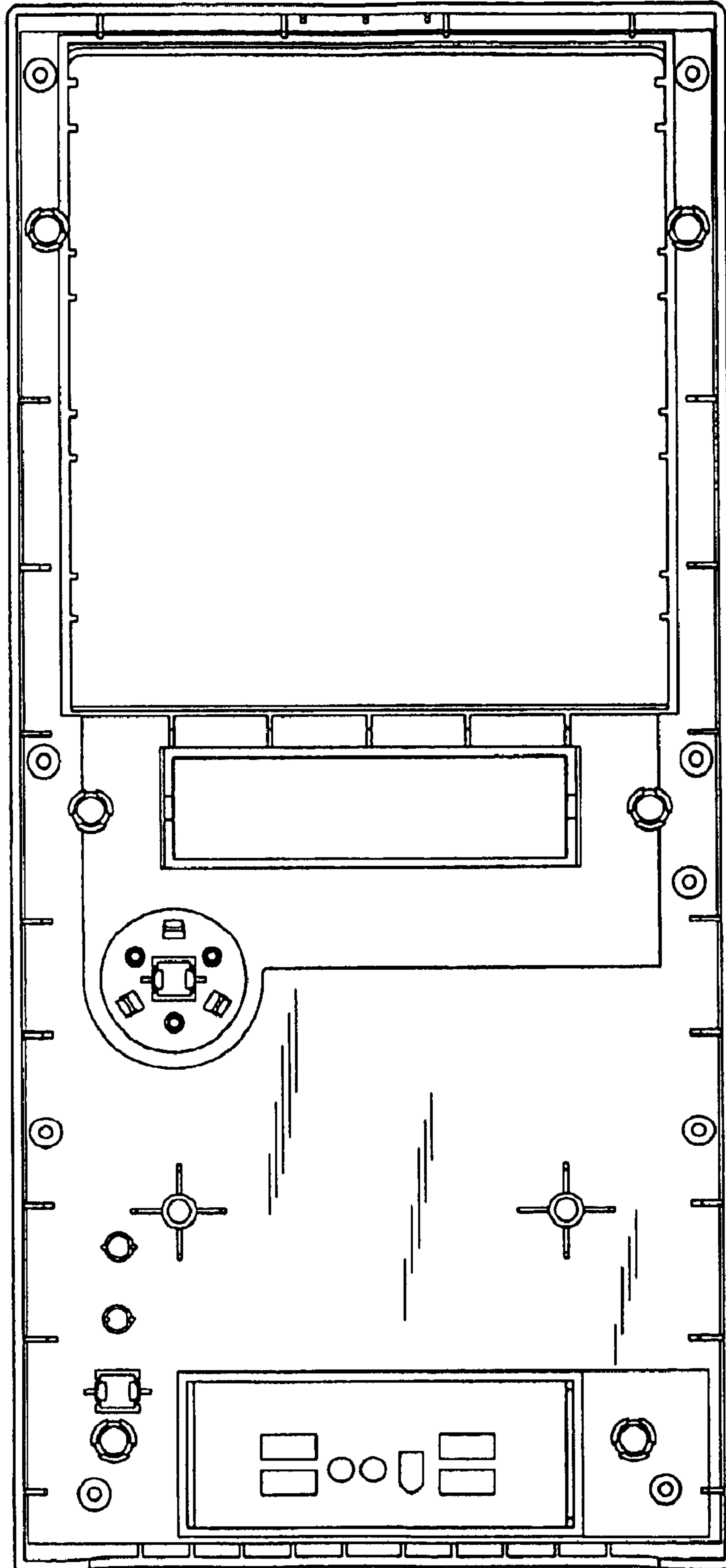


FIG. 3

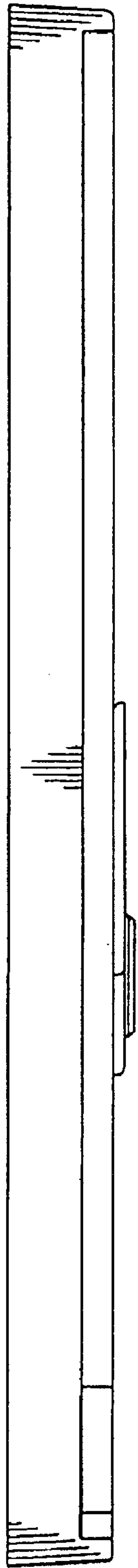


FIG. 4

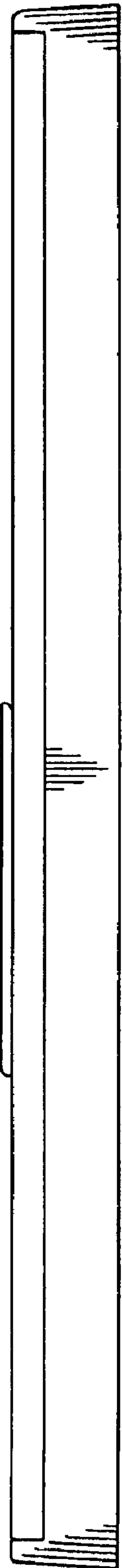


FIG. 5

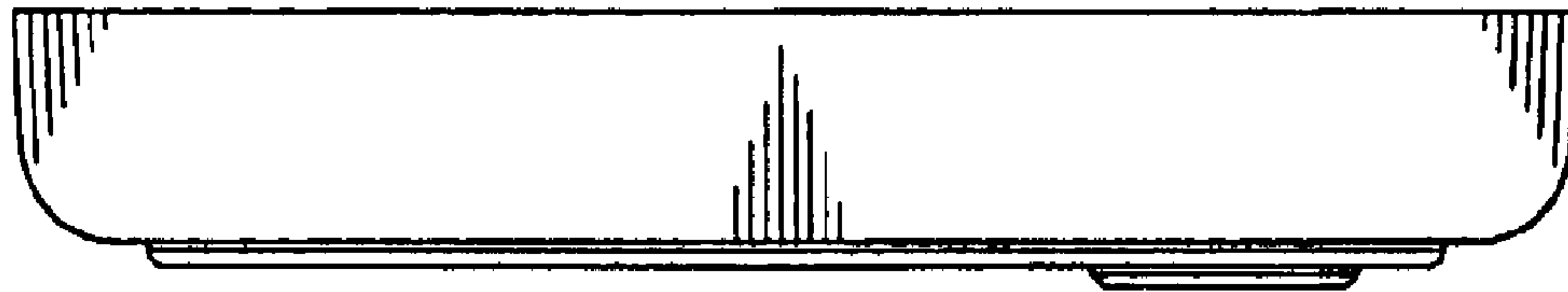


FIG. 6

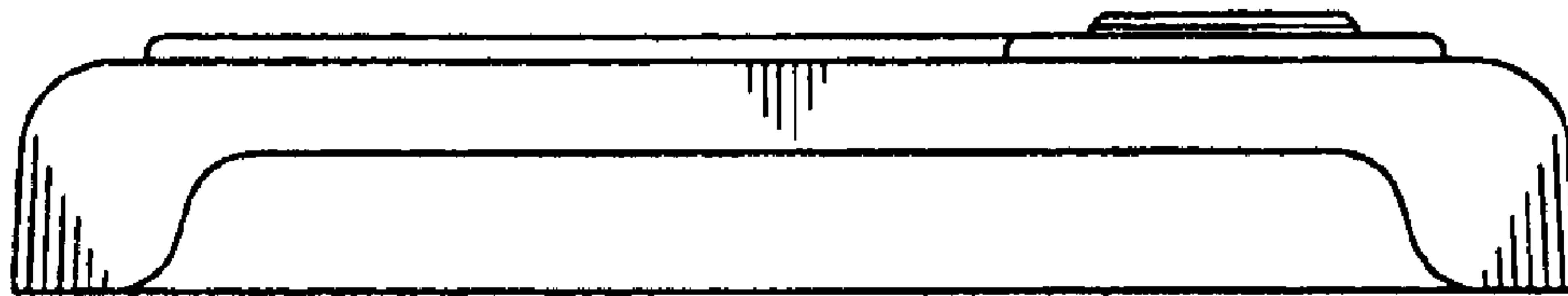


FIG. 7

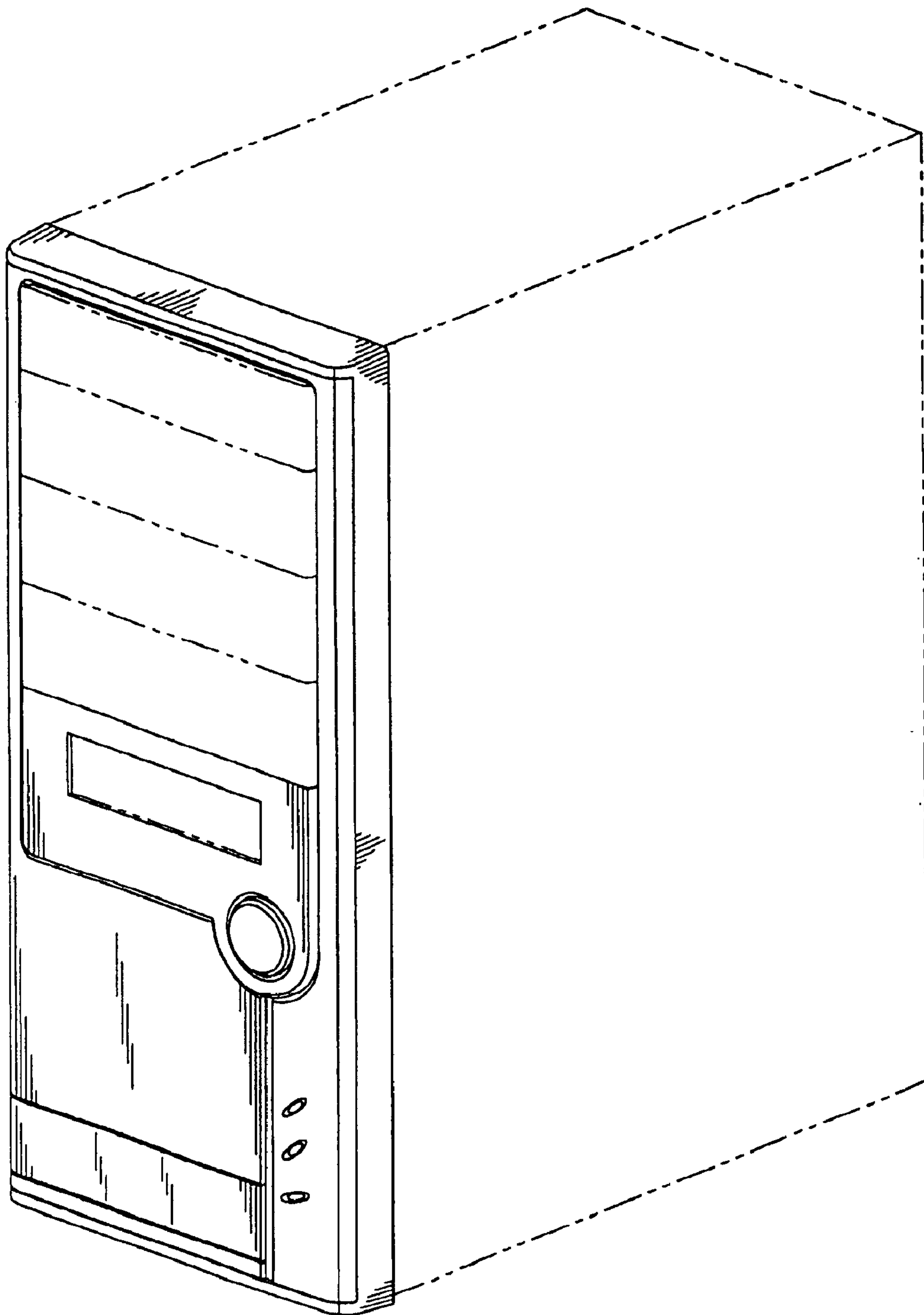


FIG. 8