

US00D501479S

(12) **United States Design Patent**
Bang et al.

(10) **Patent No.: US D501,479 S**
(45) **Date of Patent: ** Feb. 1, 2005**

(54) **COMPACT DISK**

(75) Inventors: **Yong-seok Bang**, Seoul (KR);
Seong-kyoon Bae, Yongin (KR);
Young-ju Yeo, Seoul (KR); **Ji-hyun**
You, Seongname (KR)

(73) Assignee: **Samsung Electronics Co., Ltd.** (KR)

(**) Term: **14 Years**

(21) Appl. No.: **29/193,910**

(22) Filed: **Nov. 17, 2003**

(51) **LOC (7) Cl.** **14-02**

(52) **U.S. Cl.** **D14/435; D14/480**

(58) **Field of Search** D14/432, 435,
D14/478-480; D21/332, 333; 360/132,
133, 60, 129, 97.01-99.12; 206/307, 312,
308.1, 308.2, 308.3; 463/44, 47, 29; 369/291,
273, 77.2

(56) **References Cited**

U.S. PATENT DOCUMENTS

- D231,470 S * 4/1974 Klepa et al. D14/479
- 5,671,109 A * 9/1997 Sumner et al. 360/133
- D412,165 S * 7/1999 Niitsu D14/435
- 6,205,116 B1 * 3/2001 Hashimoto 720/741
- 6,217,907 B1 * 4/2001 Hunter et al. 424/489
- 6,274,844 B1 * 8/2001 Beuch et al. 219/121.64
- 6,298,034 B1 * 10/2001 Hashimoto 720/740
- D450,053 S * 11/2001 Bush et al. D14/435

- D451,099 S * 11/2001 Lee D14/435
- D474,184 S * 5/2003 Taniguchi et al. D14/435
- D475,059 S * 5/2003 Niitsu D14/478
- 6,590,858 B2 * 7/2003 Inoue 720/742

* cited by examiner

Primary Examiner—Prabhakar Deshmukh

(74) *Attorney, Agent, or Firm*—Irving Keschner

(57) **CLAIM**

The ornamental design for compact disk, as shown.

DESCRIPTION

FIG. 1 is a perspective view of the ornamental design of the present invention;

FIG. 2 is a front elevational view of the ornamental design of the present invention;

FIG. 3 is a rear elevational view of the ornamental design of the present invention;

FIG. 4 is a left side elevational view of the ornamental design of the present invention;

FIG. 5 is a right side elevational view of the ornamental design of the present invention;

FIG. 6 is a top plan view of the ornamental design of the present invention;

FIG. 7 is a bottom view of the ornamental design of the present invention; and,

FIG. 8 is a perspective view of the ornamental design of the present invention with the disk in the open position.

1 Claim, 4 Drawing Sheets

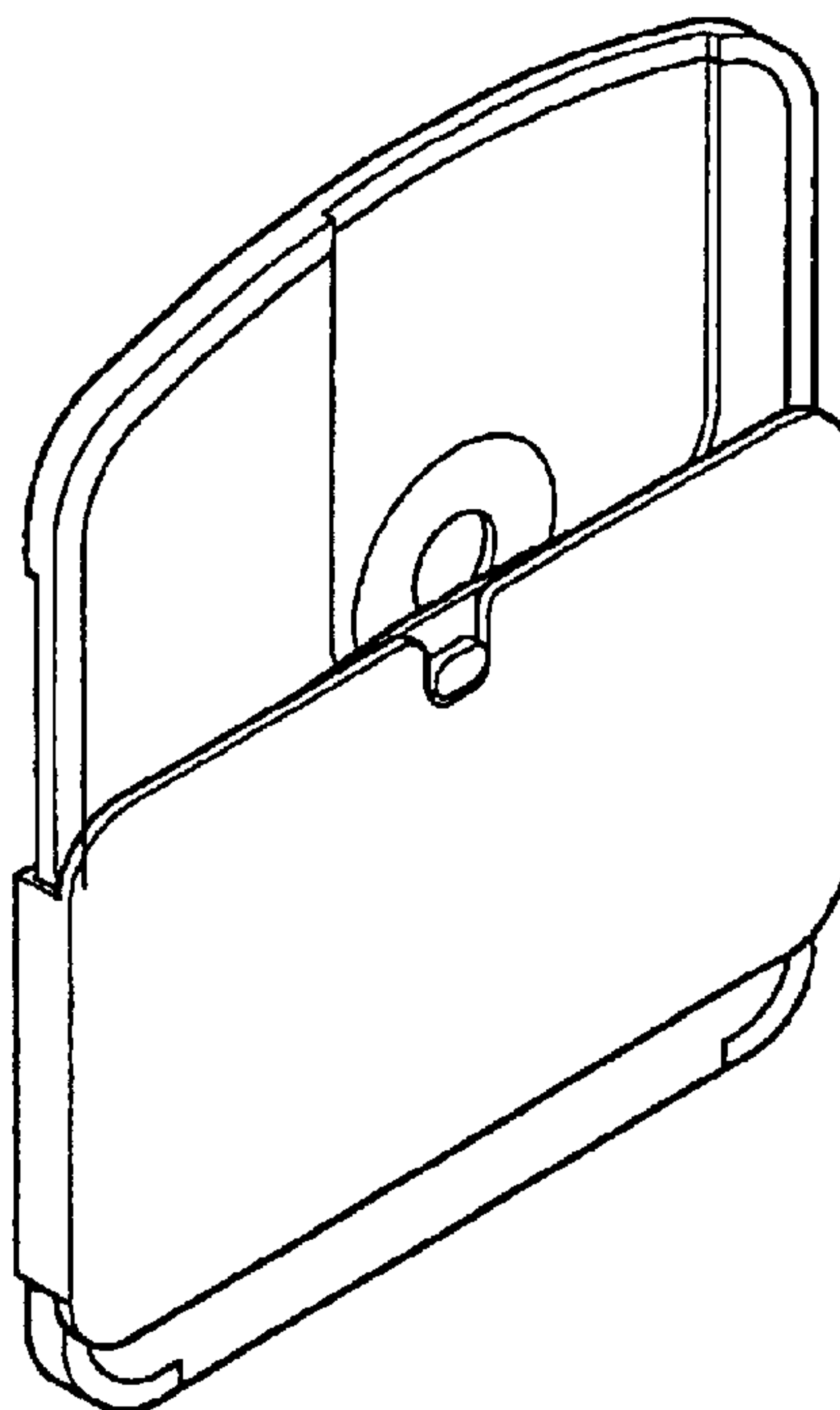


FIG. 1

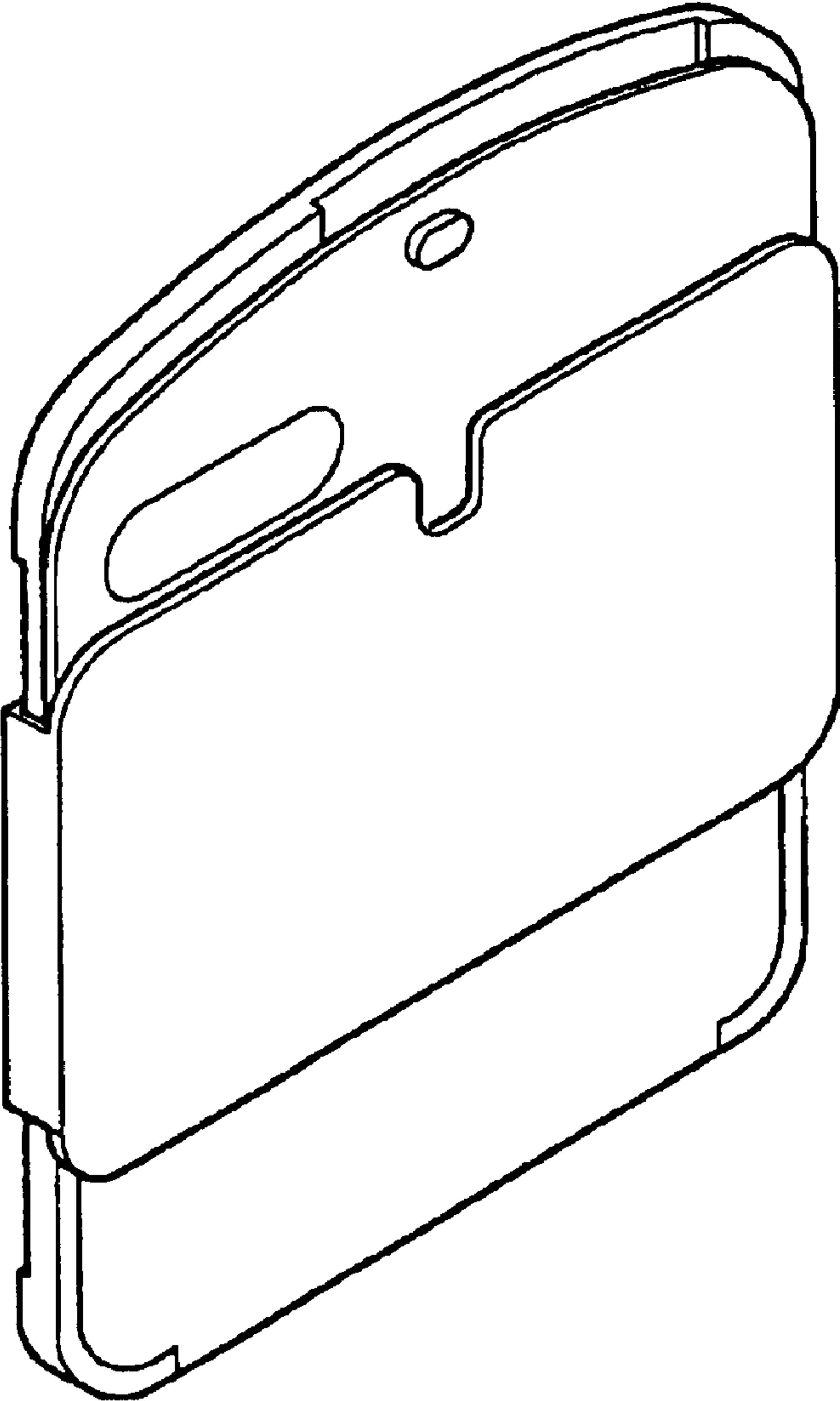


FIG. 2

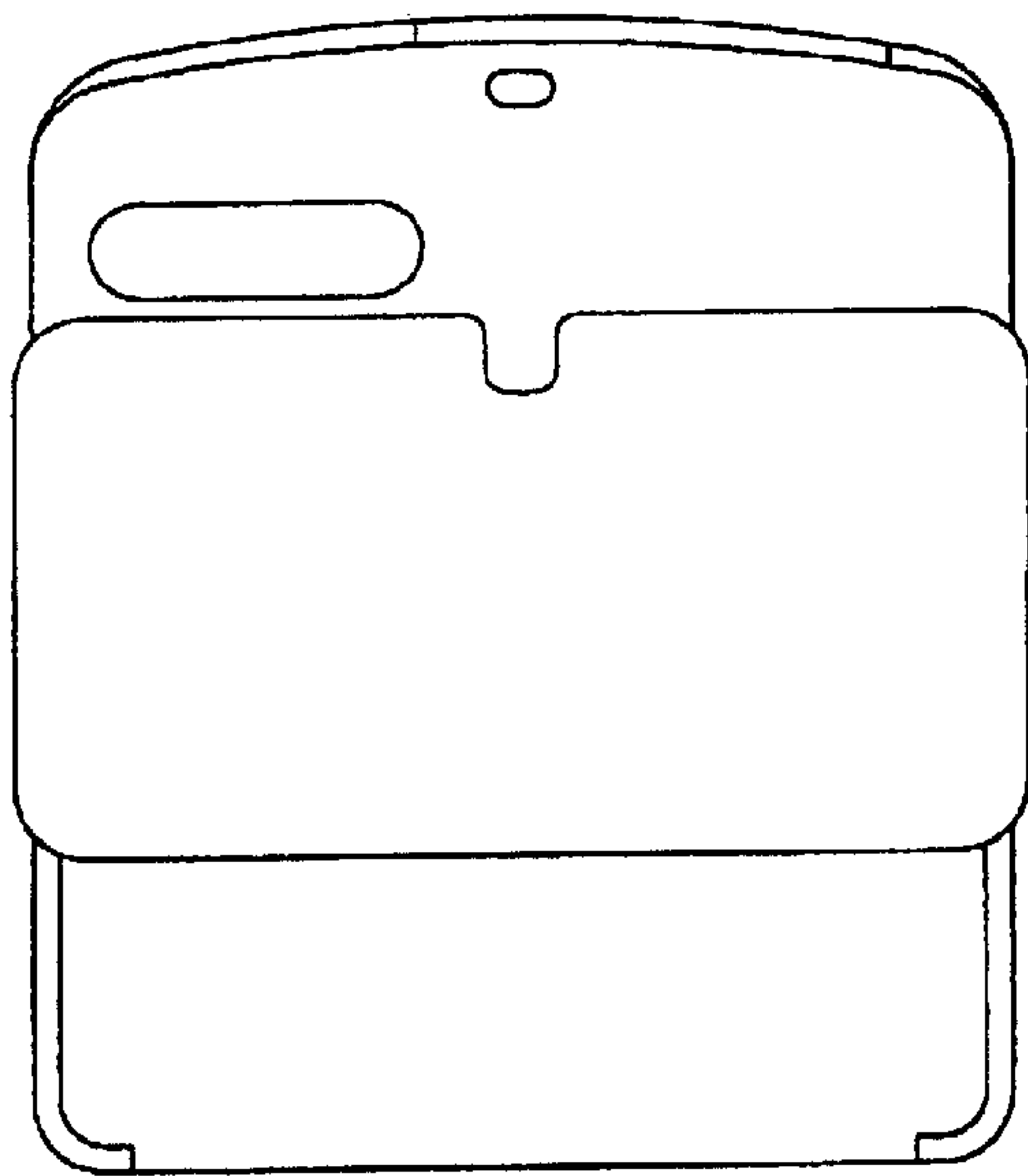


FIG. 3

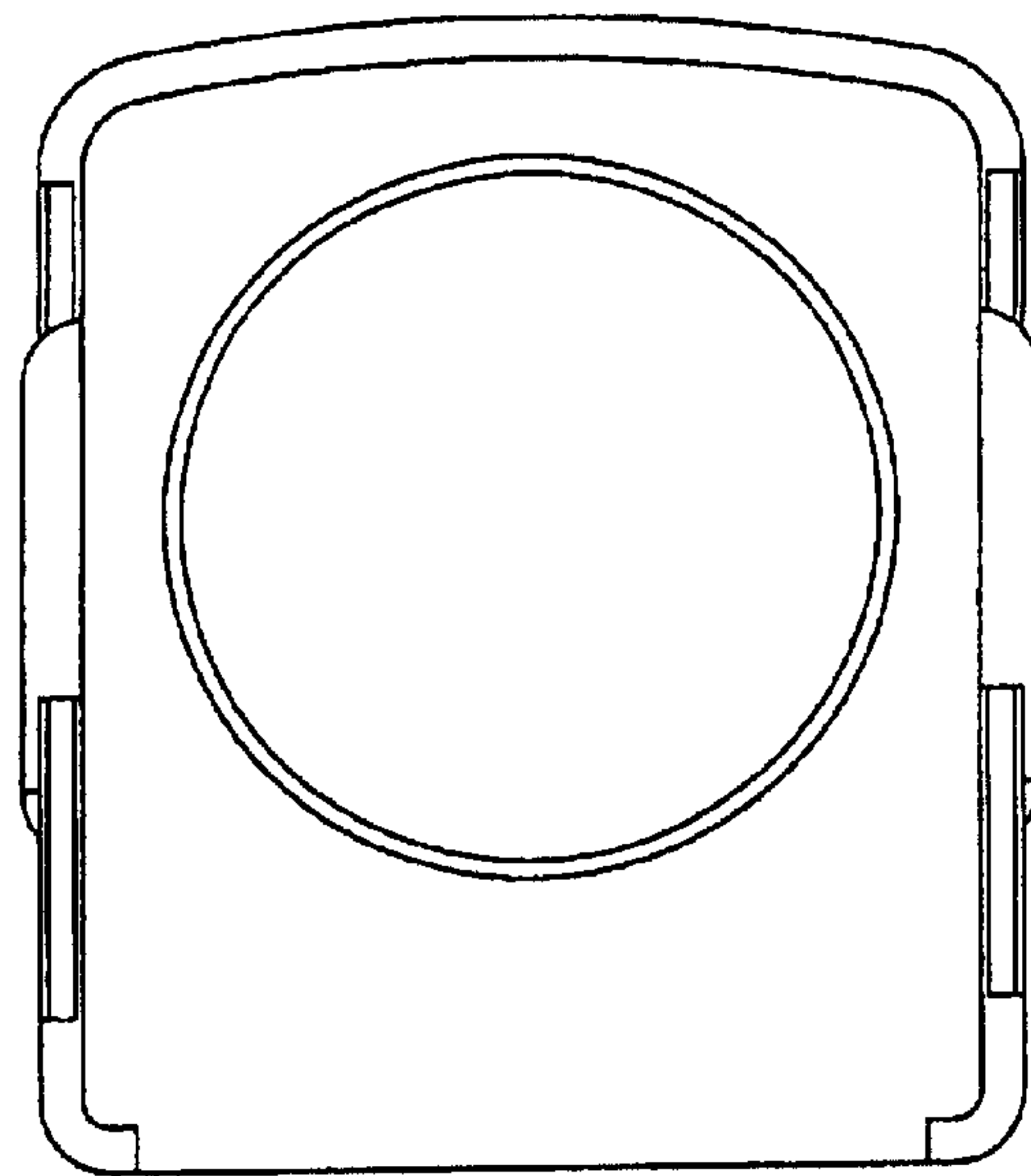


FIG. 4



FIG. 5



FIG. 6

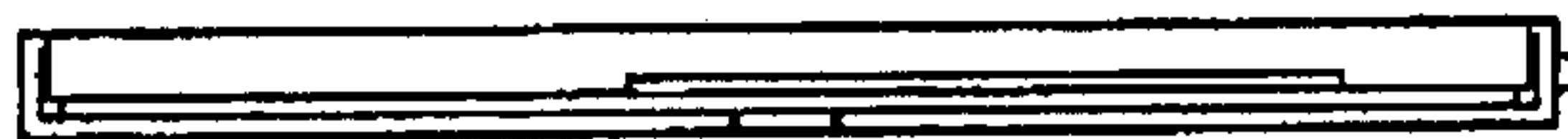


FIG. 7



FIG. 8

