

US00D501477S

(12) **United States Design Patent**  
**Hall**

(10) **Patent No.:** **US D501,477 S**

(45) **Date of Patent:** **\*\* Feb. 1, 2005**

(54) **KEYBOARD CONTROL DEVICE**

(75) **Inventor:** **David Hall**, Biddulph (GB)

(73) **Assignee:** **Baxall Limited**, Stock Port (GB)

(\*\*) **Term:** **14 Years**

(21) **Appl. No.:** **29/187,987**

(22) **Filed:** **Aug. 11, 2003**

(51) **LOC (7) Cl.** ..... **14-02**

(52) **U.S. Cl.** ..... **D14/396; D14/413**

(58) **Field of Search** ..... D14/390-392,  
D14/396-399, 400, 339, 217, 413, 388;  
D18/1, 2, 7; 178/17 A, 17 C; 200/5 A,  
5 R, 6 A, 6 R; 235/145 A, 145 R; 345/160,  
161, 167, 168; 400/484-486, 488, 489,  
492

(56) **References Cited**

**U.S. PATENT DOCUMENTS**

D315,895 S \* 4/1991 Paine et al. .... D14/339

D318,074 S \* 7/1991 Haung ..... D14/413  
D340,915 S \* 11/1993 Kawase ..... D14/390  
D448,378 S \* 9/2001 Arnold et al. .... D14/396  
D475,050 S \* 5/2003 Klein ..... D14/391  
D480,399 S \* 10/2003 Takita et al. .... D14/399

\* cited by examiner

*Primary Examiner*—Freda S. Nunn

(74) *Attorney, Agent, or Firm*—Notaro & Michalos P.C.

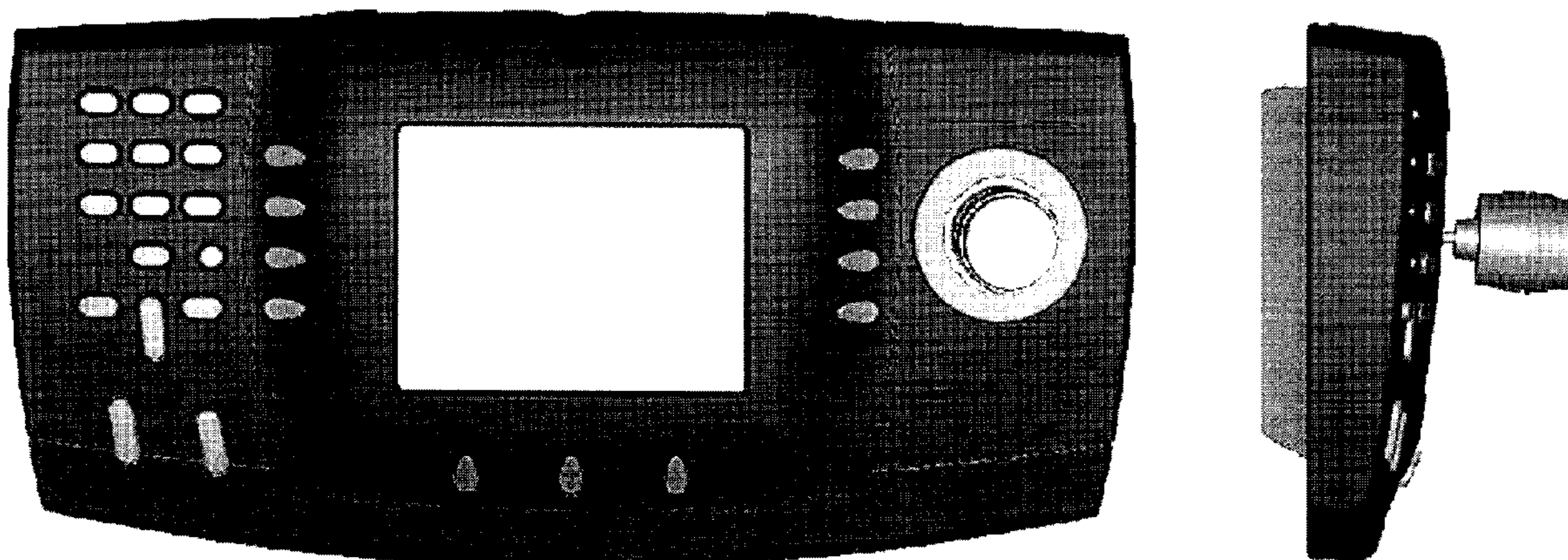
(57) **CLAIM**

The ornamental design for a keyboard control device, as shown and described.

**DESCRIPTION**

FIG. 1 is a top plan view of a keyboard control device showing my new design therefor;  
FIG. 2 is a bottom plan view thereof;  
FIG. 3 is a front elevational view thereof;  
FIG. 4 is a rear elevational view thereof;  
FIG. 5 is a left side elevational view thereof; and,  
FIG. 6 is a right side elevational view thereof.

**1 Claim, 3 Drawing Sheets**





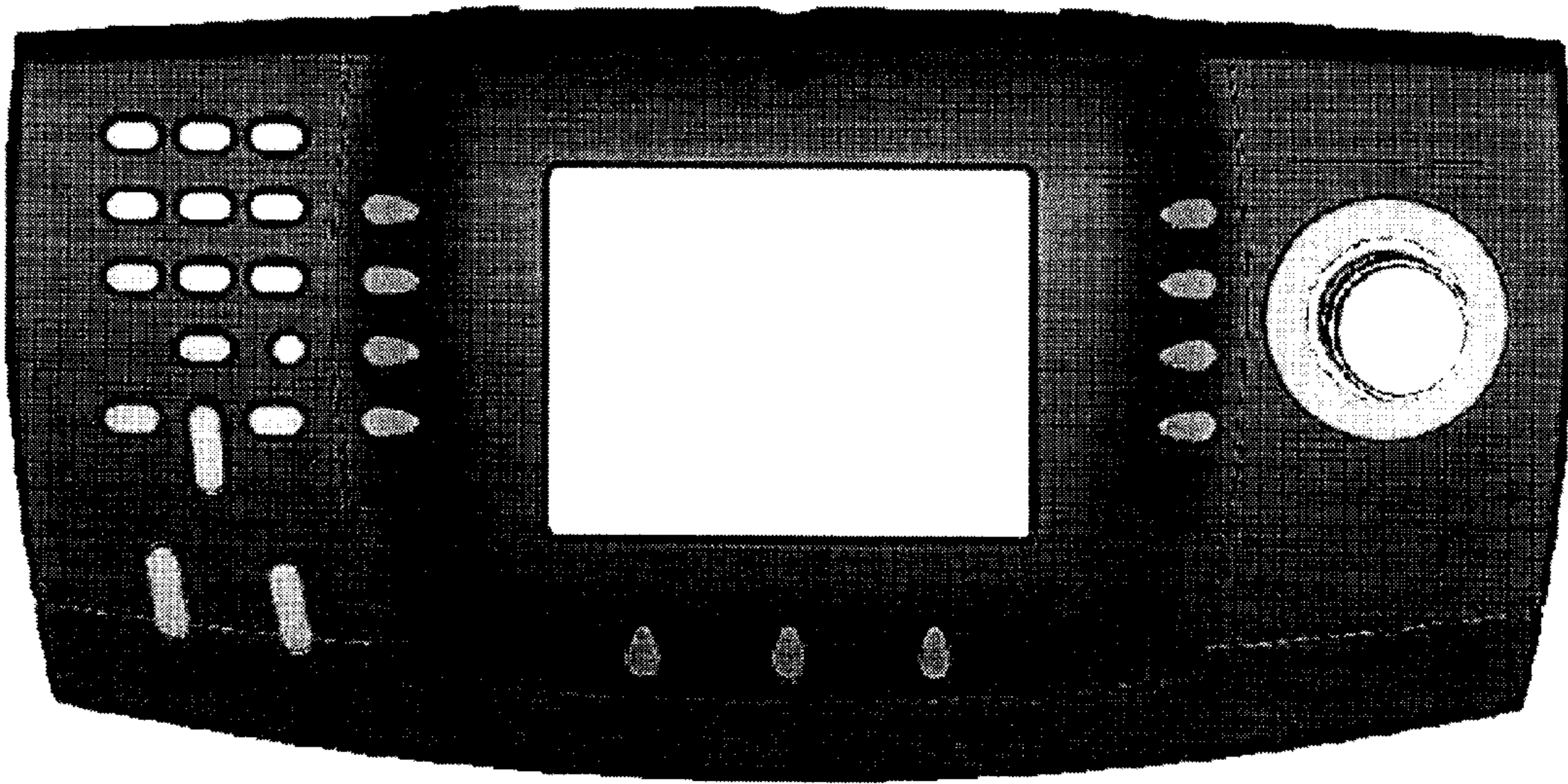


FIG. 1

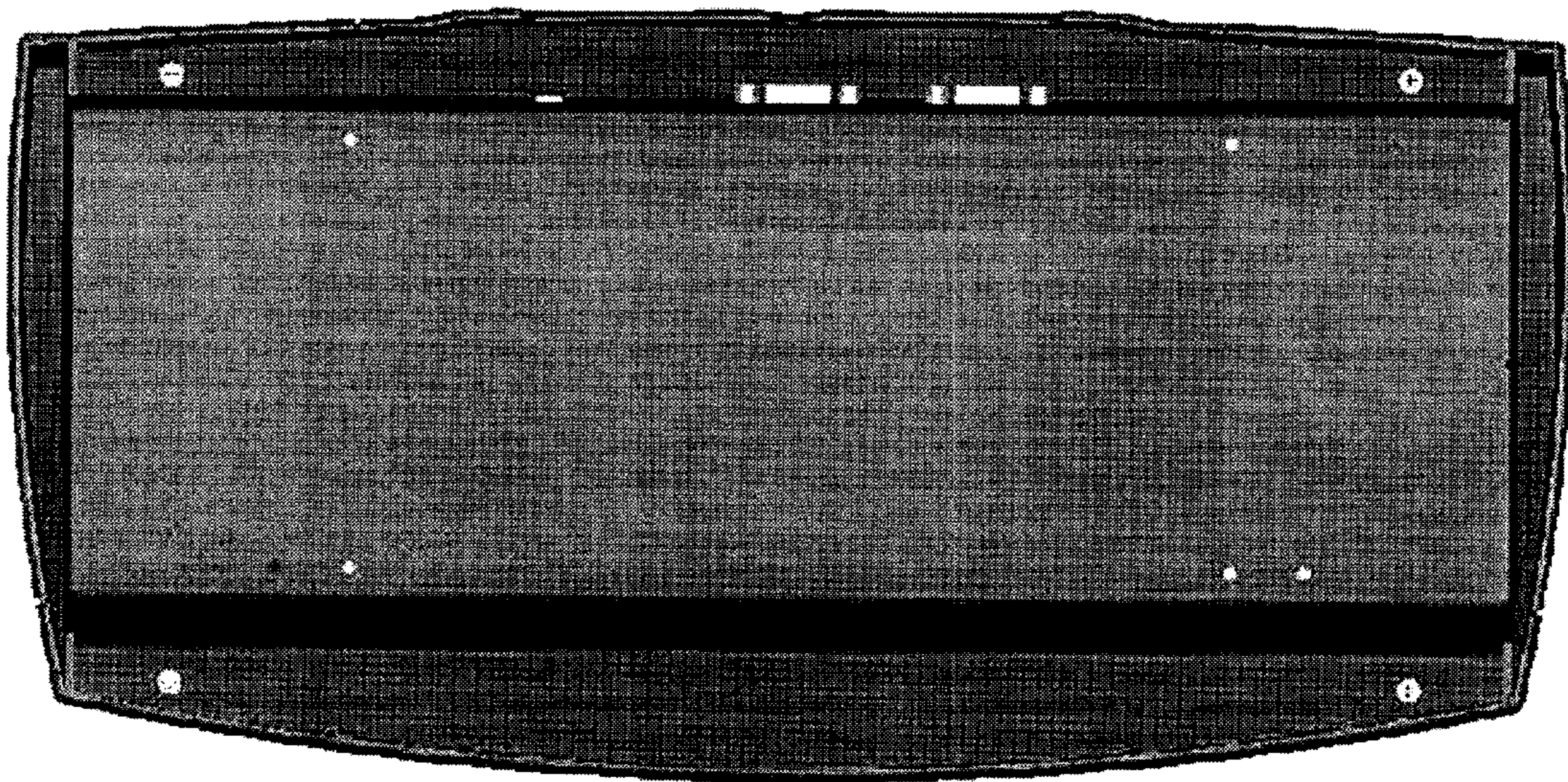


FIG. 2



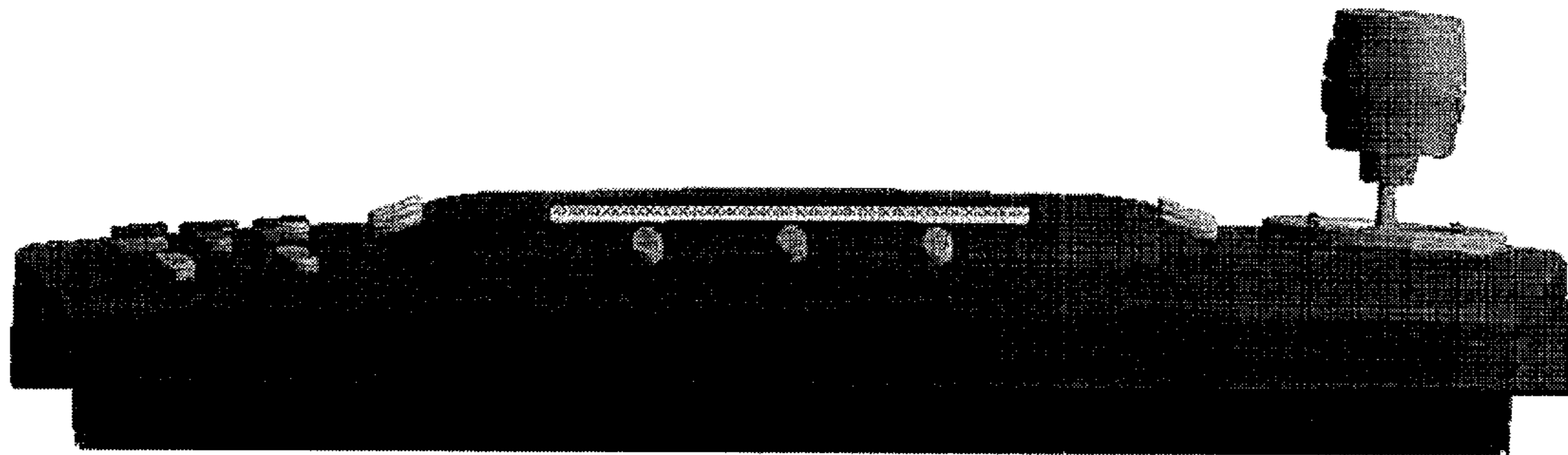


FIG. 3

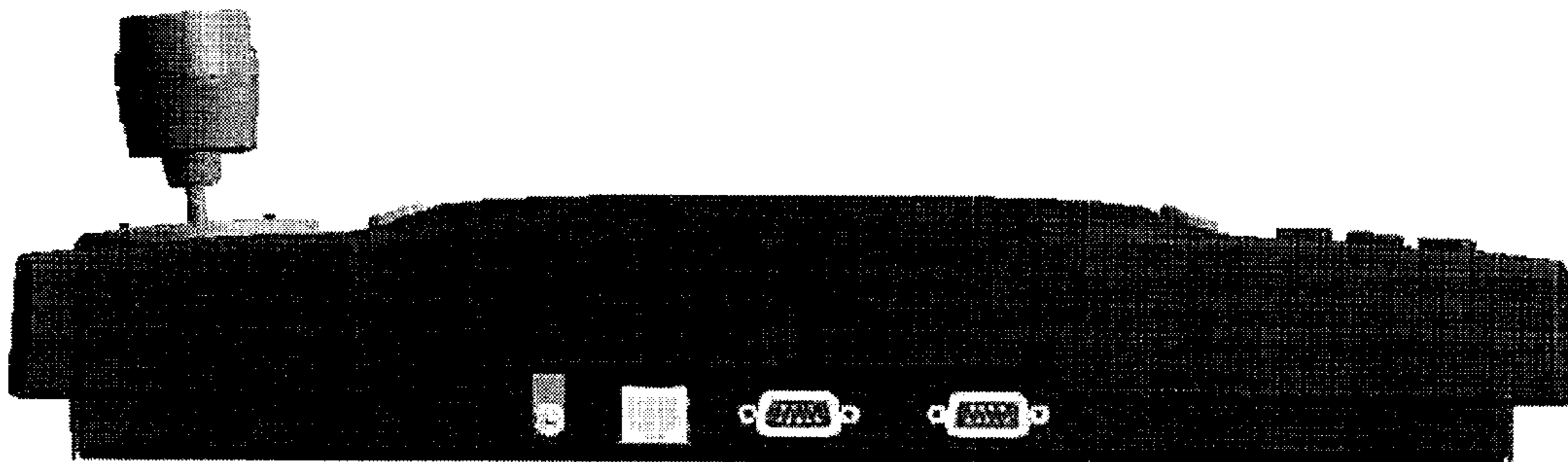


FIG. 4

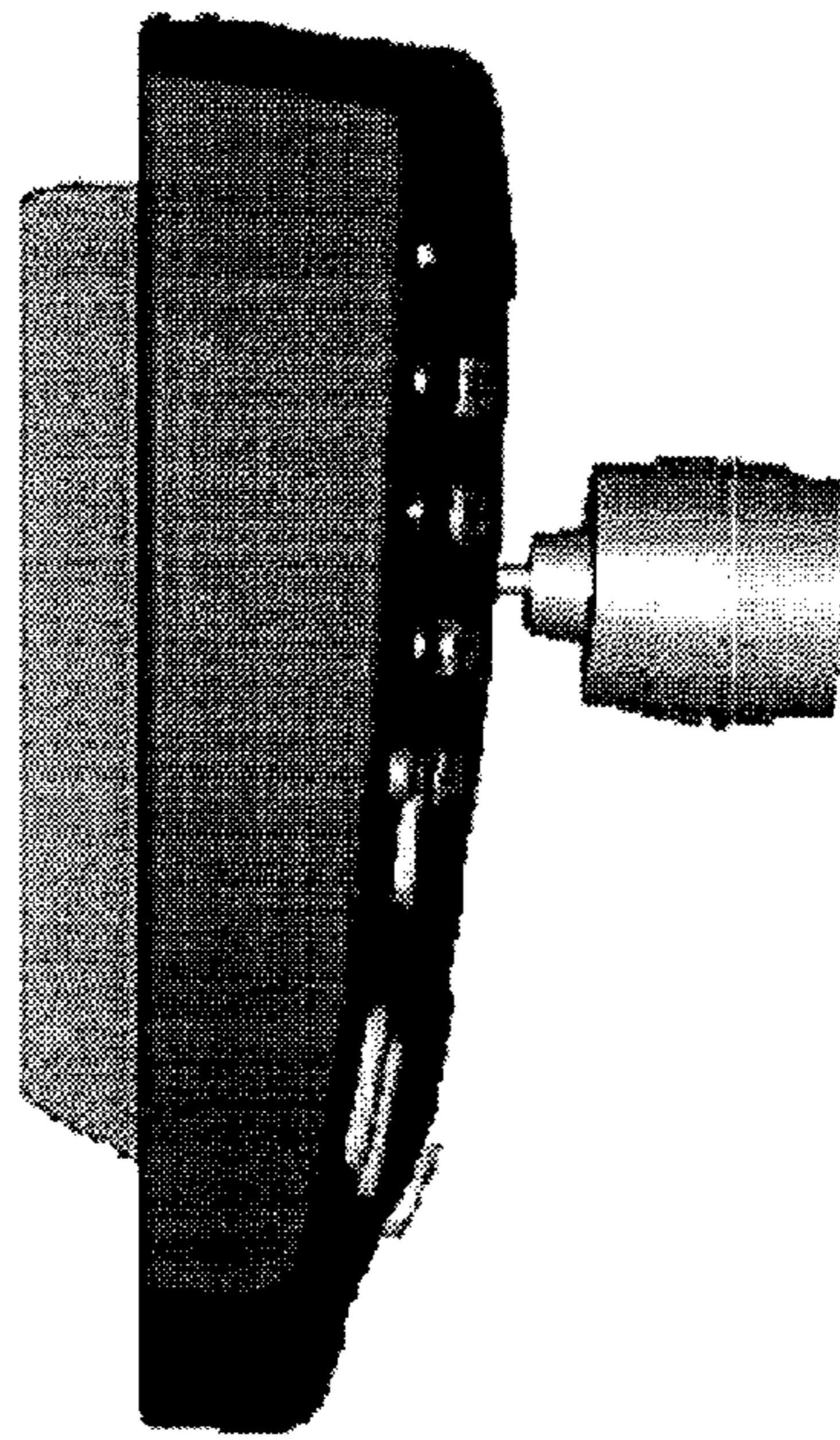


FIG. 5

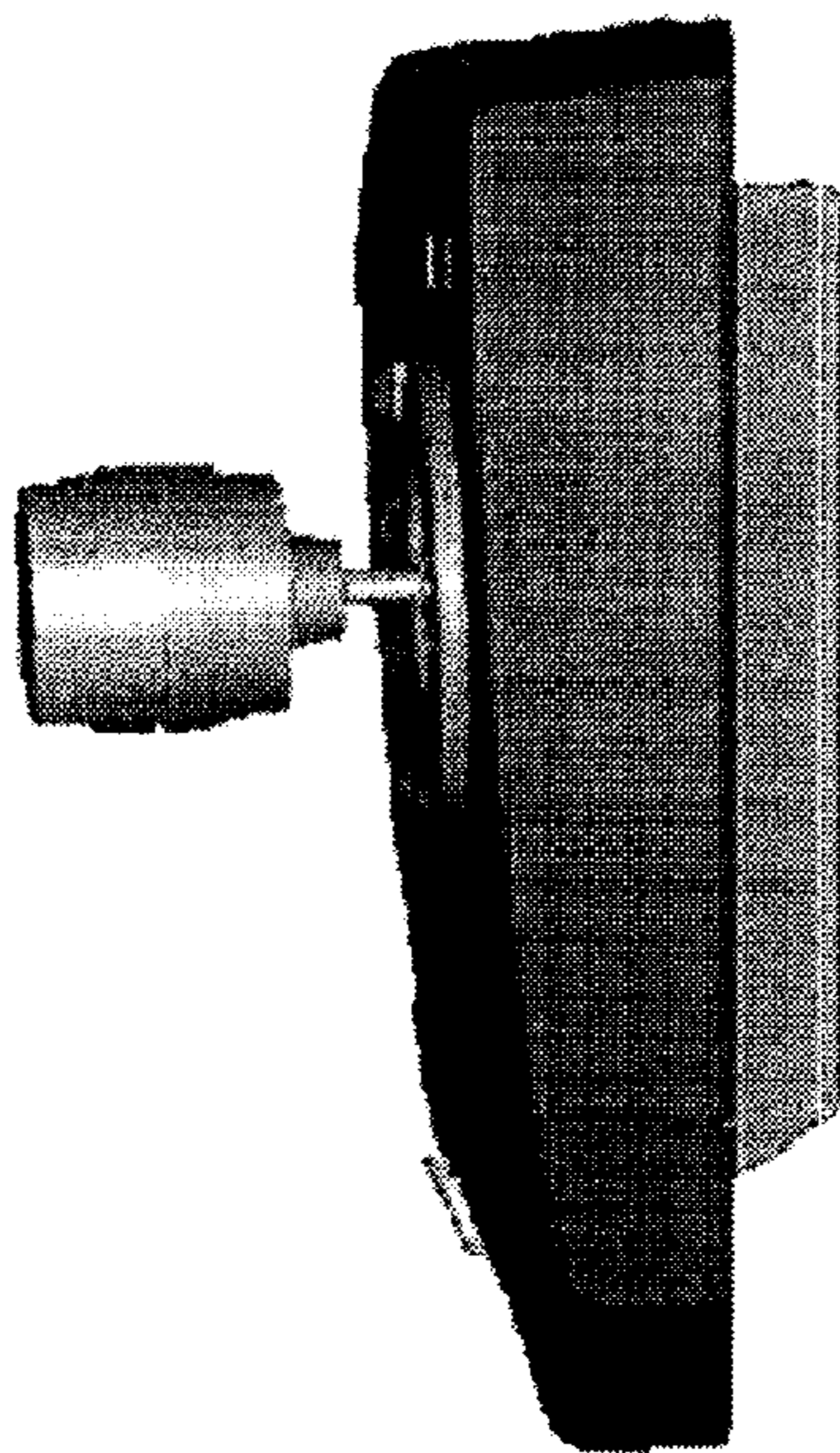


FIG. 6