

US00D501476S

(12) **United States Design Patent**
Quijano

(10) **Patent No.:** **US D501,476 S**

(45) **Date of Patent:** **** Feb. 1, 2005**

(54) **COMPUTING DEVICE**

(75) **Inventor:** **David Quijano**, Magnolia, TX (US)

(73) **Assignee:** **Hewlett-Packard Development Company, L.P.**, Houston, TX (US)

(**) **Term:** **14 Years**

(21) **Appl. No.:** **29/201,647**

(22) **Filed:** **Mar. 18, 2004**

(51) **LOC (7) Cl.** **14-02**

(52) **U.S. Cl.** **D14/352**

(58) **Field of Search** D14/349-356;
D13/162, 184, 123, 199; 312/223.1-223.3;
360/99.01-99.12; 361/680-687; 369/34.01,
36.01

(56) **References Cited**

U.S. PATENT DOCUMENTS

D433,381 S * 11/2000 Talesfore D13/123

6,456,486 B1 * 9/2002 Frame et al. 361/683
D469,763 S * 2/2003 Searby D14/351
6,542,362 B2 * 4/2003 Lajara et al. 361/687
D478,078 S * 8/2003 Miao et al. D14/349

* cited by examiner

Primary Examiner—Freda S. Nunn

(57) **CLAIM**

The ornamental design for a computing device, as shown and described.

DESCRIPTION

FIG. 1 is a perspective view showing my new computing device;
FIG. 2 is a left side view thereof;
FIG. 3 is a right view thereof;
FIG. 4 is a top view thereof;
FIG. 5 is a bottom view thereof;
FIG. 6 is a front view thereof; and,
FIG. 7 is a rear view thereof.

1 Claim, 4 Drawing Sheets

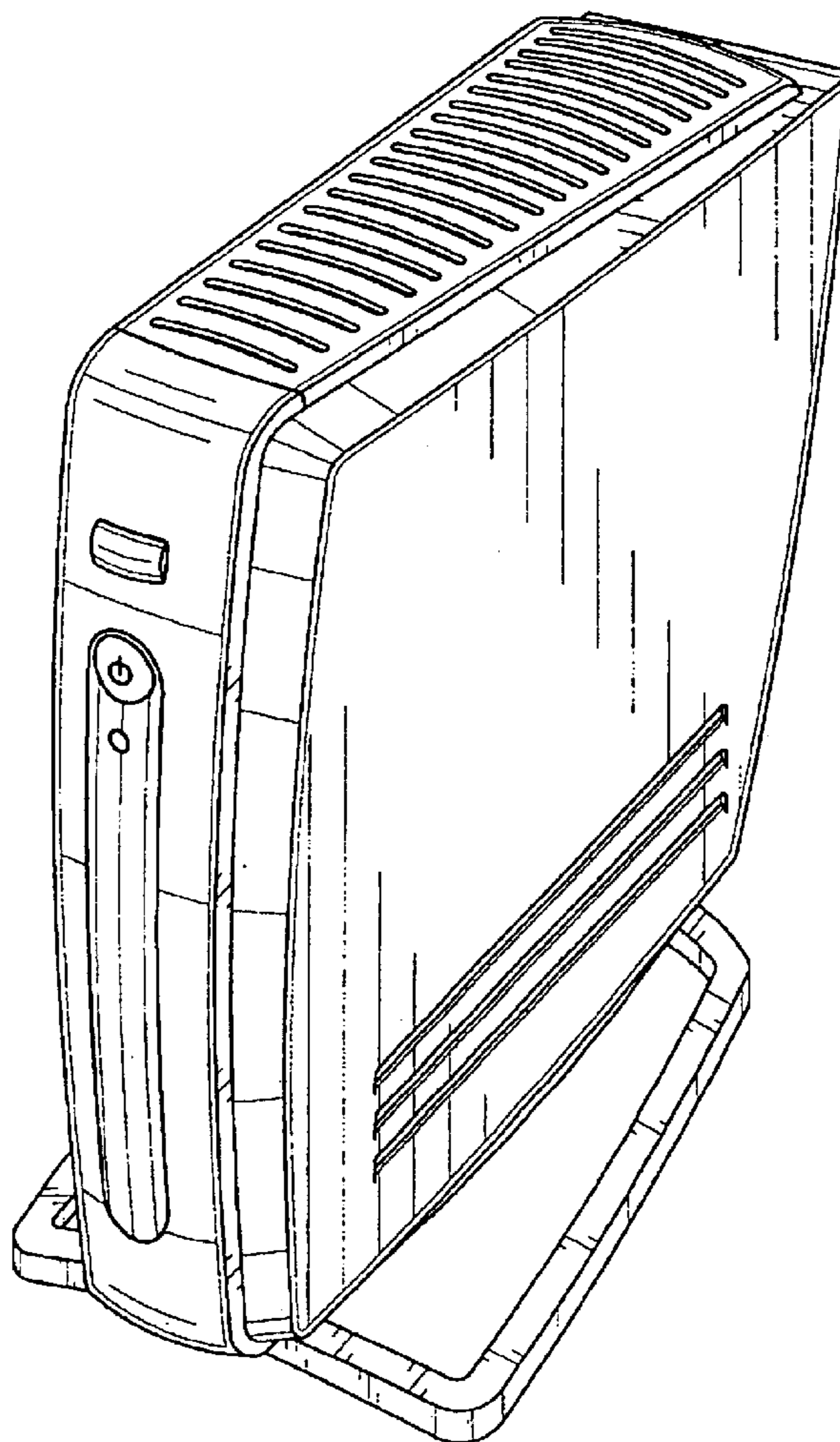


FIG. 1

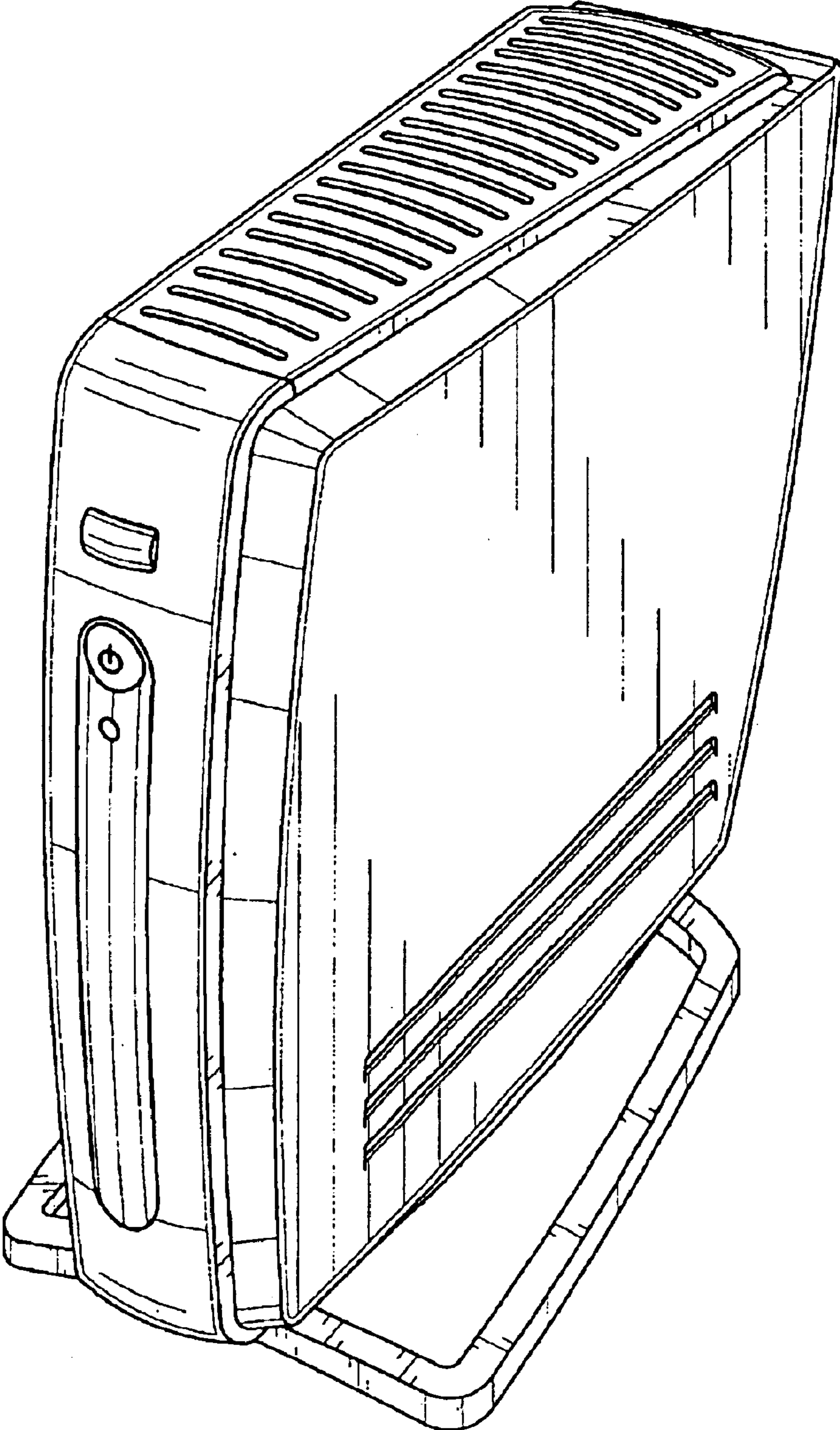


FIG.3

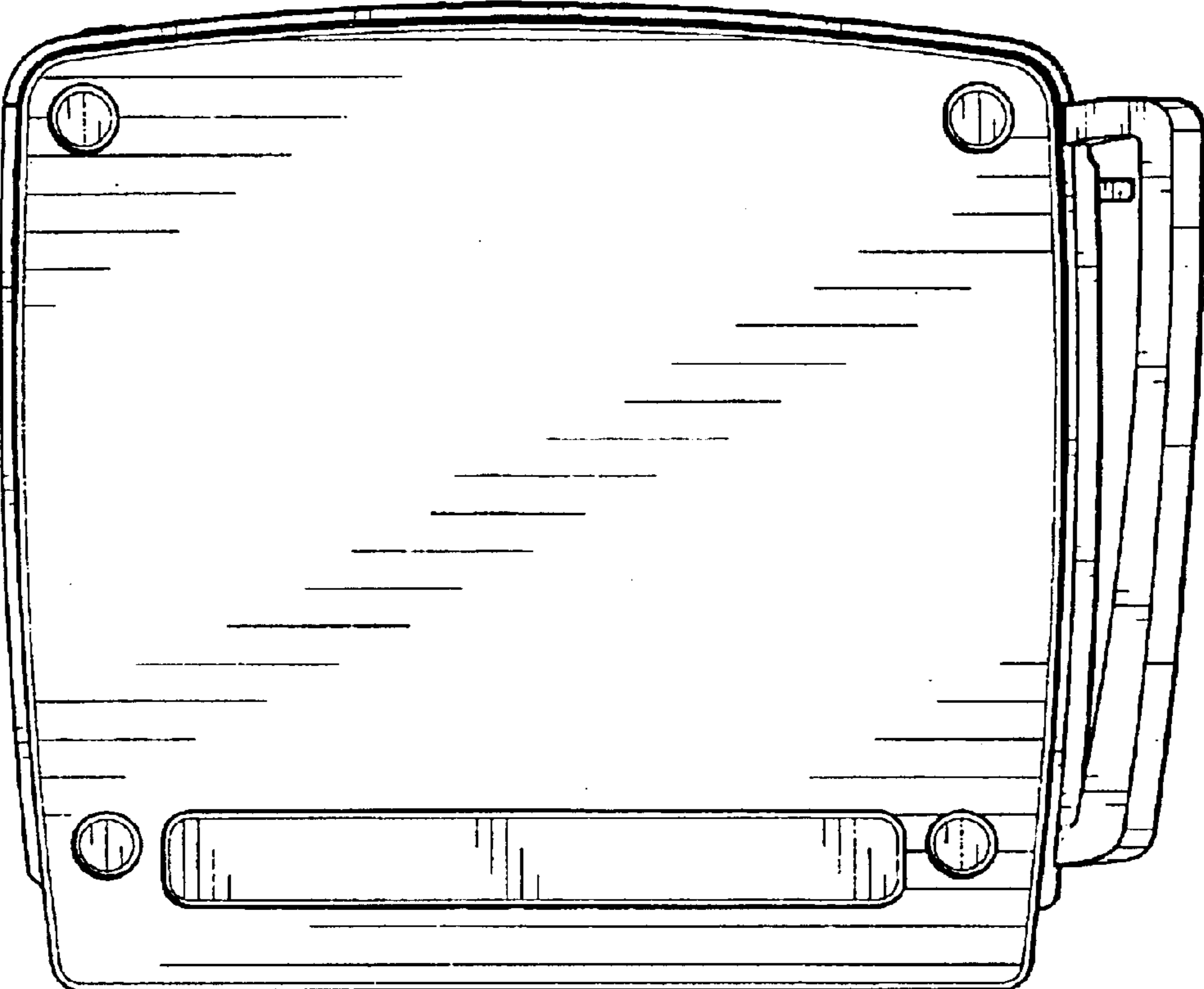


FIG.2

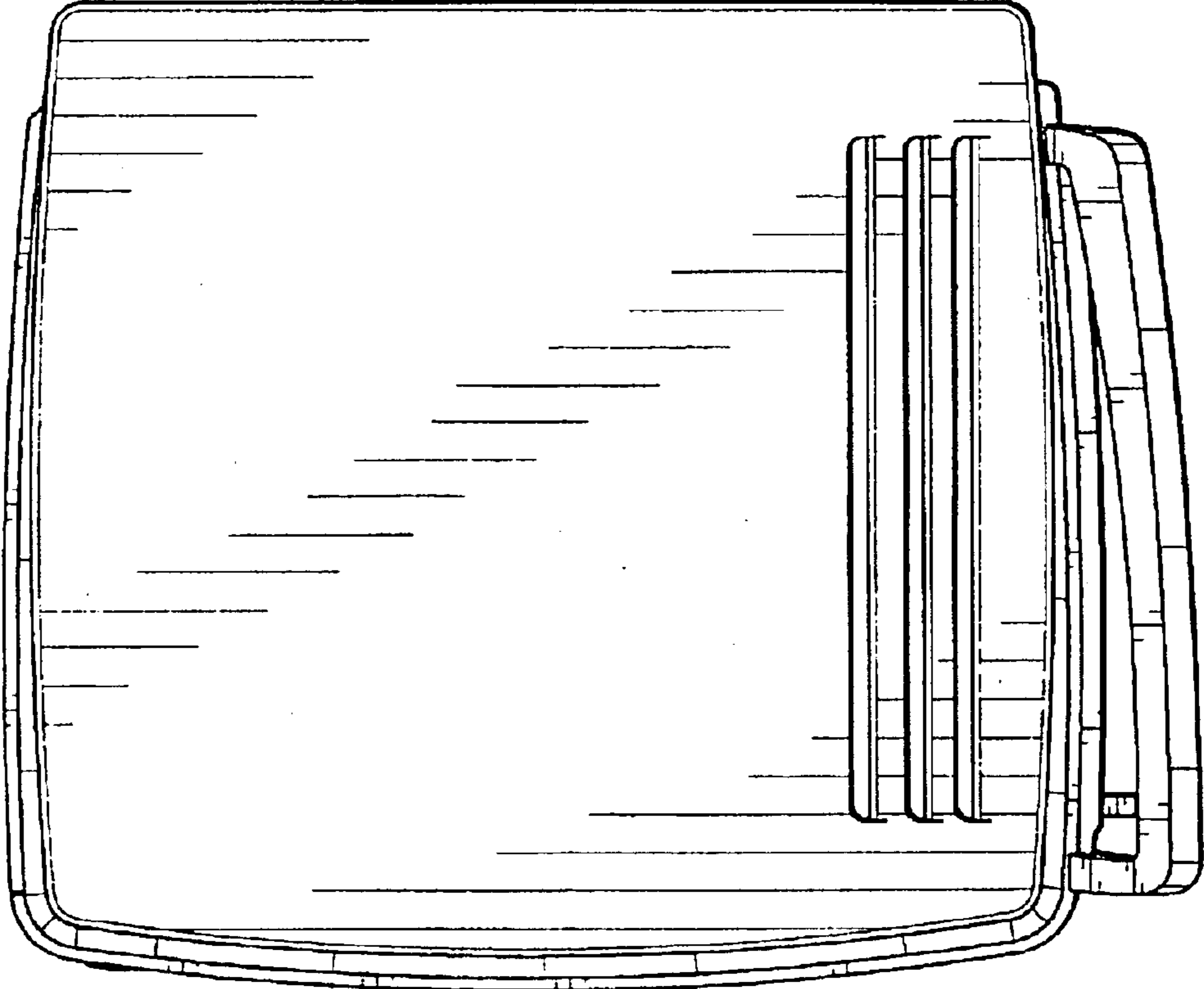


FIG.5

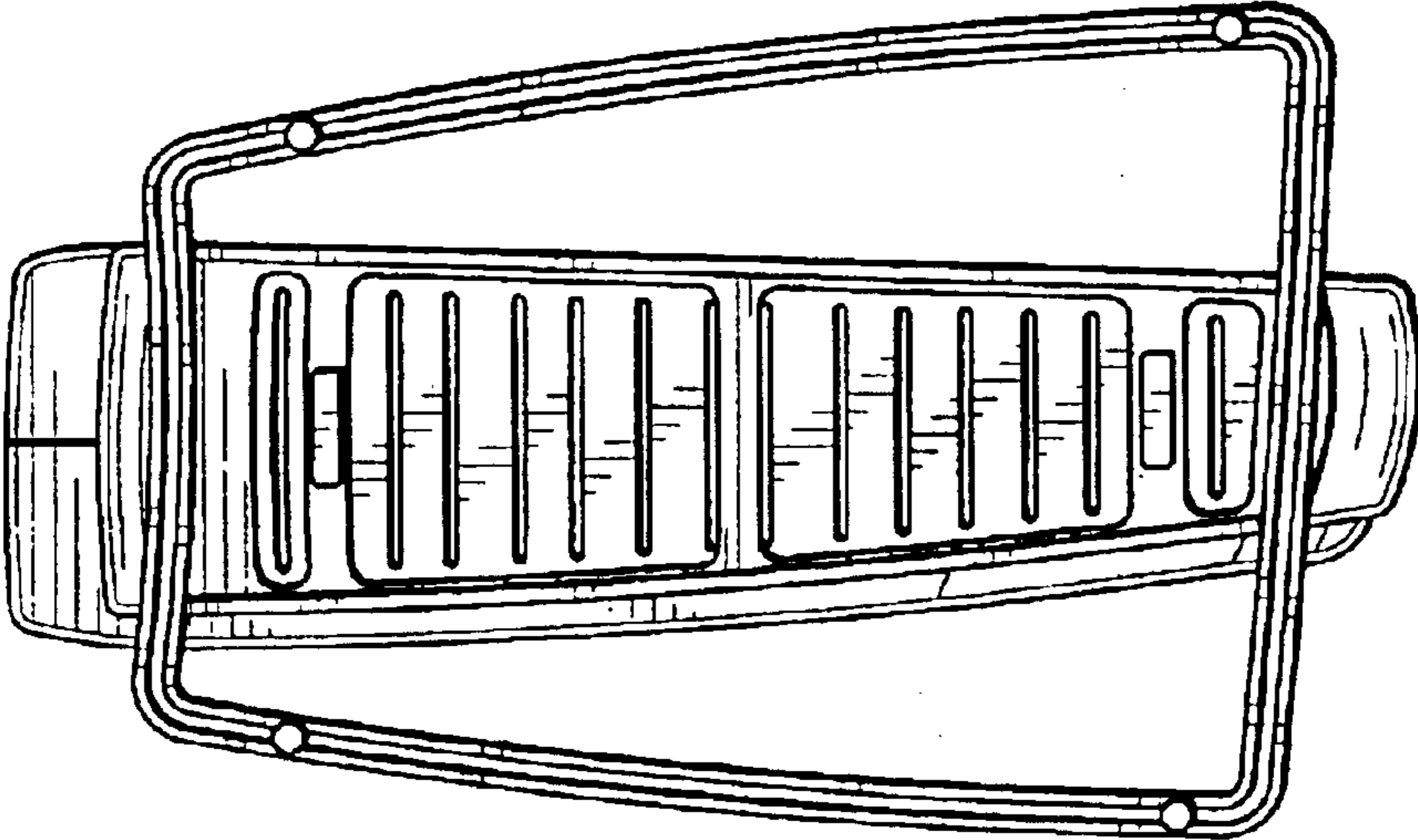


FIG.4

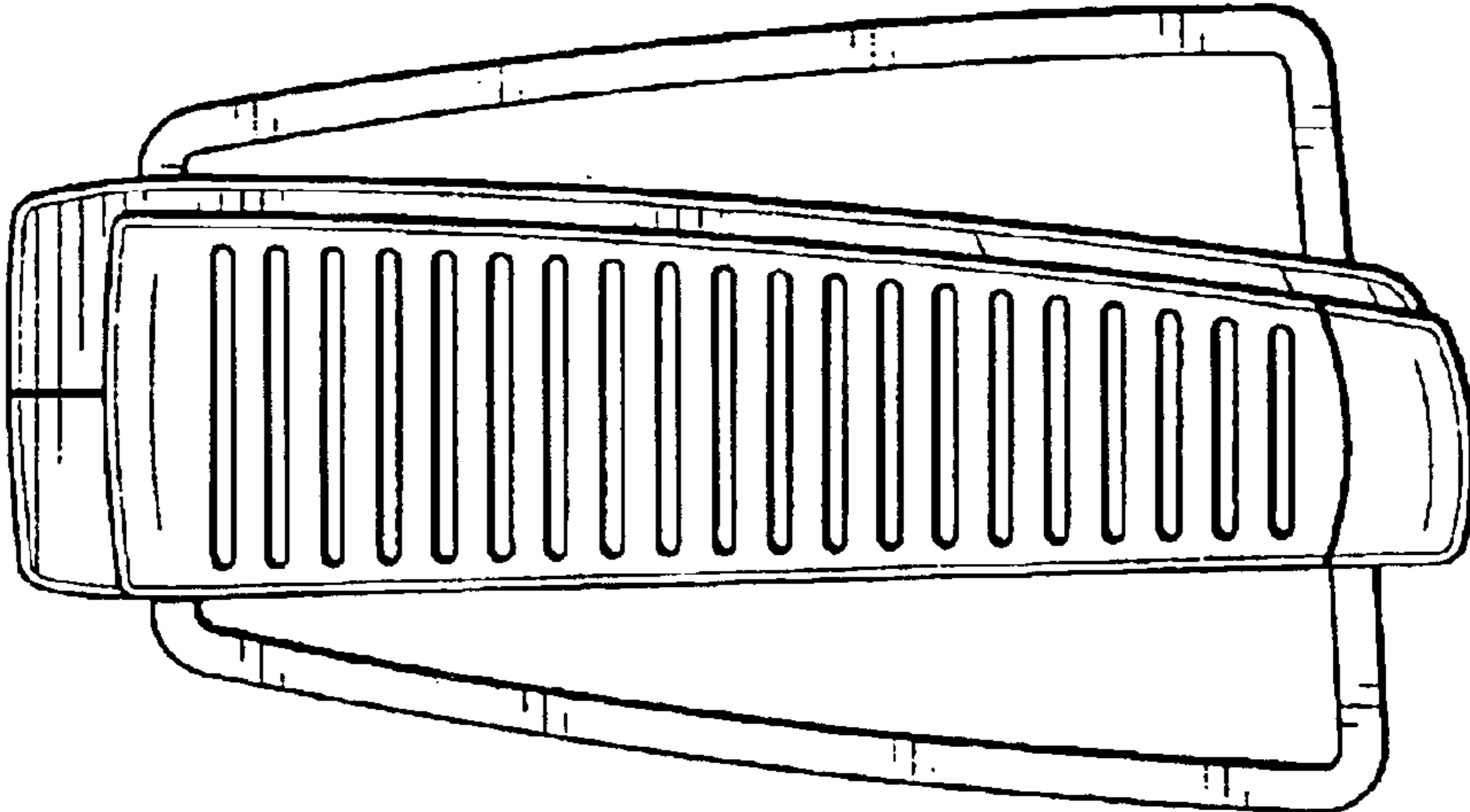


FIG. 7

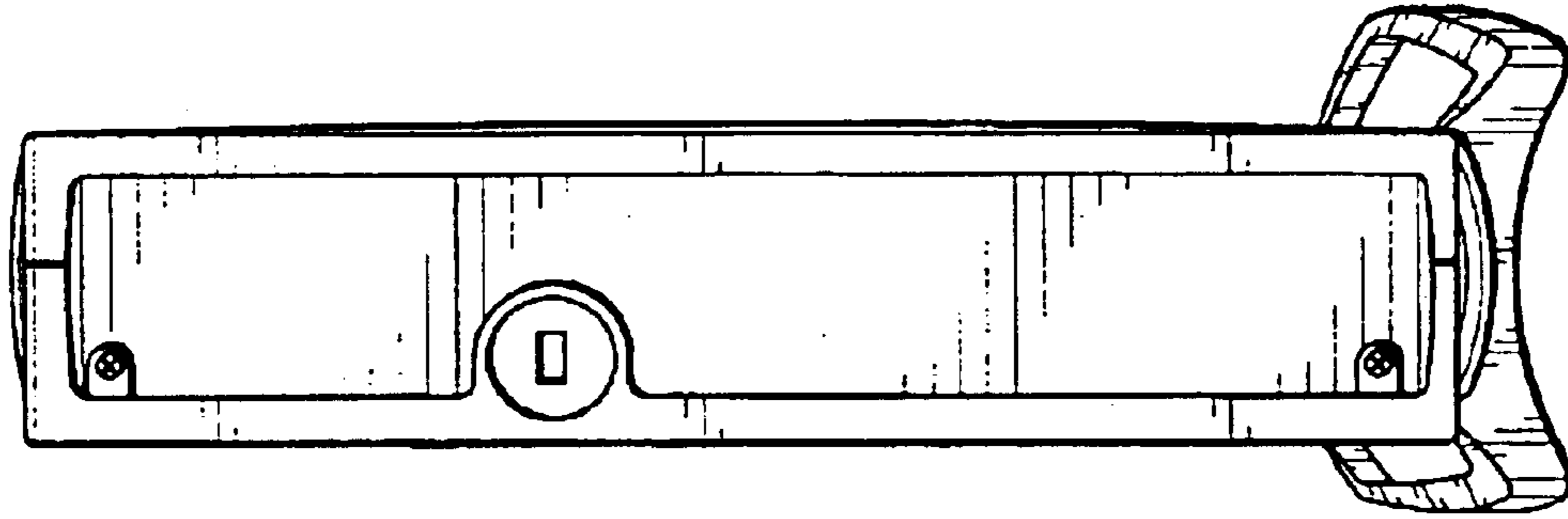


FIG. 6

