

US00D501471S

(12) **United States Design Patent**
Nakamura et al.

(10) **Patent No.:** **US D501,471 S**
(45) **Date of Patent:** **** Feb. 1, 2005**

(54) **COMBINED DIGITAL AUDIO DISC PLAYER AND RADIO TUNER FOR A VEHICLE**

(75) Inventors: **Shigeo Nakamura, Kobe (JP);**
Takahiro Nakagawa, Kobe (JP)

(73) Assignee: **Fujitsu Ten Limited (JP)**

(**) Term: **14 Years**

(21) Appl. No.: **29/196,324**

(22) Filed: **Dec. 26, 2003**

(51) **LOC (7) Cl.** **14-01**

(52) **U.S. Cl.** **D14/258**

(58) **Field of Search** D14/135-136,
D14/160-168, 188, 197-198, 156-157,
257, 258; 455/100, 344, 346-351, 321;
369/75.1, 75.2, 77.2

(56) **References Cited**

U.S. PATENT DOCUMENTS

5,862,468 A	*	1/1999	Kim	455/321
D436,093 S	*	1/2001	Okada et al.	D14/168
D458,242 S	*	6/2002	Ito et al.	D14/156
D468,285 S	*	1/2003	Mizokawa	D14/157
D475,690 S	*	6/2003	Nose et al.	D14/157
D480,076 S	*	9/2003	Nose et al.	D14/258

OTHER PUBLICATIONS

Japanese Design Registration No. 1184878; Japanese Design Gazette; Published Sep. 16, 2003, and two sets of photographs of FIGS 1-7 of Reg. No. 1184878, the first set

being the original photographs and the second set being color versions of the same photographs.

Japanese Design Registration No. 1101535; Japanese Design Gazette; Published Feb. 19, 2001.

Japanese Design Registration No. 1138545; Japanese Design Gazette; Published Apr. 15, 2002.

Japanese Design Registration No. 1161592; Japanese Design Gazette; Published Dec. 24, 2002.

* cited by examiner

Primary Examiner—Nanda Bondade

(74) *Attorney, Agent, or Firm*—Saidman DesignLaw Group

(57) **CLAIM**

The ornamental design for a combined digital audio disc player and radio tuner for a vehicle, as shown and described.

DESCRIPTION

FIG. 1 is a front perspective view of a combined digital audio disc player and radio tuner for a vehicle showing our new design;

FIG. 2 is a front view thereof;

FIG. 3 is a left side elevational view thereof;

FIG. 4 is a right side elevational view thereof;

FIG. 5 is a top plan view thereof; and,

FIG. 6 is a bottom plan view thereof.

The broken line showing in FIGS. 1 and 3-6 is for illustrative purposes only and forms no part of the claimed design.

1 Claim, 3 Drawing Sheets

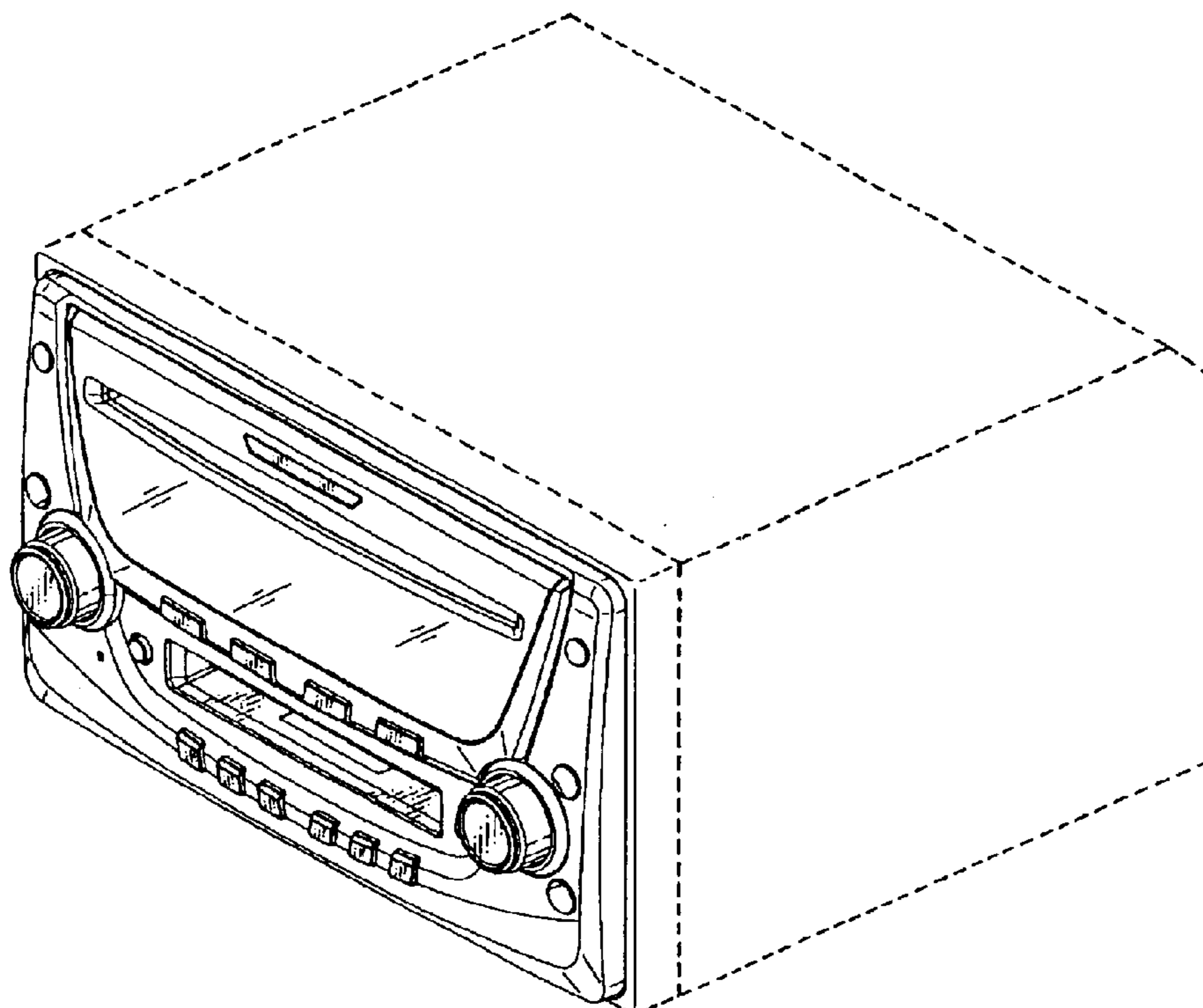


Fig.1

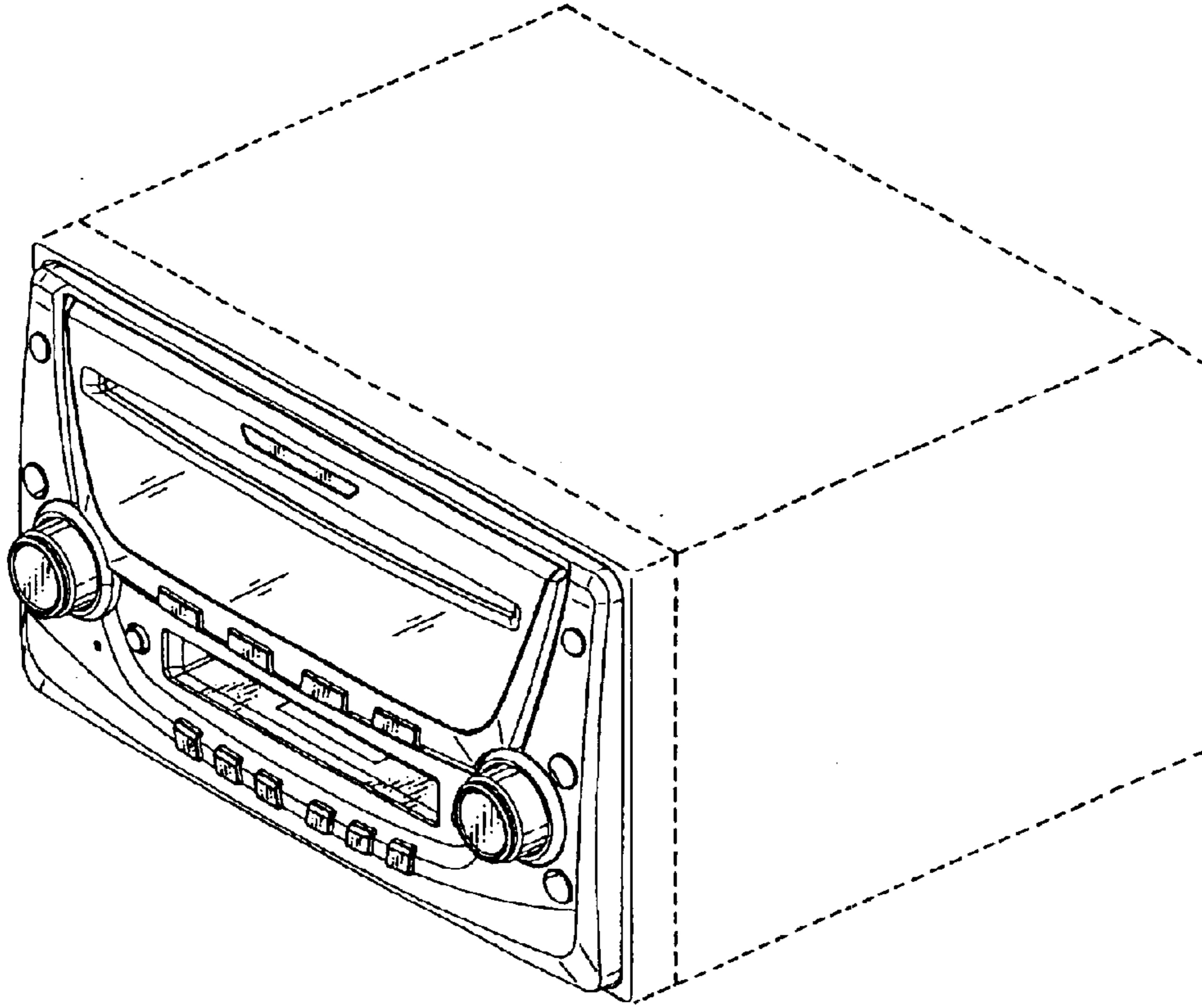


Fig.2

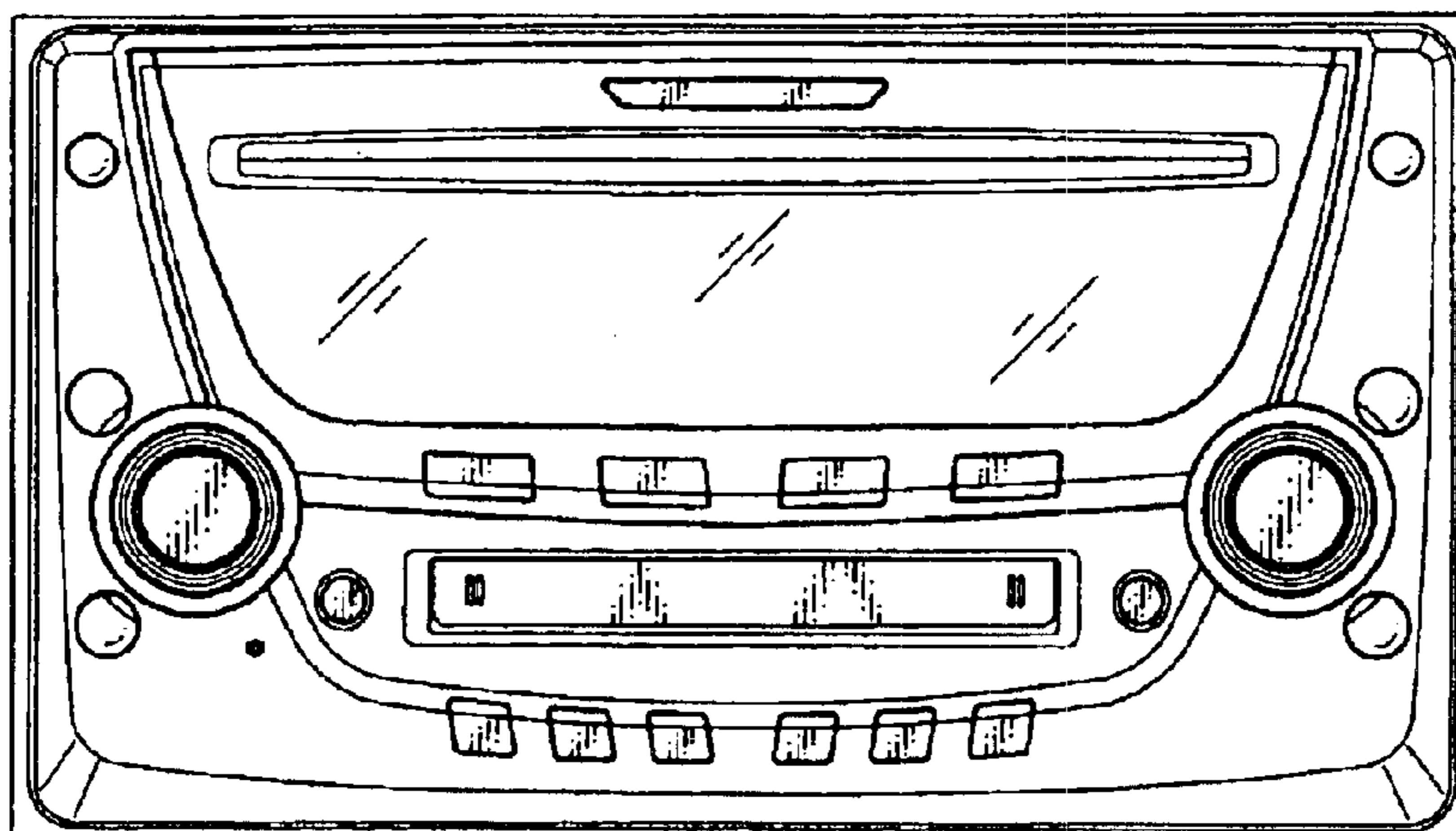


Fig.3



Fig.4

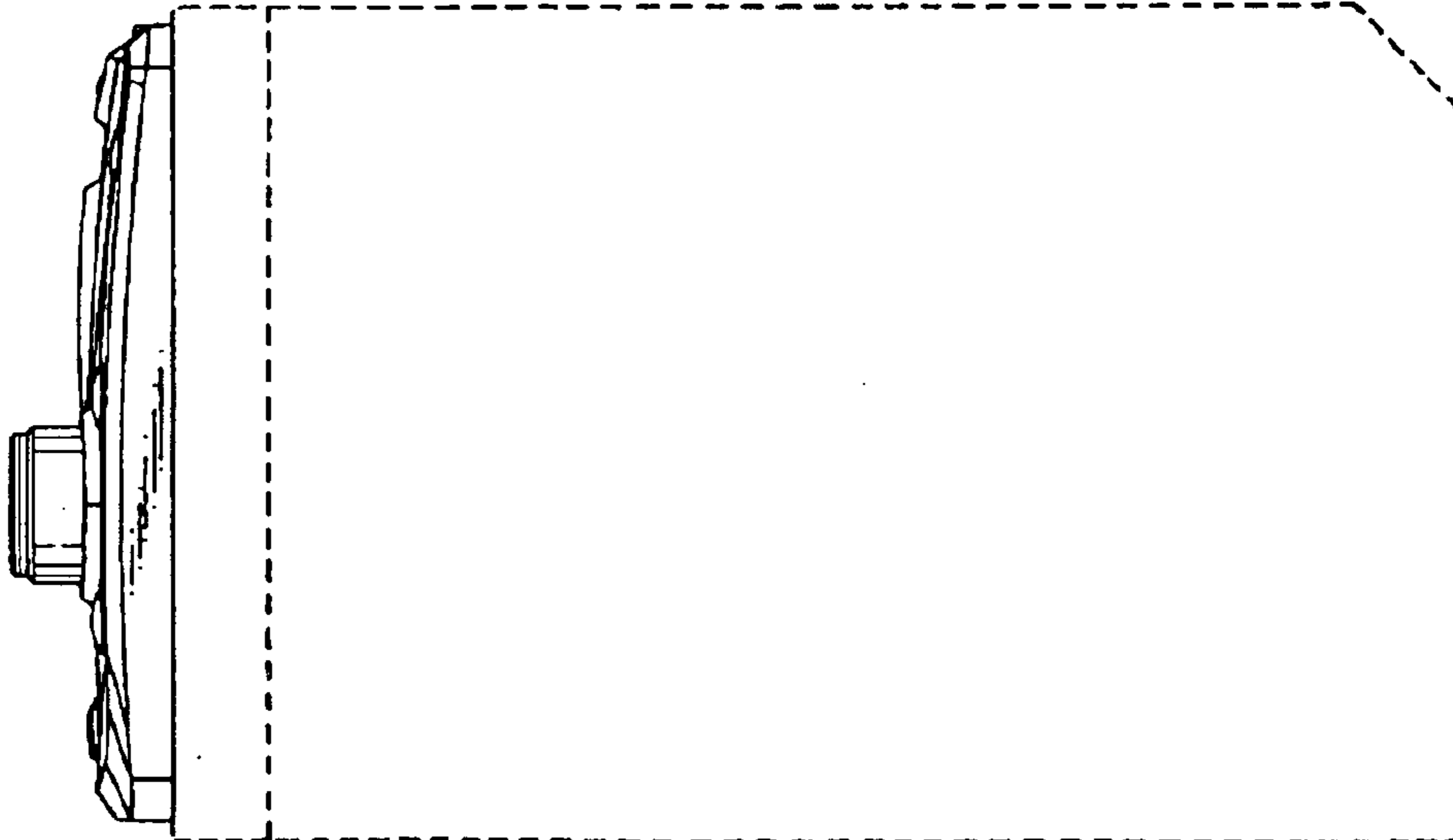


Fig.5

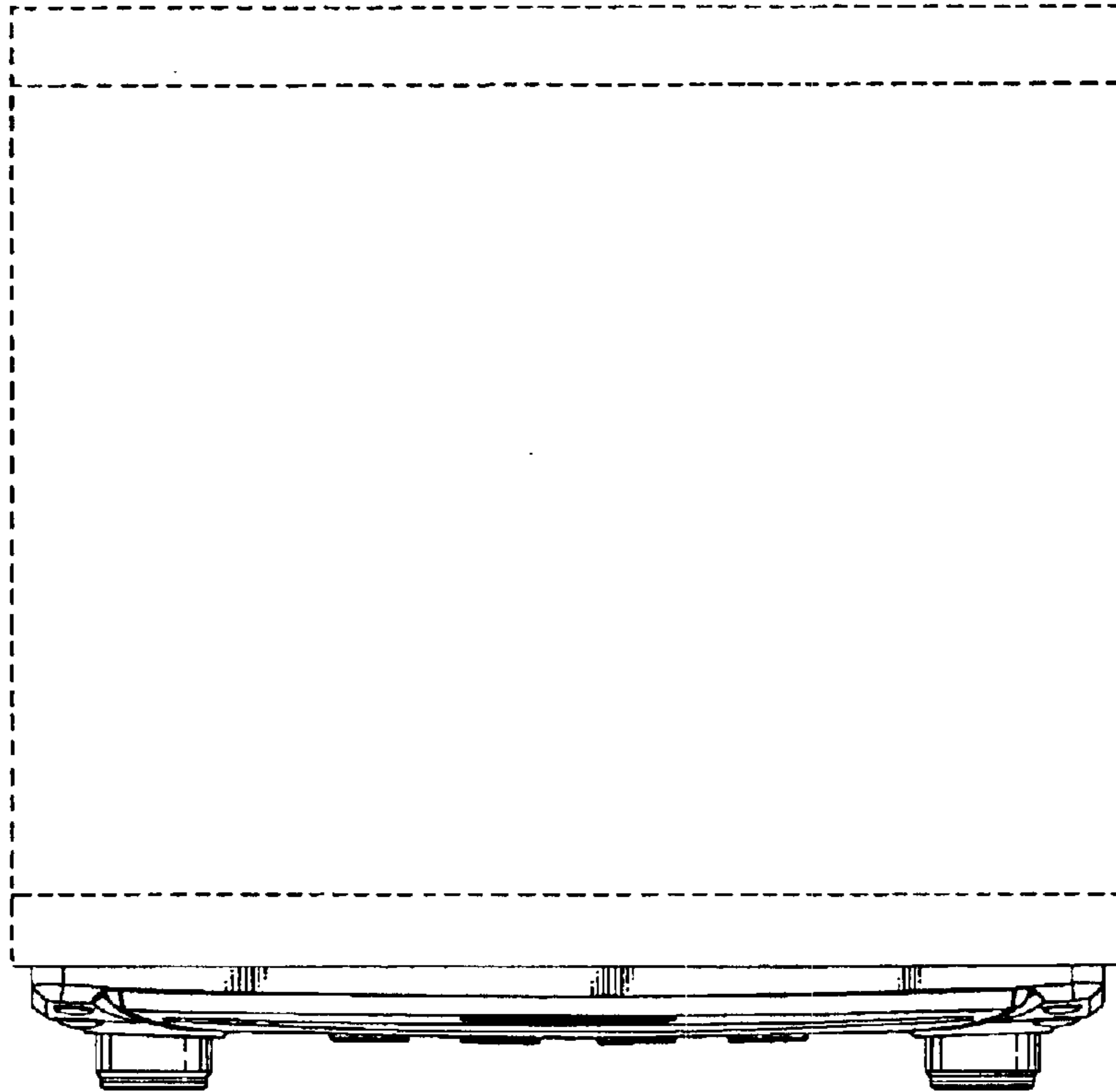


Fig.6

