

US00D501470S

(12) **United States Design Patent** (10) **Patent No.:** **US D501,470 S**
Yau et al. (45) **Date of Patent:** **** Feb. 1, 2005**

(54) **PORTION OF A HANDSET**
(75) Inventors: **William Yau**, Beijing (CN); **Todd Woods**, Santa Monica, CA (US)
(73) Assignee: **Nokia Corporation**, Espoo (FI)
(**) Term: **14 Years**
(21) Appl. No.: **29/181,293**
(22) Filed: **May 9, 2003**
(51) **LOC (7) Cl.** **14-03**
(52) **U.S. Cl.** **D14/248**
(58) **Field of Search** D14/137, 138, D14/218, 147-148, 247-249, 429, 453, 455-456, 144, 399, 426, 387, 341-347, 244, 246, 338-340; 379/433.01-433.13, 419, 434, 428.01-428.04, 420.01-420.04, 440, 368-370; D10/65, 78, 37, 126; 455/550.1-90.3; D21/517; D13/168; D18/2, 7; 345/168, 169

D479,216 S * 9/2003 Ho-Cheun et al. D14/138
D481,369 S * 10/2003 Kolinen et al. D14/138
D484,108 S * 12/2003 Majanen D14/138
D484,477 S * 12/2003 Salmi D14/138
D485,247 S * 1/2004 Wang et al. D14/138
D487,066 S * 2/2004 Gartrell et al. D14/138
D487,438 S * 3/2004 Sheu D14/138
D487,886 S * 3/2004 Ho-Cheun et al. D14/138
D488,143 S * 4/2004 Ting et al. D14/138
D492,298 S * 6/2004 Lee et al. D14/248
D492,660 S * 7/2004 Kim et al. D14/138
2003/0038787 A1 * 2/2003 Nishiyama 345/169
2003/0048257 A1 * 3/2003 Mattila 345/169

FOREIGN PATENT DOCUMENTS

WO DM/061 281 10/2002
WO DM/062 321 1/2003
WO DM/064 133 9/2003
WO DM/064 218 10/2003

OTHER PUBLICATIONS

Nokia Phone Model #6500 Publicly Launched Nov. 19, 2001. 2 pages—www.nokia-asia.com/nokia/0.27135.00.html.

* cited by examiner

Primary Examiner—Jeffrey Asch
(74) *Attorney, Agent, or Firm*—Banner & Witcoff, Ltd.

(57) **CLAIM**

The ornamental design for a portion of a handset, as shown and described.

DESCRIPTION

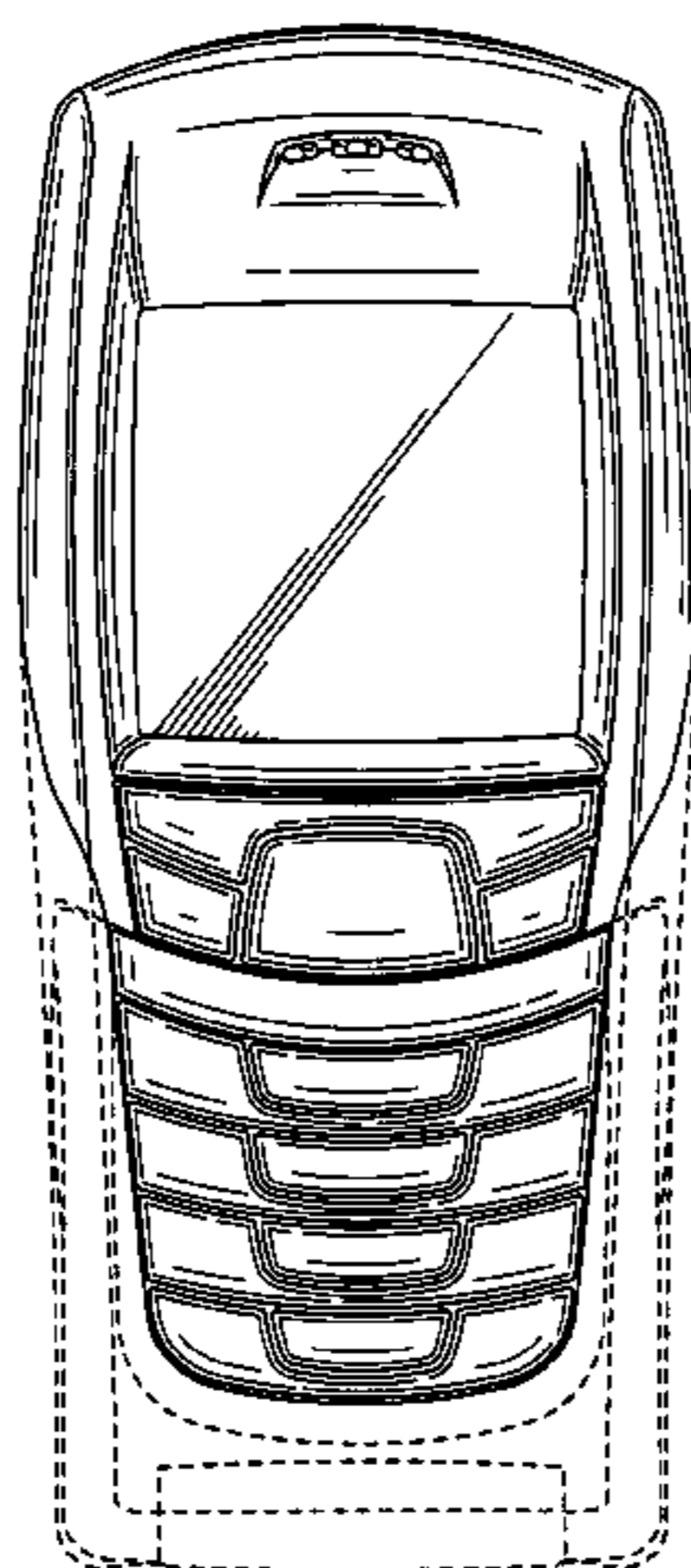
FIG. 1 is a front view of a portion of a handset showing our new design;
FIG. 2 is a perspective view thereof;
FIG. 3 is a top view thereof; and,
FIG. 4 is a right side view thereof.
The uneven broken line showing of the remainder of the handset is for illustrative purposes only and forms no part of the claimed design.

1 Claim, 3 Drawing Sheets

(56) **References Cited**

U.S. PATENT DOCUMENTS

D362,249 S * 9/1995 Burstedt et al. D14/138
D388,082 S * 12/1997 Nagele et al. D14/138
D394,438 S * 5/1998 Nagele et al. D14/248
D402,981 S * 12/1998 Galletti et al. D14/138
D407,398 S * 3/1999 Nuovo et al. D14/138
D413,883 S * 9/1999 Galletti et al. D14/138
D415,770 S * 10/1999 Nuovo D14/248
D428,402 S * 7/2000 Son et al. D14/138
D440,951 S * 4/2001 Kolinen D14/138
D447,133 S * 8/2001 Arbisi et al. D14/248
D448,355 S * 9/2001 Higashi et al. D14/138
D448,742 S * 10/2001 Higashi et al. D14/138
D450,691 S * 11/2001 Higashi et al. D14/248
D455,134 S * 4/2002 Kolinen D14/138
D455,726 S * 4/2002 Kolinen D14/138
D456,798 S * 5/2002 Kolinen D14/248
D470,116 S * 2/2003 Ribeiro et al. D14/138
D477,313 S * 7/2003 Pottie et al. D14/248
D477,314 S * 7/2003 Salmi D14/248



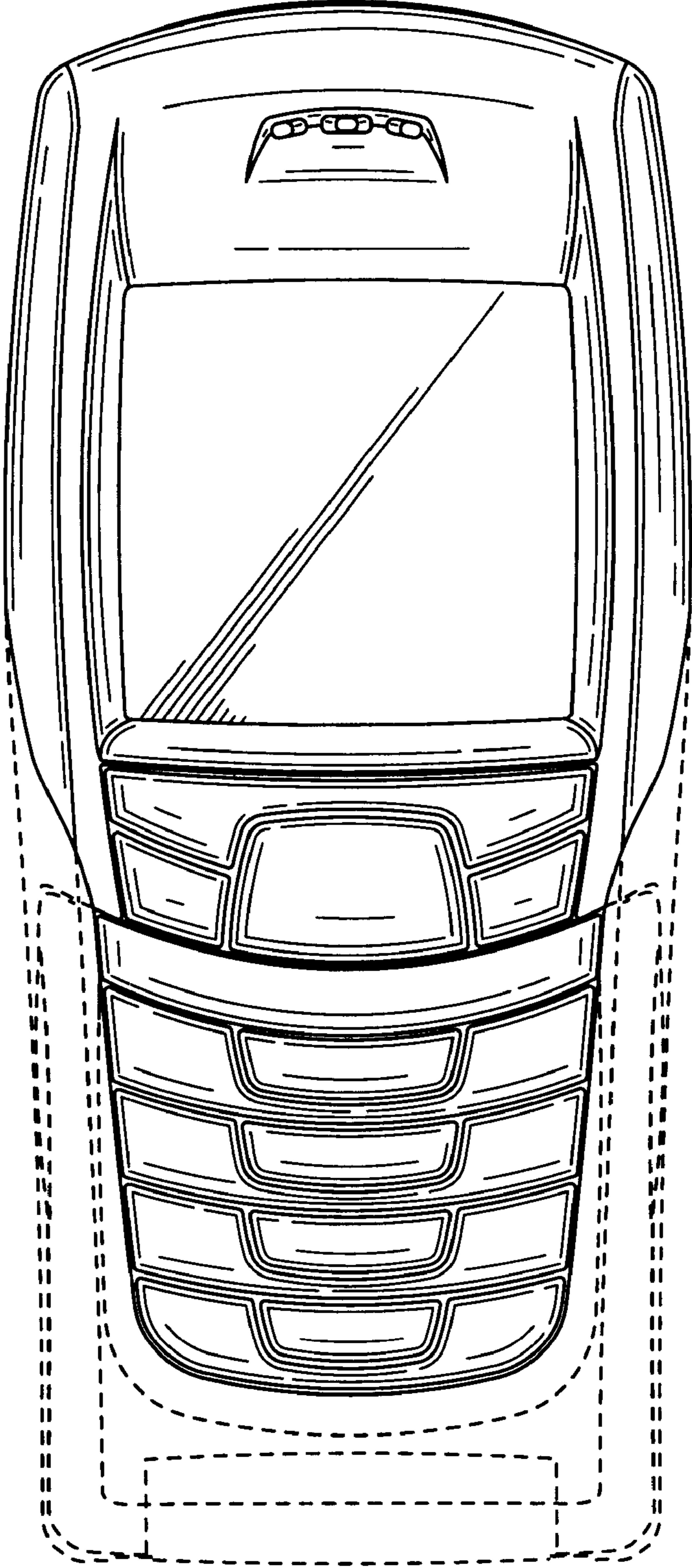


FIG. 1

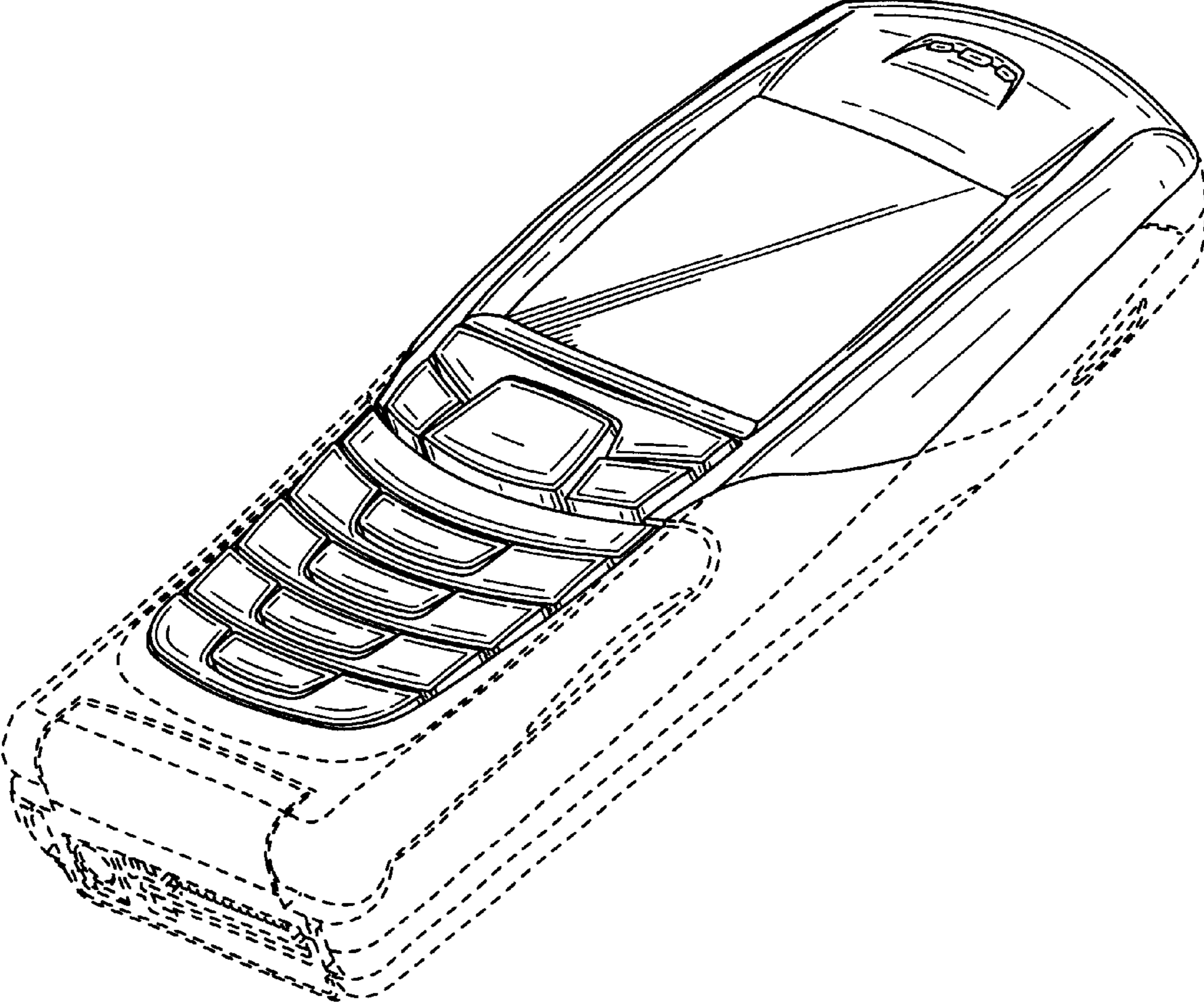


FIG. 2

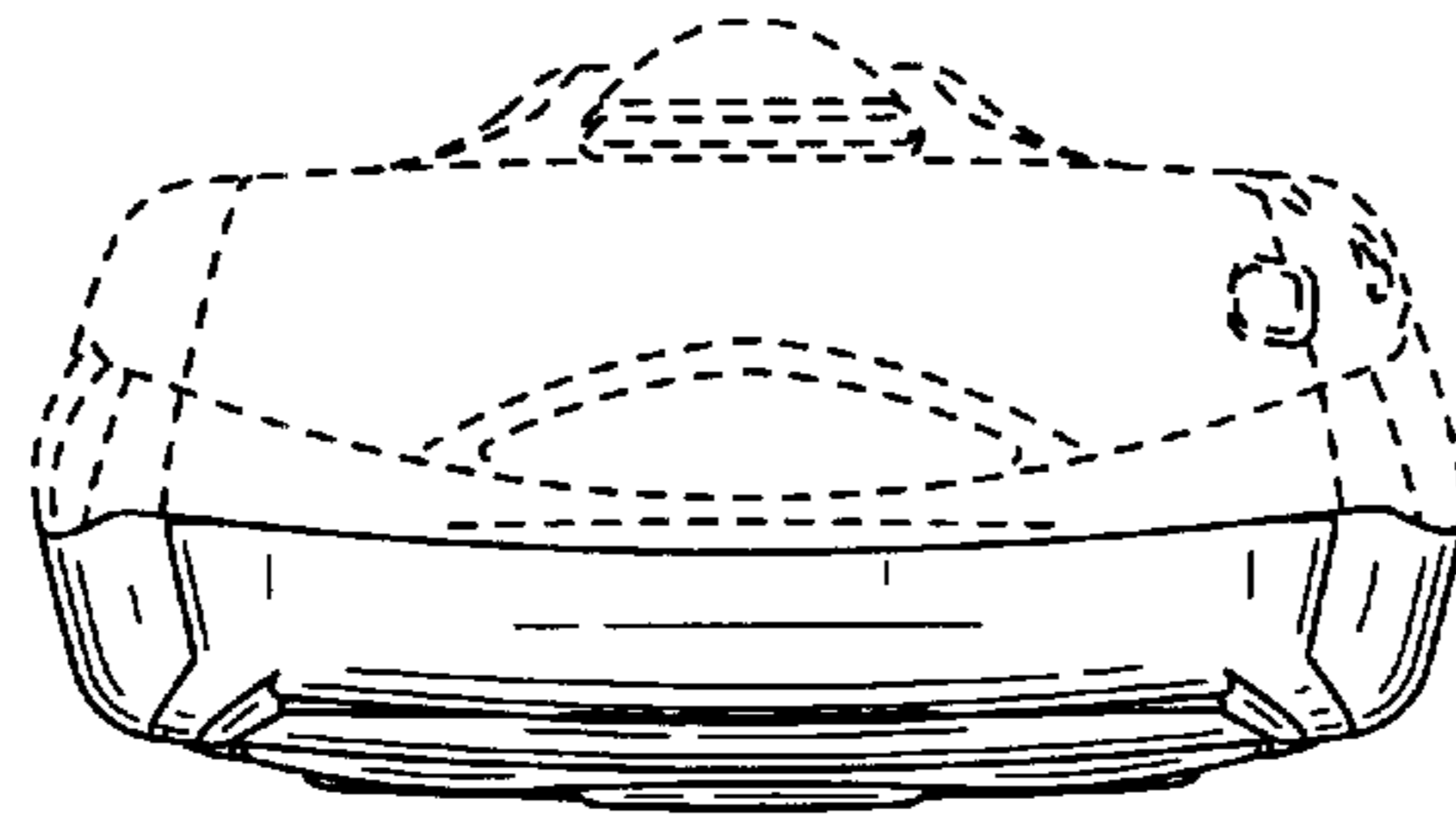


FIG. 3

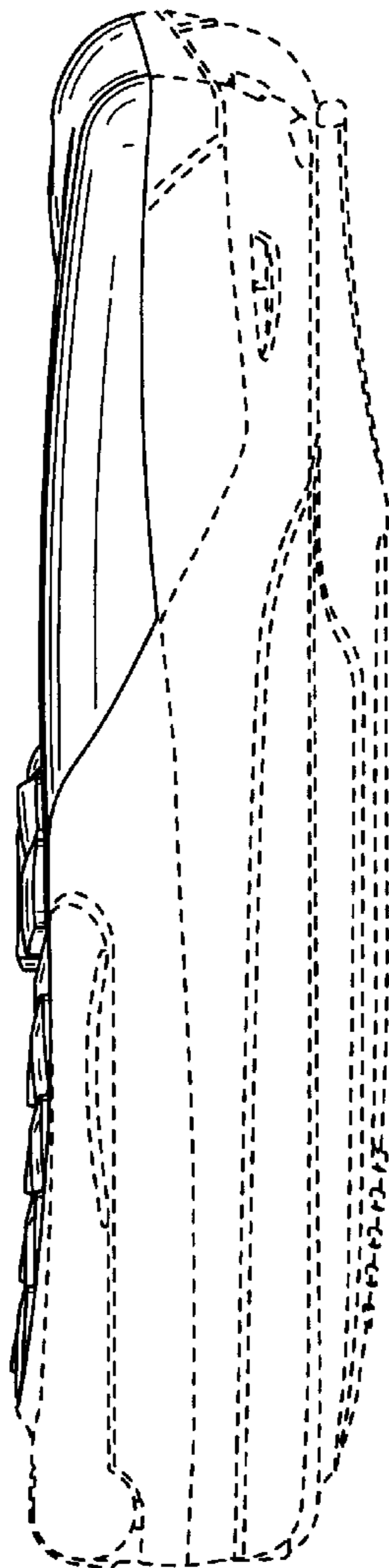


FIG. 4

UNITED STATES PATENT AND TRADEMARK OFFICE
CERTIFICATE OF CORRECTION

PATENT NO. : Des. 501,470 S
DATED : February 1, 2005
INVENTOR(S) : William Yau et al.

Page 1 of 1

It is certified that error appears in the above-identified patent and that said Letters Patent is hereby corrected as shown below:

Title page.

Item [75], Inventors, "**Todd Woods**" has been replaced with -- **Todd Wood** --.

Signed and Sealed this

Nineteenth Day of July, 2005

A handwritten signature in black ink, reading "Jon W. Dudas". The signature is written in a cursive style with a large, looped initial "J".

JON W. DUDAS

Director of the United States Patent and Trademark Office