

US00D501468S

(12) **United States Design Patent**
Wang

(10) **Patent No.:** **US D501,468 S**
(45) **Date of Patent:** **** Feb. 1, 2005**

- (54) **ANTENNA**
- (75) **Inventor:** **Cheng-Si Wang**, Changhua Hsien (TW)
- (73) **Assignee:** **Trans Electric Co., Ltd.**, Changhua Hsien (TW)
- (**) **Term:** **14 Years**
- (21) **Appl. No.:** **29/199,686**
- (22) **Filed:** **Feb. 18, 2004**
- (51) **LOC (7) Cl.** **14-03**
- (52) **U.S. Cl.** **D14/235**
- (58) **Field of Search** D14/137, 138, D14/230-238, 299, 358; D12/42, 43; 343/700 R-705, 871-908, 795, 840, 711-713, 819, 846; 455/90.2, 90.3, 91, 347, 128, 269, 344, 562.1

(56) **References Cited**
U.S. PATENT DOCUMENTS

- D376,593 S * 12/1996 Riggs D14/137
- 5,764,194 A * 6/1998 Brown 343/726
- D414,777 S * 10/1999 Tsai D14/230
- D449,593 S * 10/2001 Schultz D14/235
- D480,713 S * 10/2003 Wang D14/235

D480,714 S * 10/2003 Wang D14/235

* cited by examiner

Primary Examiner—Louis S. Zarfes
Assistant Examiner—John Windmuller
(74) *Attorney, Agent, or Firm*—Alan D. Kamrath; Nikolai & Mersereau, P.A.

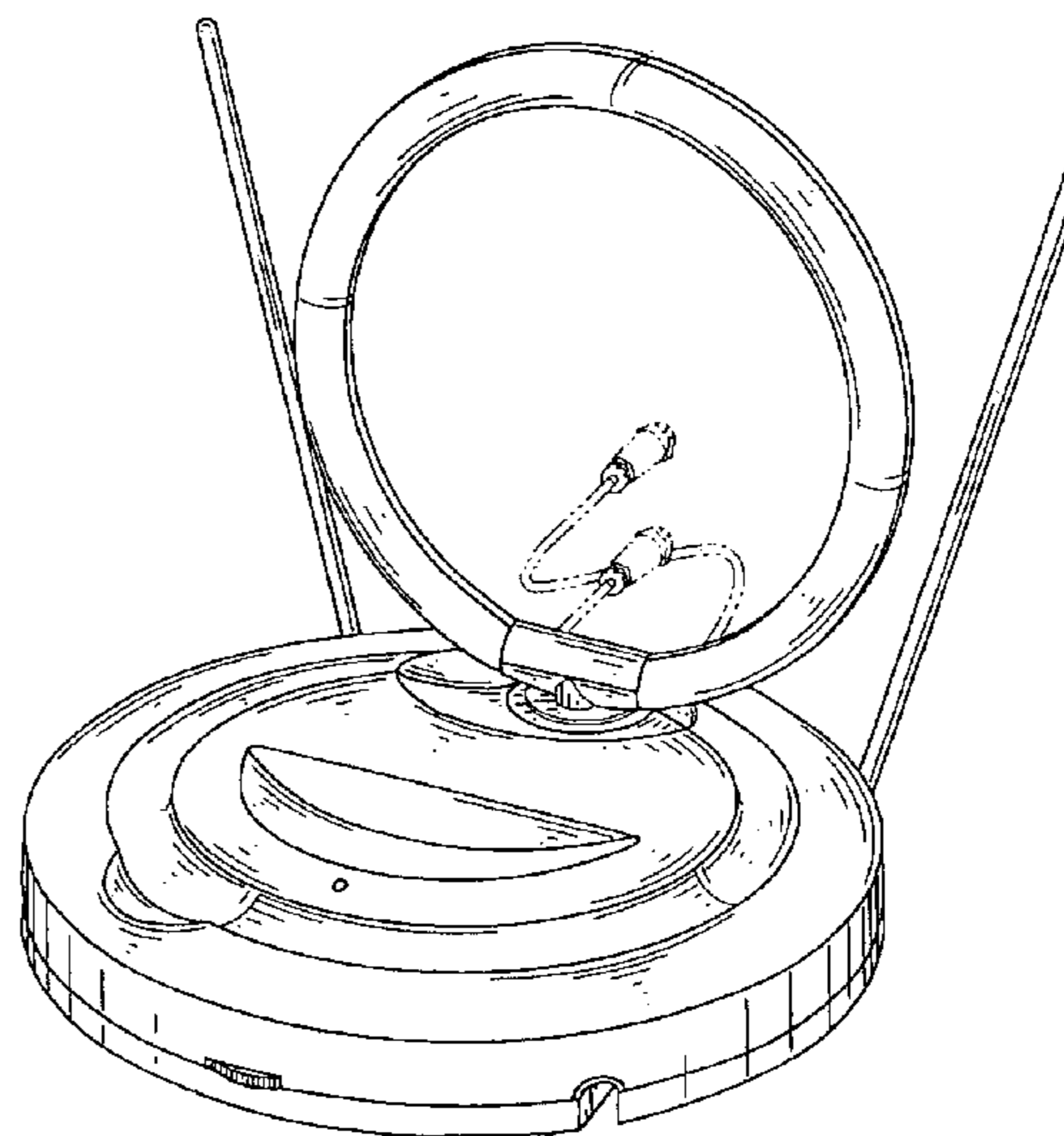
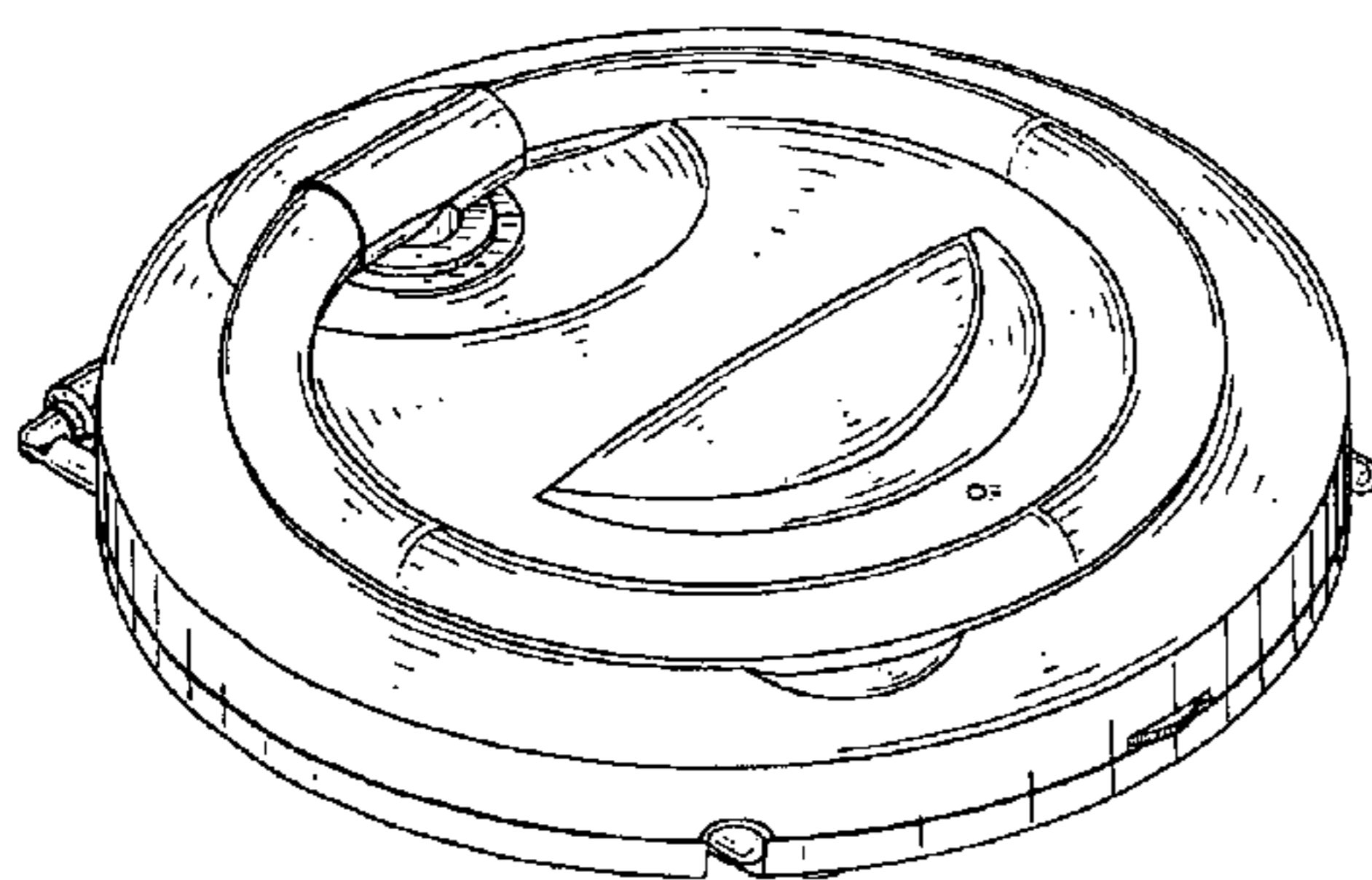
(57) **CLAIM**

The ornamental design for an antenna, as shown and described.

DESCRIPTION

FIG. 1 is a perspective view of an antenna, showing my new design;
FIG. 2 is a front elevational view thereof;
FIG. 3 is a rear elevational view thereof;
FIG. 4 is a left side elevational view thereof;
FIG. 5 is a right side elevational view thereof;
FIG. 6 is a top plan view thereof; and
FIG. 7 is a bottom plan view thereof; and,
FIG. 8 is a perspective view showing an embodiment of the claimed design in open position, wherein the broken lines are shown for illustrative purposes only and form no part of the claimed design.

1 Claim, 6 Drawing Sheets



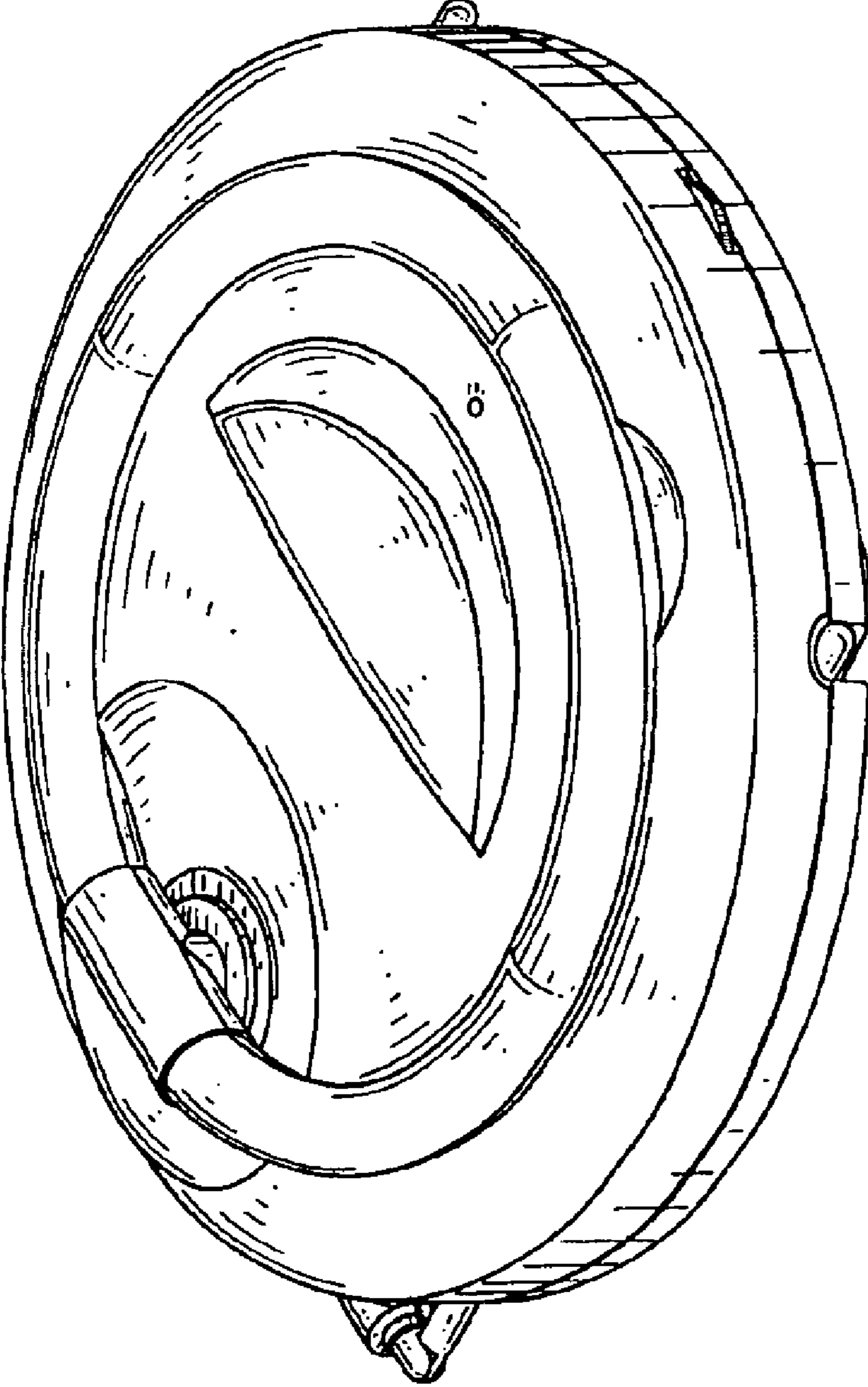


FIG. 1

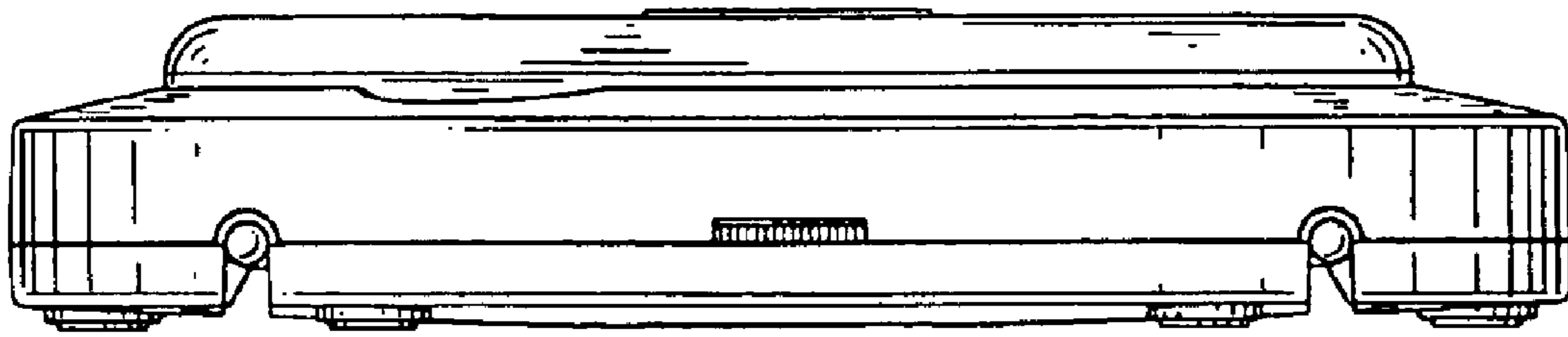


FIG. 2

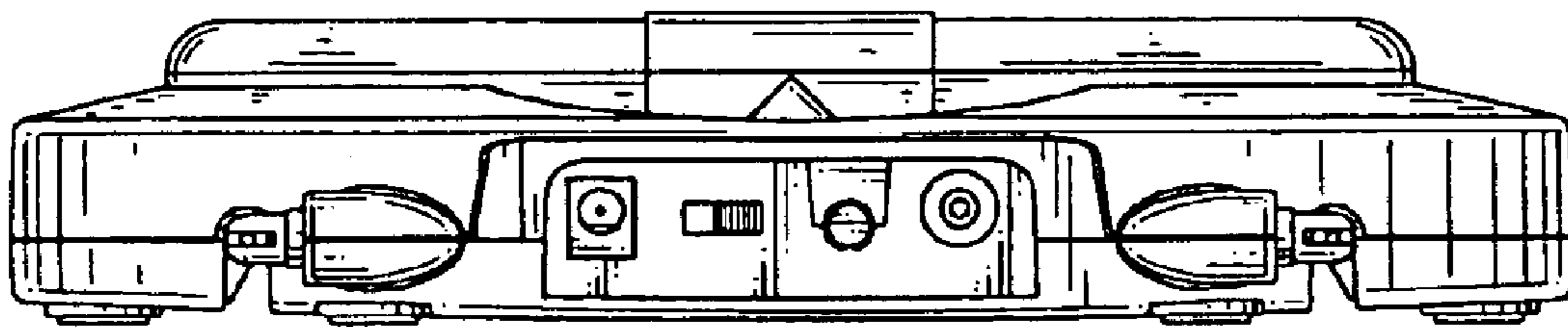


FIG. 3

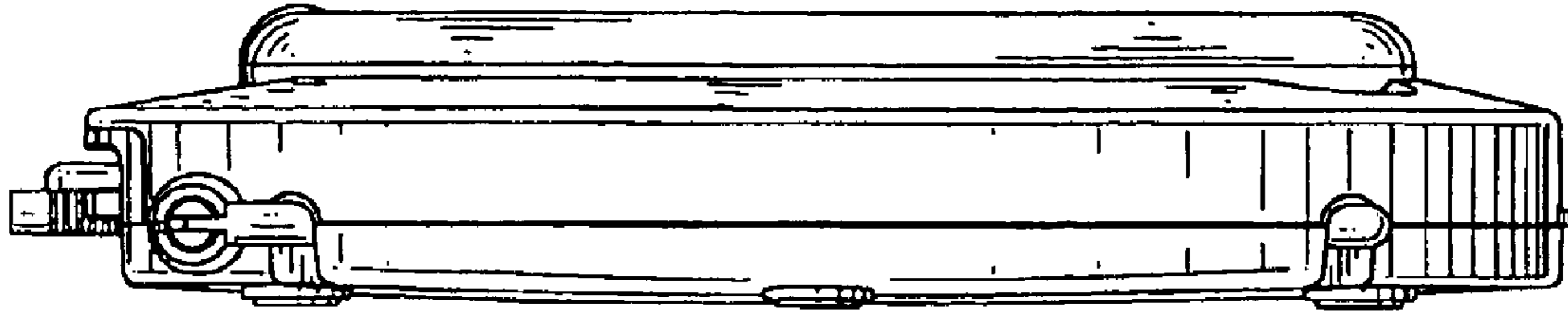


FIG. 4

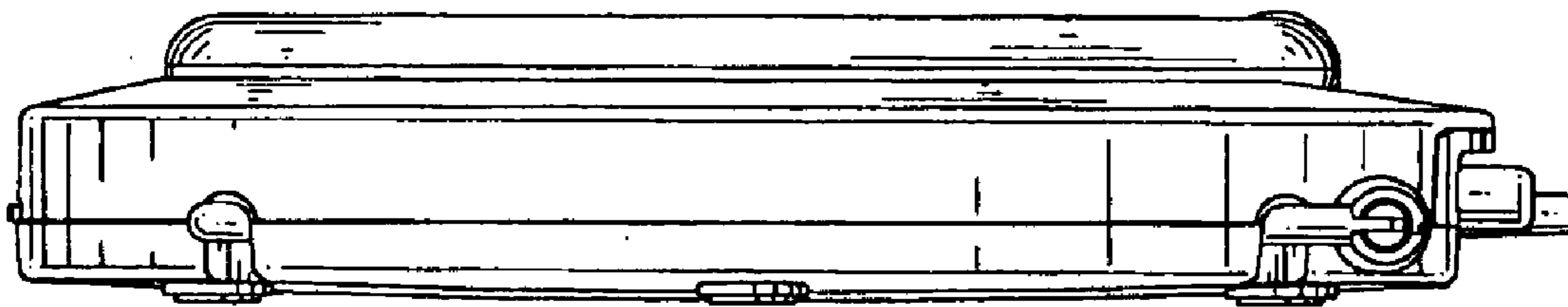


FIG. 5

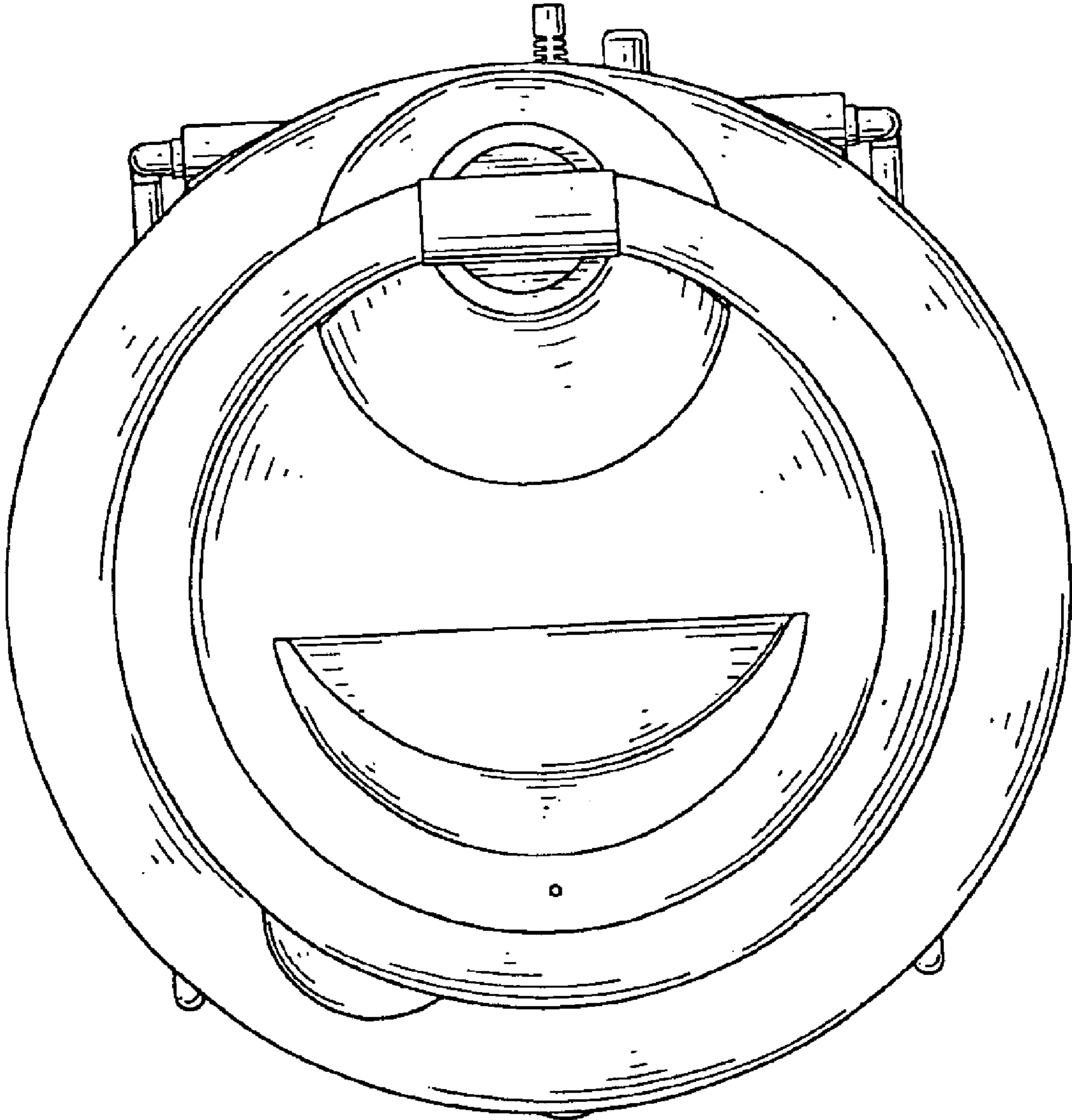


FIG. 6

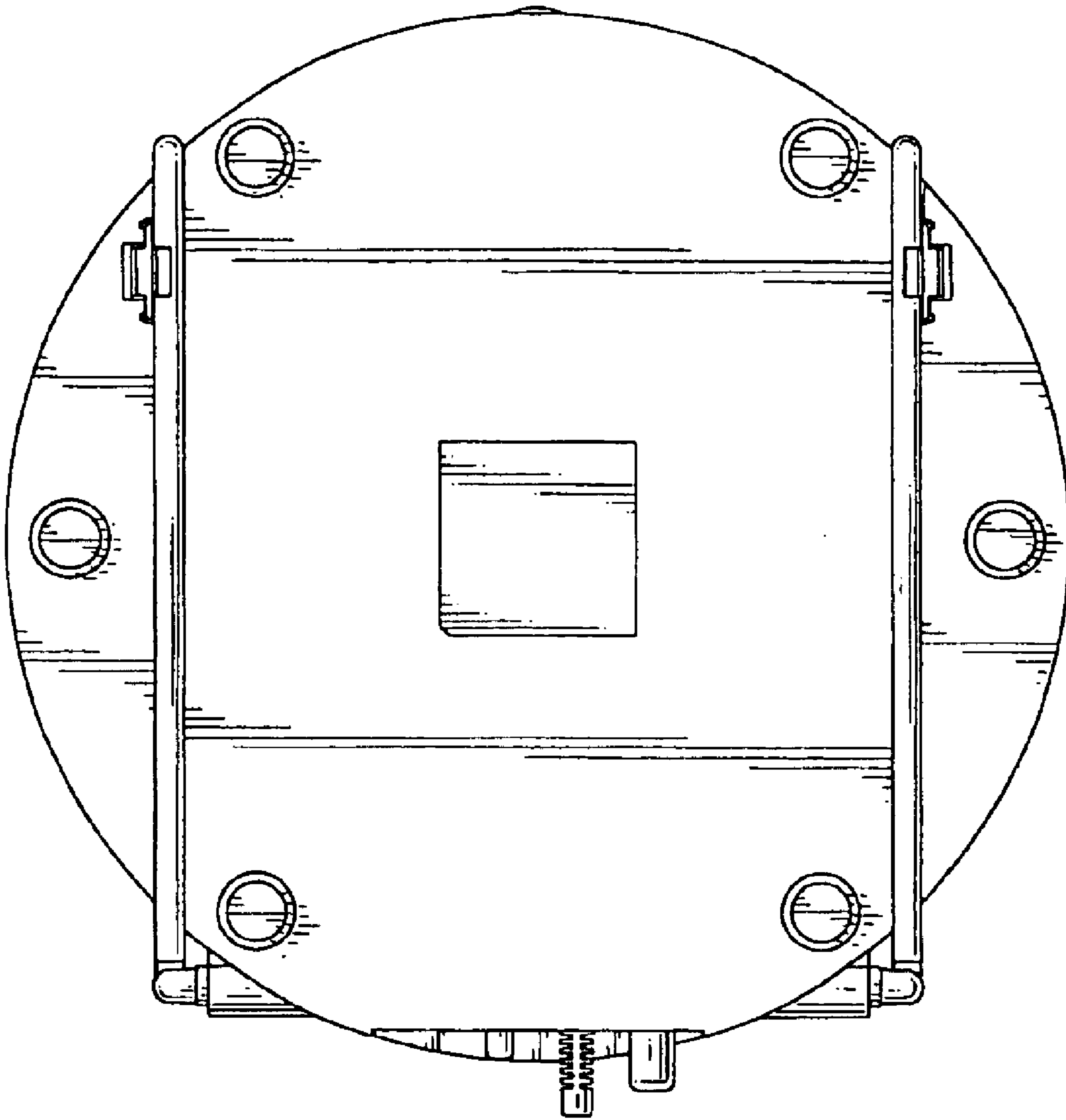


FIG. 7

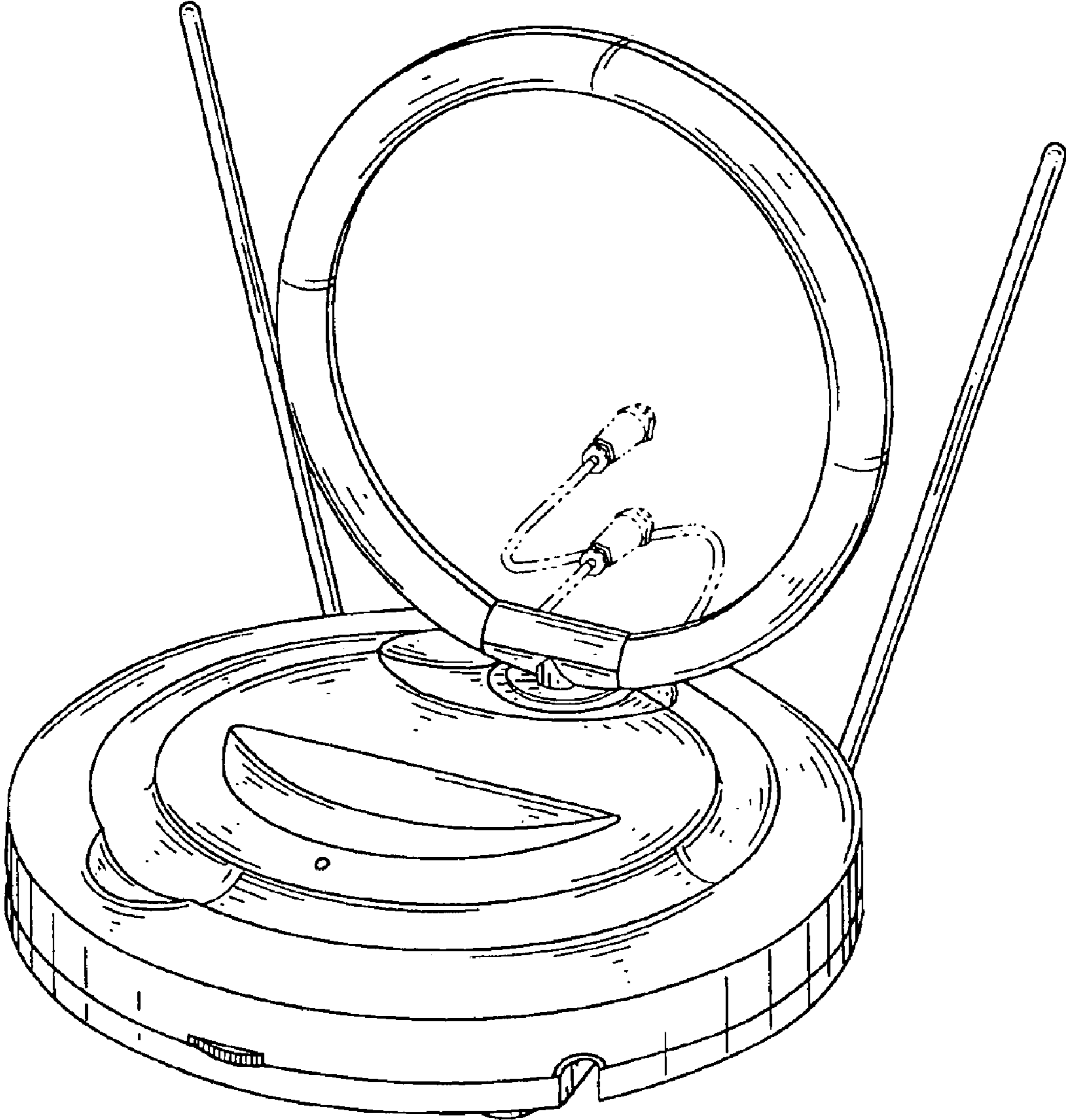


FIG. 8