

US00D501466S

(12) **United States Design Patent**
Charlot, Jr.

(10) **Patent No.:** **US D501,466 S**
(45) **Date of Patent:** **** Feb. 1, 2005**

(54) **ANTENNA WITH SQUARE-SHAPED CENTER**

6,323,821 B1 * 11/2001 McLean 343/795
D493,448 S * 7/2004 Charlot, Jr. D14/234

(75) Inventor: **Lincoln H. Charlot, Jr.**, St. Petersburg, FL (US)

* cited by examiner

(73) Assignee: **X Link Enterprises, Inc.**, Largo, FL (US)

Primary Examiner—Louis S. Zarfes
Assistant Examiner—John Windmuller
(74) *Attorney, Agent, or Firm*—Larson & Larson, PA; Herbert W. Larson

(**) Term: **14 Years**

(57) **CLAIM**

(21) Appl. No.: **29/188,796**

The ornamental design for an antenna with square-shaped center, as shown and described.

(22) Filed: **Aug. 22, 2003**

DESCRIPTION

(51) **LOC (7) Cl.** **14-03**

(52) **U.S. Cl.** **D14/235**

(58) **Field of Search** D14/137, 138, D14/230-238, 299, 358; D12/42, 43; 343/700 R-705, 871-908, 795, 840, 711-713, 819, 846; 455/90.2, 90.3, 91, 347, 128, 269, 344, 562.1

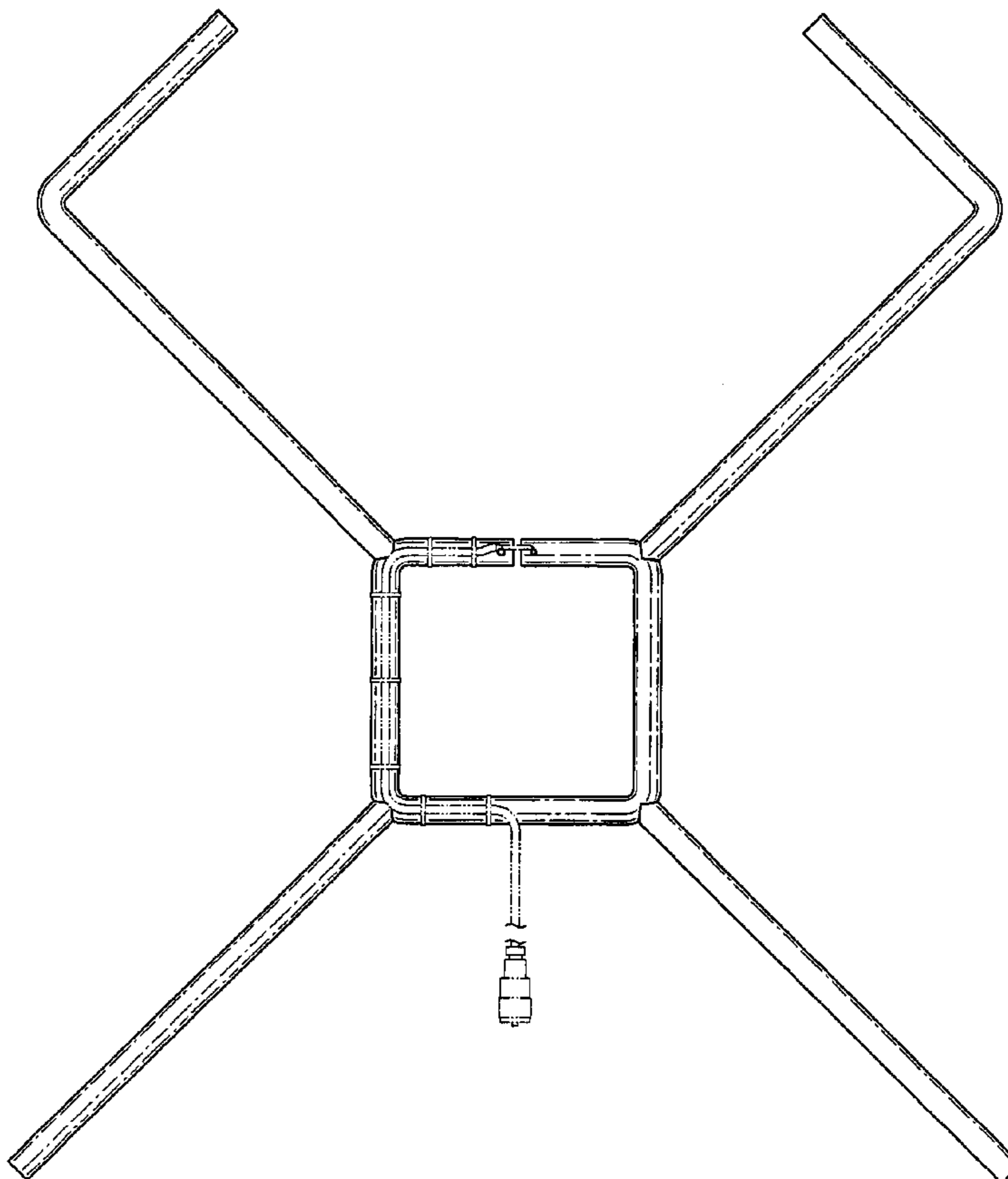
FIG. 1 is a front elevational view of an antenna with square-shaped center showing my novel design; FIG. 2 is a rear elevational view thereof; FIG. 3 is a left side view thereof; FIG. 4 is a right side view thereof; FIG. 5 is a top plan view thereof; FIG. 6 is a bottom plan view thereof; and, FIG. 7 is a perspective view of an antenna with square-shaped center of the present invention. The broken lines shown in FIGS. 1 and 7 are for illustrative purposes only and forms no part of the overall claimed design.

(56) **References Cited**

U.S. PATENT DOCUMENTS

2,664,507 A * 12/1953 Mural 343/795
2,665,380 A * 1/1954 Hickson et al. 343/795
3,389,395 A * 6/1968 Lejkowski, Sr. 343/743
D244,470 S * 5/1977 Bogner D14/236

1 Claim, 5 Drawing Sheets



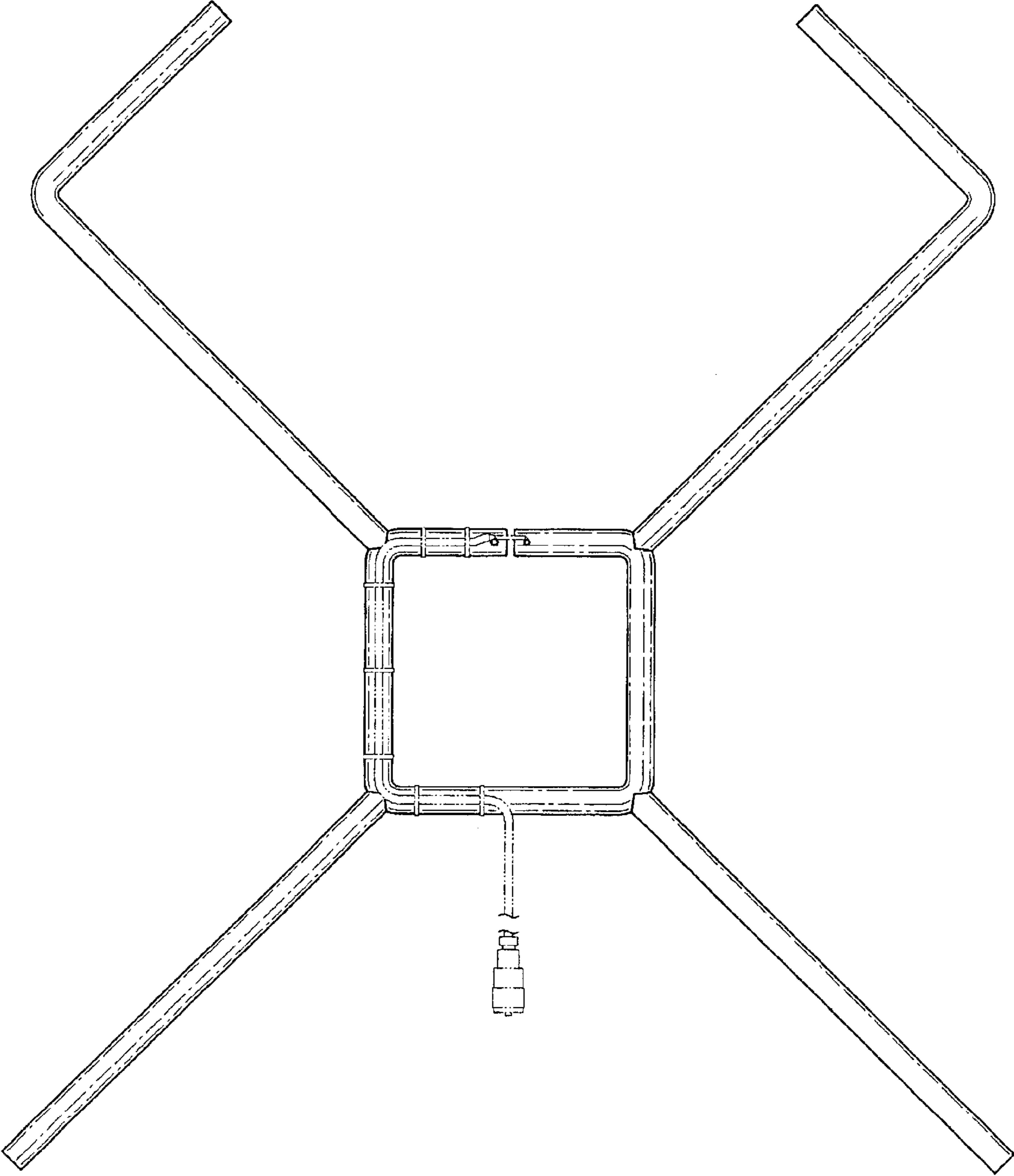


FIG. 1

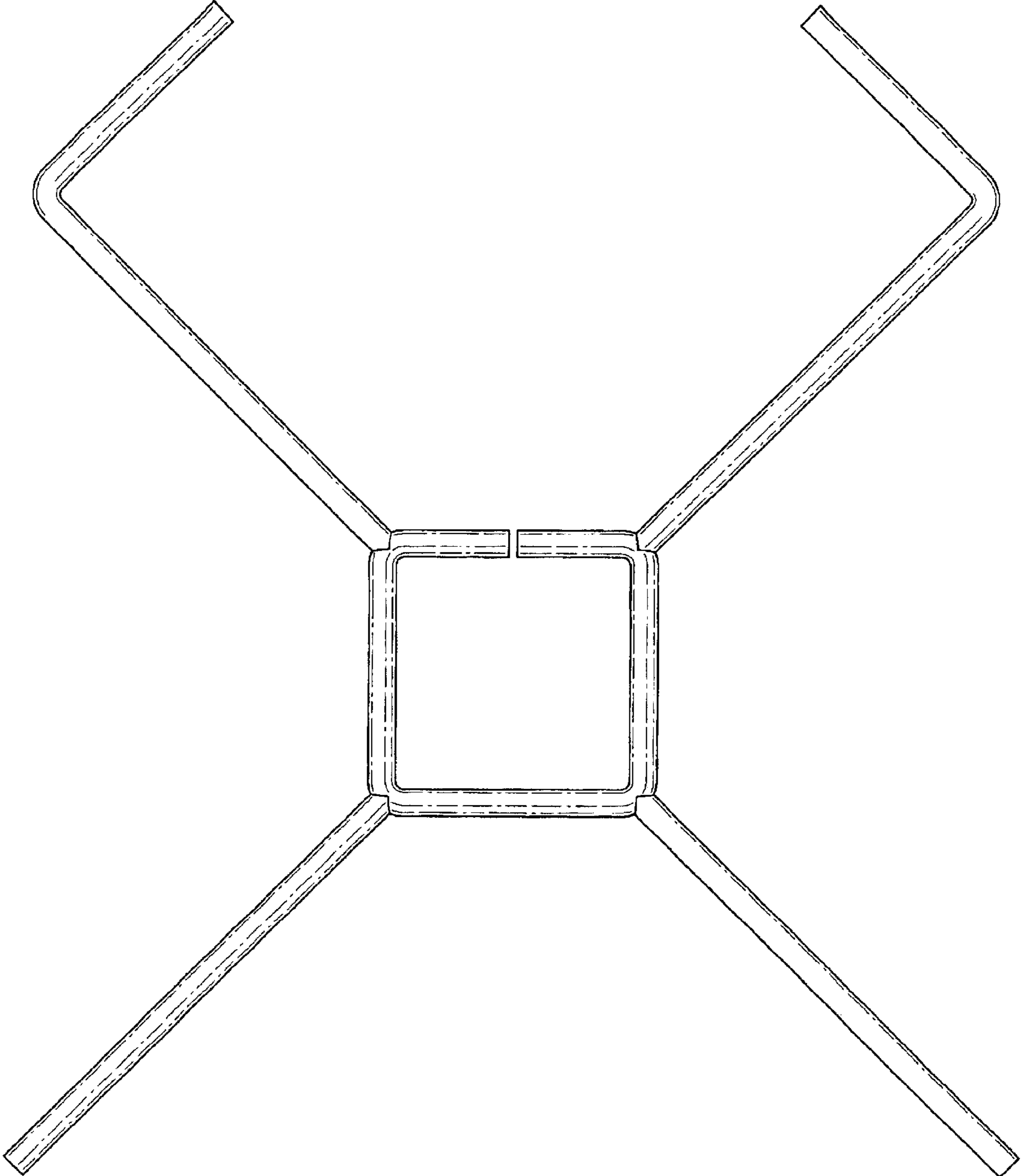


FIG. 2

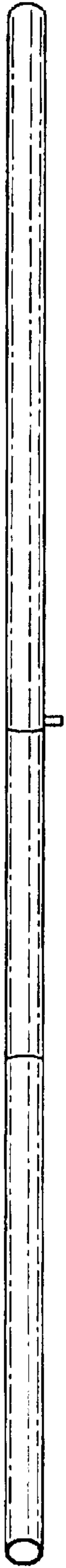


FIG. 3



FIG. 4



FIG. 5

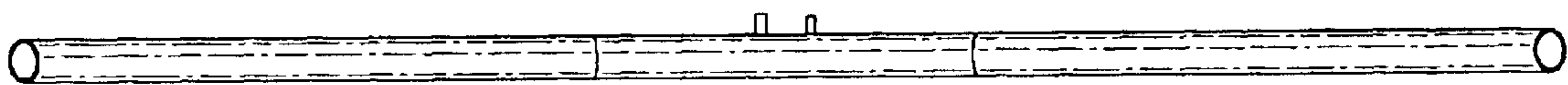


FIG. 6

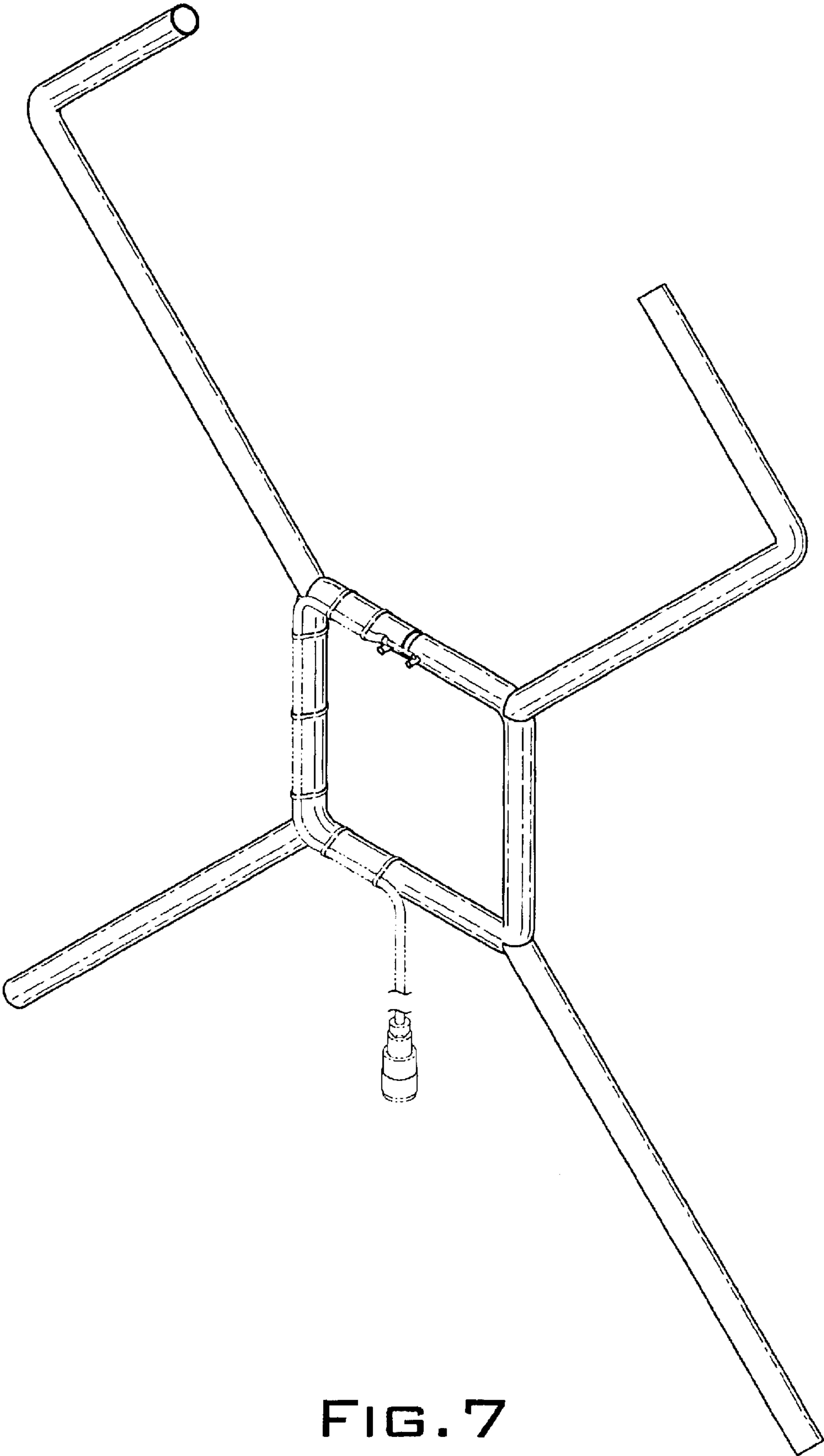


FIG. 7