

US00D501465S

(12) **United States Design Patent**
Charlot, Jr.

(10) **Patent No.:** **US D501,465 S**
(45) **Date of Patent:** **** Feb. 1, 2005**

(54) **ANTENNA WITH OCTAGON-SHAPED CENTER**

6,542,132 B2 * 4/2003 Stern 343/915
D493,448 S * 7/2004 Charlot, Jr. D14/234
6,774,863 B2 * 8/2004 Shirosaka et al. 343/797

(75) **Inventor:** **Lincoln H. Charlot, Jr.**, St. Petersburg, FL (US)

* cited by examiner

(73) **Assignee:** **X Link Enterprises, Inc.**, Largo, FL (US)

Primary Examiner—Louis S. Zarfaz
Assistant Examiner—John Windmuller
(74) *Attorney, Agent, or Firm*—Larson & Larson, PA; Herbert W. Larson

(**) **Term:** **14 Years**

(21) **Appl. No.:** **29/188,794**

(22) **Filed:** **Aug. 22, 2003**

(57) **CLAIM**

The ornamental design for an antenna with octagon-shaped center, as shown and described.

(51) **LOC (7) Cl.** **14-03**

(52) **U.S. Cl.** **D14/235**

(58) **Field of Search** D14/137, 138, D14/230-238, 299, 358; D12/42, 43; 343/700 R-705, 871-908, 795, 840, 711-713, 819, 846; 455/90.2, 90.3, 91, 347, 128, 269, 344, 562.1

DESCRIPTION

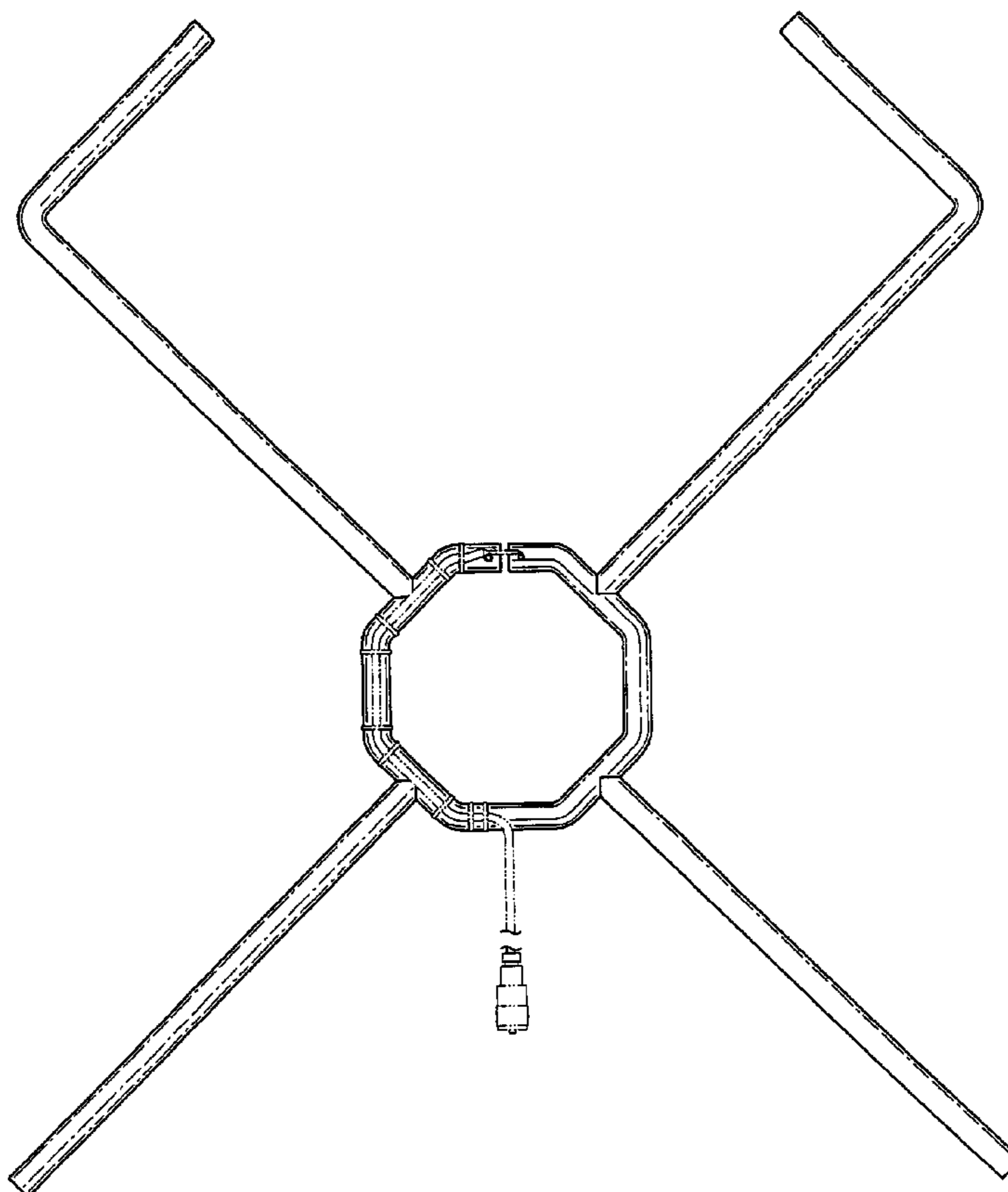
FIG. 1 is a front elevational view of an antenna with octagon-shaped center showing my novel design; FIG. 2 is a rear elevational view thereof; FIG. 3 is a left side view thereof; FIG. 4 is a right side view thereof; FIG. 5 is a top plan view thereof; FIG. 6 is a bottom plan view thereof; and, FIG. 7 is a perspective view of an antenna with octagon-shaped center of the present invention. The broken lines shown in FIGS. 1 and 7 are for illustrative purposes only and forms no part of the overall claimed design.

(56) **References Cited**

U.S. PATENT DOCUMENTS

2,665,380 A * 1/1954 Hickson et al. 343/795
4,240,080 A * 12/1980 Woodward 343/817
4,506,271 A * 3/1985 Gonzalez 343/915
6,323,821 B1 * 11/2001 McLean 343/795

1 Claim, 5 Drawing Sheets



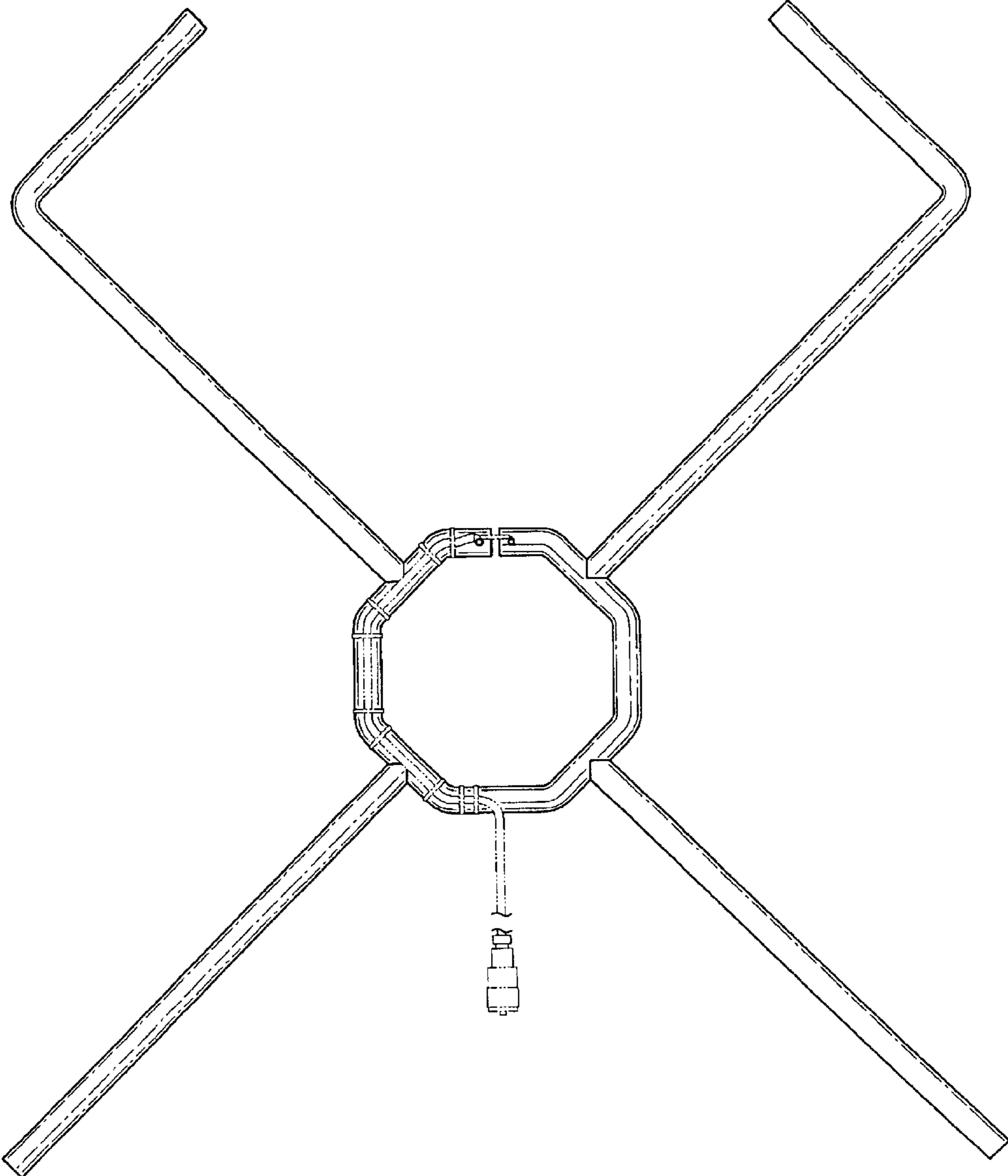


FIG. 1

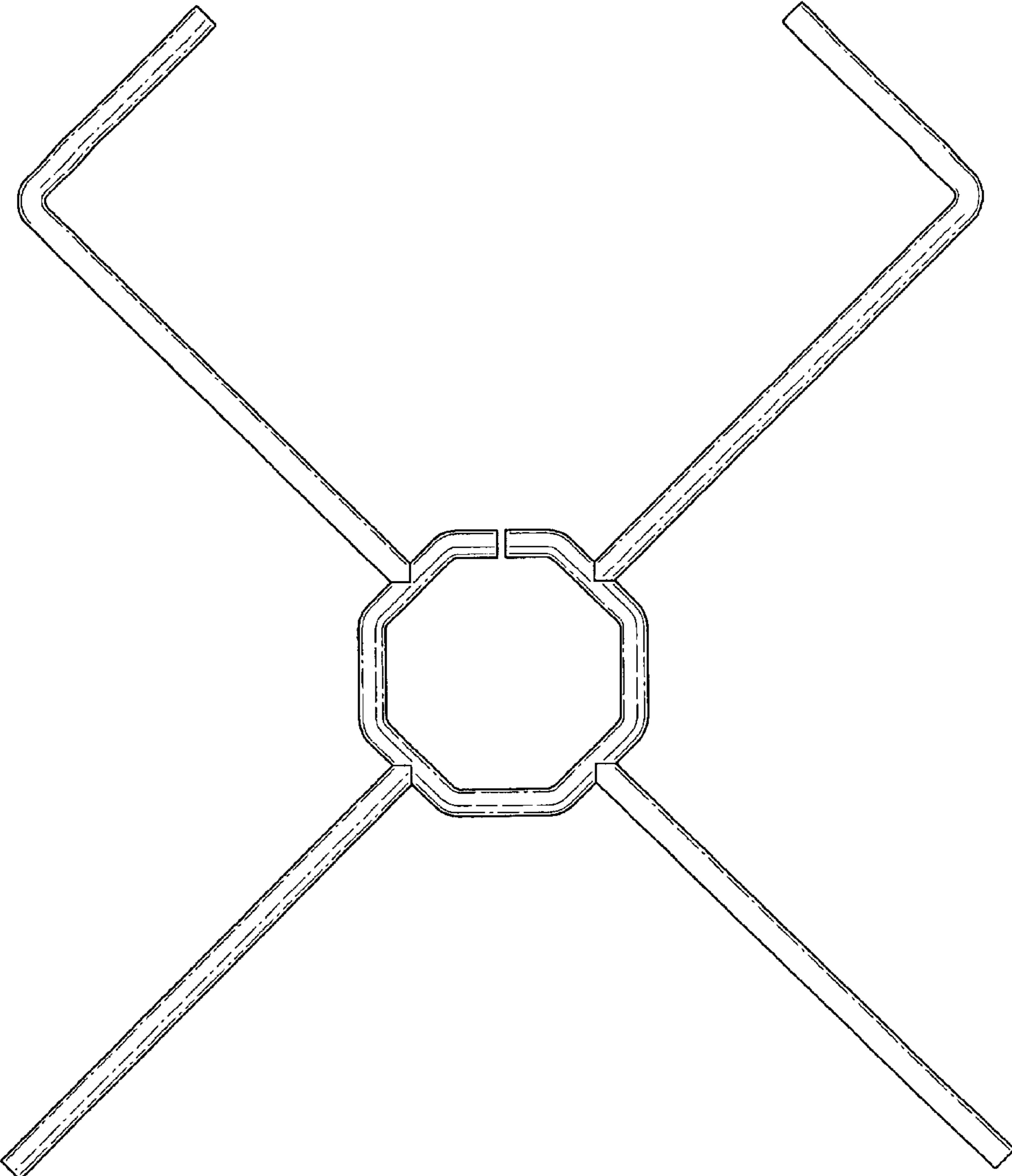


FIG. 2

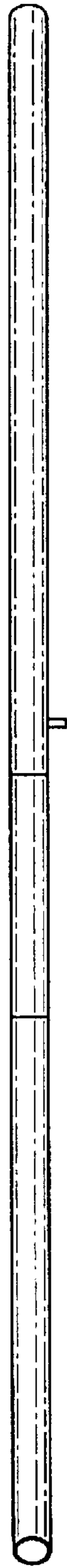


FIG. 3



FIG. 4

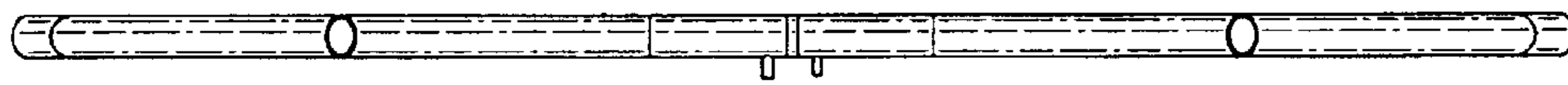


FIG. 5

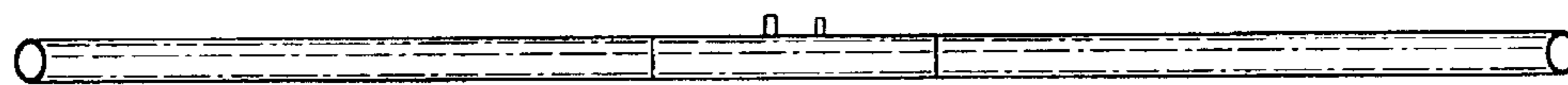


FIG. 6

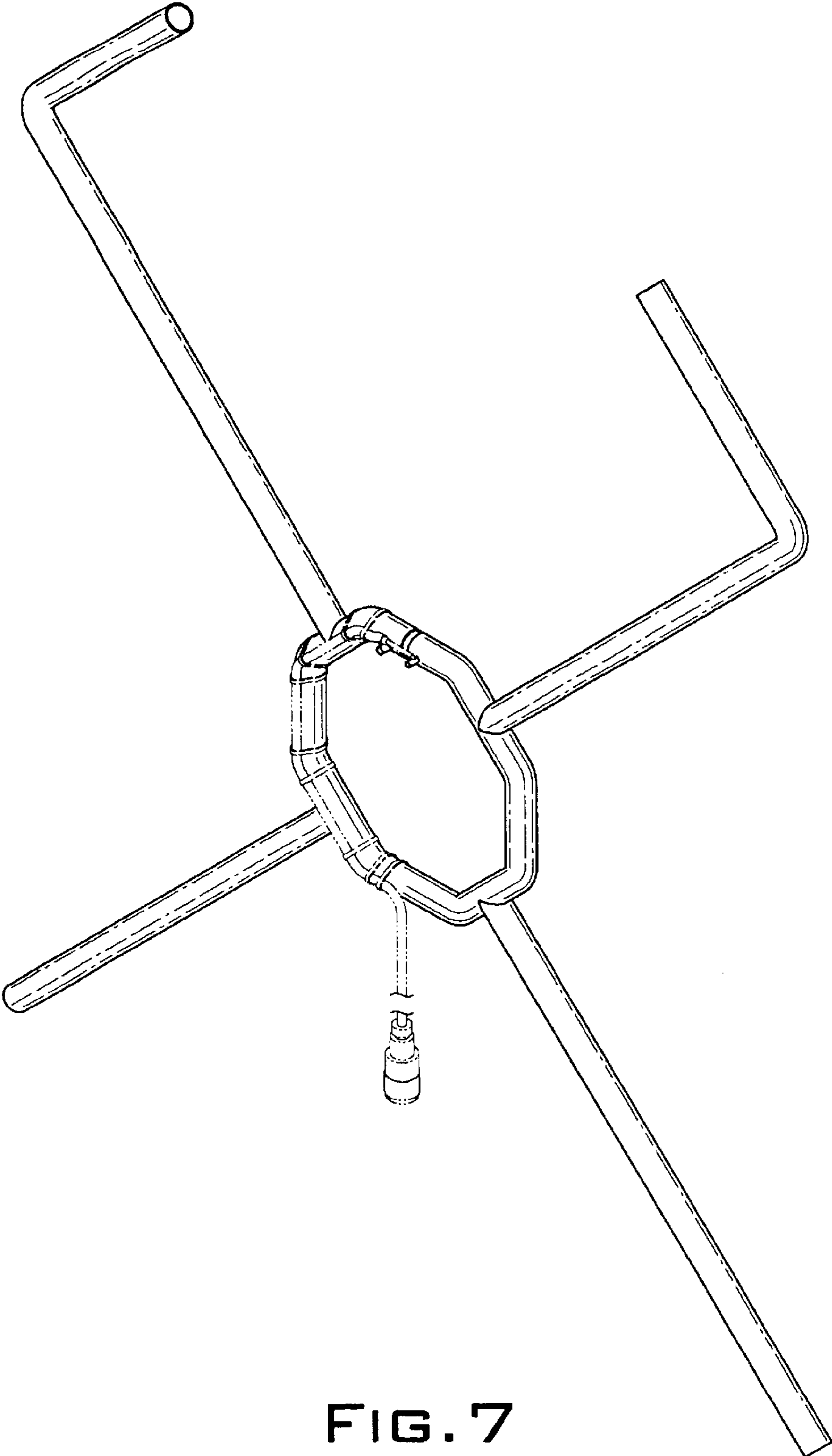


FIG. 7