



US00D501463S

(12) **United States Design Patent**
Hisatsune

(10) **Patent No.:** **US D501,463 S**
(45) **Date of Patent:** **** Feb. 1, 2005**

(54) **REMOTE CONTROLLER**

(75) Inventor: **Toshiyuki Hisatsune**, Tokyo (JP)

(73) Assignee: **Sony Corporation**, Tokyo (JP)

(**) Term: **14 Years**

(21) Appl. No.: **29/189,298**

(22) Filed: **Sep. 3, 2003**

(51) **LOC (7) Cl.** **14-03**

(52) **U.S. Cl.** **D14/218**

(58) **Field of Search** D14/174, 217,
D14/218, 137-139, 151, 191-193, 299,
167, 168; D13/168, 162-164; D21/512-517,
566; D10/104, 106; 455/352-355, 151.1-151.4,
128, 347, 90.3; 348/114, 734

(56) **References Cited**

U.S. PATENT DOCUMENTS

D381,323 S	*	7/1997	Hartman	D14/374
D416,910 S	*	11/1999	Vasquez	D14/218
D473,531 S		4/2003	Kubota		
D478,895 S	*	8/2003	Oikawa	D14/218
D493,148 S	*	7/2004	Shibata et al.	D13/168

OTHER PUBLICATIONS

Web page "RM-AV3000U" <http://www.yodobashi.com/en-joy/search.jsp?dbname=local&key=RM-AV3000U&sub> . . . , 1 sheet, Yodobashi Camera (Aug. 2003).

Web page "AV Watch, AV340" <http://www.watch.impress.co.jp/av/docs/20030207/dev012.htm>, 1 sheet, Archos (Feb. 2003).

* cited by examiner

Primary Examiner—Louis S. Zarfes

Assistant Examiner—John Windmuller

(74) *Attorney, Agent, or Firm*—Rader, Fishman & Grauer PLLC

(57) **CLAIM**

The ornamental design for a remote controller, as shown and described.

DESCRIPTION

FIG. 1 is a perspective view of a remote controller showing my new design;

FIG. 2 is a front elevational view thereof;

FIG. 3 is a rear elevational view thereof;

FIG. 4 is a left side elevational view thereof;

FIG. 5 is a right side elevational view thereof;

FIG. 6 is a top plan view thereof; and,

FIG. 7 is a bottom plan view thereof.

Portions of FIGS. 1, 2, and 4-7 that appear as broken lines are for illustrative purposes only and form no part of the claimed design.

1 Claim, 4 Drawing Sheets

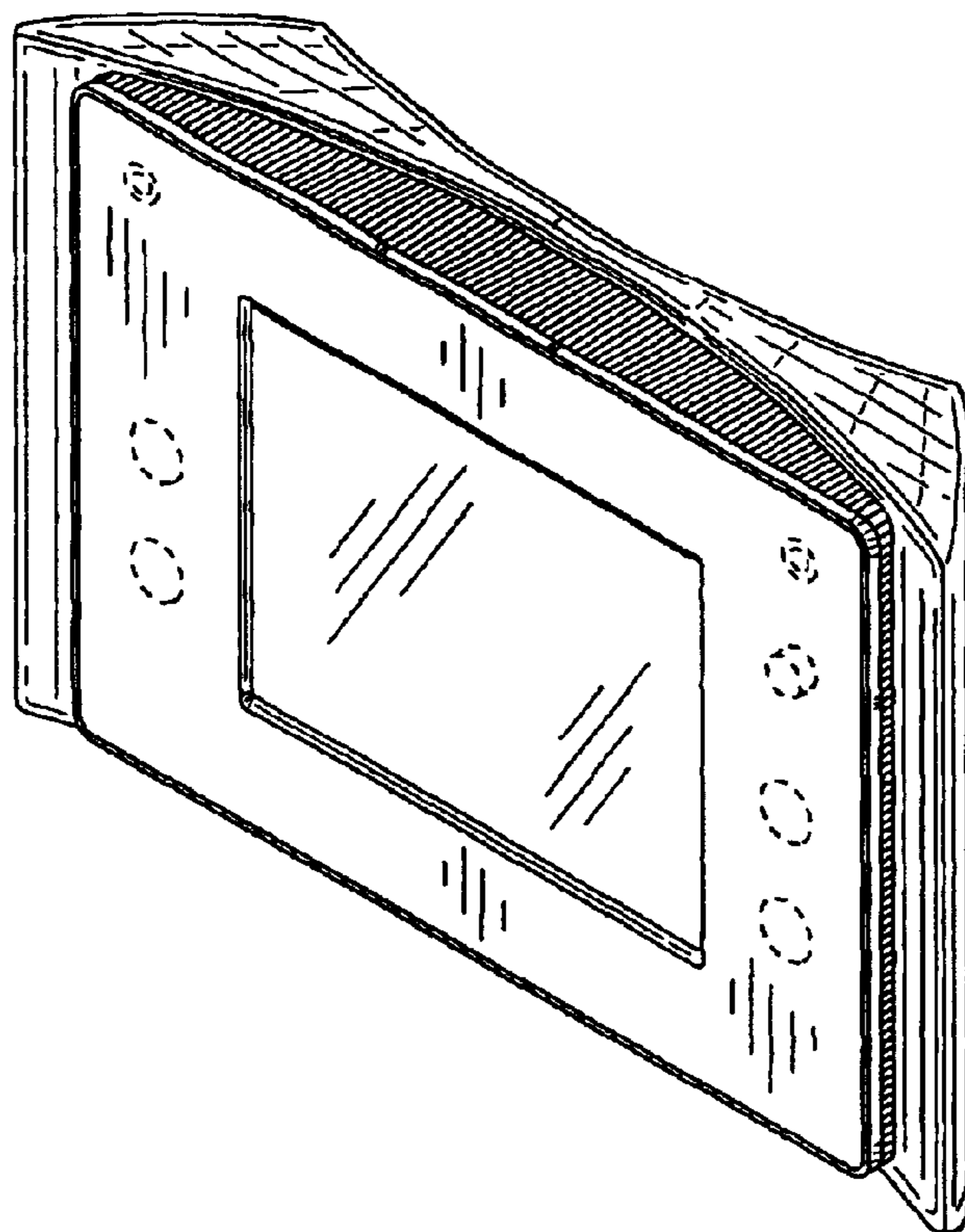


FIG. 1

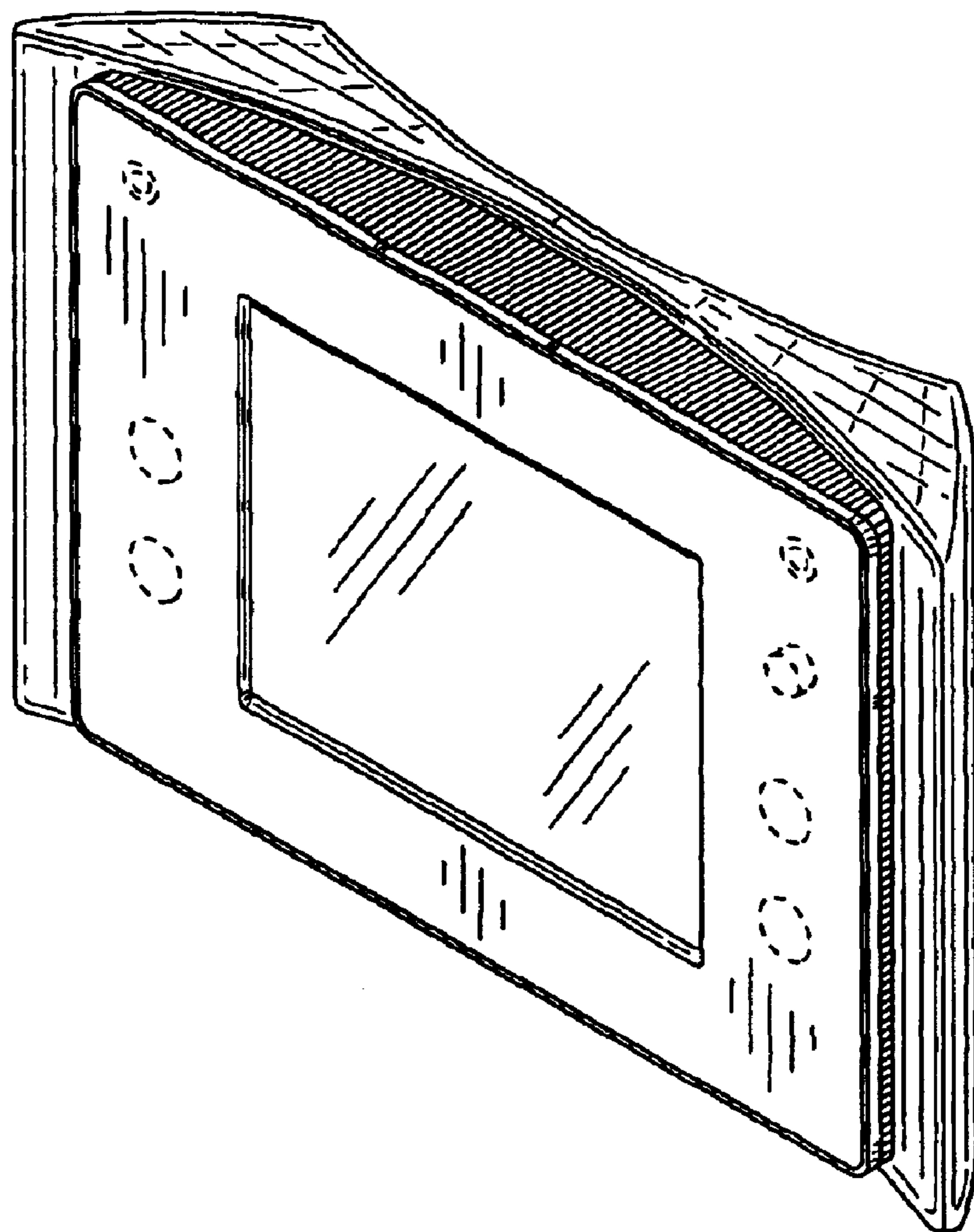


FIG.2

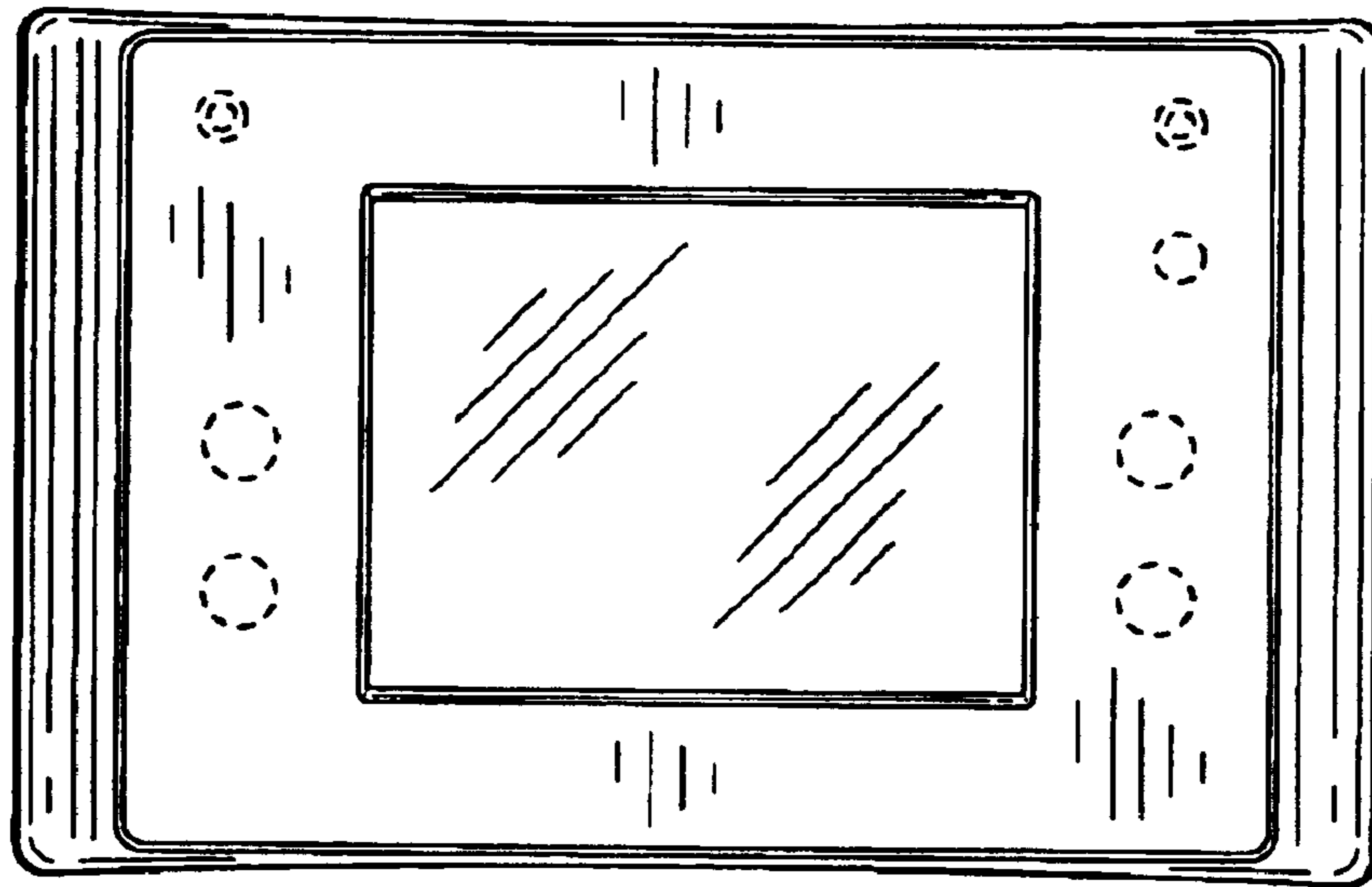


FIG.3

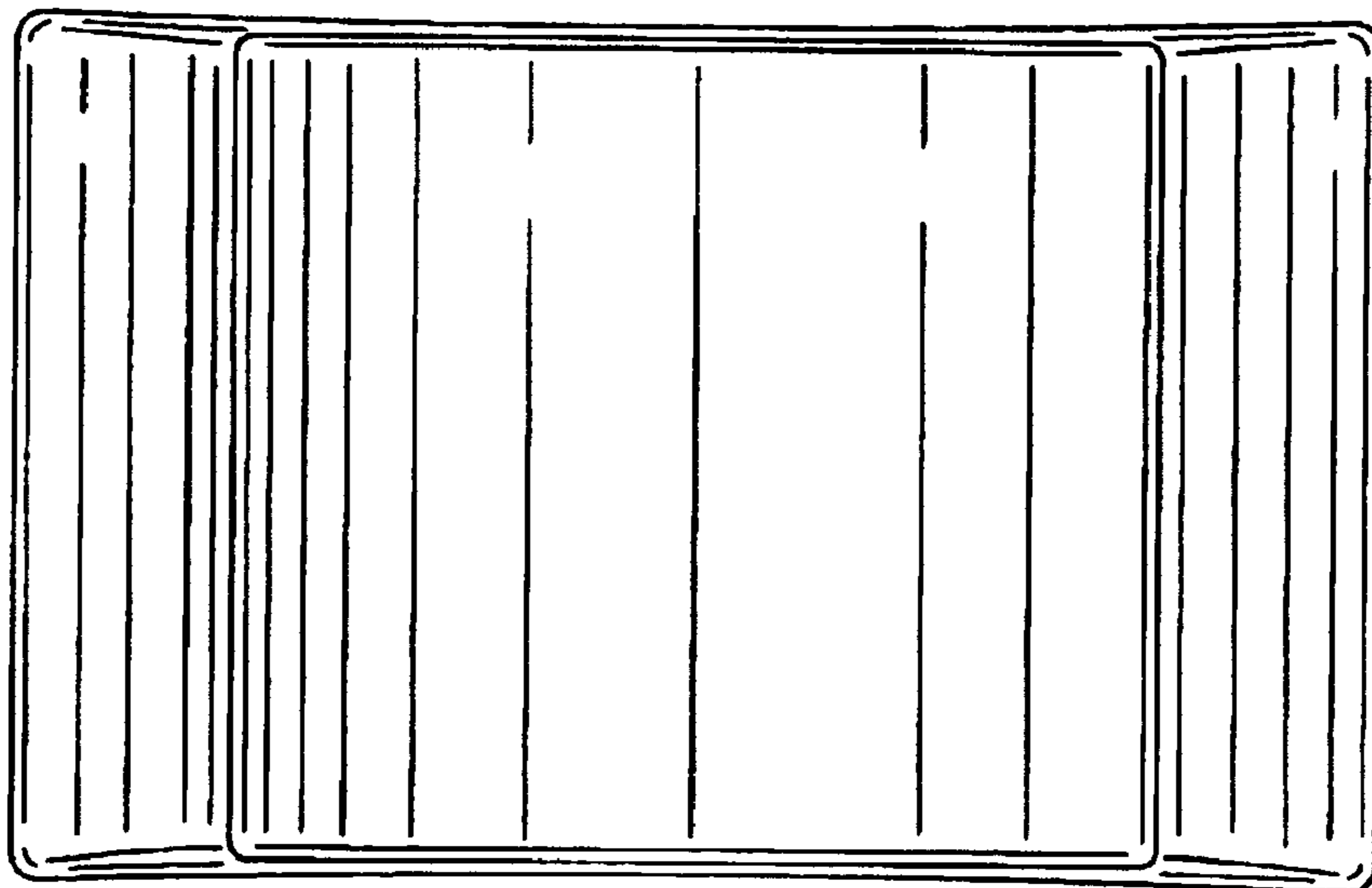


FIG.4

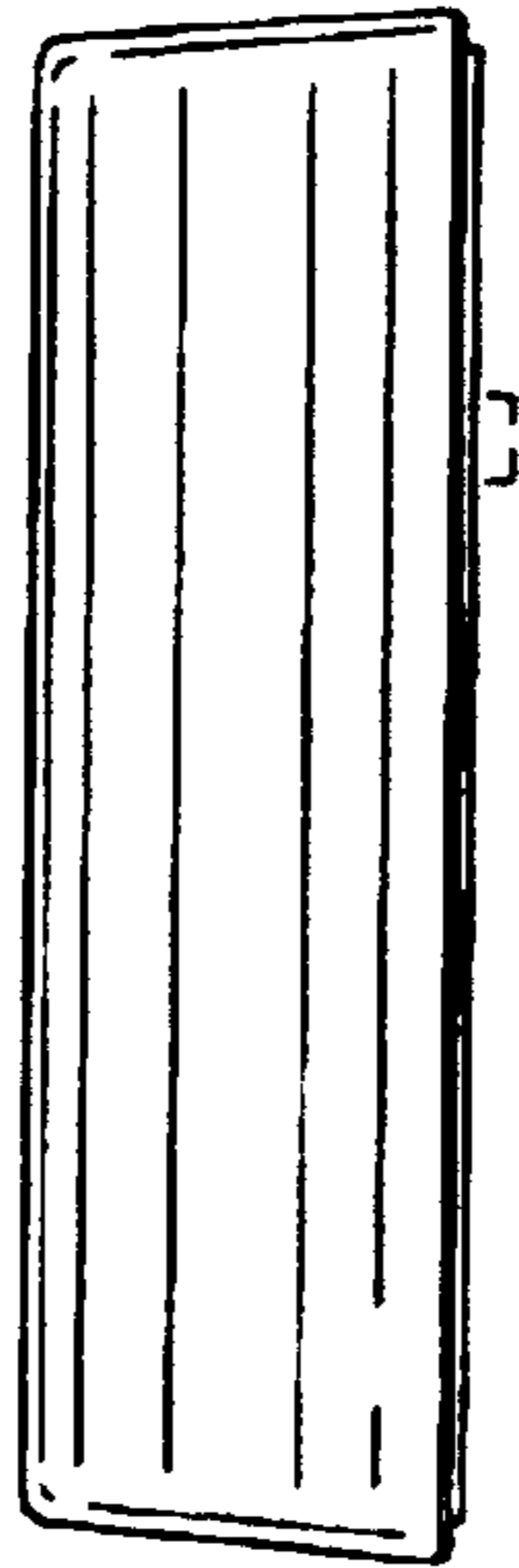


FIG.5

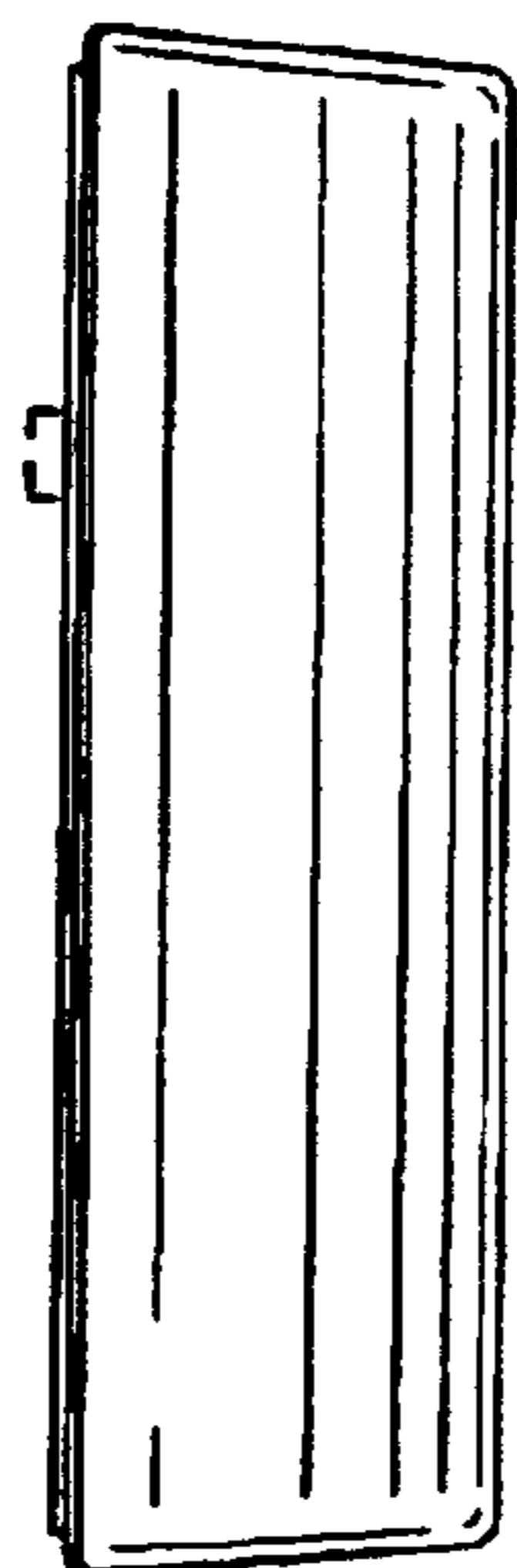


FIG.6

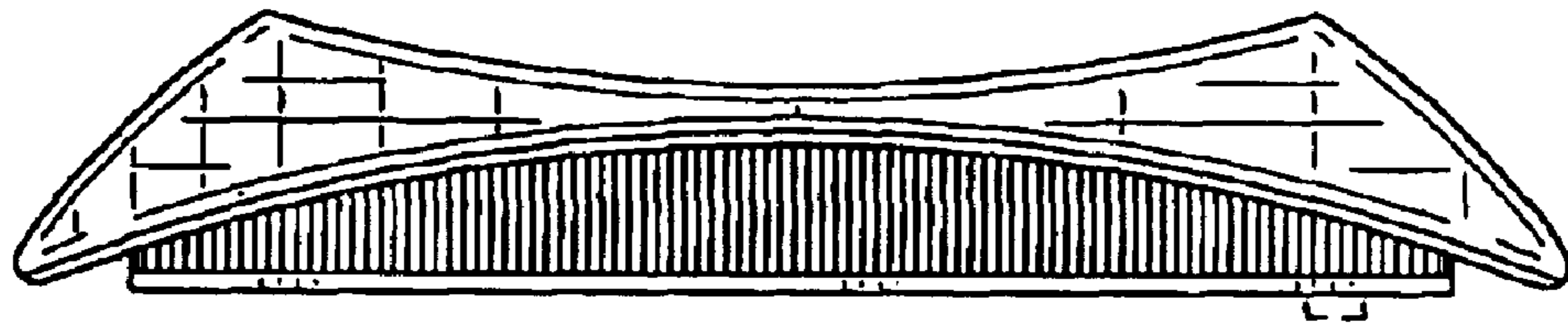


FIG.7

